



US00D691803S

(12) **United States Design Patent**
Chen

(10) **Patent No.:** **US D691,803 S**

(45) **Date of Patent:** **** Oct. 22, 2013**

(54) **TOOLBOX**

(75) Inventor: **Jie-Long Chen**, Taichung (TW)

(73) Assignee: **Hsiu-Hua Chang**, Taichung (TW)

(**) Term: **14 Years**

(21) Appl. No.: **29/429,477**

(22) Filed: **Aug. 11, 2012**

(51) **LOC (9) Cl.** **03-01**

(52) **U.S. Cl.**
USPC **D3/294**

(58) **Field of Classification Search**
USPC D3/234, 255, 271.9, 320, 256, 262, 279,
D3/299, 301, 303, 318, 319, 273, 289, 292,
D3/294-296, 232, 244, 228; D9/424, 420;
D27/189; 206/349; 220/833; 312/902;
190/100; 150/100, 107, 118, 159, 160,
150/163

See application file for complete search history.

(56) **References Cited**

U.S. PATENT DOCUMENTS

3,426,890 A * 2/1969 Bayer 206/379
D315,057 S * 3/1991 Bridges D3/295
D418,297 S * 1/2000 Budert D3/295
6,283,291 B1 * 9/2001 Vasudeva et al. 206/373

D449,165 S * 10/2001 van der Hulst D3/294
D477,464 S * 7/2003 Cang D3/295
D498,925 S * 11/2004 Chen D3/294
D526,064 S * 8/2006 Wood D24/229
D578,307 S * 10/2008 Chan et al. D3/295
D581,668 S * 12/2008 Volkel D3/294
D609,007 S * 2/2010 Volkel D3/269
D610,348 S * 2/2010 Volkel D3/269
D640,053 S * 6/2011 Volkel D3/269

* cited by examiner

Primary Examiner — Sandra Snapp

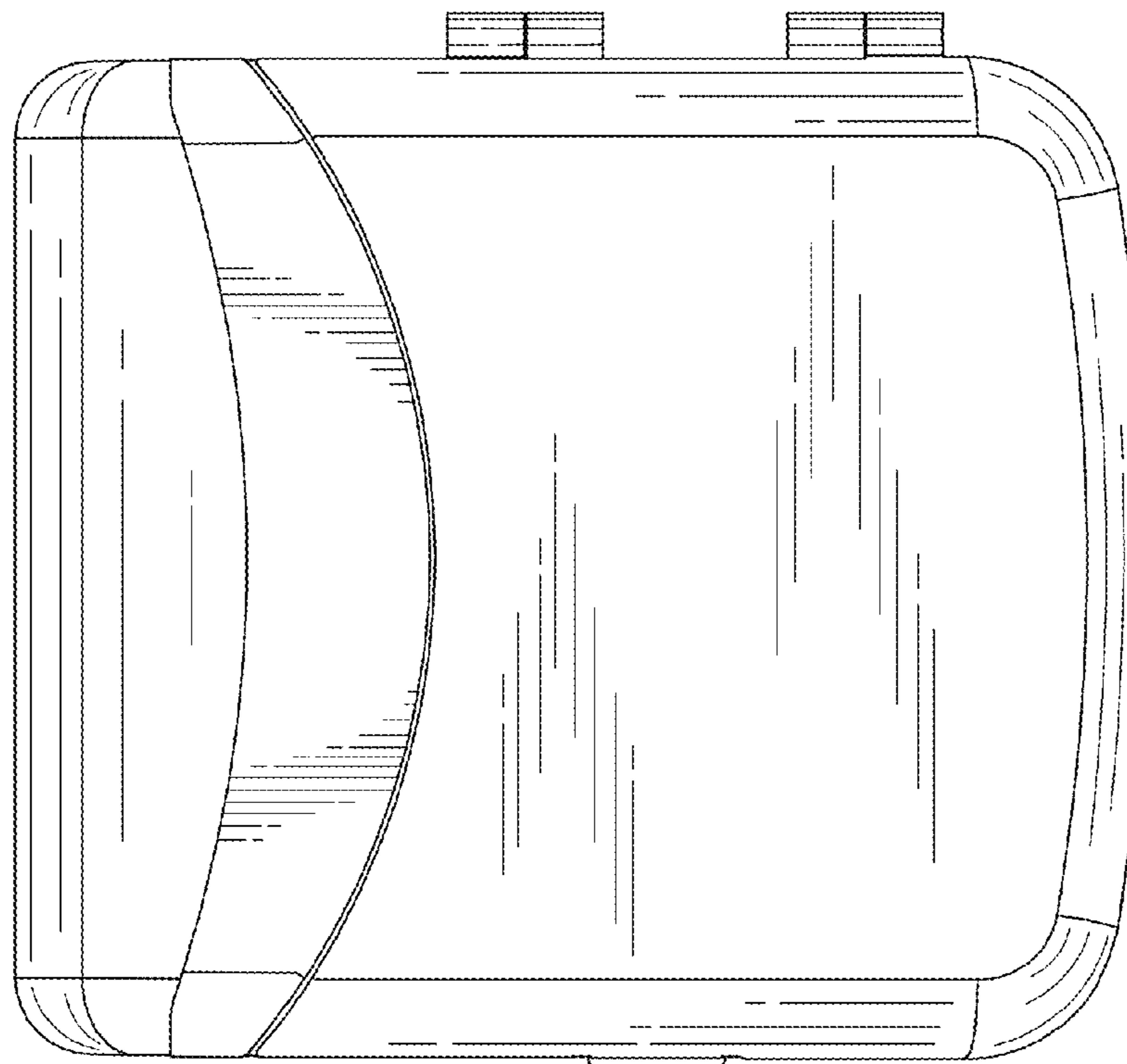
(57) **CLAIM**

I claim the ornamental design for a toolbox, as shown and described.

DESCRIPTION

FIG. 1 is a perspective view of a toolbox, showing my new design;
FIG. 2 is a front elevational view thereof;
FIG. 3 is a rear elevational view thereof;
FIG. 4 is a left side elevational view thereof;
FIG. 5 is a right side elevational view thereof;
FIG. 6 is a top plan view thereof; and
FIG. 7 is a bottom plan view thereof; and
FIG. 8 is a perspective view thereof, illustrating the outer covering open.

1 Claim, 6 Drawing Sheets



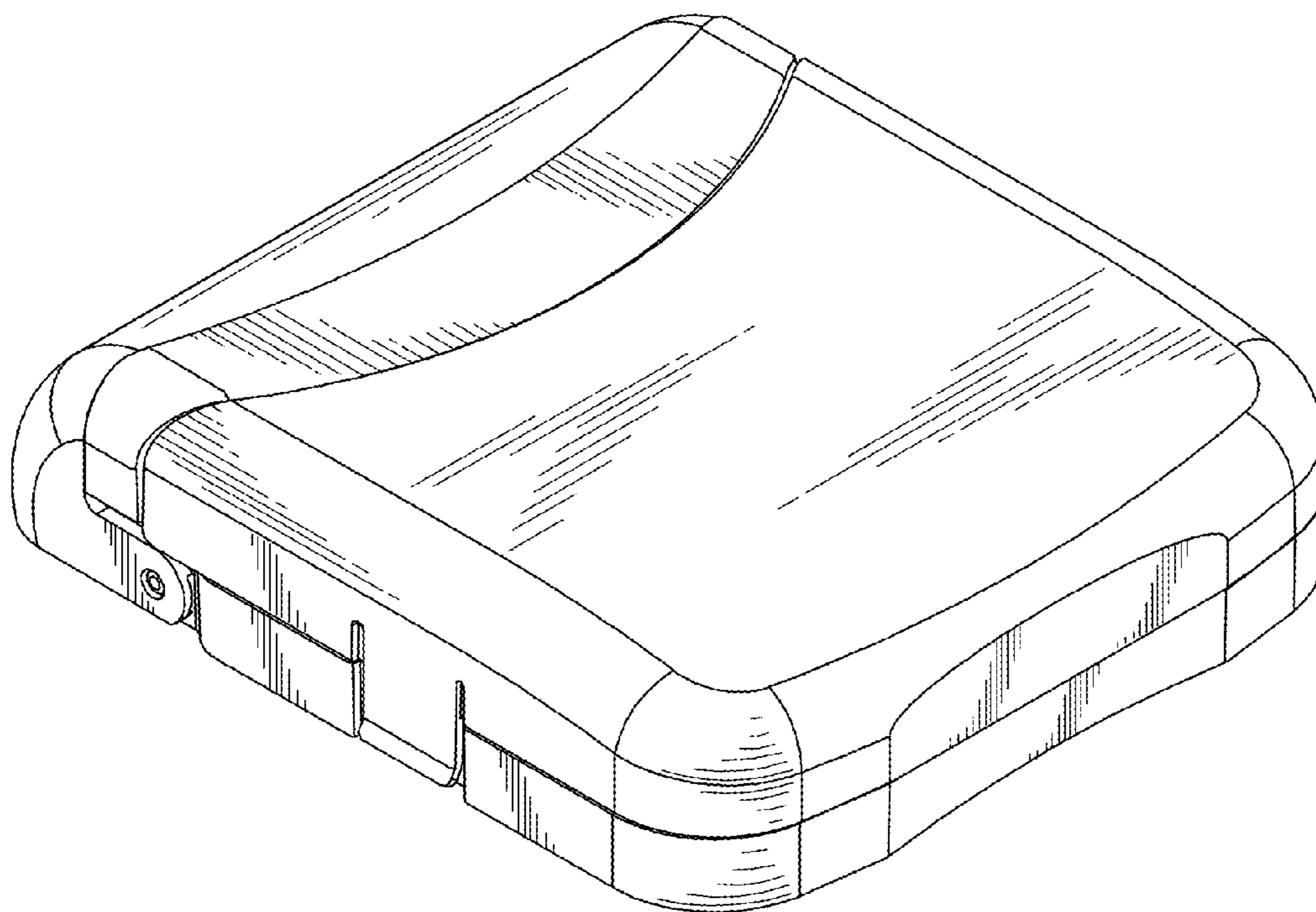


FIG. 1

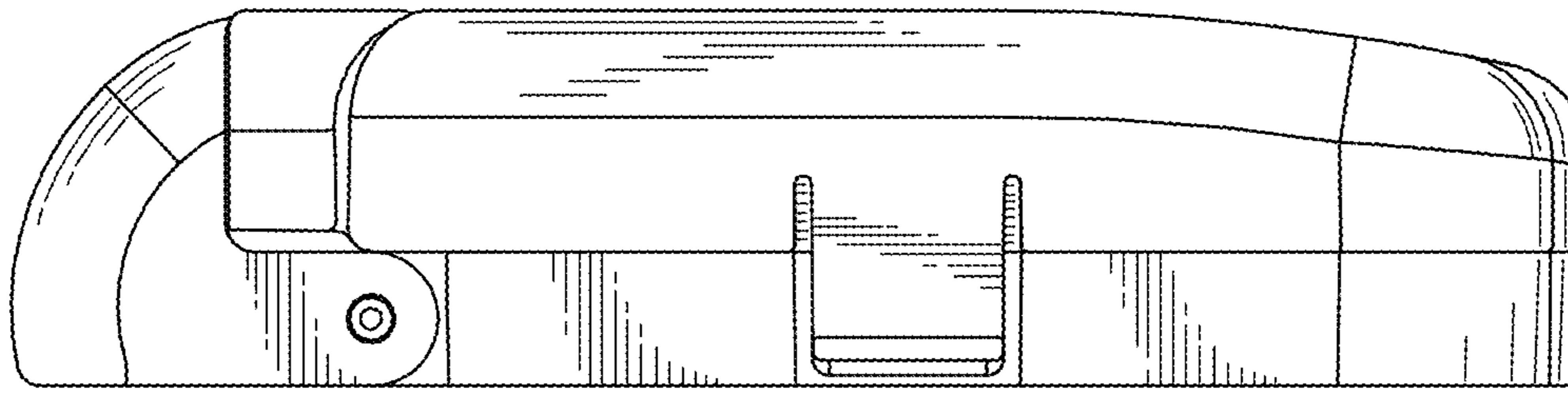


FIG. 2

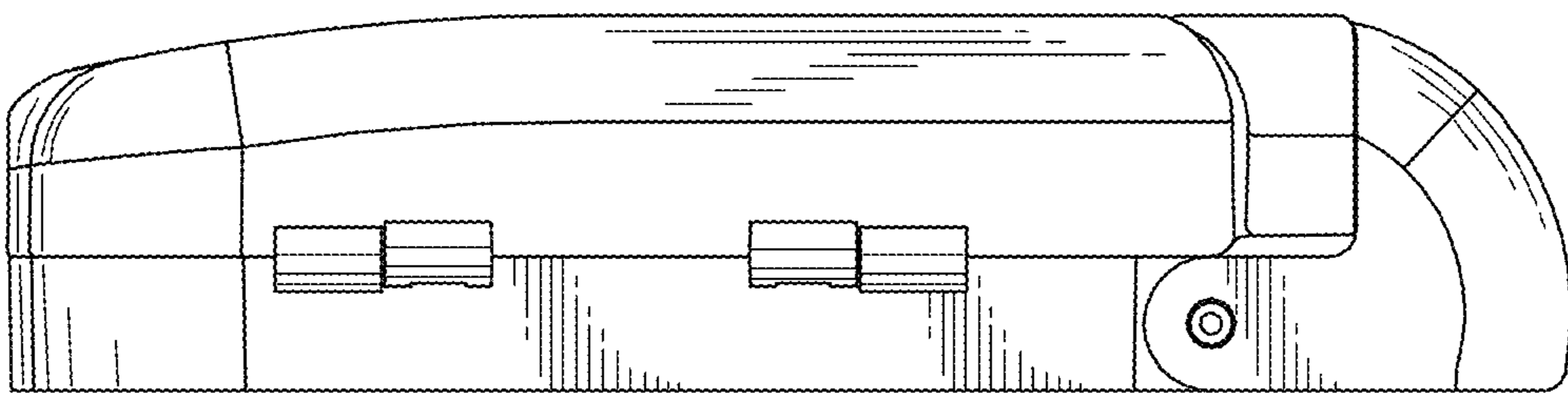


FIG. 3

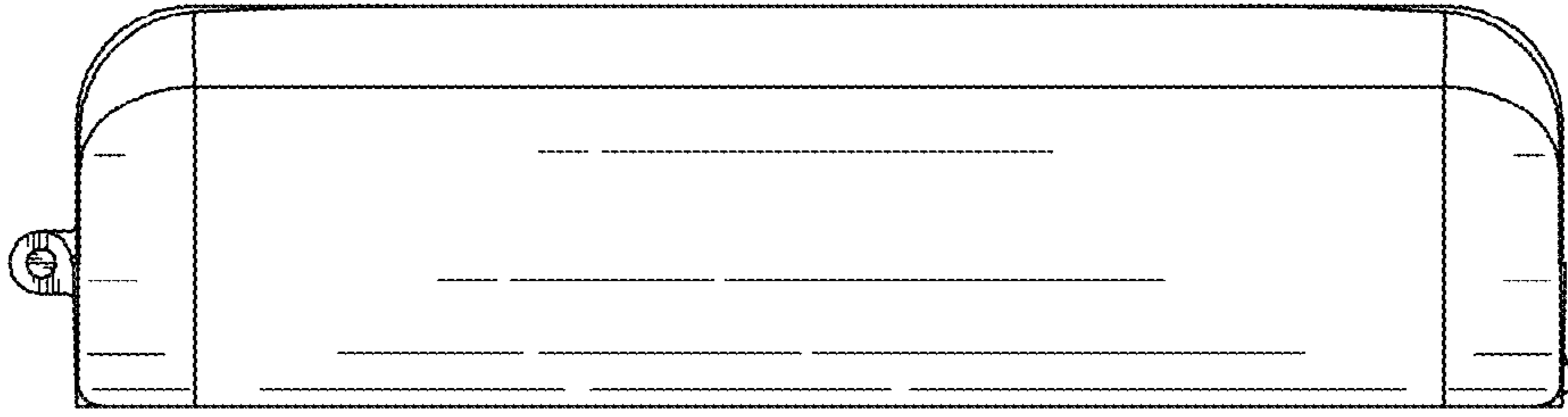


FIG. 4

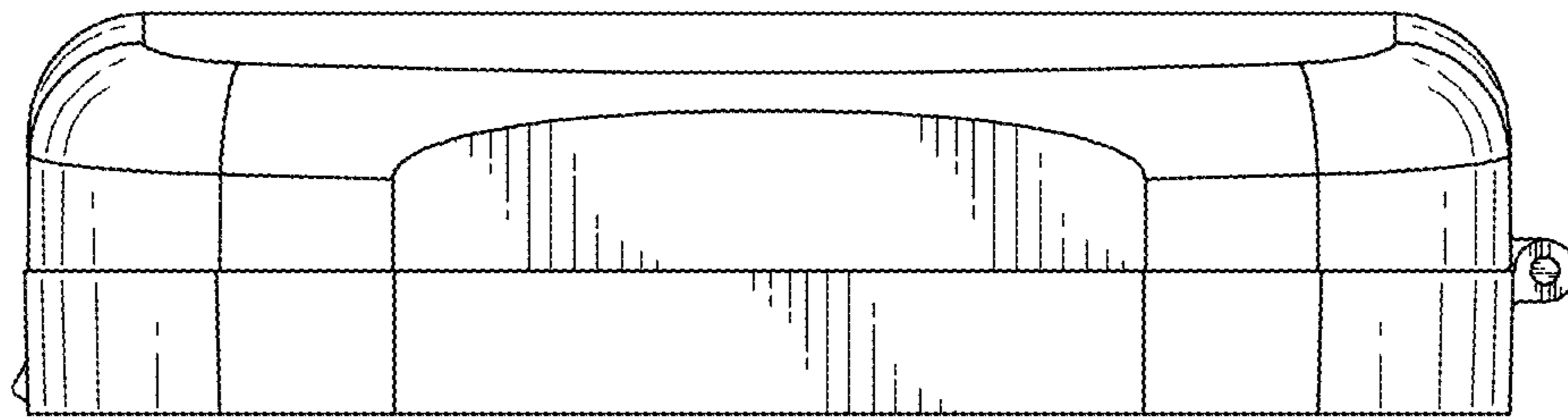


FIG. 5

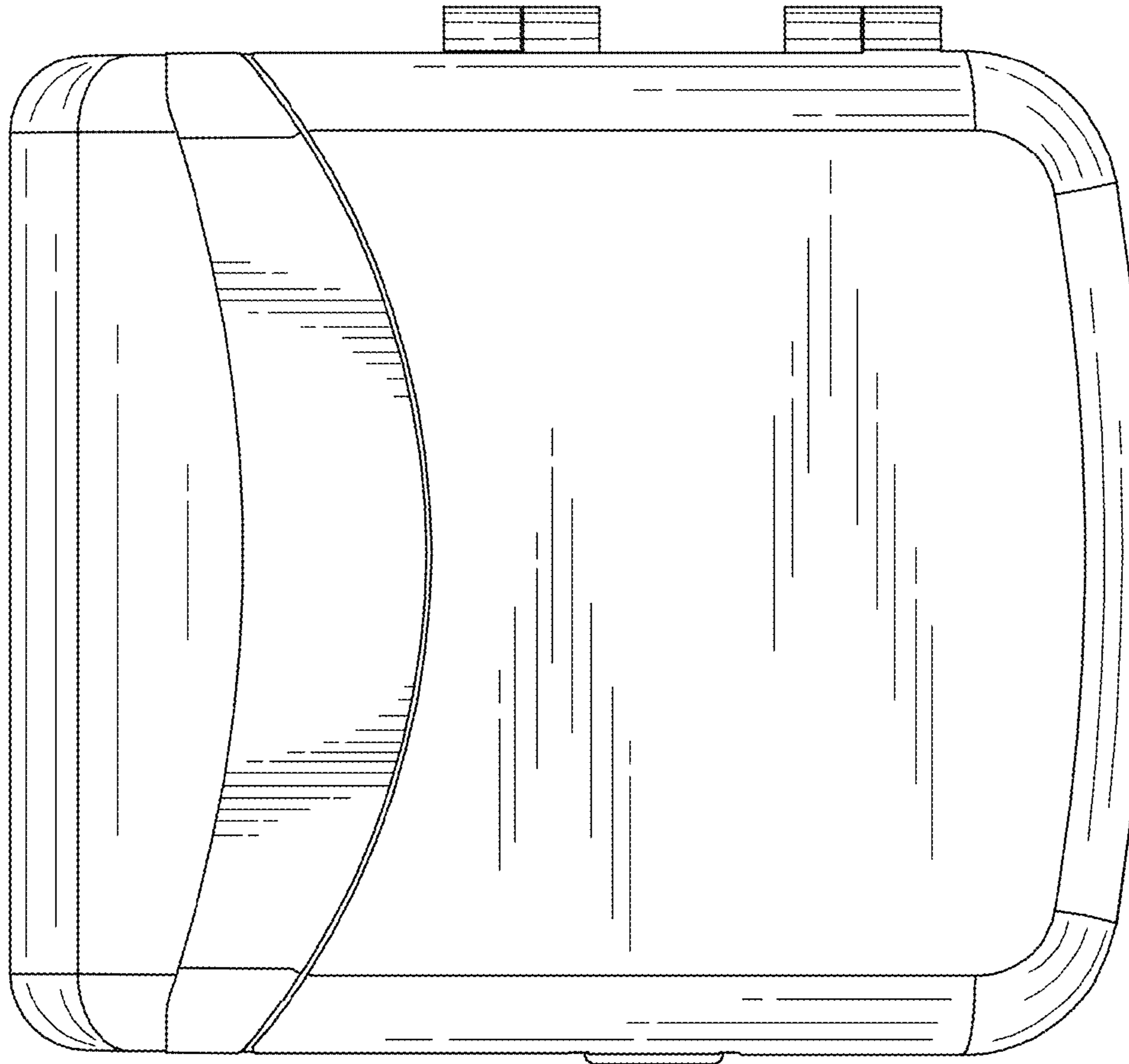


FIG. 6

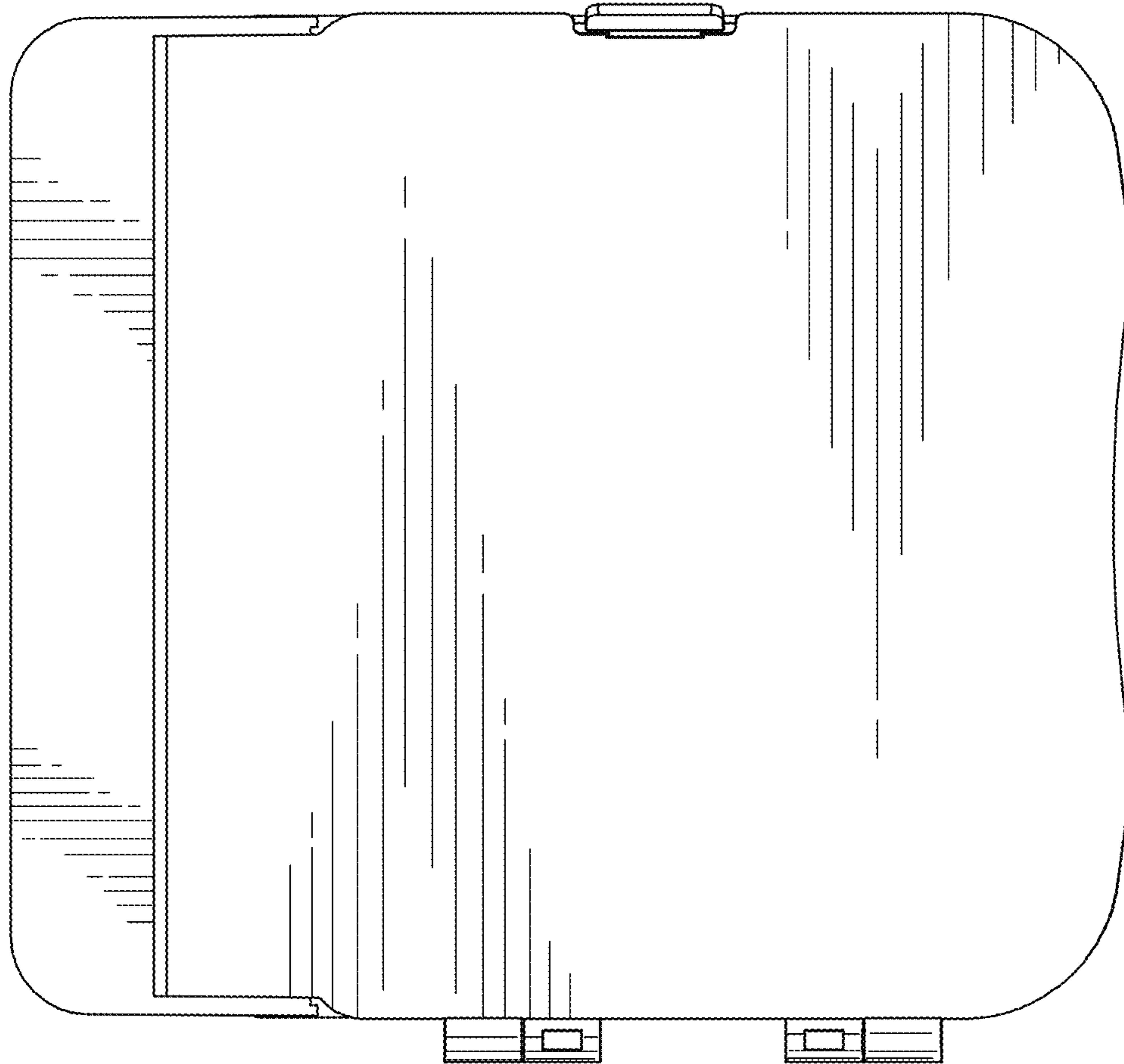


FIG. 7

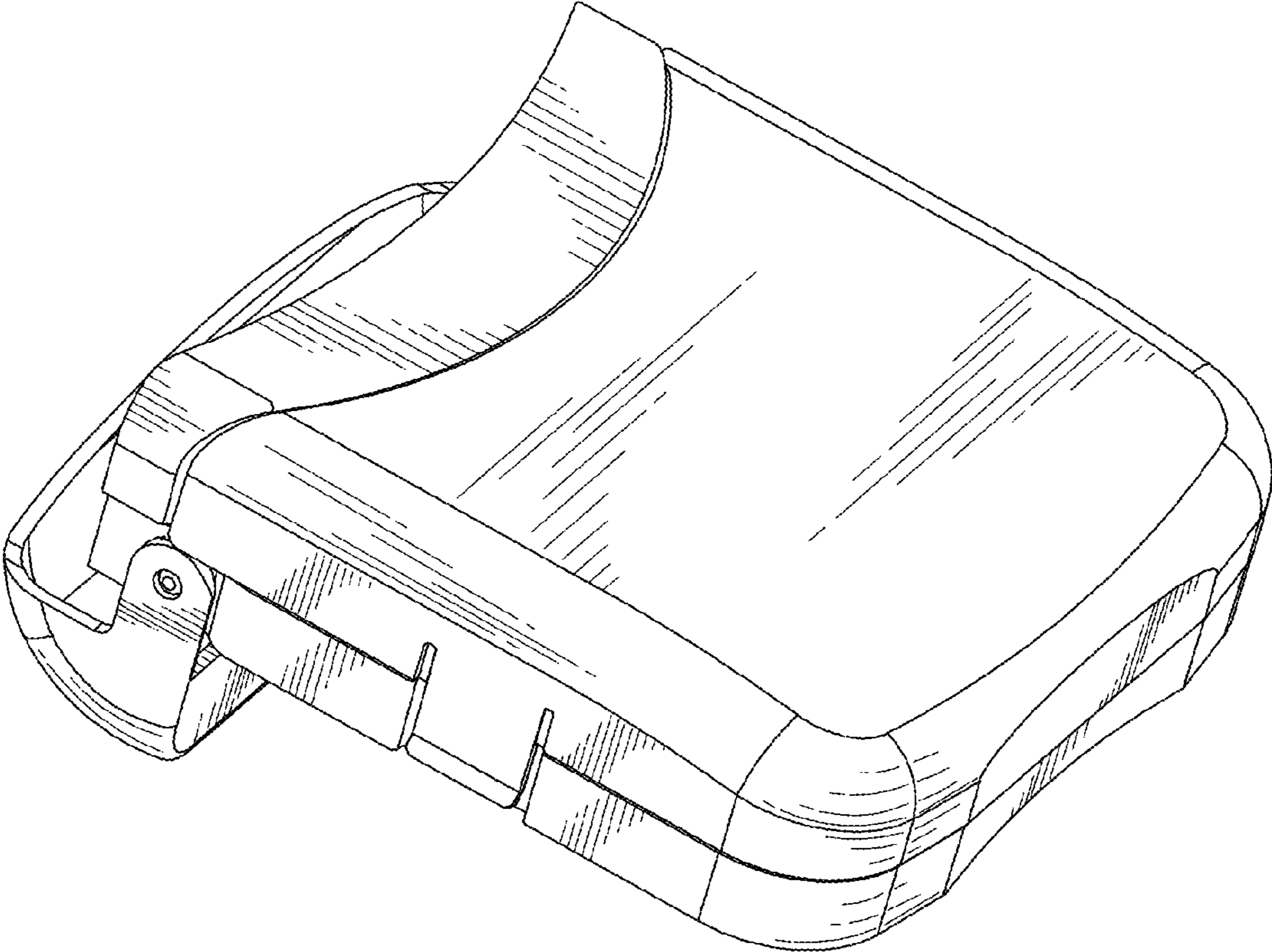


FIG. 8