



US00D691801S

(12) **United States Design Patent**
Lin

(10) **Patent No.:** **US D691,801 S**

(45) **Date of Patent:** **** Oct. 22, 2013**

(54) **TOOL BOX**

(71) Applicant: **Chih-Hung Lin**, Taichung (TW)

(72) Inventor: **Chih-Hung Lin**, Taichung (TW)

(**) Term: **14 Years**

(21) Appl. No.: **29/438,974**

(22) Filed: **Dec. 5, 2012**

(51) **LOC (9) Cl.** **03-01**

(52) **U.S. Cl.**
USPC **D3/282; D3/294; D3/905**

(58) **Field of Classification Search**
USPC D3/273, 276, 281, 282, 283–286, 297,
D3/905, 294–295; 220/523, 524, 527,
220/4.27; 206/349, 372–379; 280/47.19,
280/47.26

See application file for complete search history.

(56) **References Cited**

U.S. PATENT DOCUMENTS

D439,408 S * 3/2001 Gibson et al. D3/282
D474,340 S * 5/2003 Vasudeva D3/282
D516,808 S * 3/2006 Brunson et al. D3/273

D527,523 S * 9/2006 Cornwell et al. D3/294
D569,616 S * 5/2008 Lin D3/273
D616,200 S * 5/2010 Riedel et al. D3/281
D668,866 S * 10/2012 Meng D3/273

* cited by examiner

Primary Examiner — Jennifer Rivard

(74) *Attorney, Agent, or Firm* — Muncy, Geissler, Olds & Lowe, PLLC

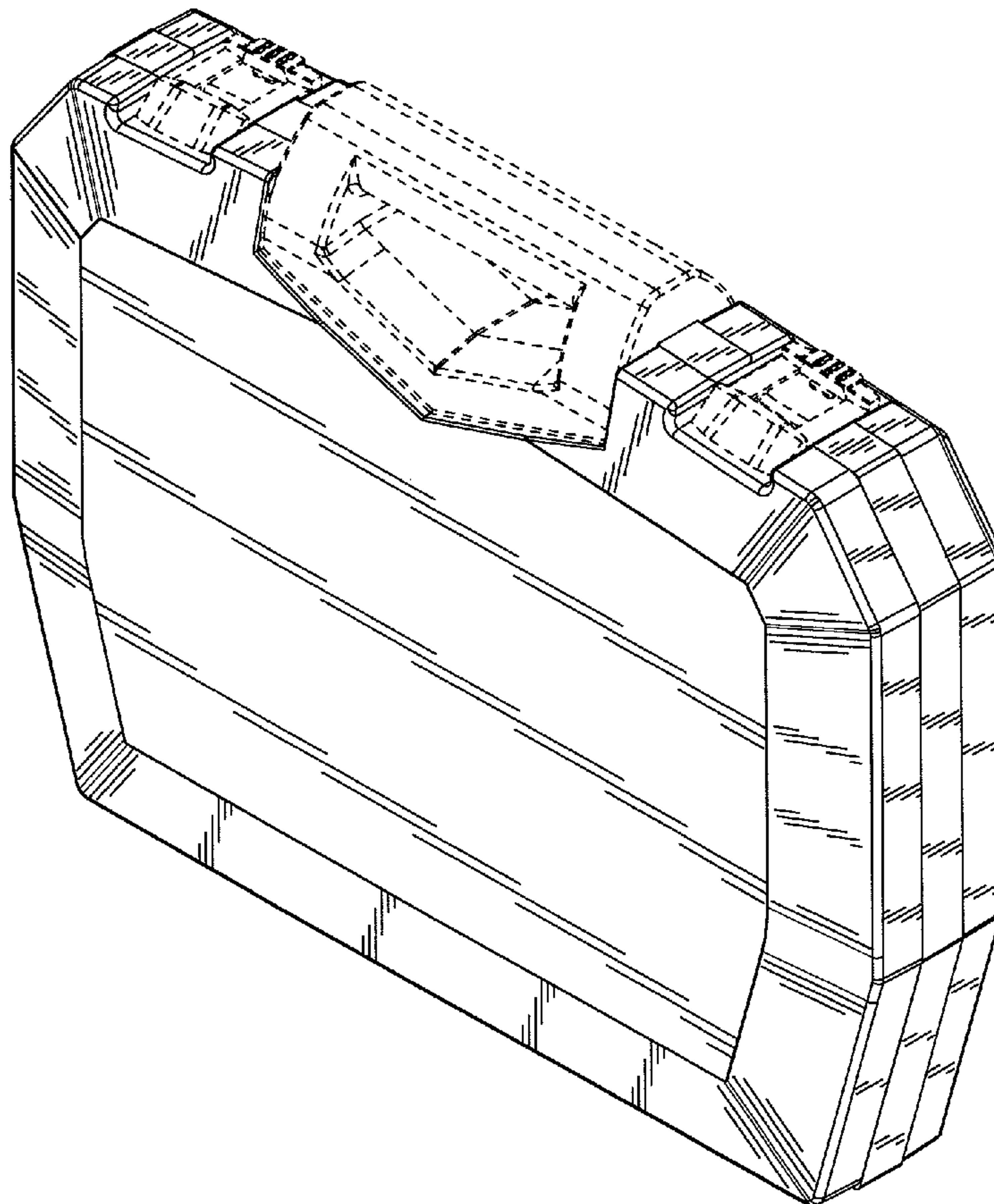
(57) **CLAIM**

I claim the ornamental design for a tool box, as shown and described.

DESCRIPTION

FIG. 1 is a perspective view of a tool box showing my new design;
FIG. 2 is a front view thereof;
FIG. 3 is a rear view thereof;
FIG. 4 is a left view thereof;
FIG. 5 is a right view thereof;
FIG. 6 is a top plan view thereof; and,
FIG. 7 is a bottom plan view thereof.
The broken lines shown in the drawings illustrate portions of the article and form no part of the claimed design.

1 Claim, 5 Drawing Sheets



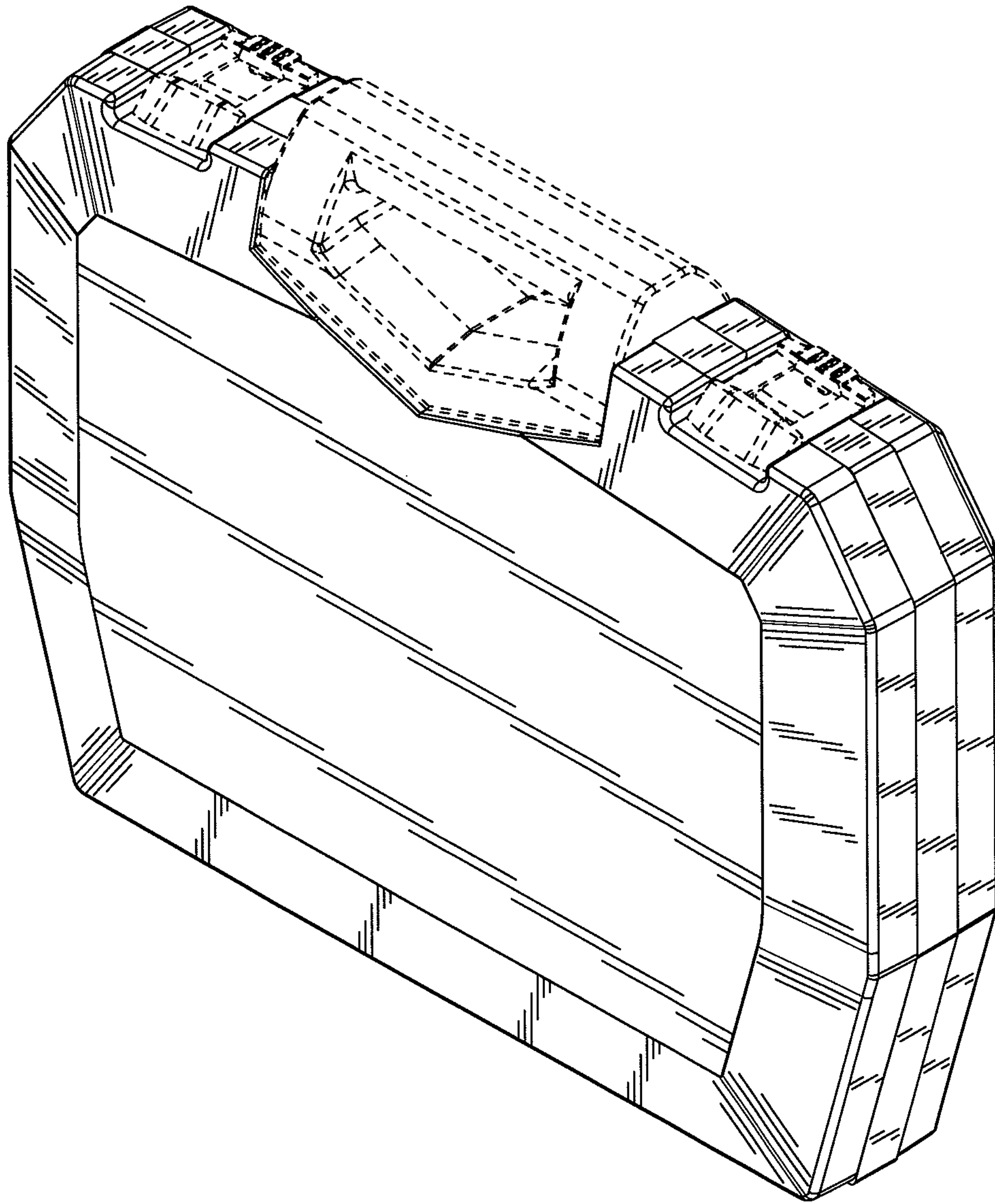


FIG. 1

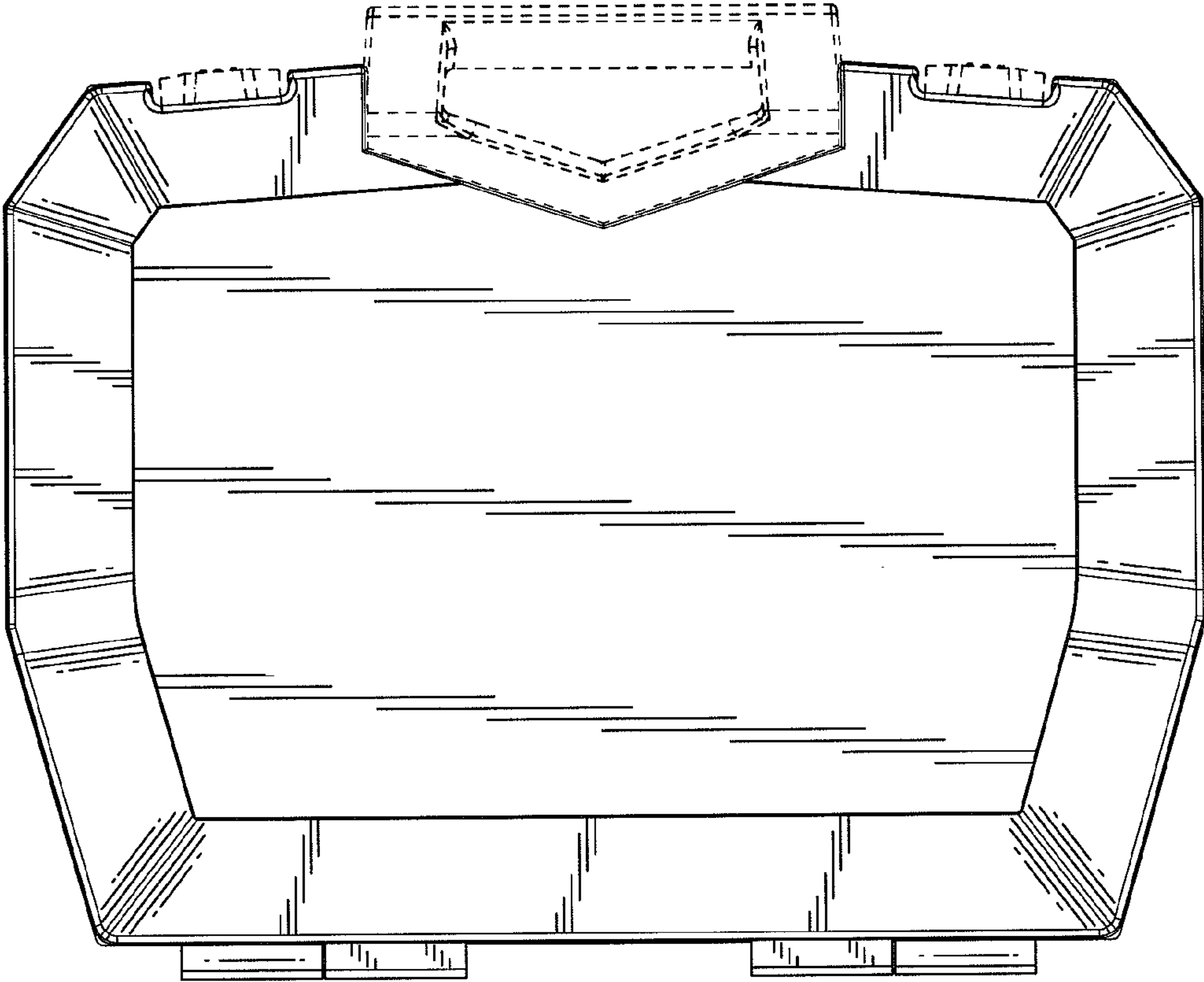


FIG. 2

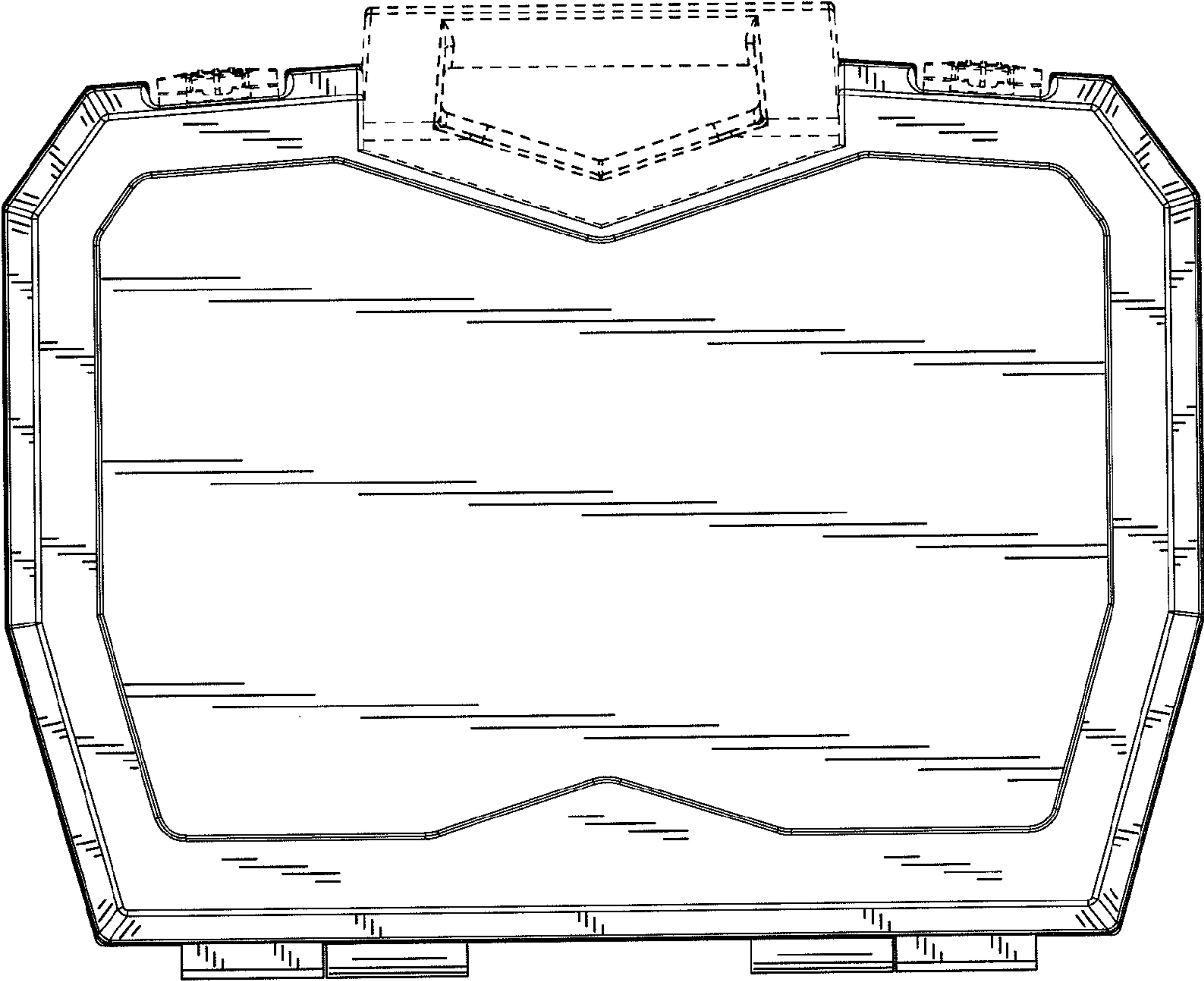


FIG. 3

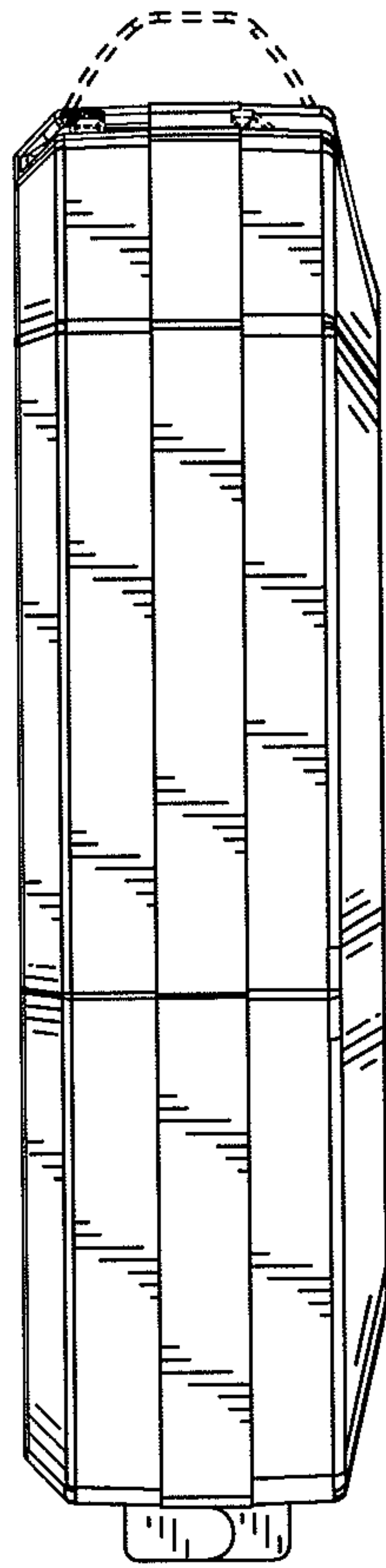


FIG. 4

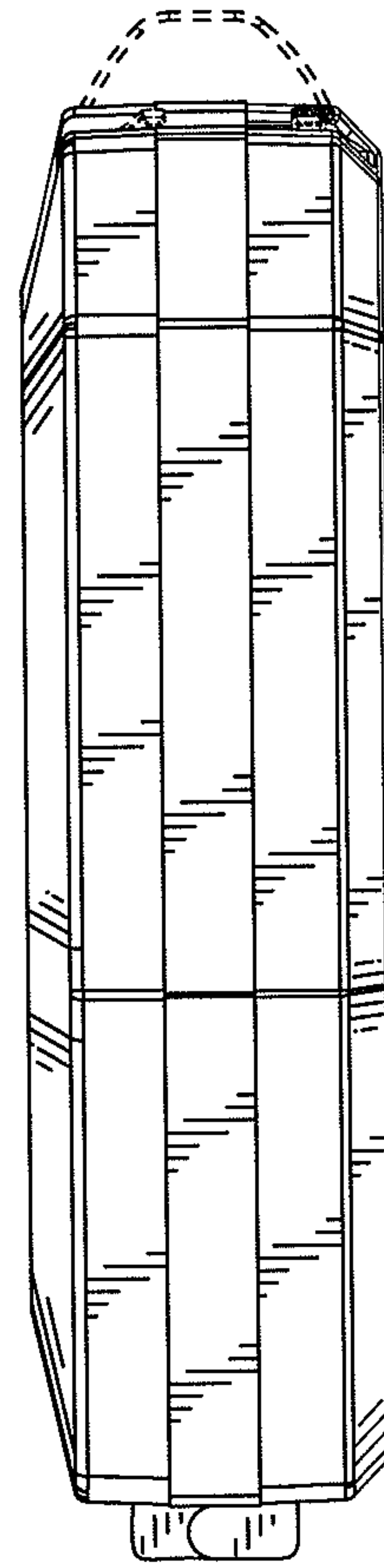


FIG. 5

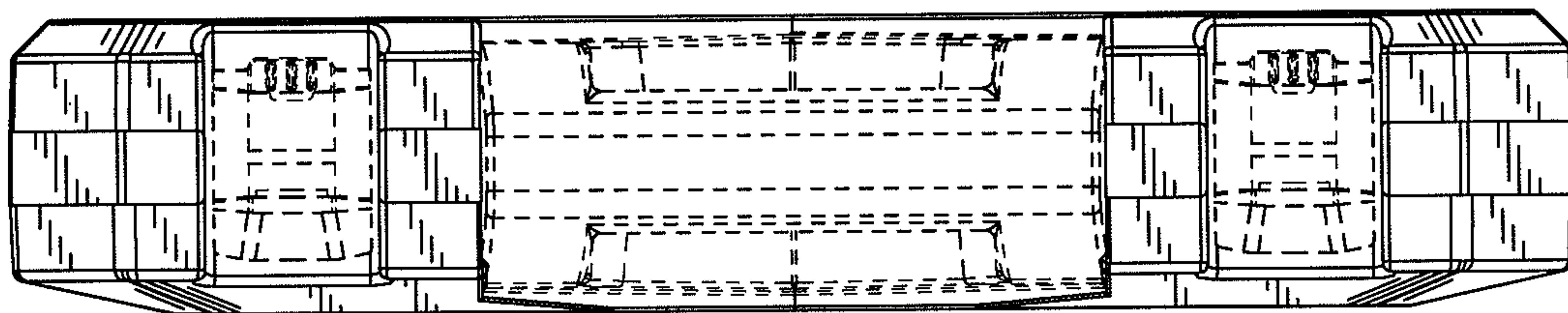


FIG. 6

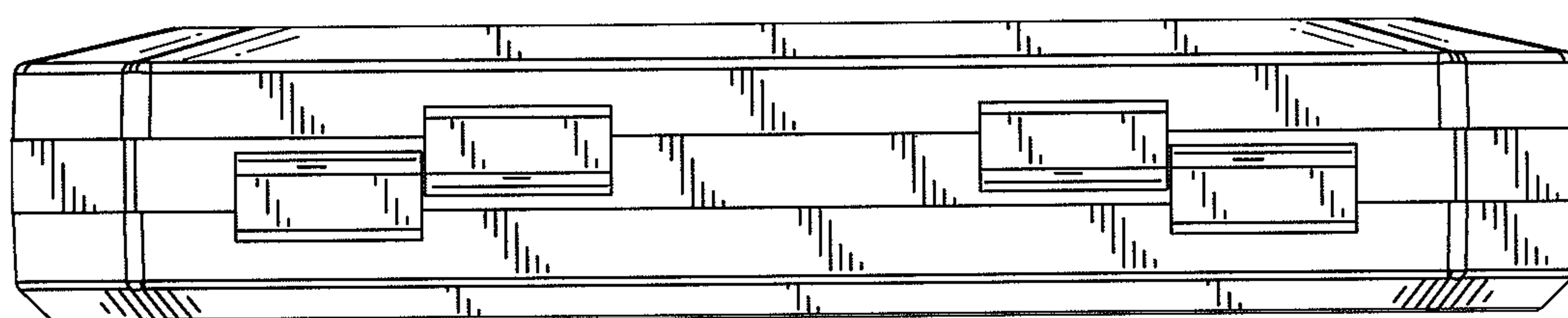


FIG. 7