

US00D691800S

(12) **United States Design Patent**
Kallas et al.

(10) **Patent No.:** **US D691,800 S**

(45) **Date of Patent:** **** Oct. 22, 2013**

(54) **TUBULAR HOLDER**

(75) Inventors: **Ryan Kallas**, Bainbridge, WA (US); **J. Herschel Blankenship**, Bainbridge Island, WA (US)

(73) Assignee: **Music Express, LLC**, Bainbridge Island, WA (US)

(**) Term: **14 Years**

(21) Appl. No.: **29/419,811**

(22) Filed: **May 2, 2012**

(51) **LOC (9) Cl.** **03-01**

(52) **U.S. Cl.**
USPC **D3/260; D3/302**

(58) **Field of Classification Search**
USPC D3/254, 255, 260–262, 272, 273, 302;
206/315.1, 315, 315.11, 216, 811;
229/93; D28/65

See application file for complete search history.

(56) **References Cited**

U.S. PATENT DOCUMENTS

2,962,187	A	11/1960	Morris	
3,337,028	A *	8/1967	Glavan	206/315.11
D226,407	S	2/1973	Doman	
D249,591	S *	9/1978	Mijares, Jr.	D28/65
D263,622	S *	3/1982	Hasson	D3/203.2
D271,162	S	11/1983	Evans	
D276,285	S *	11/1984	Tober et al.	D3/300
4,643,302	A *	2/1987	Baumgardner	206/315.1
D312,531	S *	12/1990	Sherer et al.	D3/290
D320,885	S	10/1991	Fitzhugh	
D323,427	S *	1/1992	Schurman	D3/255
D343,954	S	2/1994	Simmons	
D353,044	S *	12/1994	Riley	D3/228
5,446,989	A	9/1995	Stange	
5,641,064	A *	6/1997	Goserud	206/315.1

5,752,601	A *	5/1998	Arthur et al.	206/315.1
D410,333	S *	6/1999	Coca	D3/260
6,062,382	A *	5/2000	Czerkie	206/315.11
6,161,692	A	12/2000	Lizarraga	
D453,622	S *	2/2002	McClenahan et al.	D3/260
D476,151	S	6/2003	Peterson	
D476,874	S *	7/2003	Kim	D8/81
D478,726	S *	8/2003	Masso et al.	D3/300
D479,398	S *	9/2003	Sanderson	D3/254
6,760,994	B2	7/2004	Hields	
D517,315	S *	3/2006	Amin	D3/273

(Continued)

Primary Examiner — Jennifer Rivard

(74) *Attorney, Agent, or Firm* — J. Bennett Mullinax, LLC

(57) **CLAIM**

The ornamental design for a tubular holder, as shown and described.

DESCRIPTION

FIG. 1 is a perspective view of the tubular holder according to the present design;

FIG. 2 is an elevation side view of the tubular holder as shown in FIG. 1, the other side being a mirror image thereof;

FIG. 3 is a rear view of the tubular holder as shown in FIG. 1;

FIG. 4 is an enlarged view of a closure of the tubular holder as shown in FIG. 1;

FIG. 5 is a front view of a closure of the tubular holder as shown in FIG. 1 and as seen along line 5-5 of FIG. 4;

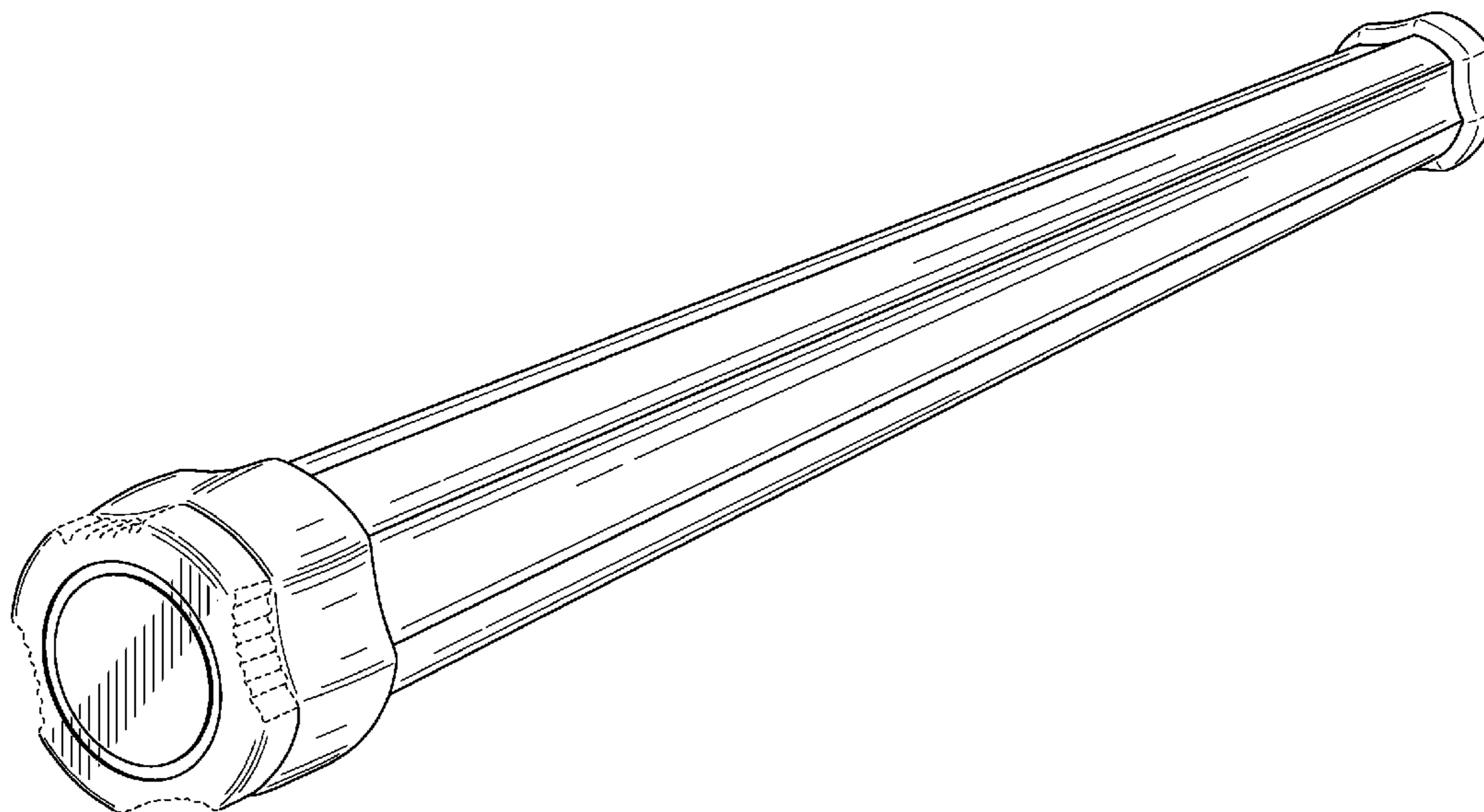
FIG. 6 is an interior end view of a closure of the tubular holder as shown in FIG. 1 and as seen along line 6-6 of FIG. 4;

FIG. 7 is a sectional view of the tubular holder as shown in FIG. 1 and as taken along line 7-7 of FIG. 5; and,

FIG. 8 is an exploded view of a closure and opening of the tubular holder according to the present invention.

The broken lines shown in the drawings illustrate portions of the tubular holder and form no part of the claimed design.

1 Claim, 6 Drawing Sheets



US D691,800 S

Page 2

(56)

References Cited

U.S. PATENT DOCUMENTS

D525,786 S *	8/2006	Orlando	D3/254	D588,360 S	3/2009	Scott et al.	
D548,973 S *	8/2007	Dawson et al.	D3/302	D660,591 S *	5/2012	Okulla et al.	D3/294
D558,978 S *	1/2008	Roesler	D3/302	D661,093 S *	6/2012	Jusic	D3/273
				D668,876 S *	10/2012	Tice	D3/302
				2012/0255879 A1 *	10/2012	Gillespie	206/216

* cited by examiner

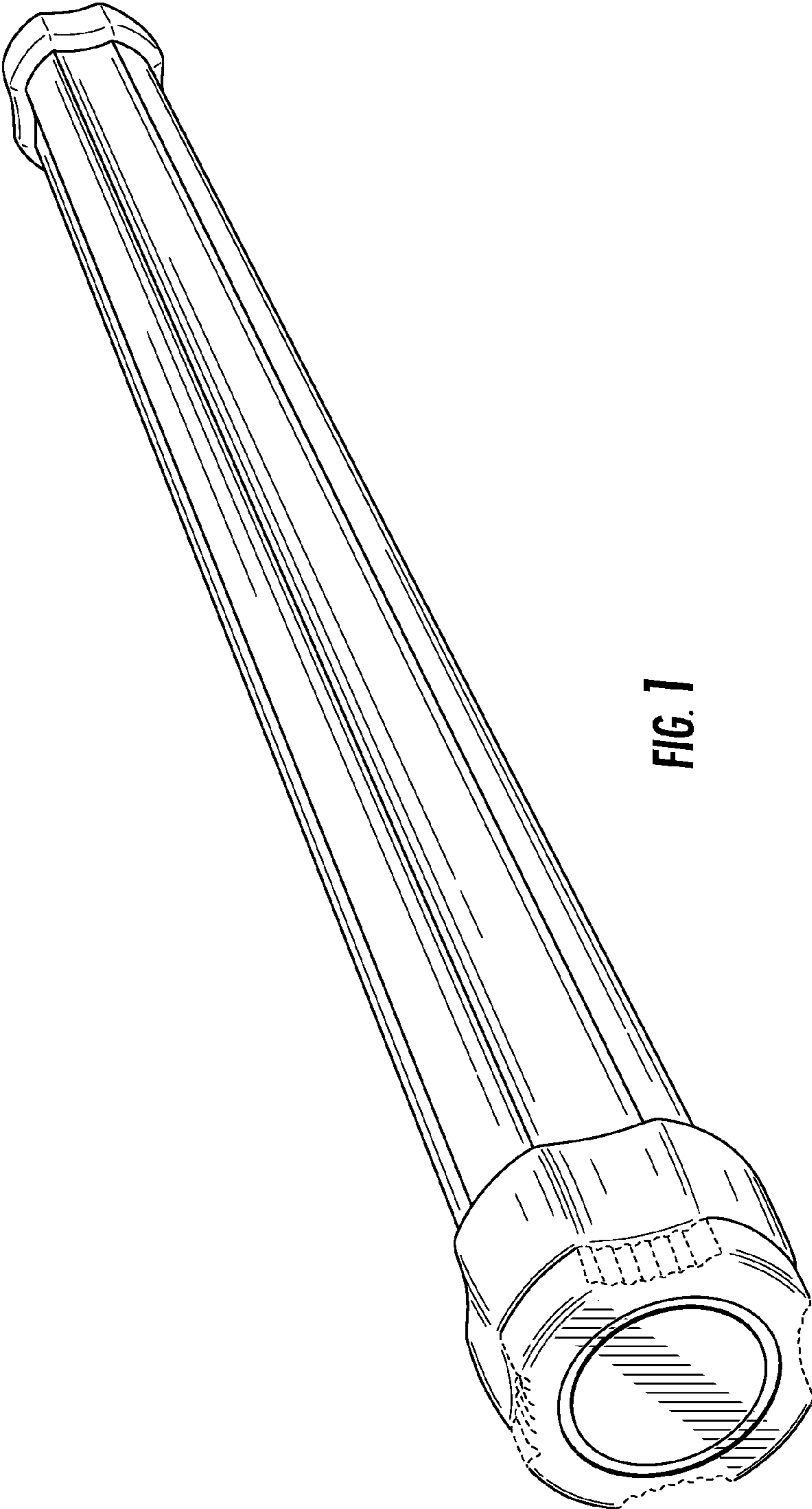


FIG. 1

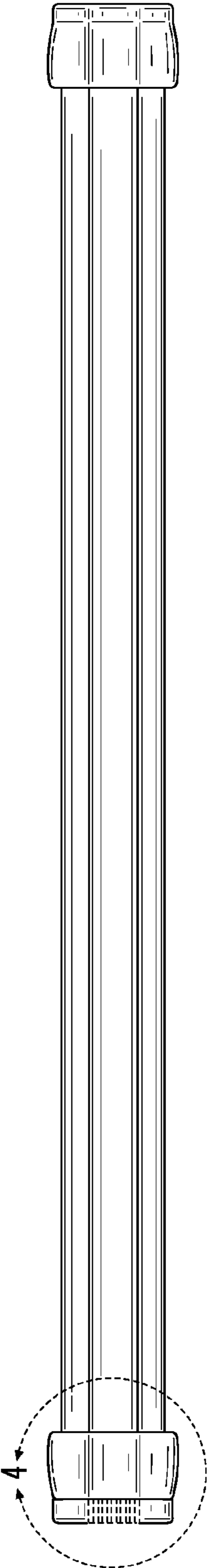


FIG. 2

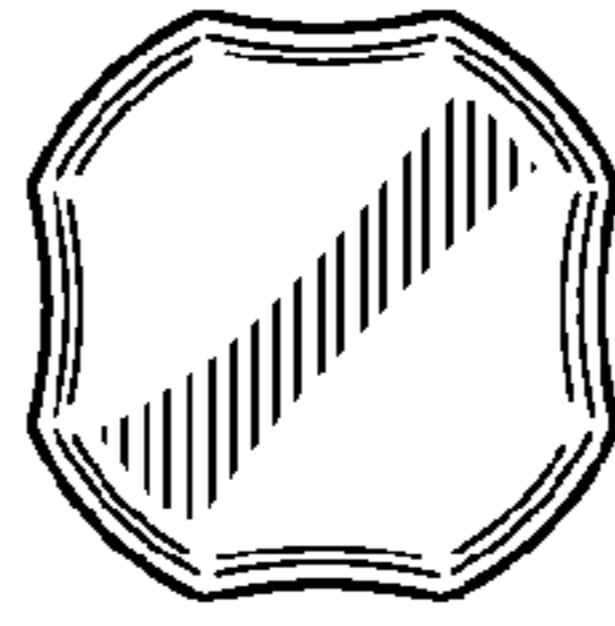


FIG. 3

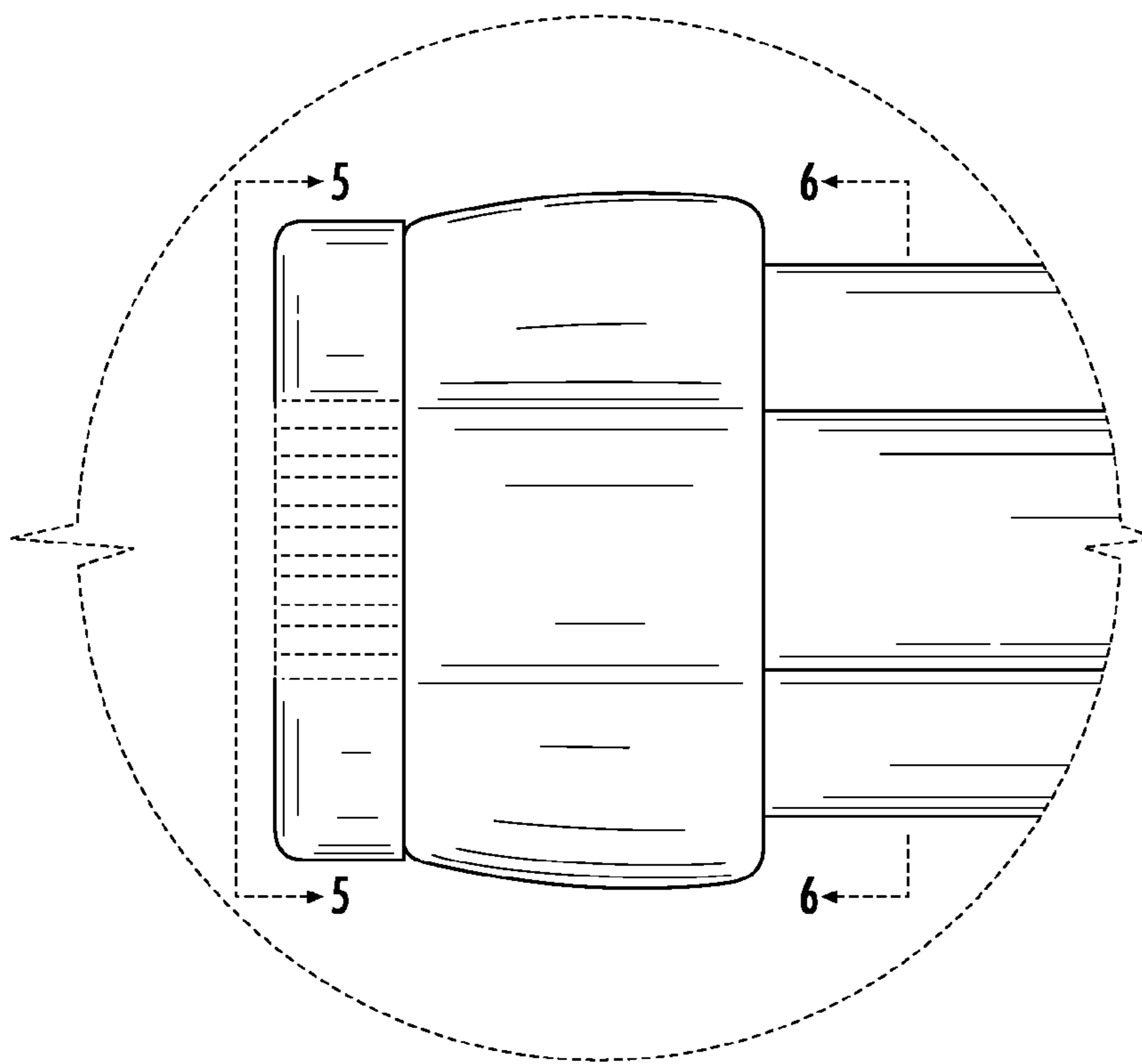


FIG. 4

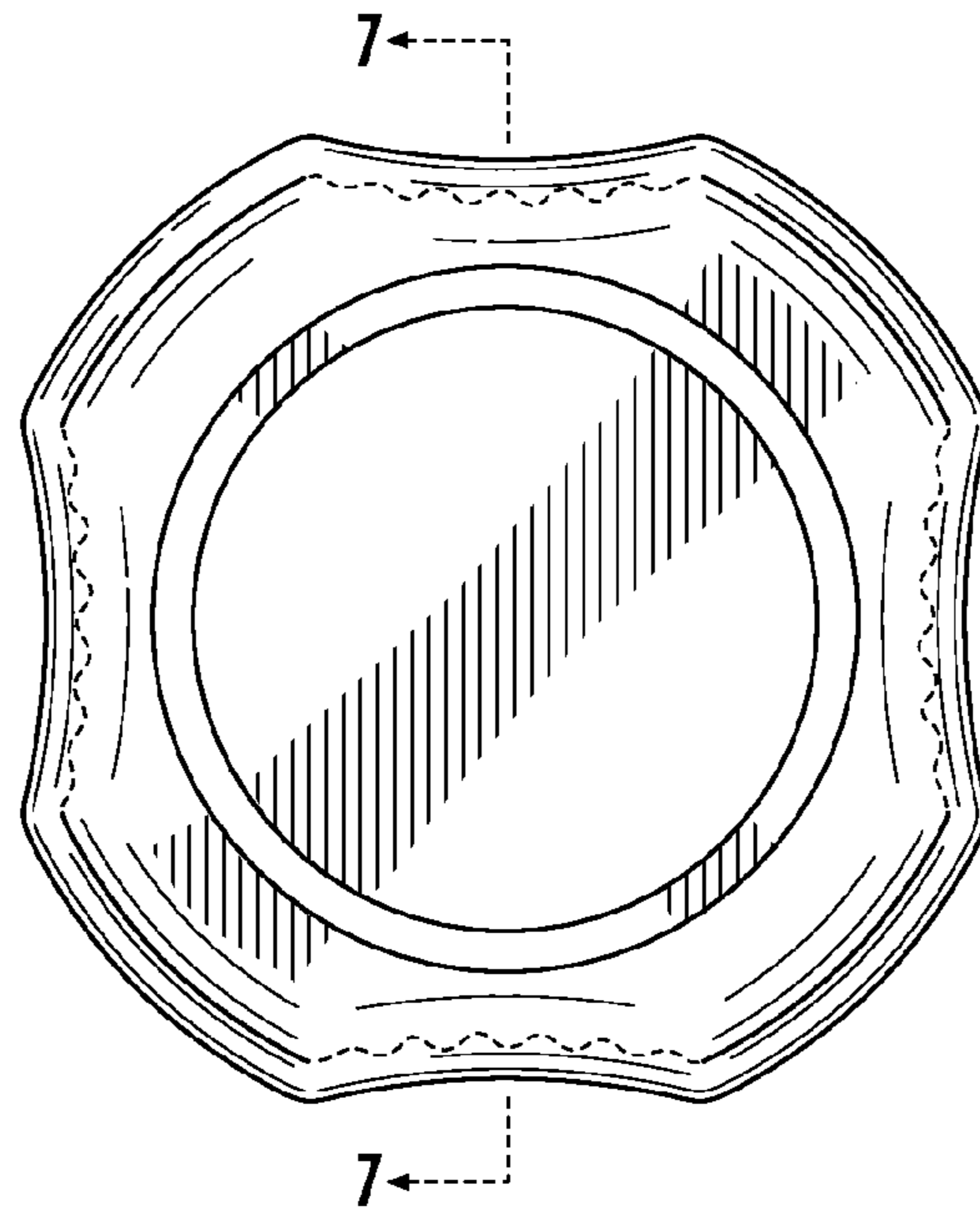


FIG. 5

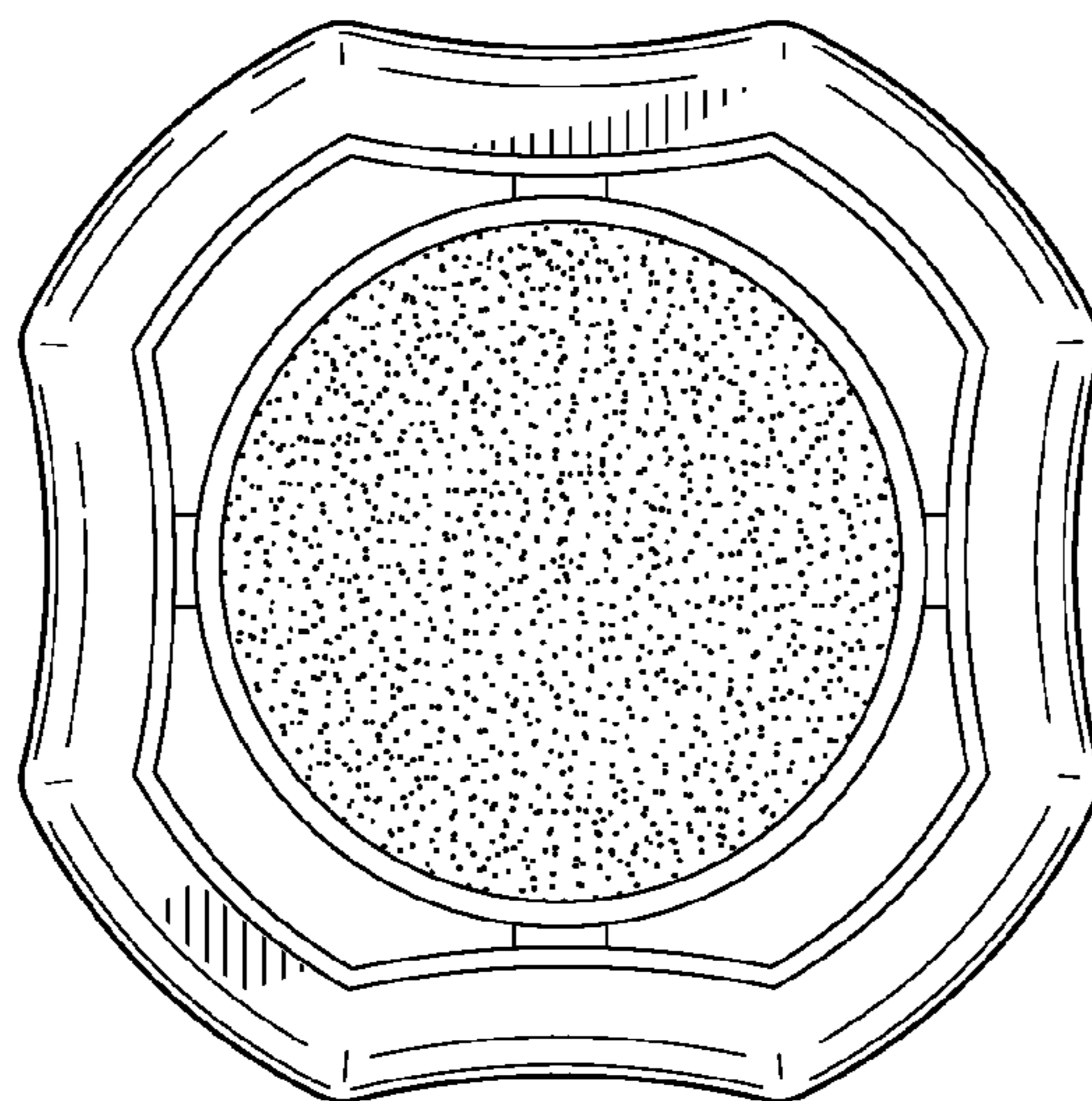


FIG. 6

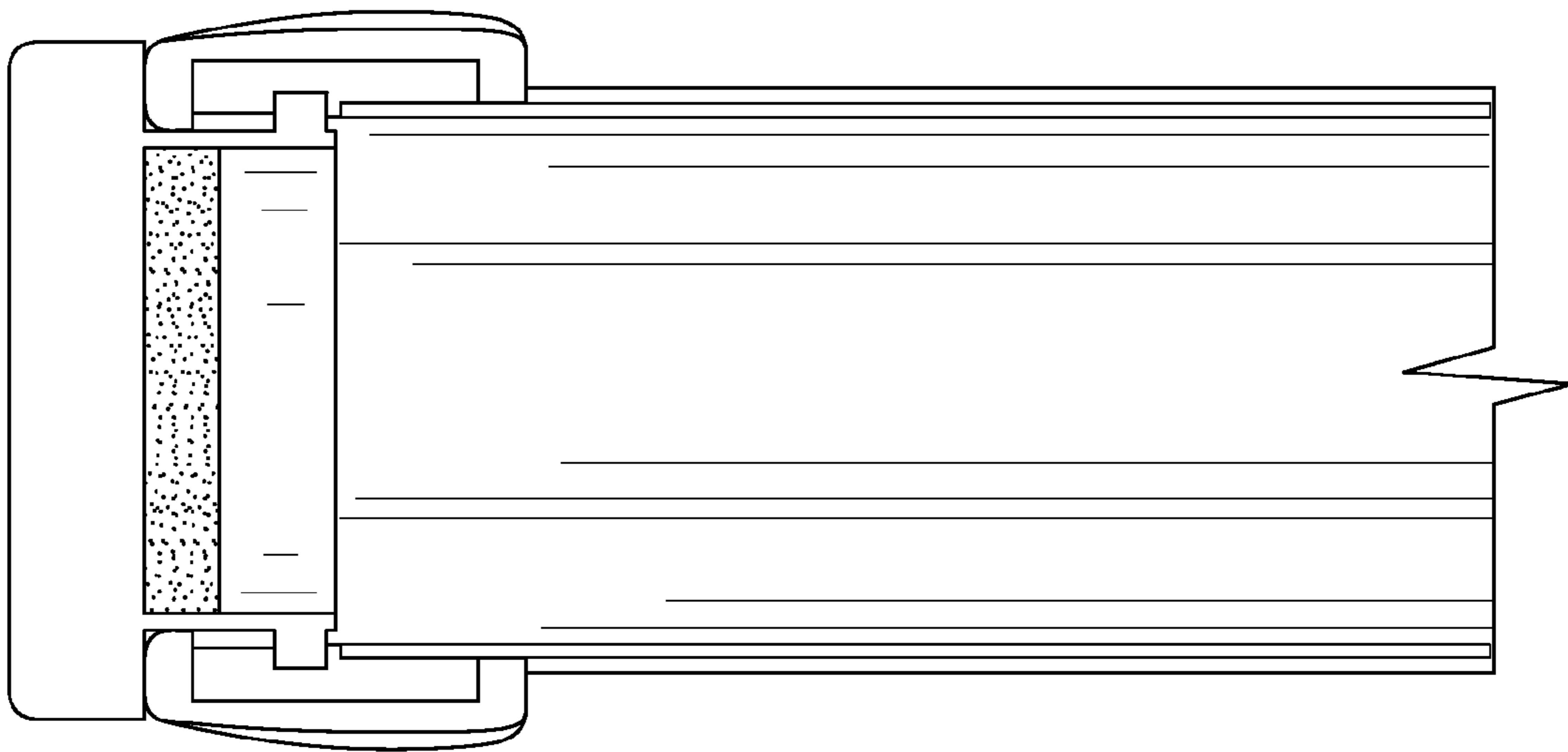


FIG. 7

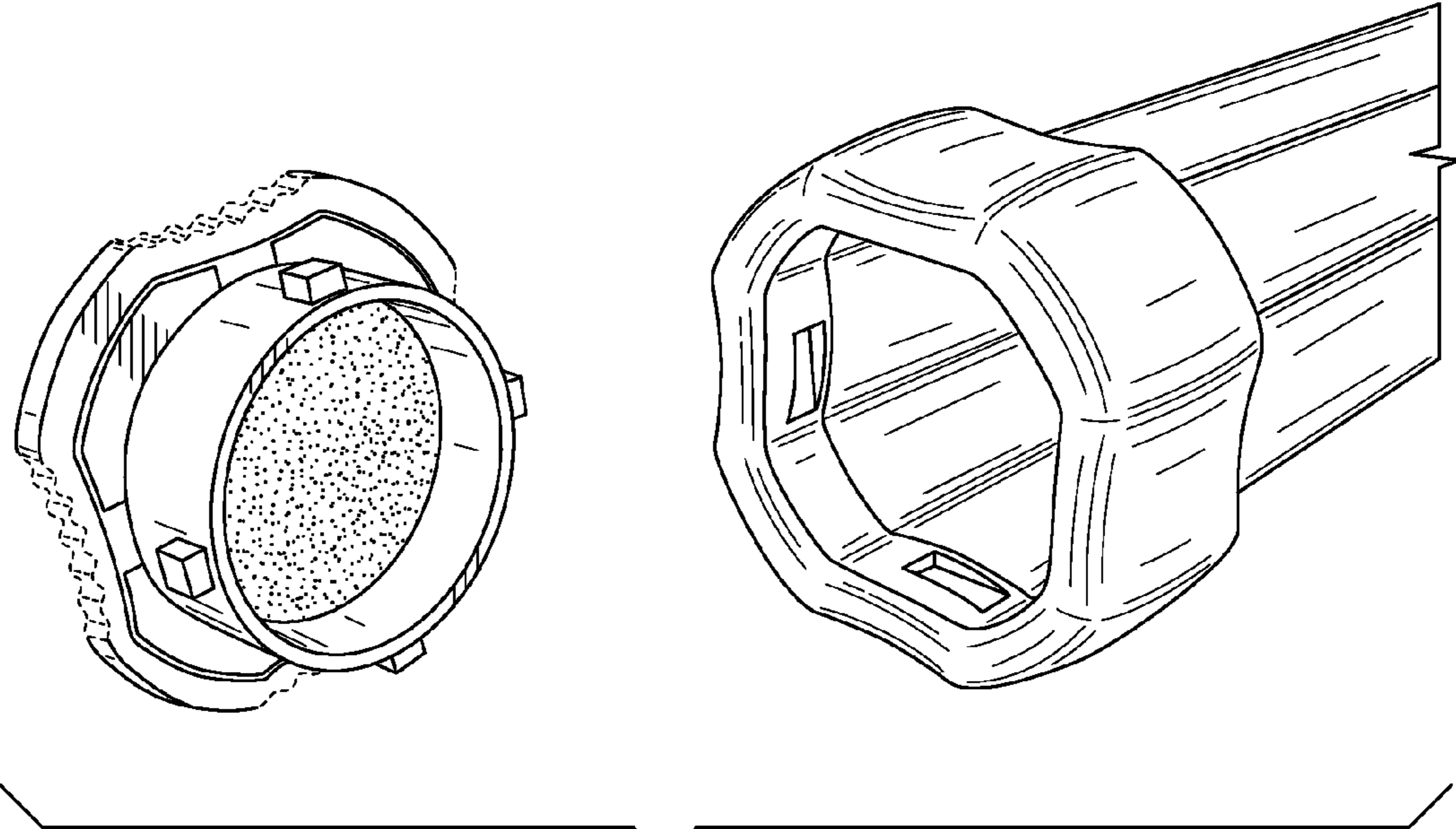


FIG. 8