



US00D691796S

(12) **United States Design Patent**  
**Stewart**

(10) **Patent No.:** **US D691,796 S**

(45) **Date of Patent:** **\*\* Oct. 22, 2013**

(54) **TOTE BAG**

D596,850 S \* 7/2009 Smith ..... D3/232

\* cited by examiner

(76) Inventor: **Terri Maxine Stewart**, Bear, DE (US)

*Primary Examiner* — Holly Baynham

(\*\*) Term: **14 Years**

(74) *Attorney, Agent, or Firm* — QuickPatents; Kevin Prince

(21) Appl. No.: **29/413,574**

(57) **CLAIM**

I claim the ornamental design for a tote bag, as shown and described.

(22) Filed: **Feb. 16, 2012**

**DESCRIPTION**

(51) **LOC (9) Cl.** ..... **03-01**

(52) **U.S. Cl.**  
USPC ..... **D3/232**

(58) **Field of Classification Search**  
USPC ..... D3/232–233, 240–246, 273, 281–283;  
150/100, 103–110, 113–114, 117–119

FIG. 1 is a perspective view of a tote bag, showing my new design my new design;

FIG. 2 is a front elevational view of FIG. 1;

FIG. 3 is a rear elevational view of FIG. 1;

FIG. 4 is a right-side elevational view of FIG. 1;

FIG. 5 is a left-side elevational view of FIG. 1;

FIG. 6 is a top plan view of FIG. 1; and,

FIG. 7 is a bottom plan view of FIG. 1.

The broken lines in the figures represent stitching, and are part of the claimed design.

See application file for complete search history.

(56) **References Cited**

**U.S. PATENT DOCUMENTS**

D510,660 S \* 10/2005 Suppangig ..... D3/246

**1 Claim, 4 Drawing Sheets**

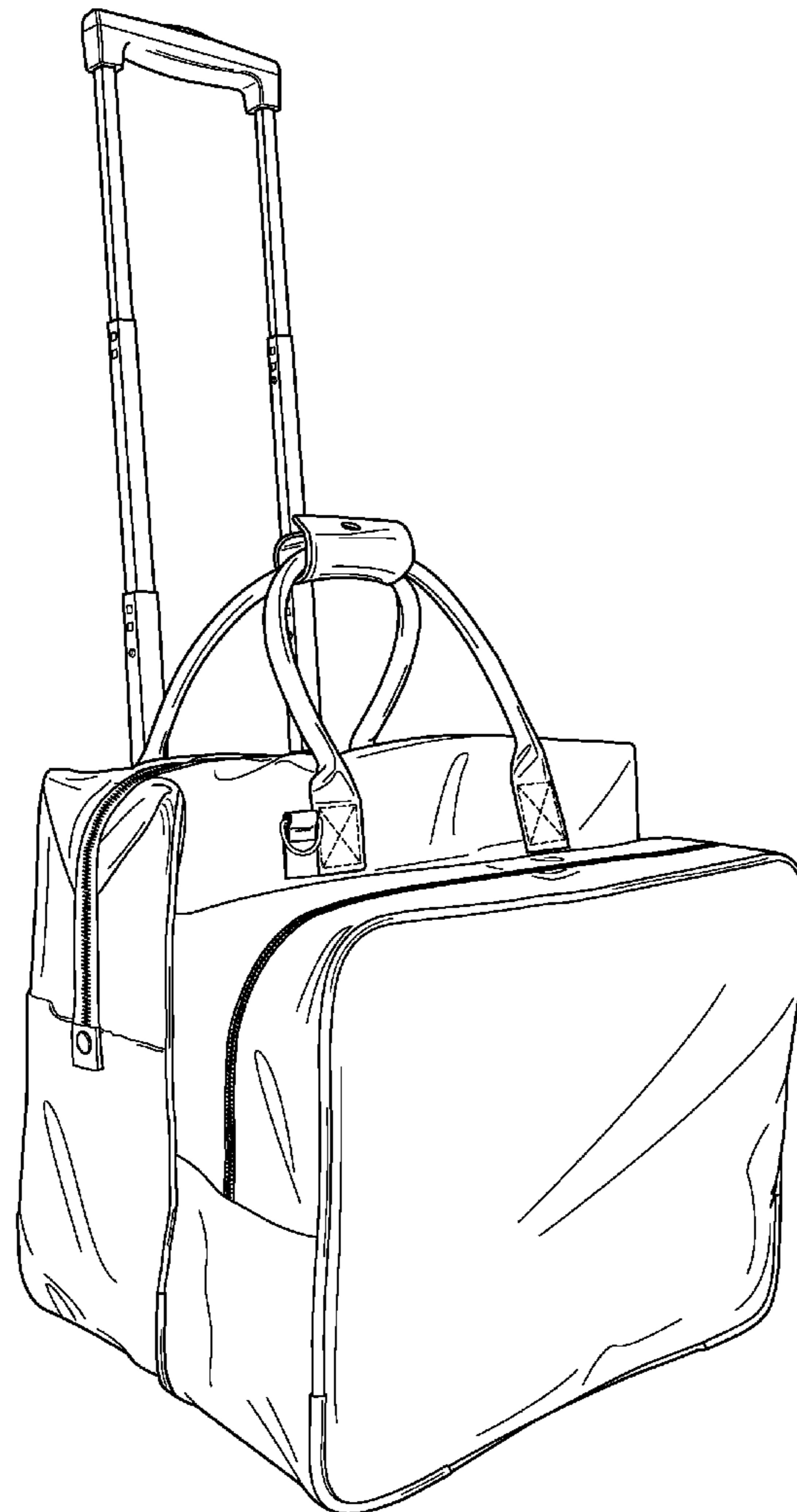




FIG. 1

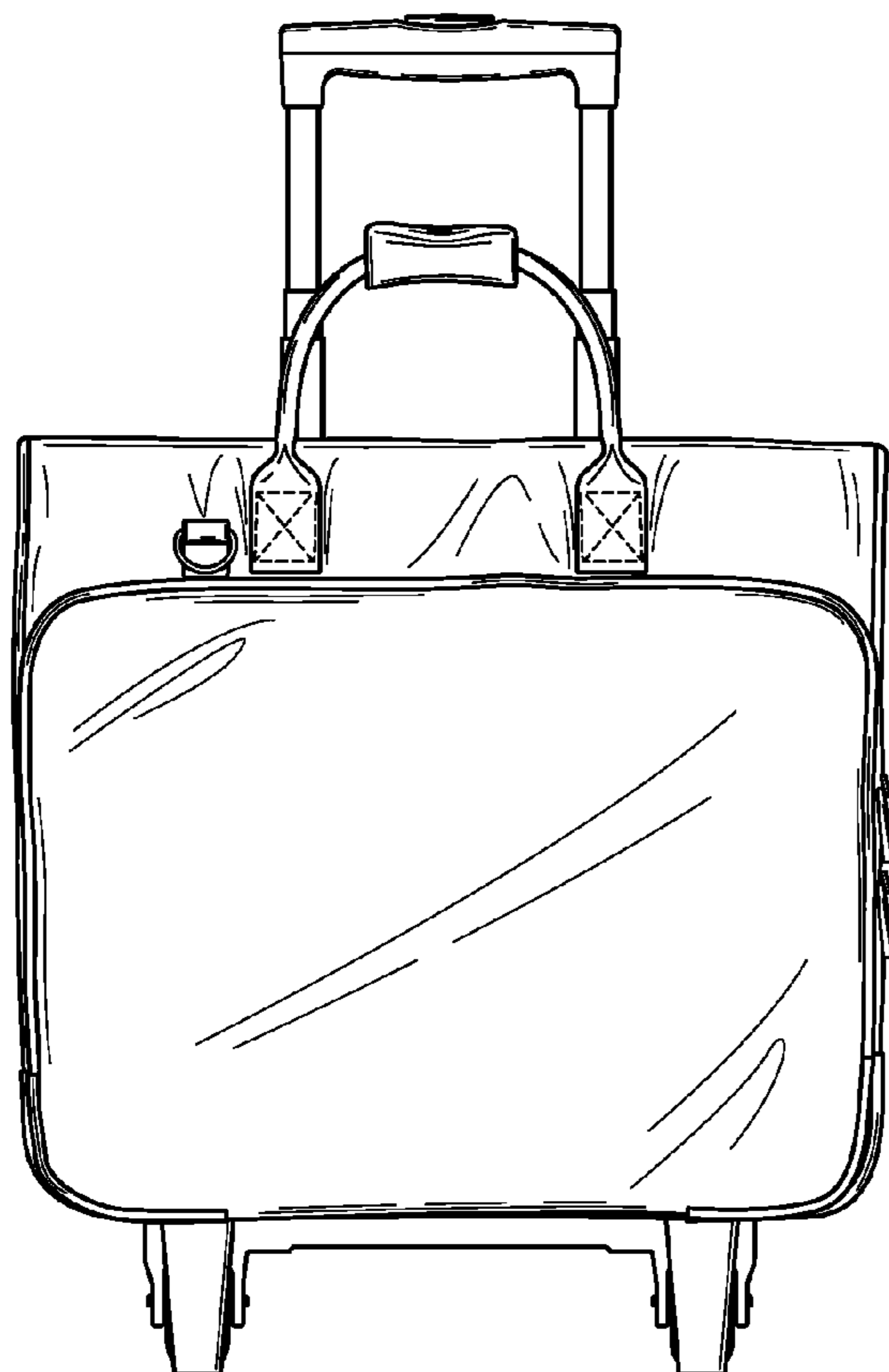


FIG. 2

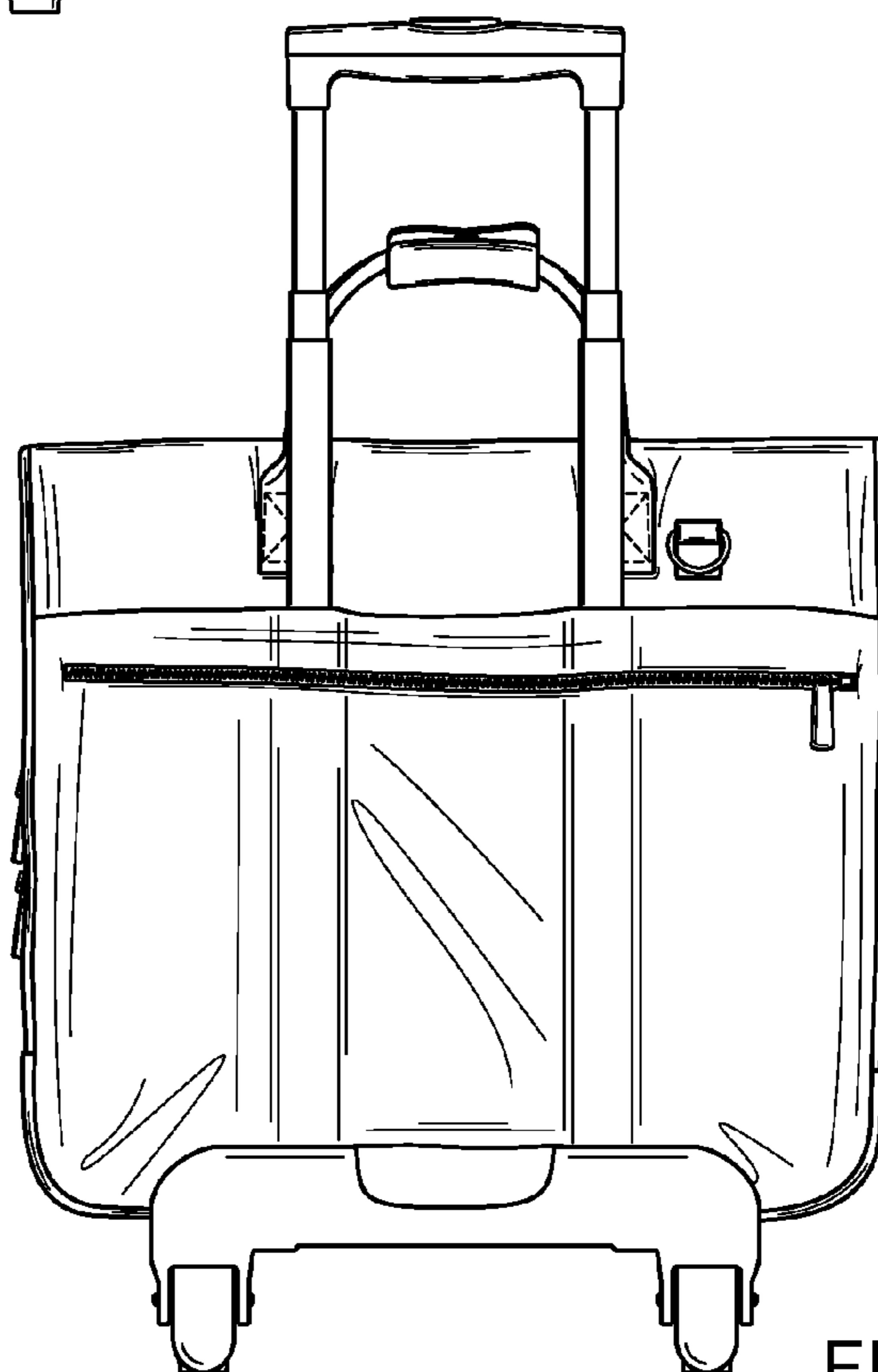


FIG. 3

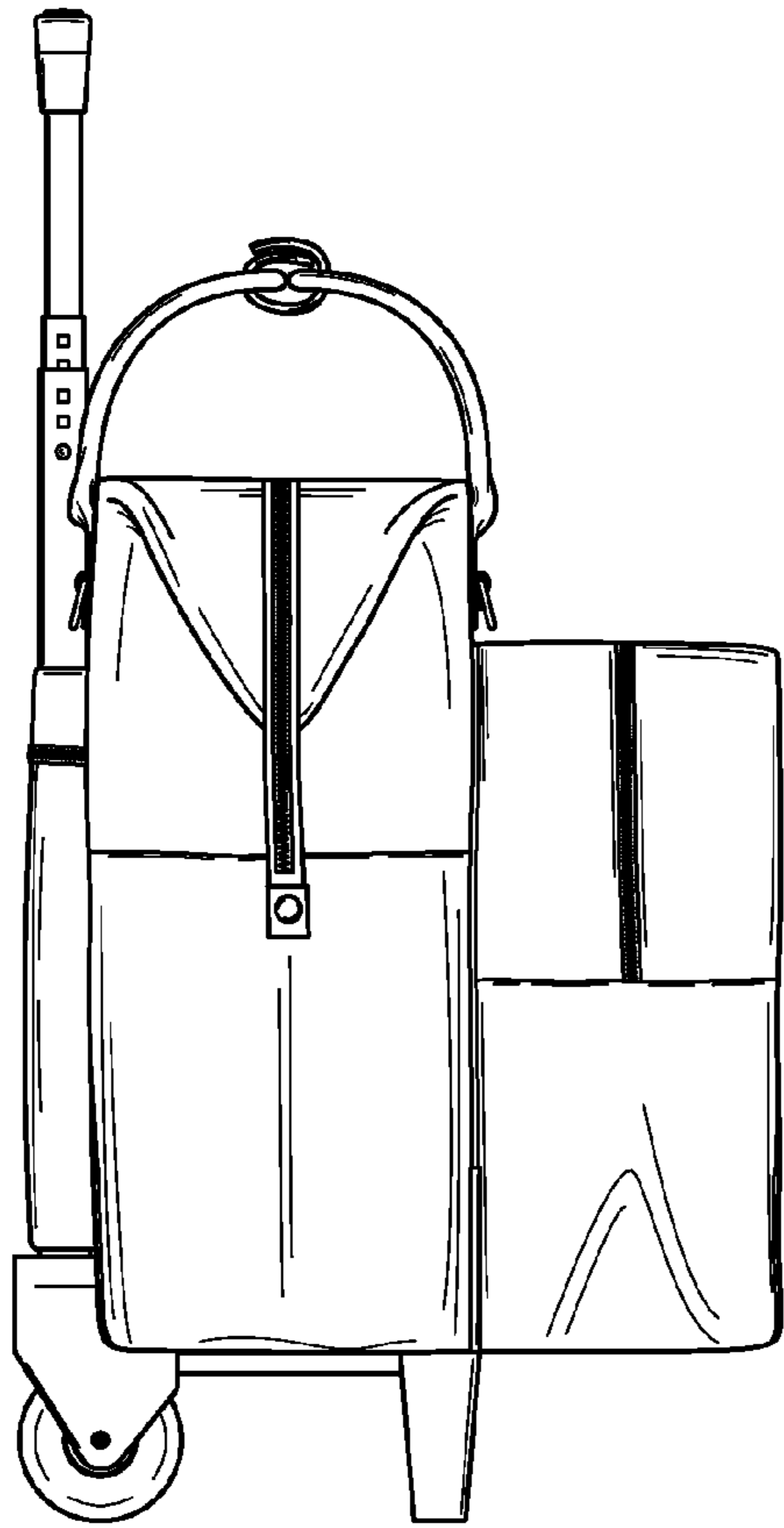


FIG. 4

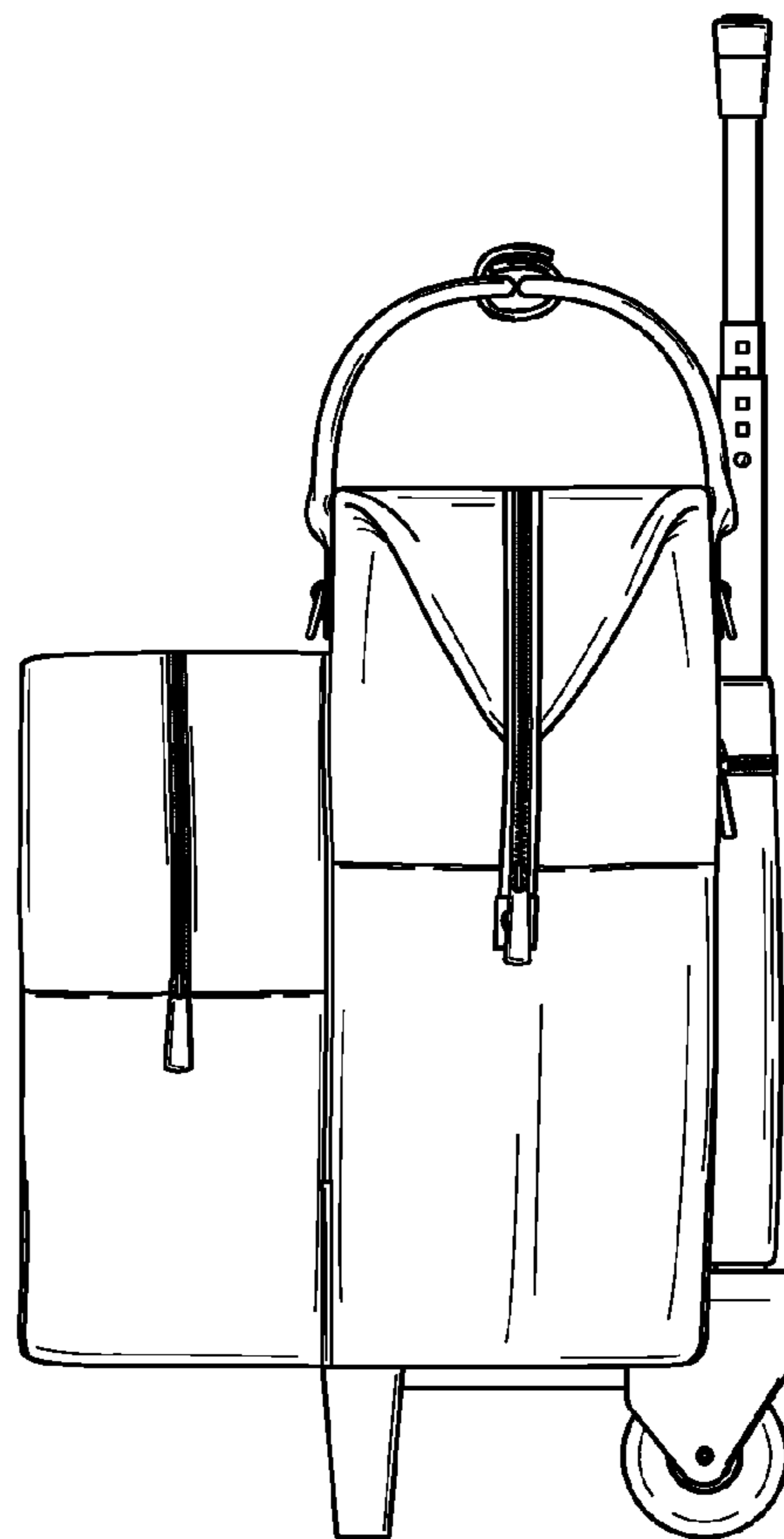


FIG. 5

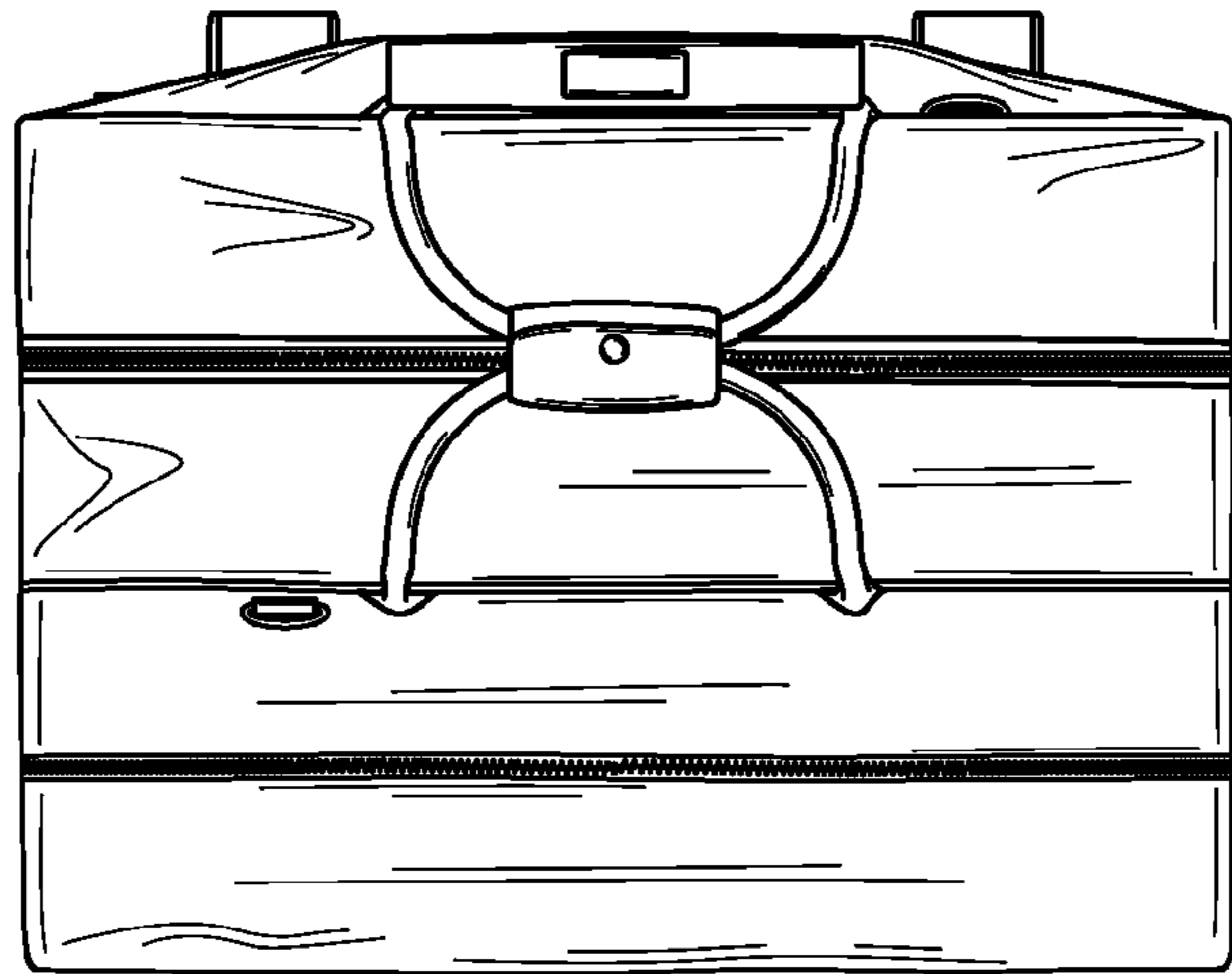


FIG. 6

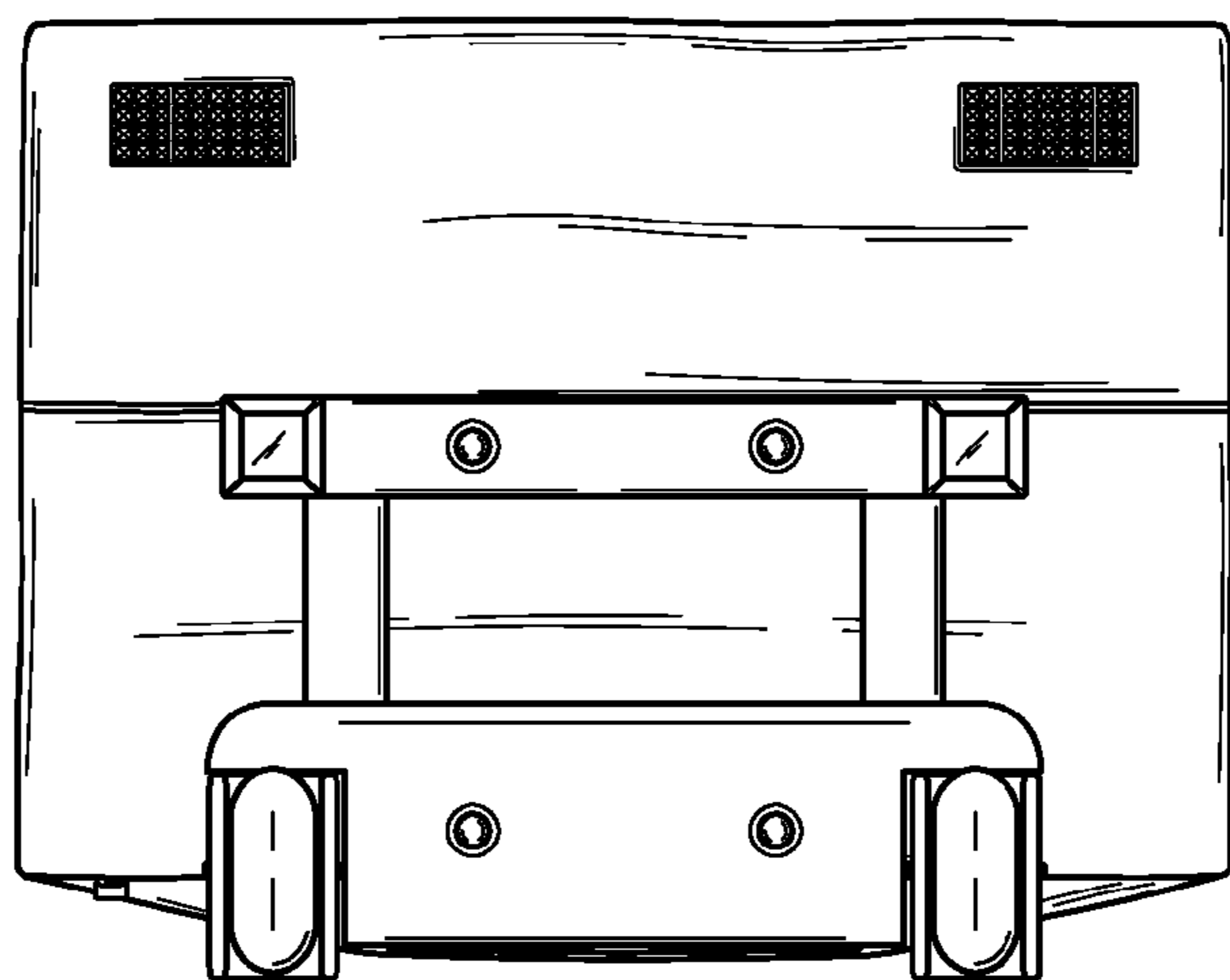


FIG. 7