



US00D691794S

(12) **United States Design Patent**
Curran-Blaney et al.

(10) **Patent No.:** **US D691,794 S**
(45) **Date of Patent:** **** Oct. 22, 2013**

(54) **ELECTRONIC DEVICE HOLSTER**

(71) Applicant: **Research in Motion Limited**, Waterloo (CA)

(72) Inventors: **Caitlin Curran-Blaney**, Toronto (CA);
Alison Phillips, Toronto (CA)

(73) Assignee: **BlackBerry Limited**, Waterloo, Ontario (CA)

(**) Term: **14 Years**

(21) Appl. No.: **29/444,984**

(22) Filed: **Feb. 6, 2013**

(51) **LOC (9) Cl.** **03-01**

(52) **U.S. Cl.**
USPC **D3/218**

(58) **Field of Classification Search**
USPC D3/218, 215, 219, 201, 232–233,
D3/247–249, 303, 900; 206/305, 320;
D14/138, 250–251, 253;
455/575.1–575.9; 224/269, 666, 678,
224/640, 646, 930, 940; 379/446, 455

See application file for complete search history.

(56) **References Cited**

U.S. PATENT DOCUMENTS

D611,703 S *	3/2010	Fahrendorff et al.	D3/218
D656,726 S *	4/2012	Flores	D3/232
D671,737 S *	12/2012	Fahrendorff et al.	D3/218
D681,952 S *	5/2013	Phillips et al.	D3/303
D683,953 S *	6/2013	Phillips et al.	D3/218

* cited by examiner

Primary Examiner — Catheri Oliver-Garcia

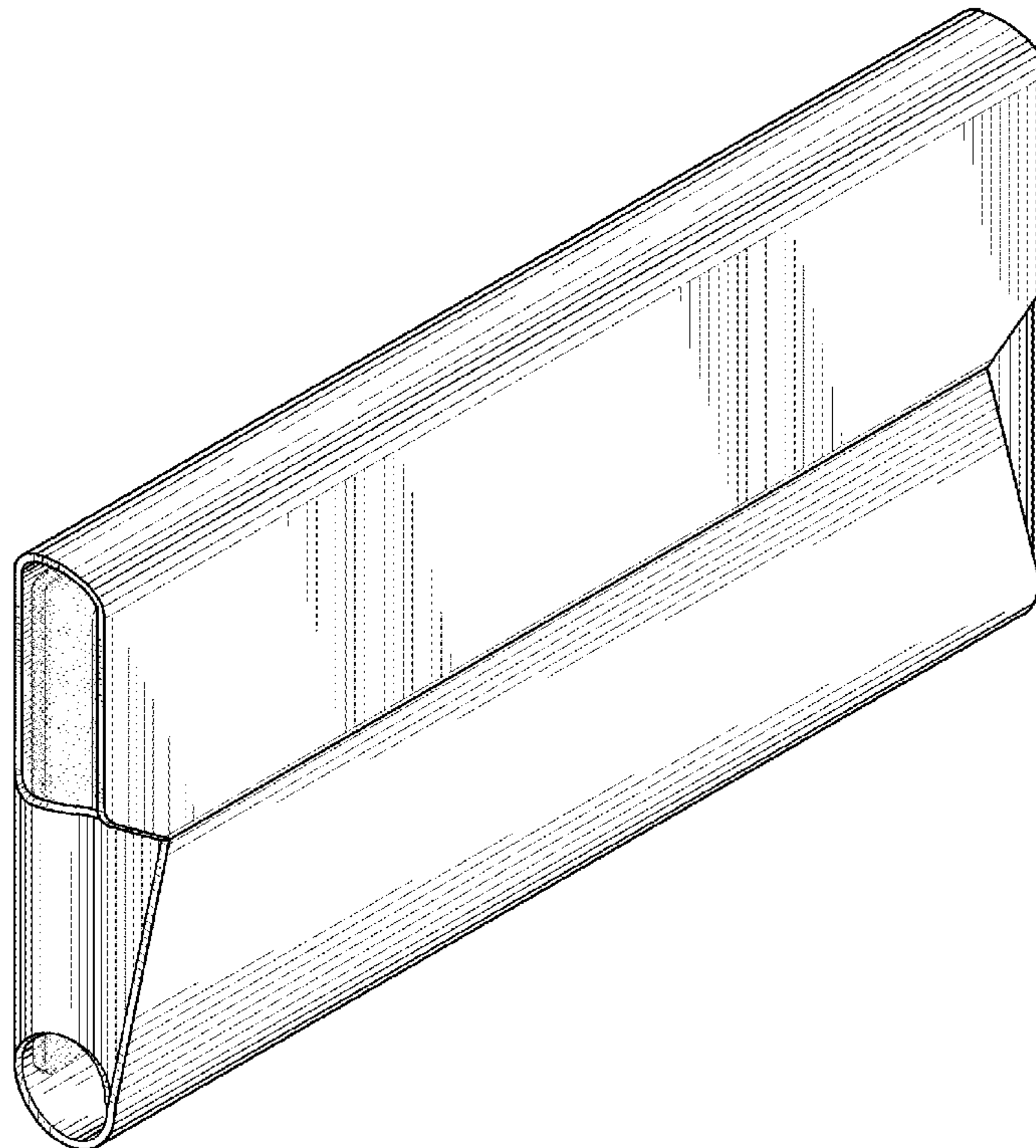
(57) **CLAIM**

The ornamental design for an electronic device holster, as shown and described.

DESCRIPTION

FIG. 1 is a front perspective view of an electronic device holster showing the Applicant's new design; FIG. 2 is another perspective view showing a rear thereof; FIG. 3 is a front elevation view thereof; FIG. 4 is a rear elevation view thereof; FIG. 5 is a top plan view thereof; FIG. 6 is a bottom plan view thereof; FIG. 7 is an elevation view showing a left side thereof; FIG. 8 is another elevation view showing a right side thereof; and, FIG. 9 is another front perspective view thereof showing the electronic device holster in an open configuration.

1 Claim, 6 Drawing Sheets



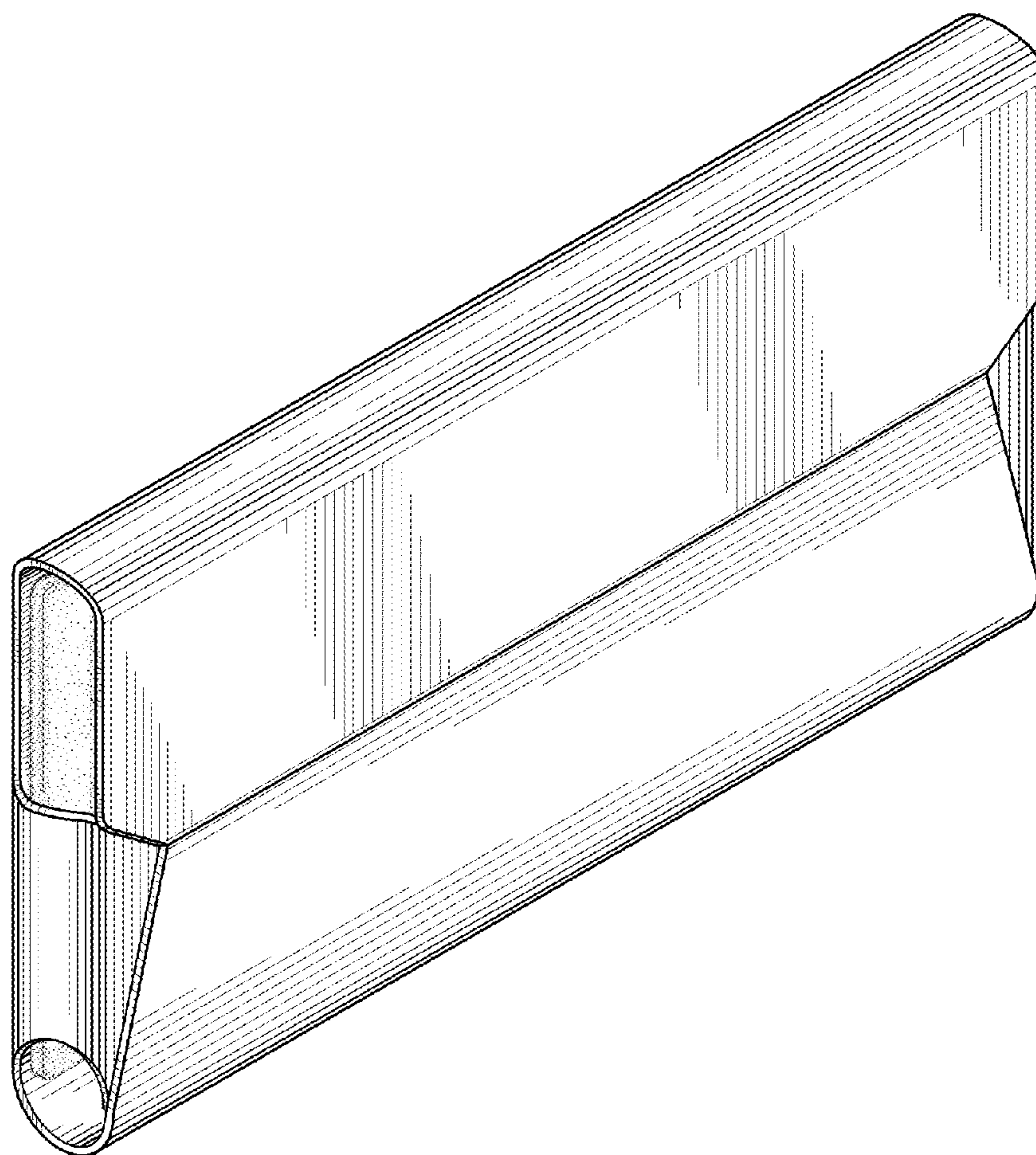


FIG. 1

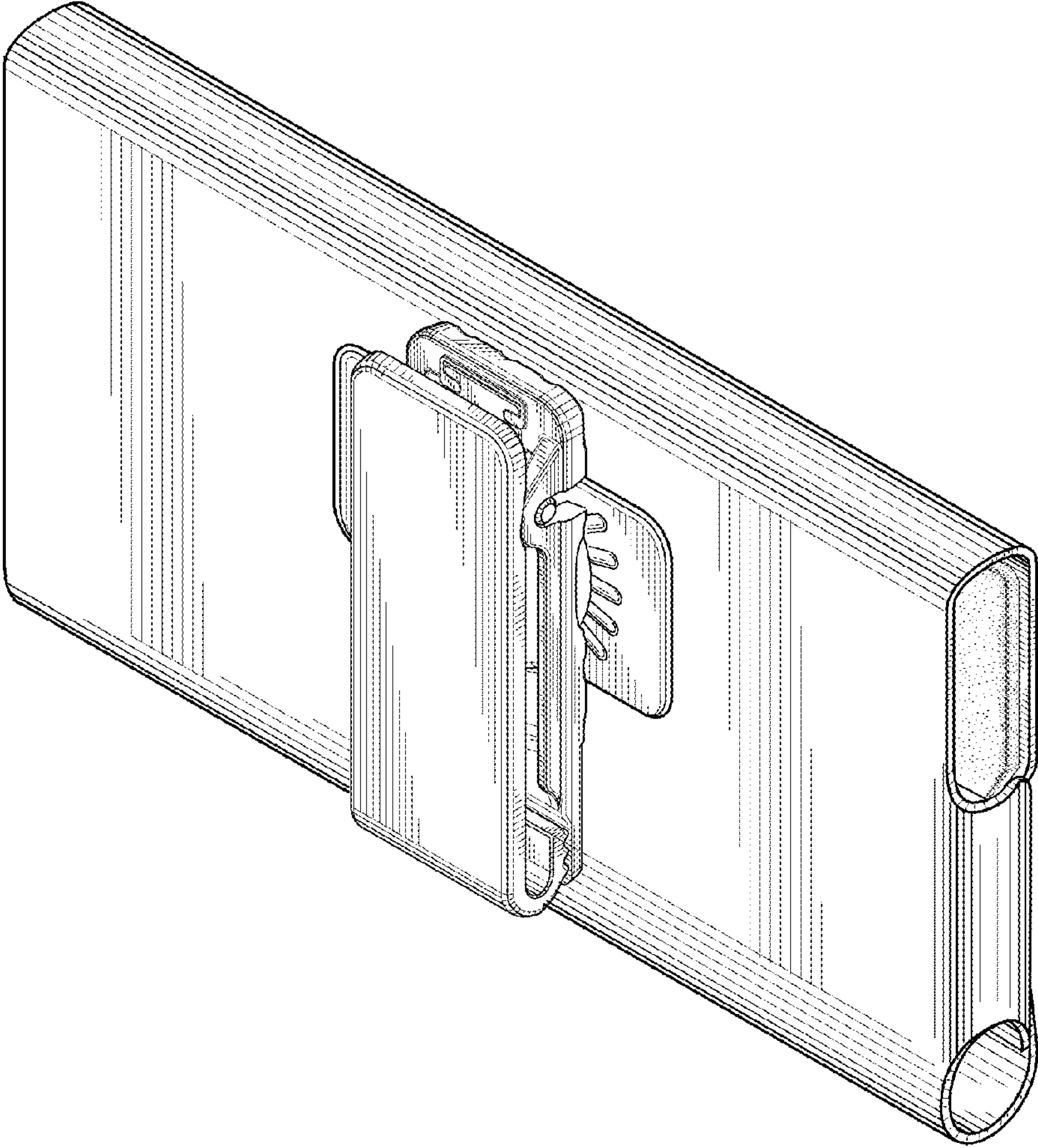


FIG.2

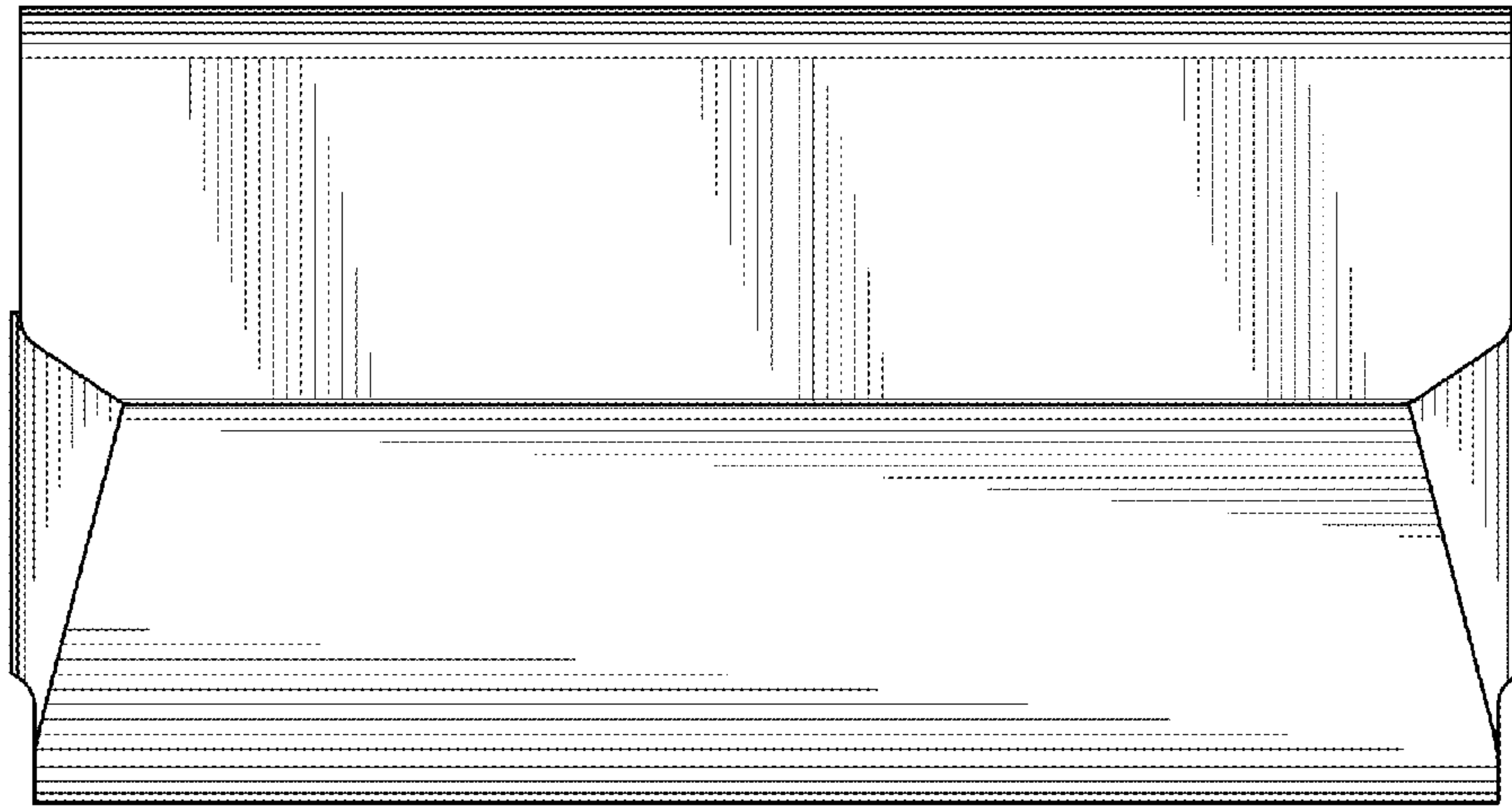


FIG. 3

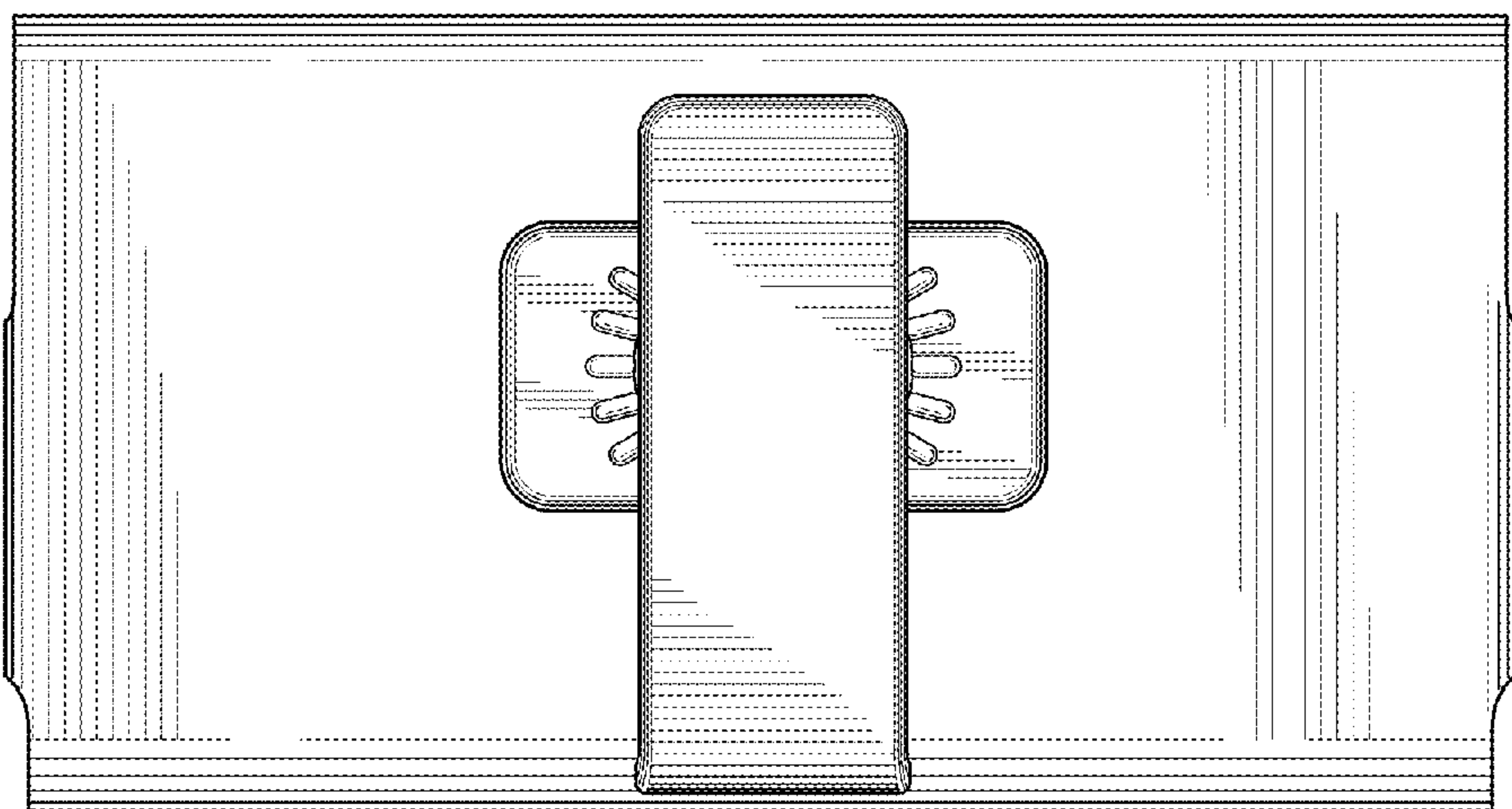


FIG. 4

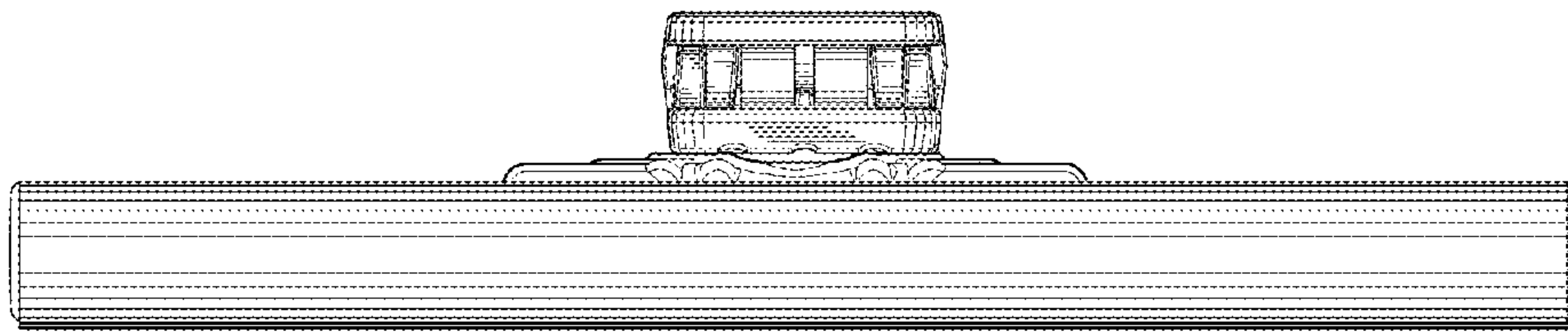


FIG.5

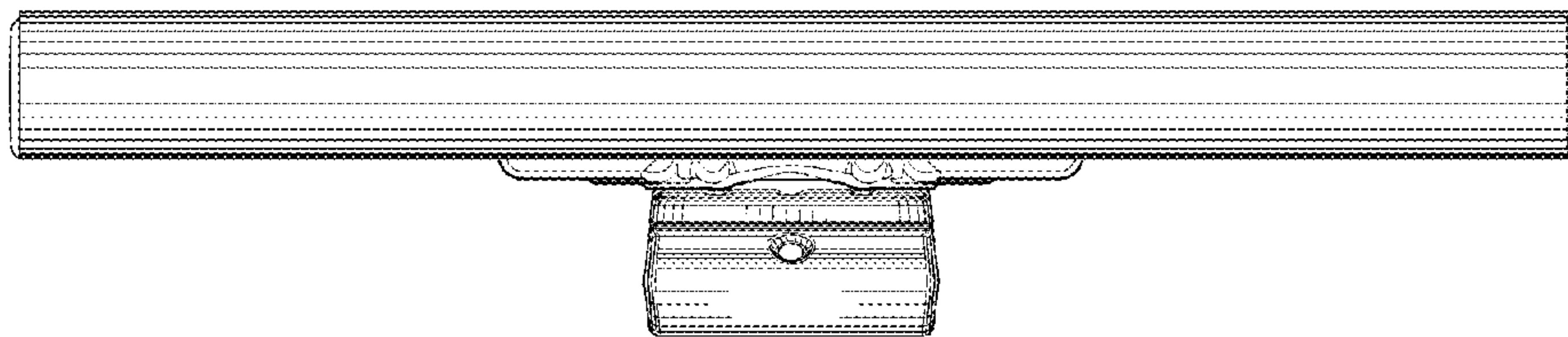


FIG.6

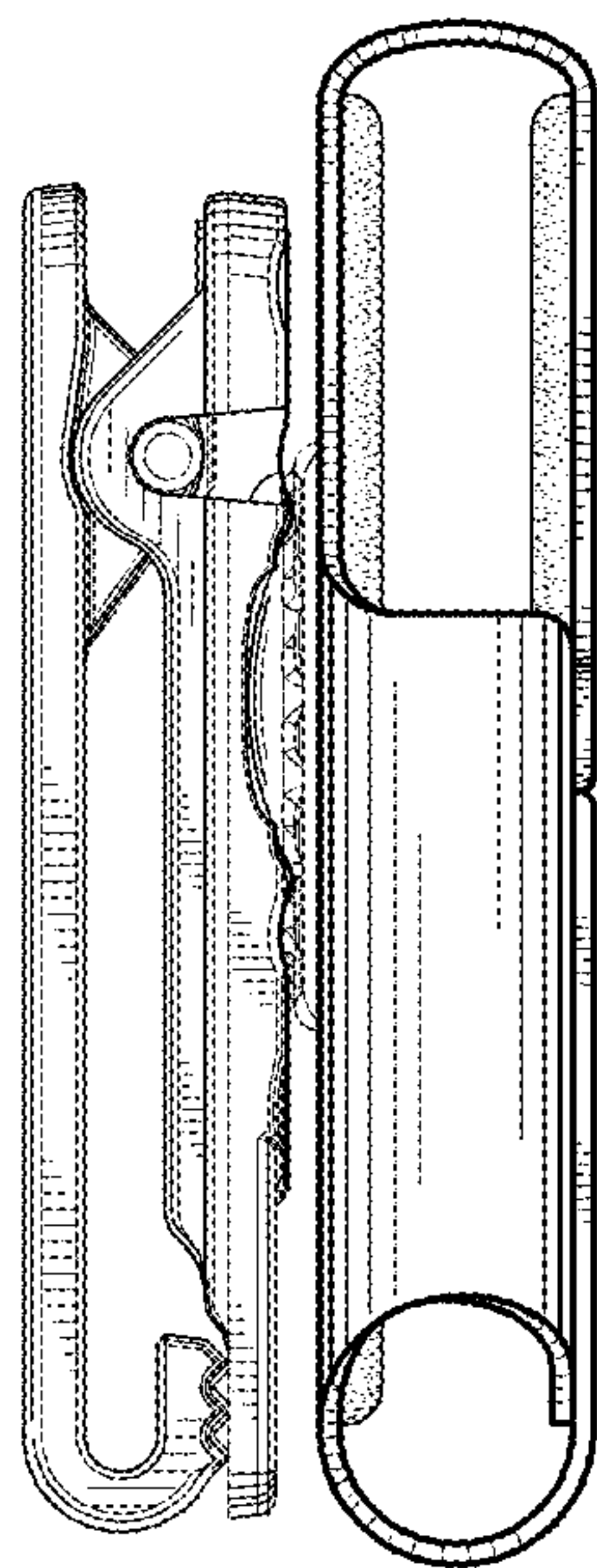


FIG. 7

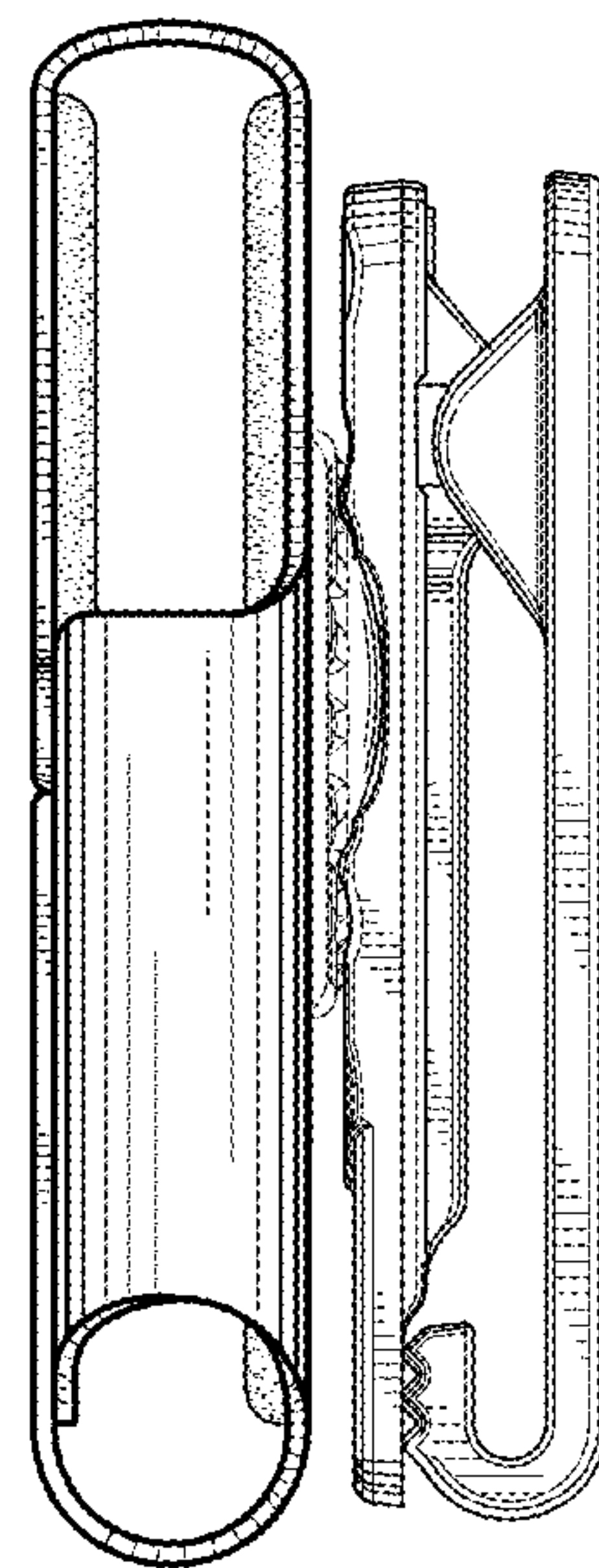


FIG. 8

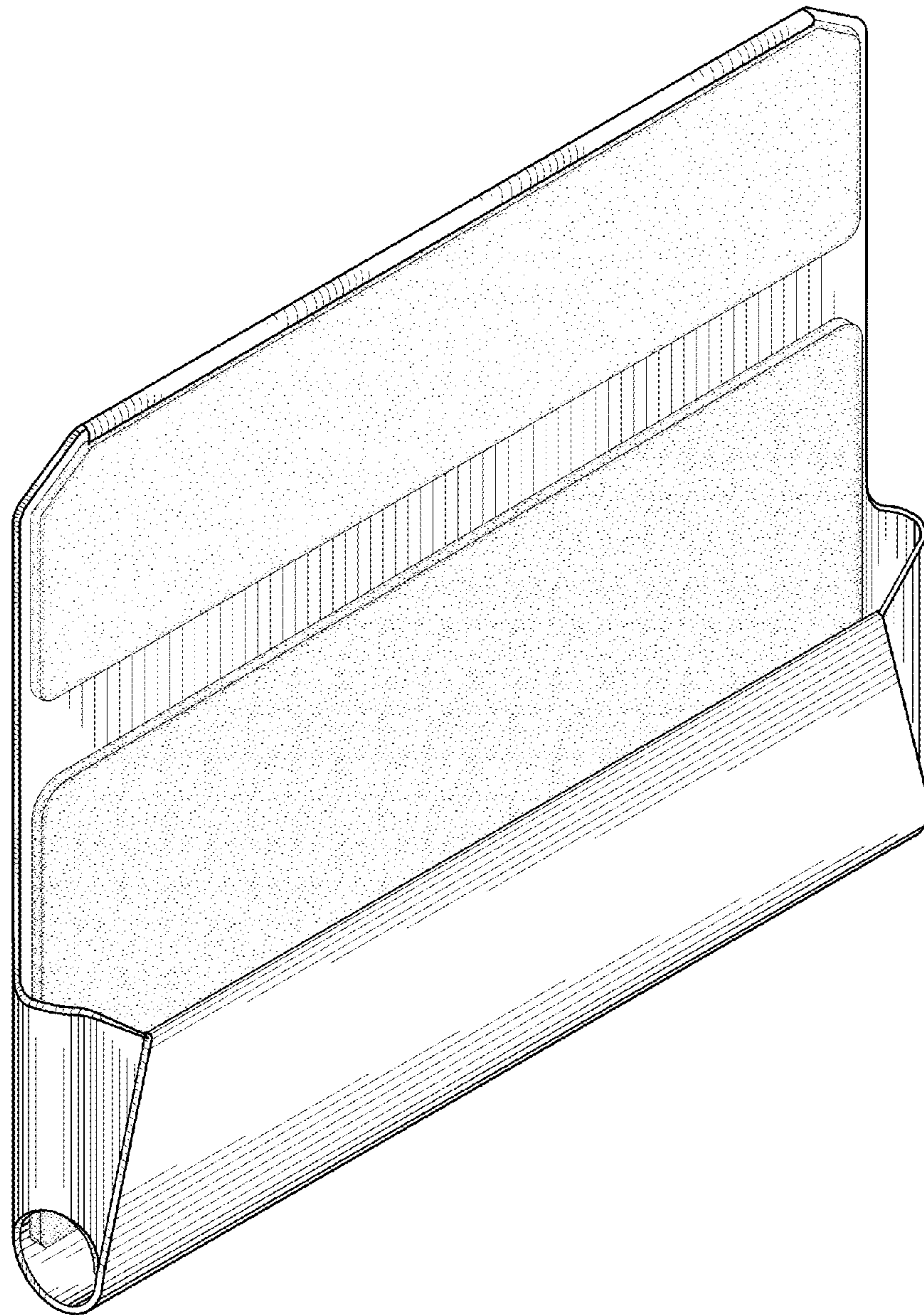


FIG.9