



US00D691793S

(12) **United States Design Patent**
Anigwe

(10) **Patent No.:** **US D691,793 S**

(45) **Date of Patent:** **** Oct. 22, 2013**

(54) **SPORTS BACKPACK**

(76) **Inventor:** **Millicent N. Anigwe**, Coppel, TX (US)

(**) **Term:** **14 Years**

(21) **Appl. No.:** **29/410,403**

(22) **Filed:** **Jan. 6, 2012**

(51) **LOC (9) Cl.** **03-01**

(52) **U.S. Cl.**
USPC **D3/217**

(58) **Field of Classification Search**
USPC D3/216, 217, 215, 214, 271.9, 300, 238,
D3/257; D6/632; 206/315.9; 224/153, 645,
224/576, 577, 578, 575

See application file for complete search history.

(56) **References Cited**

U.S. PATENT DOCUMENTS

D229,793 S *	1/1974	Tibbs	D3/238
D229,871 S *	1/1974	Tibbs	D3/238
D318,400 S	7/1991	Raucci		
D345,049 S	3/1994	Pollack		
D346,273 S *	4/1994	Lucas	D3/271.9
5,370,287 A *	12/1994	Cormier	224/153
D358,023 S	5/1995	Poire		
D375,833 S	11/1996	Dixon et al.		
D384,199 S	9/1997	Dixon et al.		
D398,148 S *	9/1998	Jones et al.	D3/217
D426,951 S *	6/2000	Rohrbach et al.	D3/217
D437,482 S *	2/2001	Rugg	D3/257
6,286,674 B1 *	9/2001	Richard et al.	206/315.9
D469,608 S *	2/2003	Nevins	D3/300
D488,020 S *	4/2004	Fung	D6/632
D505,594 S	5/2005	Minor et al.		

6,892,916 B1 *	5/2005	Rugg	224/645
D517,801 S *	3/2006	Woo	D3/217
D539,034 S *	3/2007	Friedman	D3/271.9
D547,948 S	8/2007	Friedman		
D590,148 S	4/2009	Lin		
D603,157 S *	11/2009	Hutchinson	D3/217
D629,605 S	12/2010	Traiger		
D635,761 S	4/2011	Hedaya		
D636,990 S	5/2011	Traiger		
D646,053 S	10/2011	Traiger		
2002/0139820 A1 *	10/2002	Godshaw et al.	224/153
2005/0230445 A1 *	10/2005	Woo	224/576

* cited by examiner

Primary Examiner — Caron D Veynar

Assistant Examiner — Martie K Holtje

(74) *Attorney, Agent, or Firm* — QuickPatents; Kevin Prince

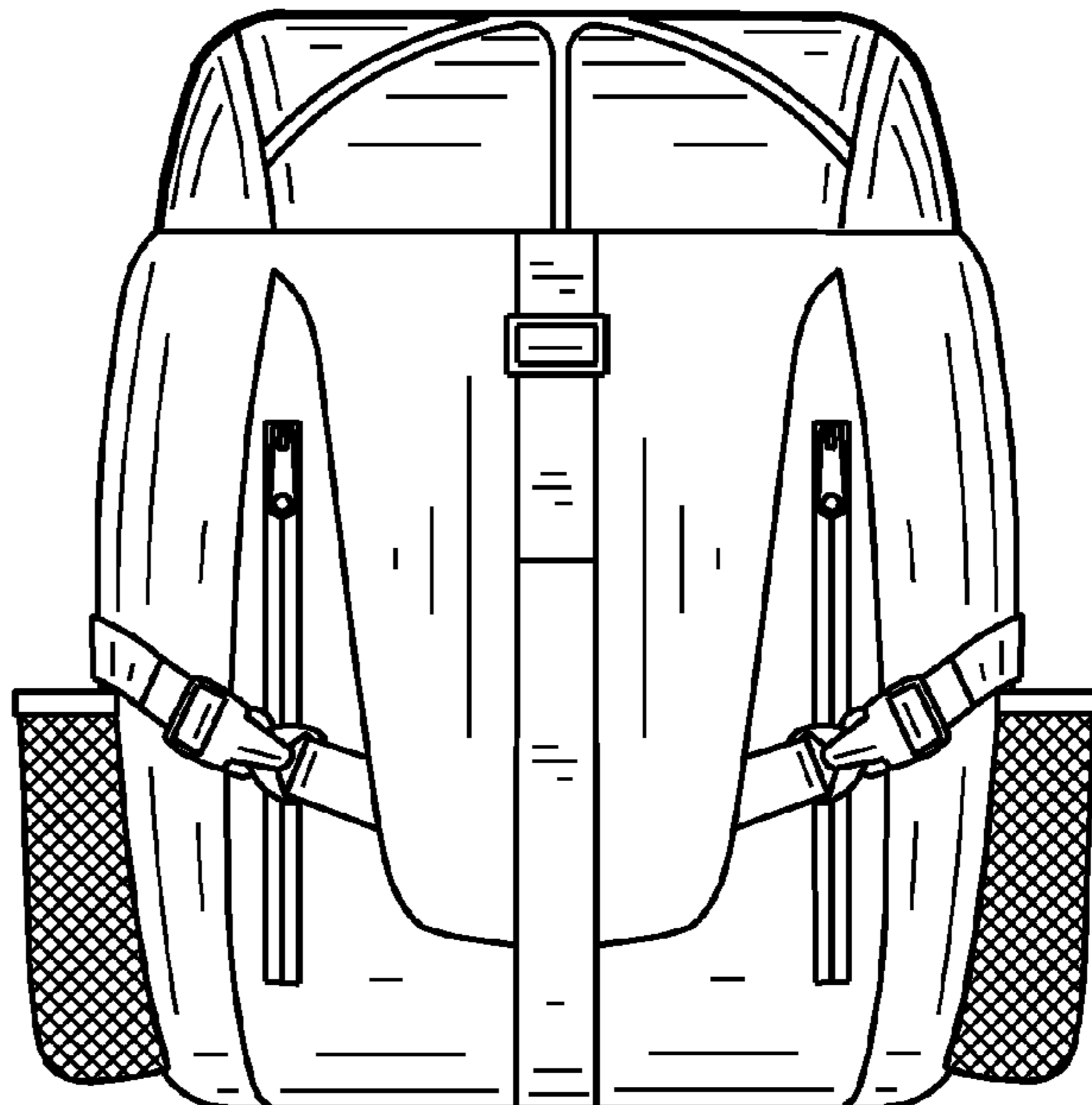
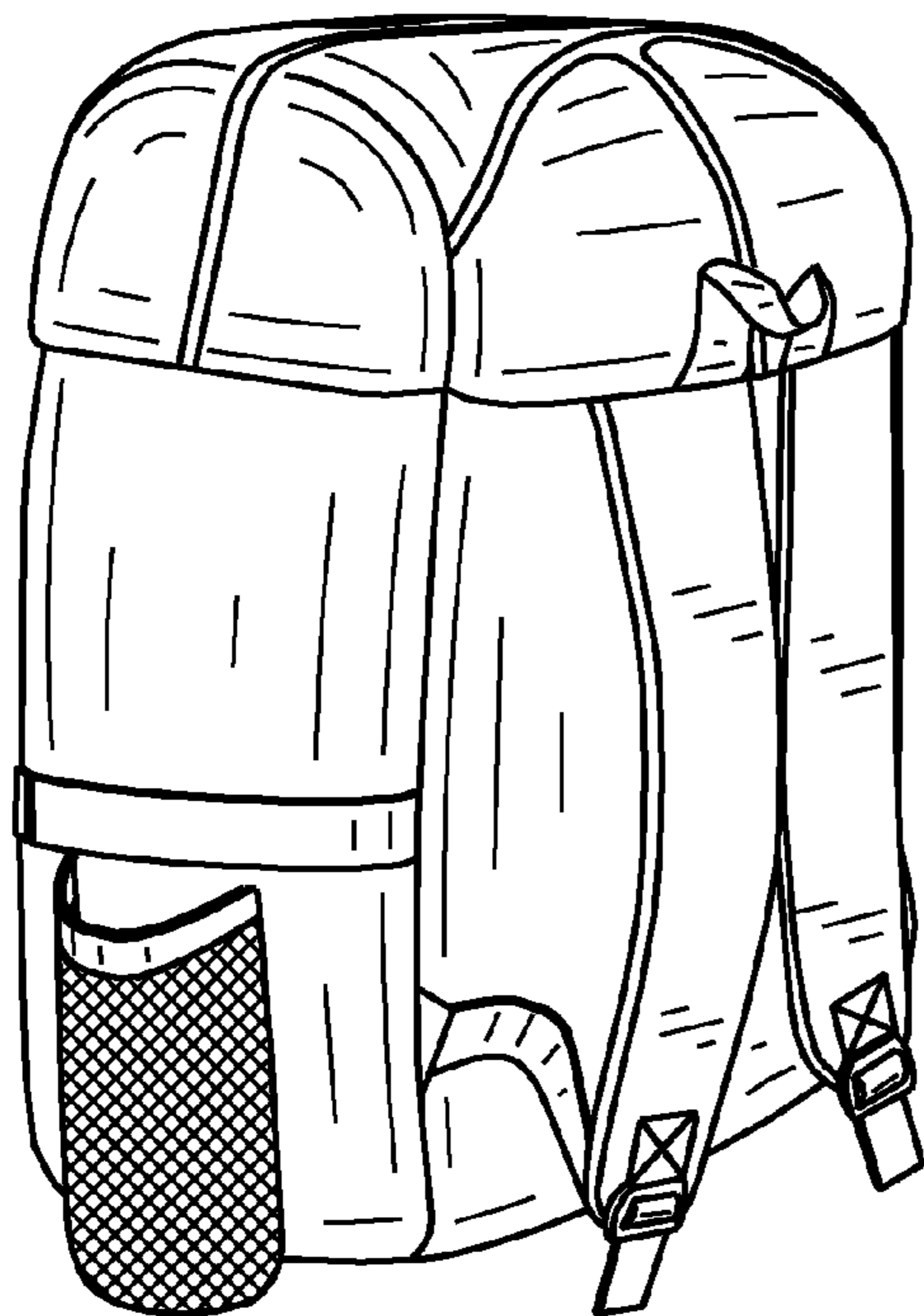
(57) **CLAIM**

I claim the ornamental design for a sports backpack, as shown and described.

DESCRIPTION

FIG. 1 is a rear perspective view of a sports backpack, showing my new design;
FIG. 2 is a front elevational view thereof;
FIG. 3 is a rear elevational view thereof;
FIG. 4 is a left side elevational view, the right side elevational view being a mirror image thereof;
FIG. 5 is a top plan view thereof; and,
FIG. 6 is a bottom plan view thereof.
The broken lines in the FIG. 6 view are included for the purpose of illustrating structural elements that form no part of the claimed design.

1 Claim, 3 Drawing Sheets



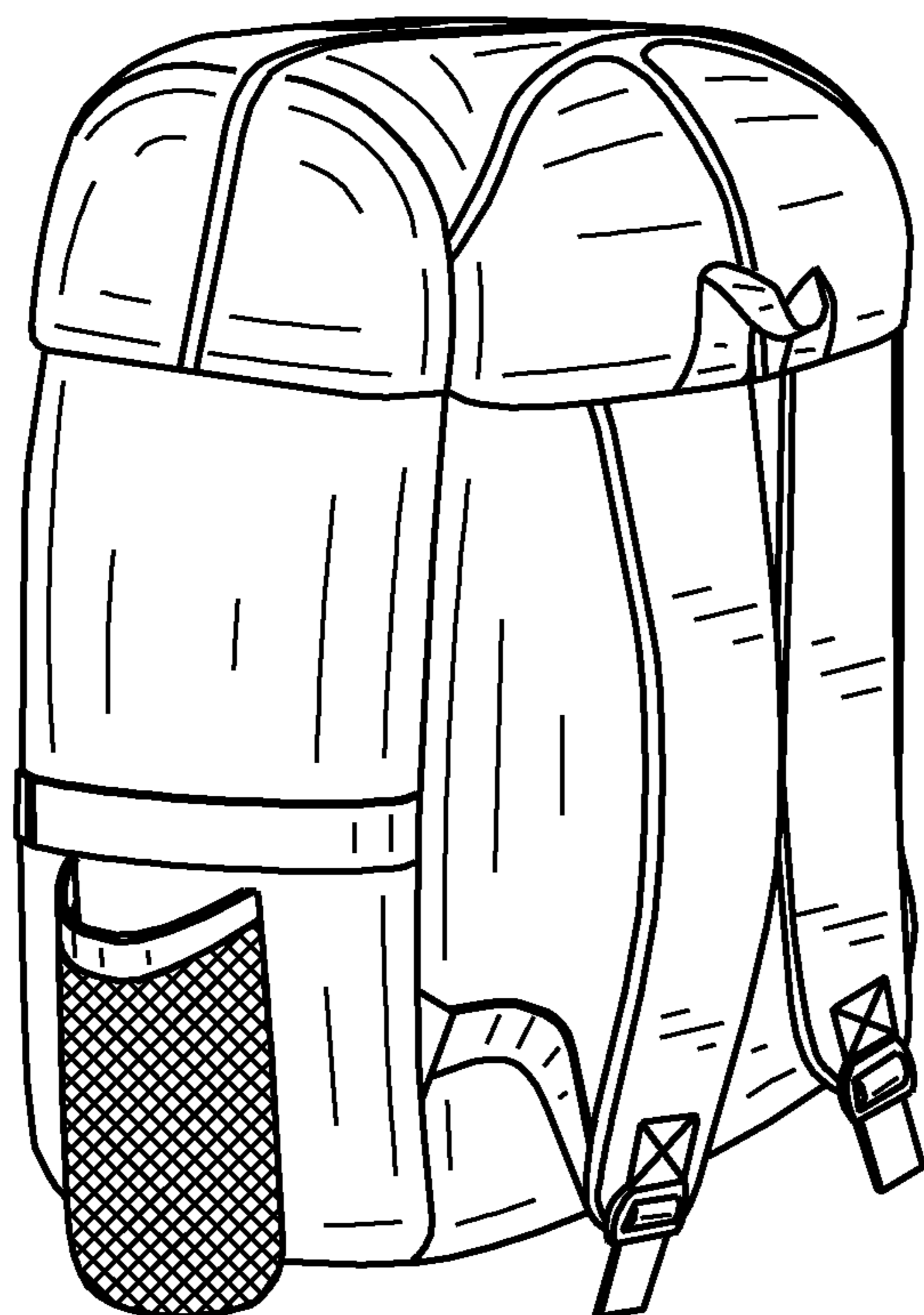
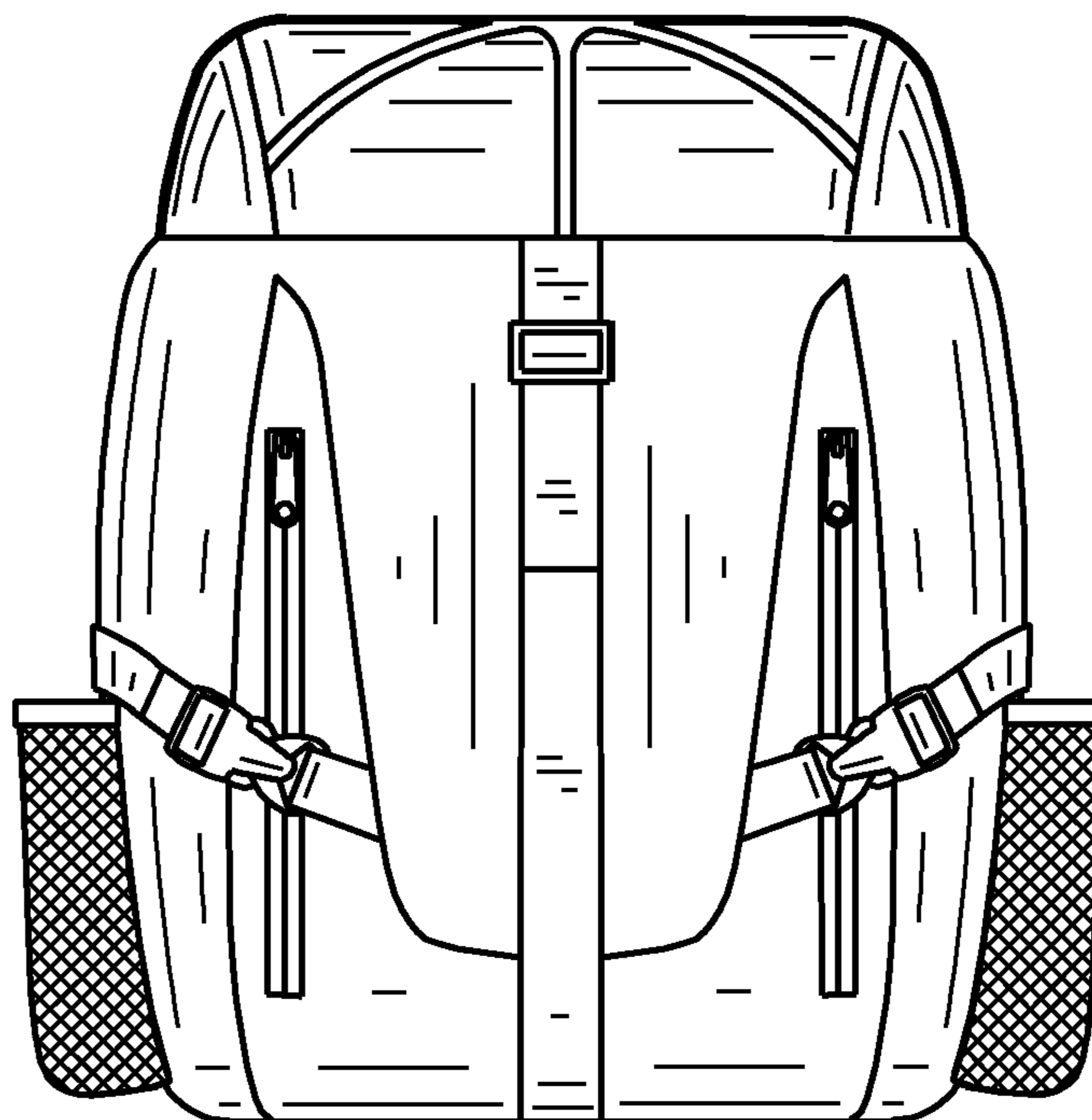


FIG. 1

FIG. 2



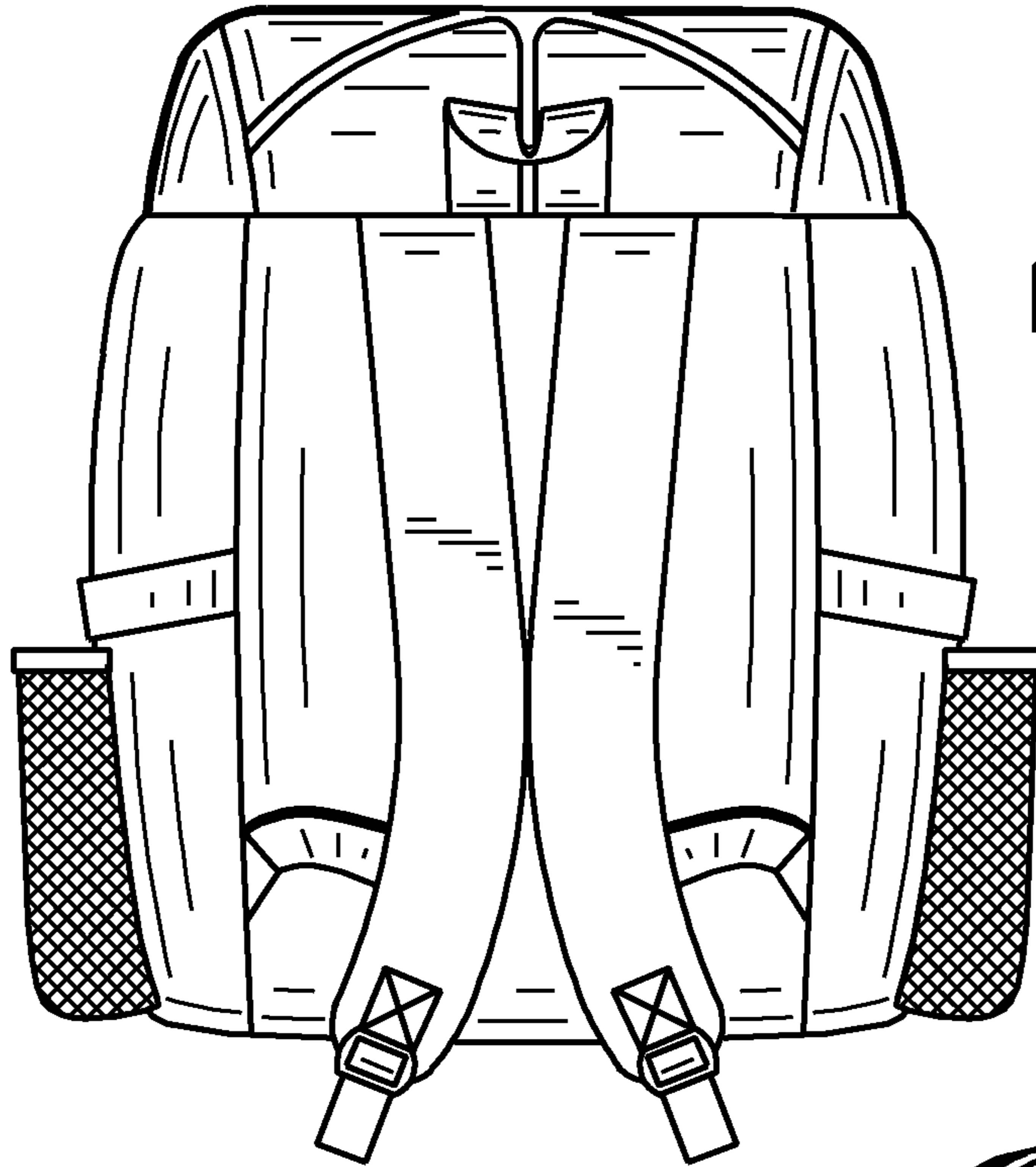


FIG. 3

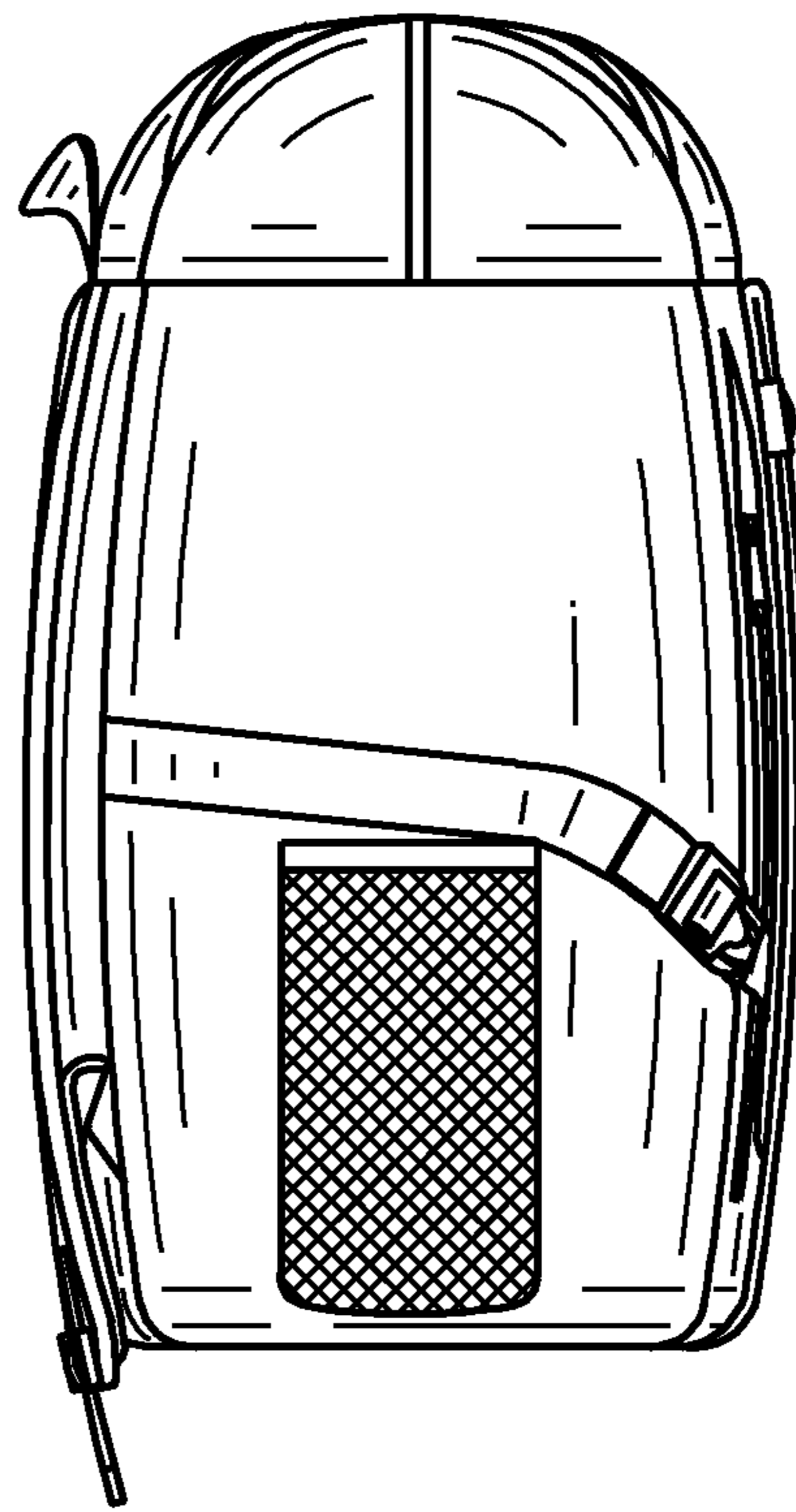


FIG. 4

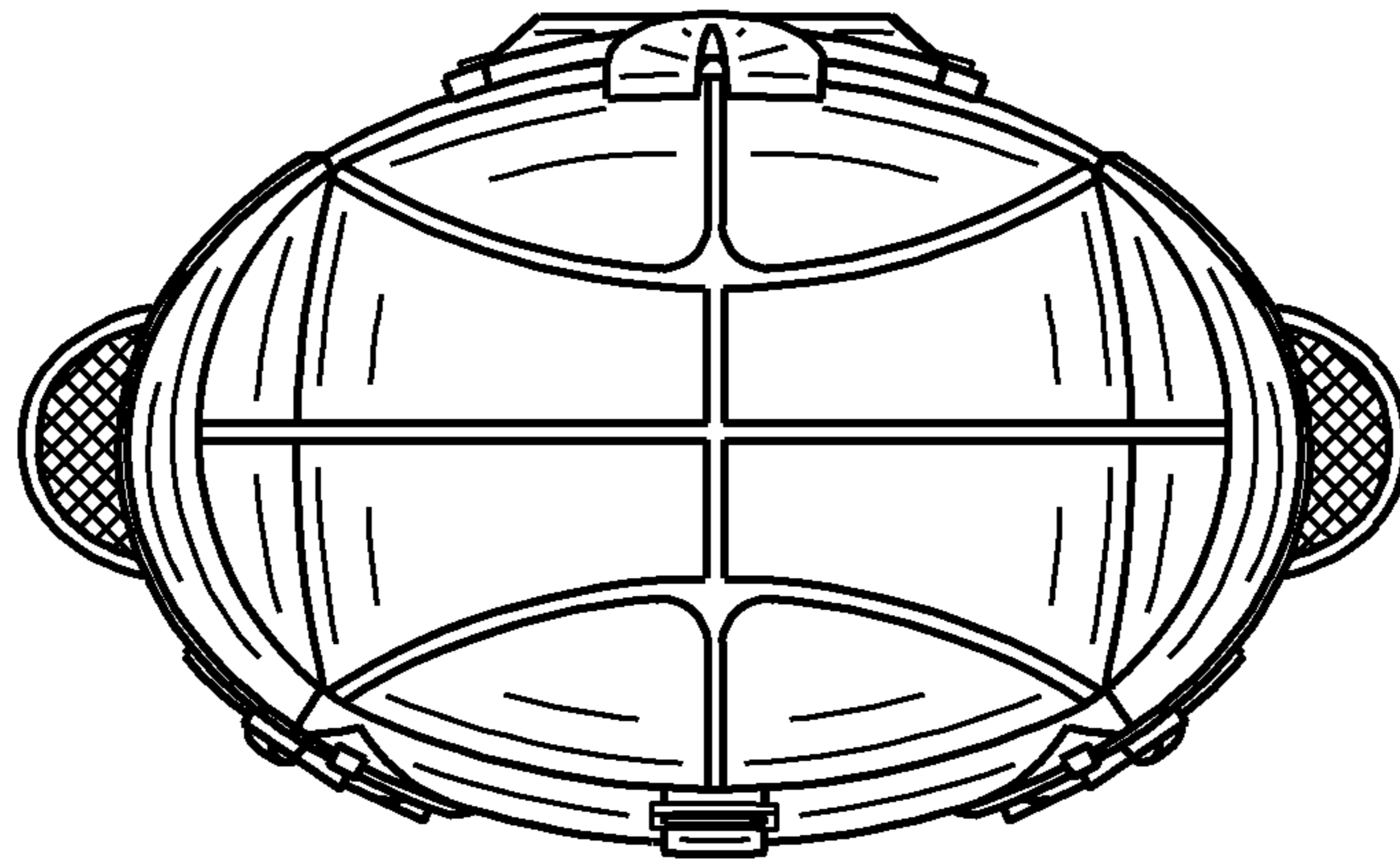


FIG. 5

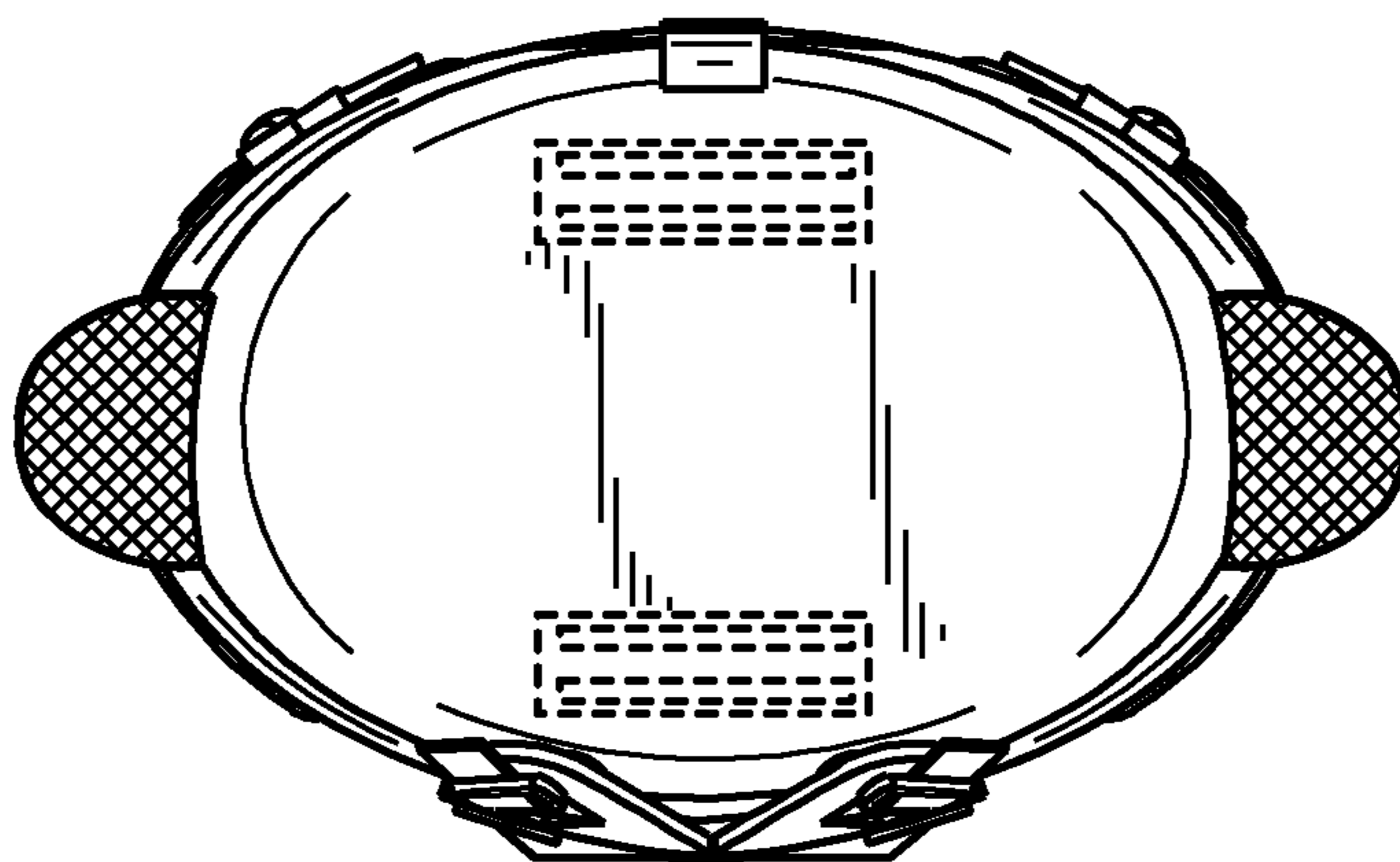


FIG. 6