



US00D691775S

(12) **United States Design Patent**  
**Williams**

(10) **Patent No.:** **US D691,775 S**  
(45) **Date of Patent:** **\*\* Oct. 15, 2013**

(54) **BOOT DRYER**

(75) Inventor: **Gary Williams**, Langley (CA)

(73) Assignee: **Williams Boot & Glove Dryers Inc.**,  
Langley BC (CA)

(\*\*) Term: **14 Years**

(21) Appl. No.: **29/392,604**

(22) Filed: **May 24, 2011**

(51) **LOC (9) Cl.** ..... **07-05**

(52) **U.S. Cl.**  
USPC ..... **D32/58**

(58) **Field of Classification Search**  
USPC ..... D32/8, 58, 59; D24/109; D7/708;  
34/90, 600, 523, 441, 381, 240, 106, 105,  
34/104, 103; D2/979  
See application file for complete search history.

(56) **References Cited**

U.S. PATENT DOCUMENTS

D310,742 S *	9/1990	Johnson	.....	D32/58
D322,343 S *	12/1991	Pearcy	.....	D32/58
D347,094 S *	5/1994	Christensen, Jr.	.....	D32/58
D383,274 S *	9/1997	Wilson	.....	D32/58
D412,231 S *	7/1999	Williams et al.	.....	D32/58

D487,831 S *	3/2004	Savoie	.....	D32/58
D576,773 S *	9/2008	Beckett	.....	D32/58
D641,528 S *	7/2011	Wai	.....	D32/58
D648,091 S *	11/2011	Southwick	.....	D32/58
D682,499 S *	5/2013	Williams	.....	D32/58
D683,096 S *	5/2013	Stumpo	.....	D32/58

\* cited by examiner

*Primary Examiner* — Austin Murphy

(74) *Attorney, Agent, or Firm* — Fay Sharpe LLP

(57) **CLAIM**

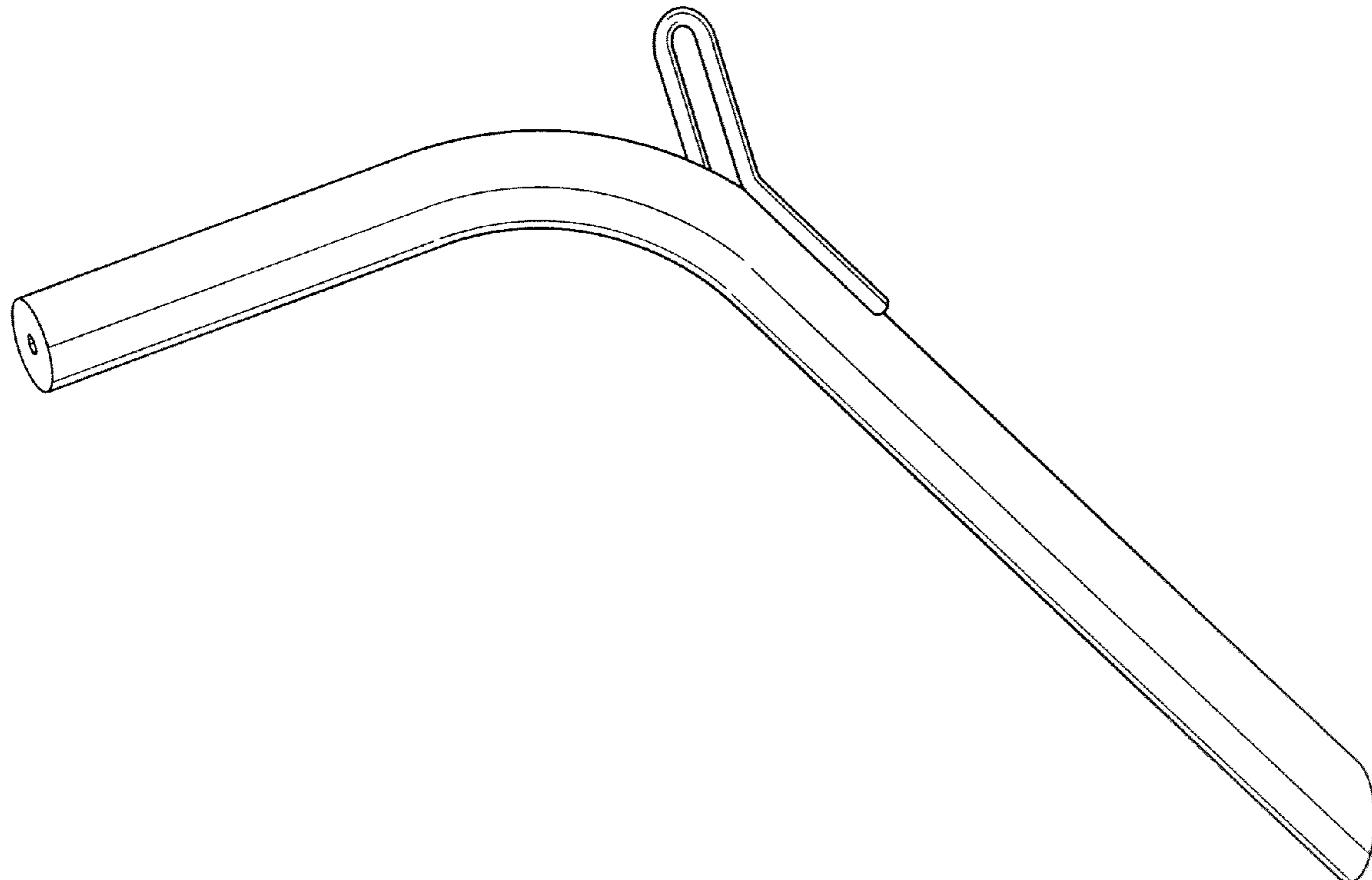
The ornamental design for a boot dryer, as shown and described.

**DESCRIPTION**

FIG. 1 is a perspective view of a dryer boot hanging arm;  
FIG. 2 is a first side plan view thereof;  
FIG. 3 is a top end view thereof;  
FIG. 4 is a bottom end view;  
FIG. 5 is a front plan view thereof;  
FIG. 6 is a rear plan view thereof; and,  
FIG. 7 is a perspective view of plural arms shown in a position of use.

The broken lines shown in the drawings represent portions of the boot dryer that form no part of the claimed design.

**1 Claim, 4 Drawing Sheets**



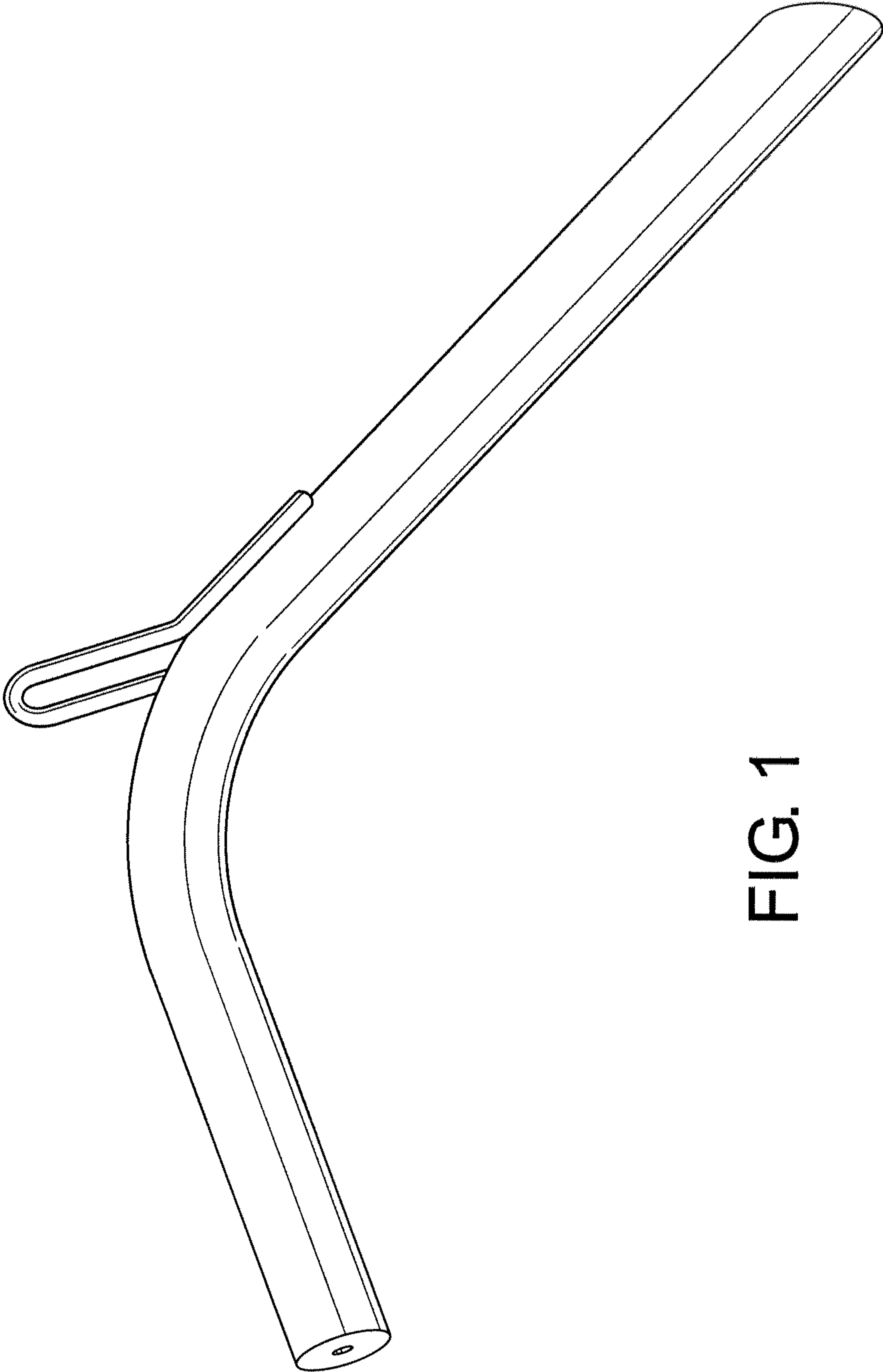


FIG. 1



FIG. 3

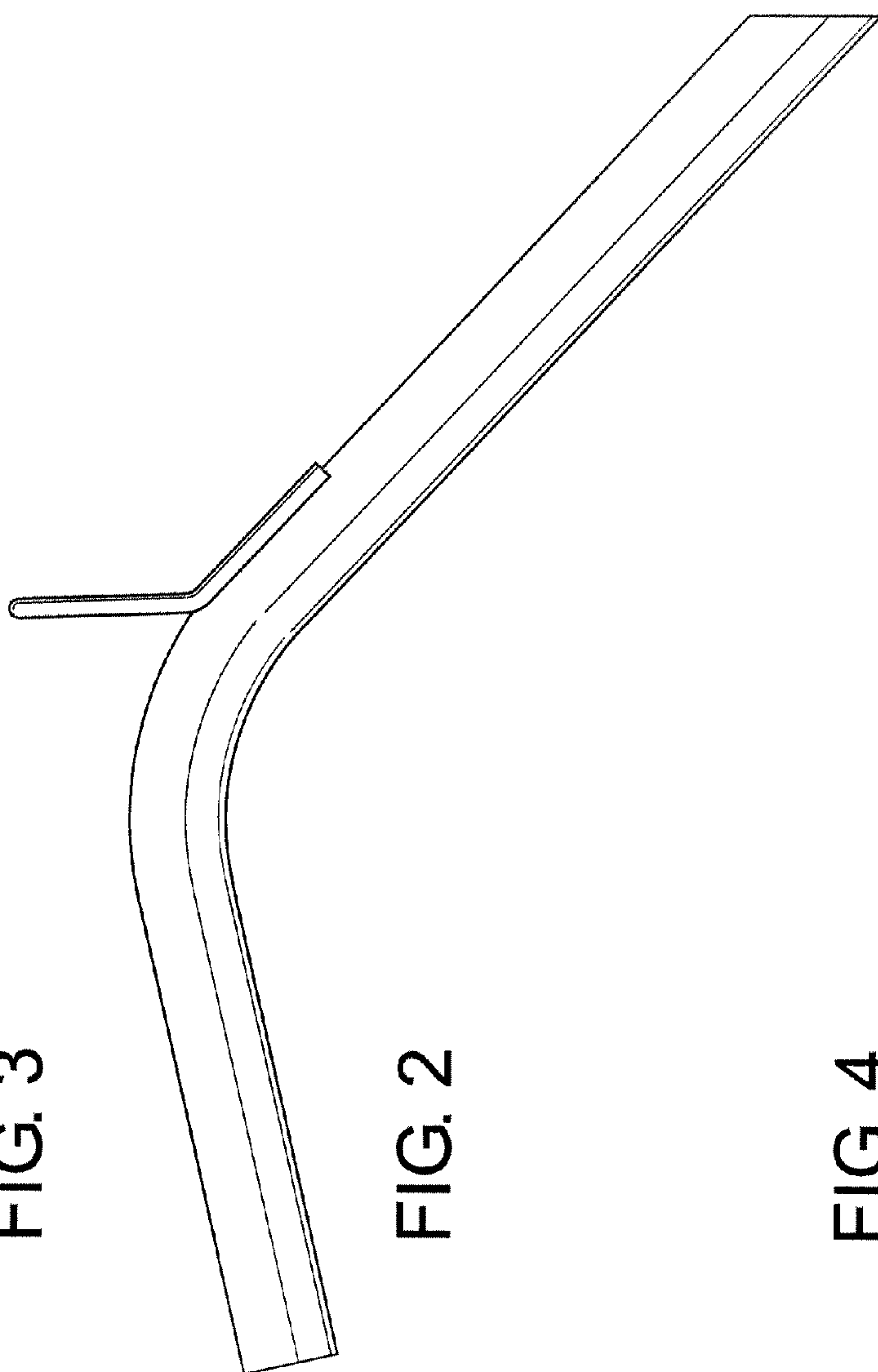


FIG. 2

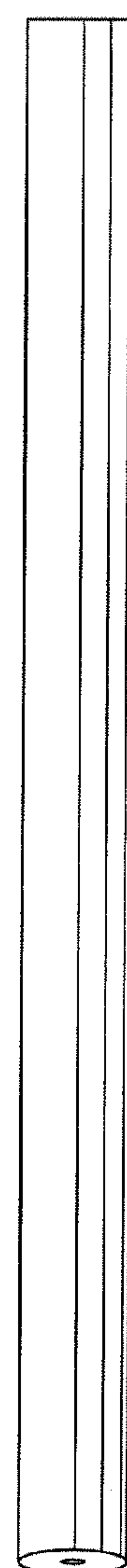


FIG. 4

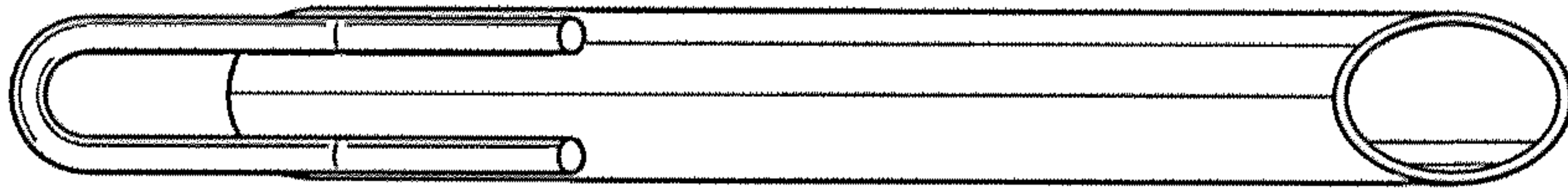


FIG. 6

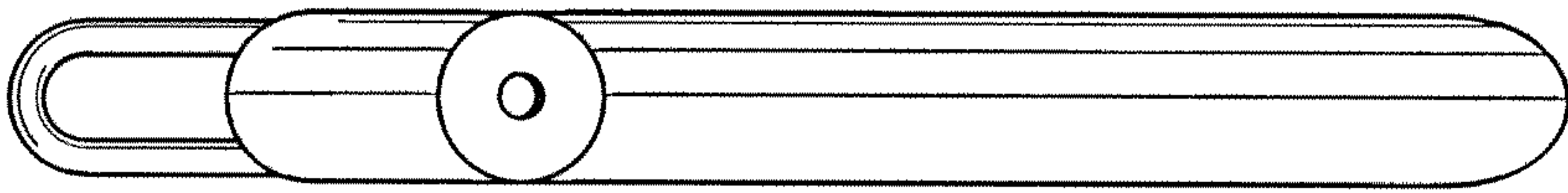


FIG. 5

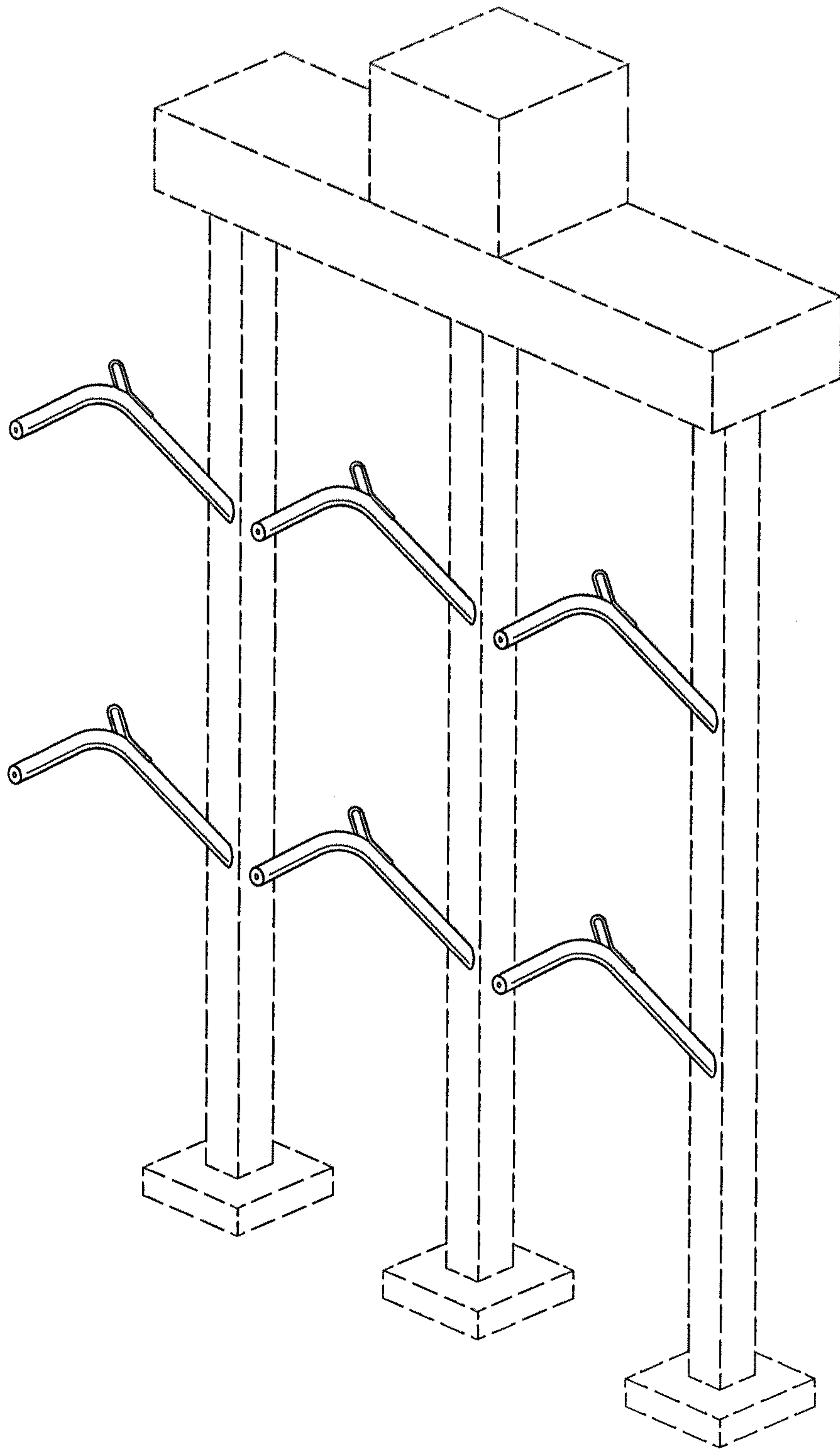


FIG. 7