



US00D691774S

(12) **United States Design Patent**
Goodman et al.

(10) **Patent No.:** **US D691,774 S**
(45) **Date of Patent:** **** Oct. 15, 2013**

(54) **SINK CRADLE**

(71) Applicant: **Spectrum Diversified Designs, Inc.**,
Streetsboro, OH (US)

(72) Inventors: **Sheldon H. Goodman**, Solon, OH (US);
Phaysouk Xayoiphonh, Akron, OH
(US)

(73) Assignee: **Spectrum Diversified Designs, Inc.**,
Streetsboro, OH (US)

(**) Term: **14 Years**

(21) Appl. No.: **29/447,214**

(22) Filed: **Mar. 1, 2013**

(51) **LOC (9) Cl.** **07-05**

(52) **U.S. Cl.**
USPC **D32/55**

(58) **Field of Classification Search**
USPC D32/55, 276, 3, 58; D6/510, 525, 536,
D6/553, 566, 678.4, 537; D30/133;
211/41.5, 41.4, 41.3, 41.8; 361/679.4;
312/311, 333, 334.4; D7/354, 629, 631
See application file for complete search history.

(56) **References Cited**

U.S. PATENT DOCUMENTS

D233,402 S * 10/1974 Kane D34/6
D453,651 S * 2/2002 Snell D6/553
D479,100 S * 9/2003 Ancona D7/631

D518,615 S * 4/2006 Yang et al. D32/55
D534,700 S * 1/2007 Sellers et al. D32/55
D553,820 S * 10/2007 Baumgart et al. D32/58
D566,361 S * 4/2008 Snell D32/55
D566,362 S * 4/2008 Peet D32/58
D633,343 S * 3/2011 Goodman et al. D7/631
D653,053 S * 1/2012 Goodman et al. D6/462
D667,655 S * 9/2012 Goodman et al. D6/475
D675,049 S * 1/2013 Goodman et al. D6/566

* cited by examiner

Primary Examiner — Austin Murphy

(74) *Attorney, Agent, or Firm* — Benesch Friedlander
Coplan & Aronoff LLP

(57) **CLAIM**

What is claimed is the ornamental design for a sink cradle, as
shown and described.

DESCRIPTION

FIG. 1 is a perspective view of a sink cradle showing my new
design;

FIG. 2 is a front view thereof;

FIG. 3 is a side view thereof;

FIG. 4 is a rear view thereof;

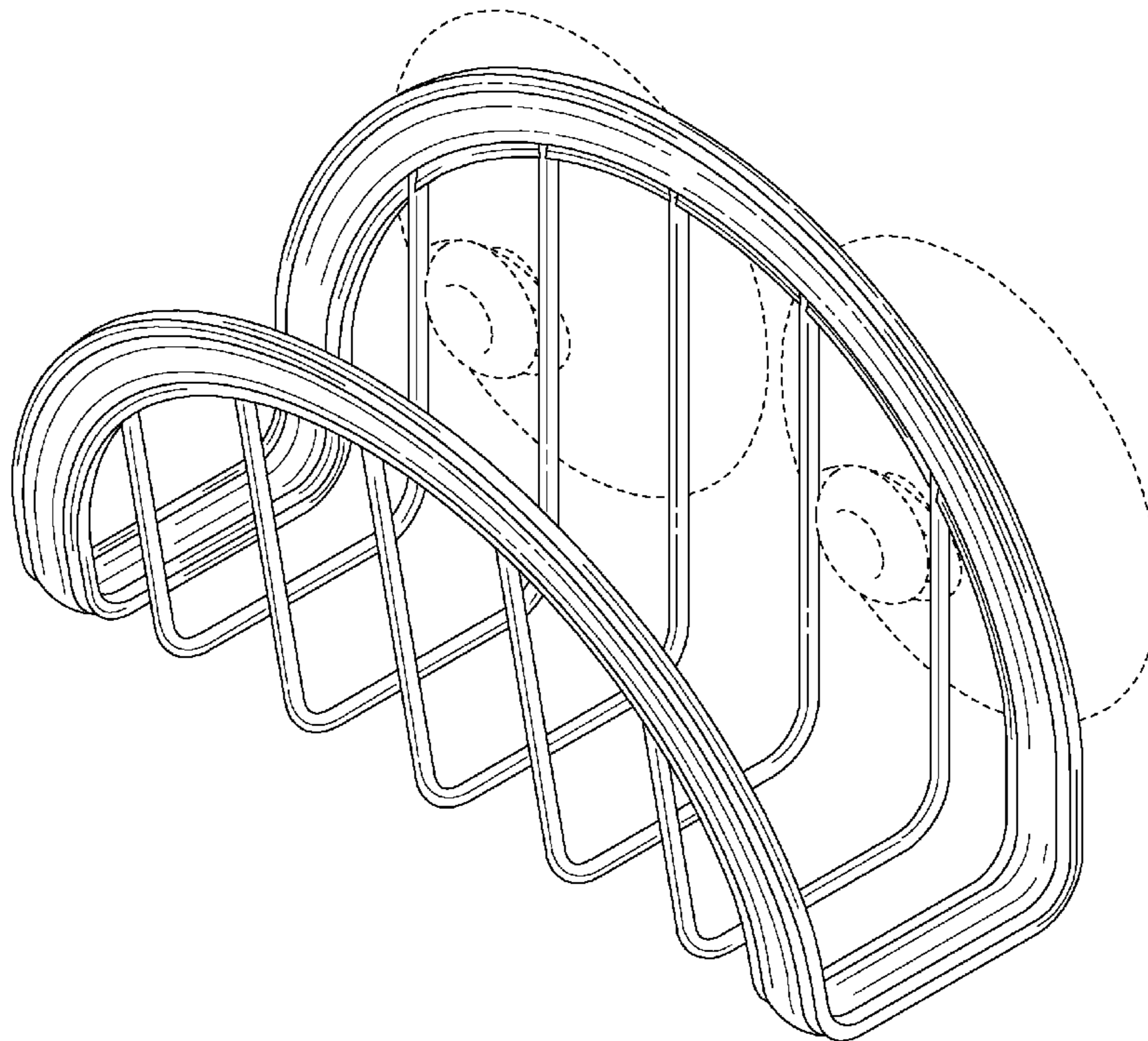
FIG. 5 is a top view thereof;

FIG. 6 is a bottom view thereof; and,

FIG. 7 is a cross-sectional view along line 7 in FIG. 6.

The components of the display shown in broken lines illus-
trate portions of the sink cradle which form no part of the
claimed design. Further, the vertical and diagonal broken
lines are not meant to be indicative of any specified colors.

1 Claim, 3 Drawing Sheets



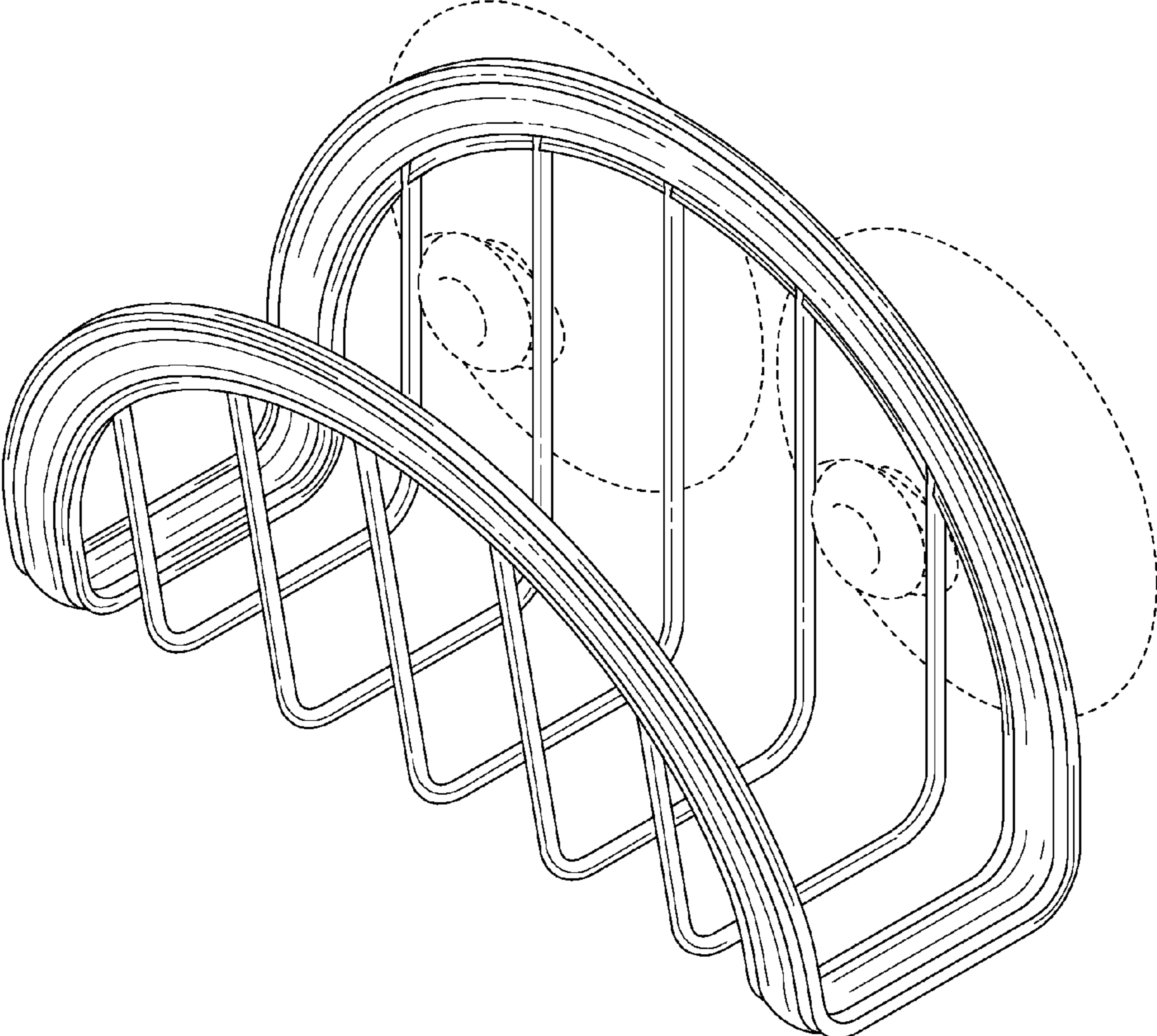


FIG 1

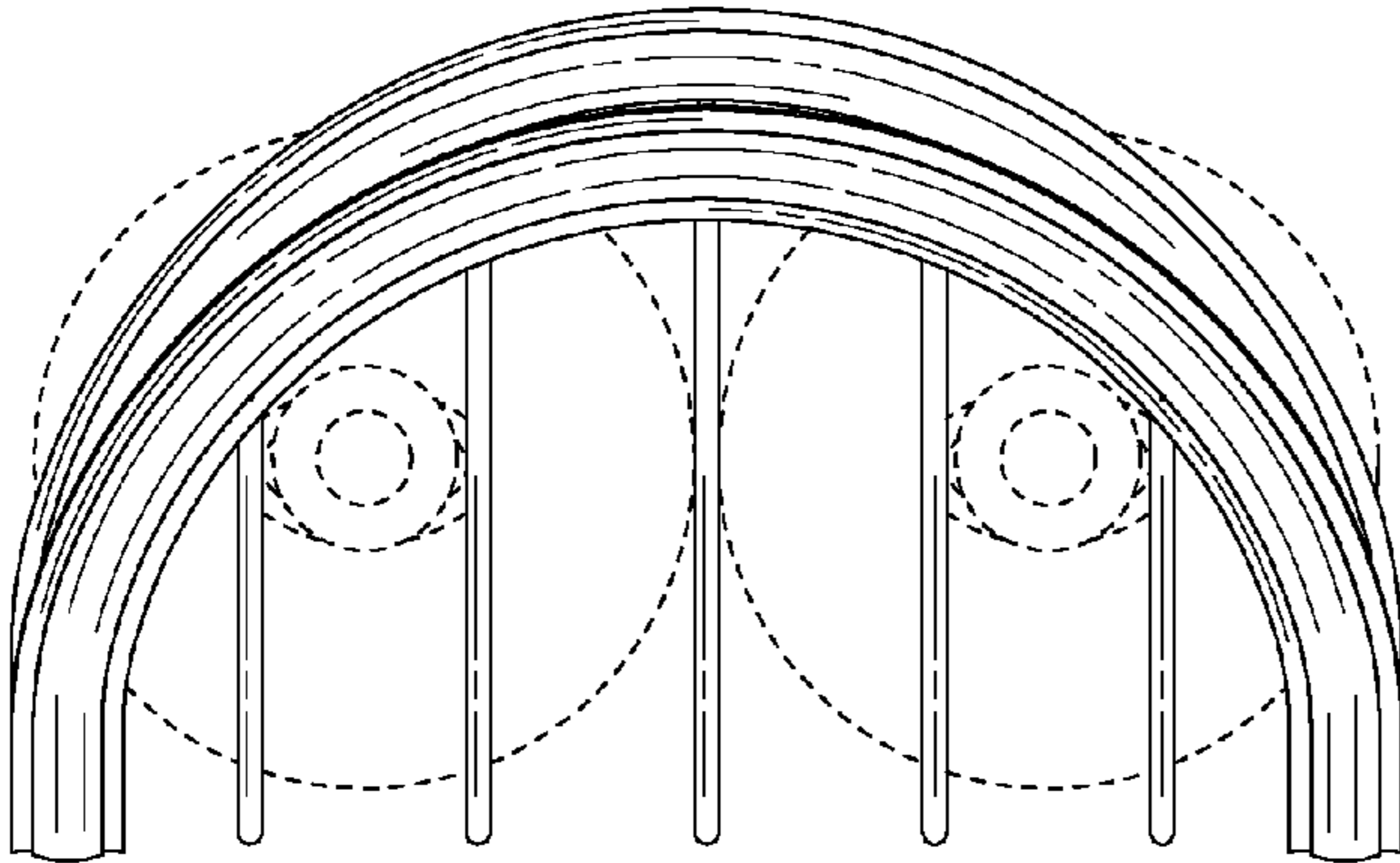


FIG 2

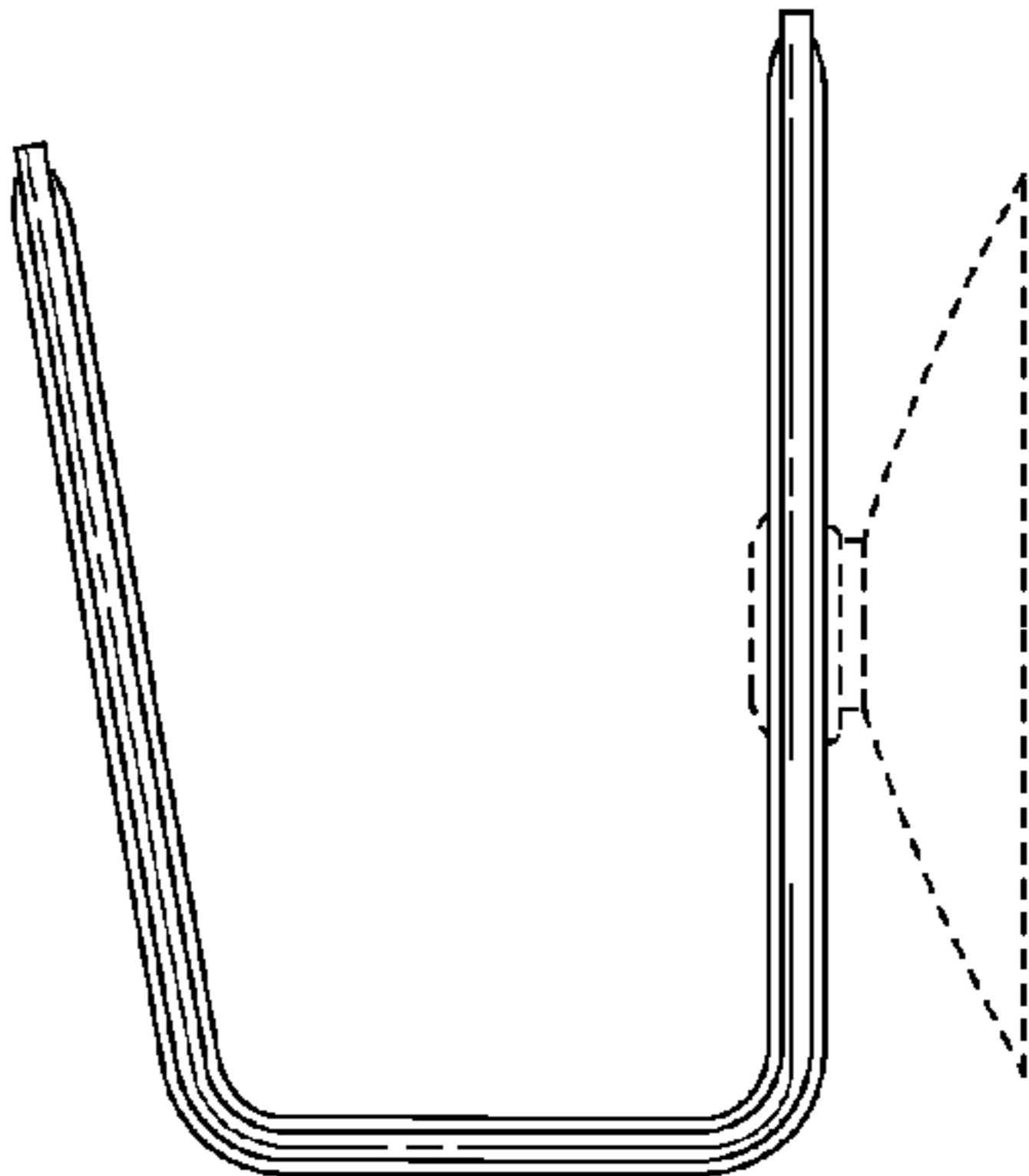


FIG 3

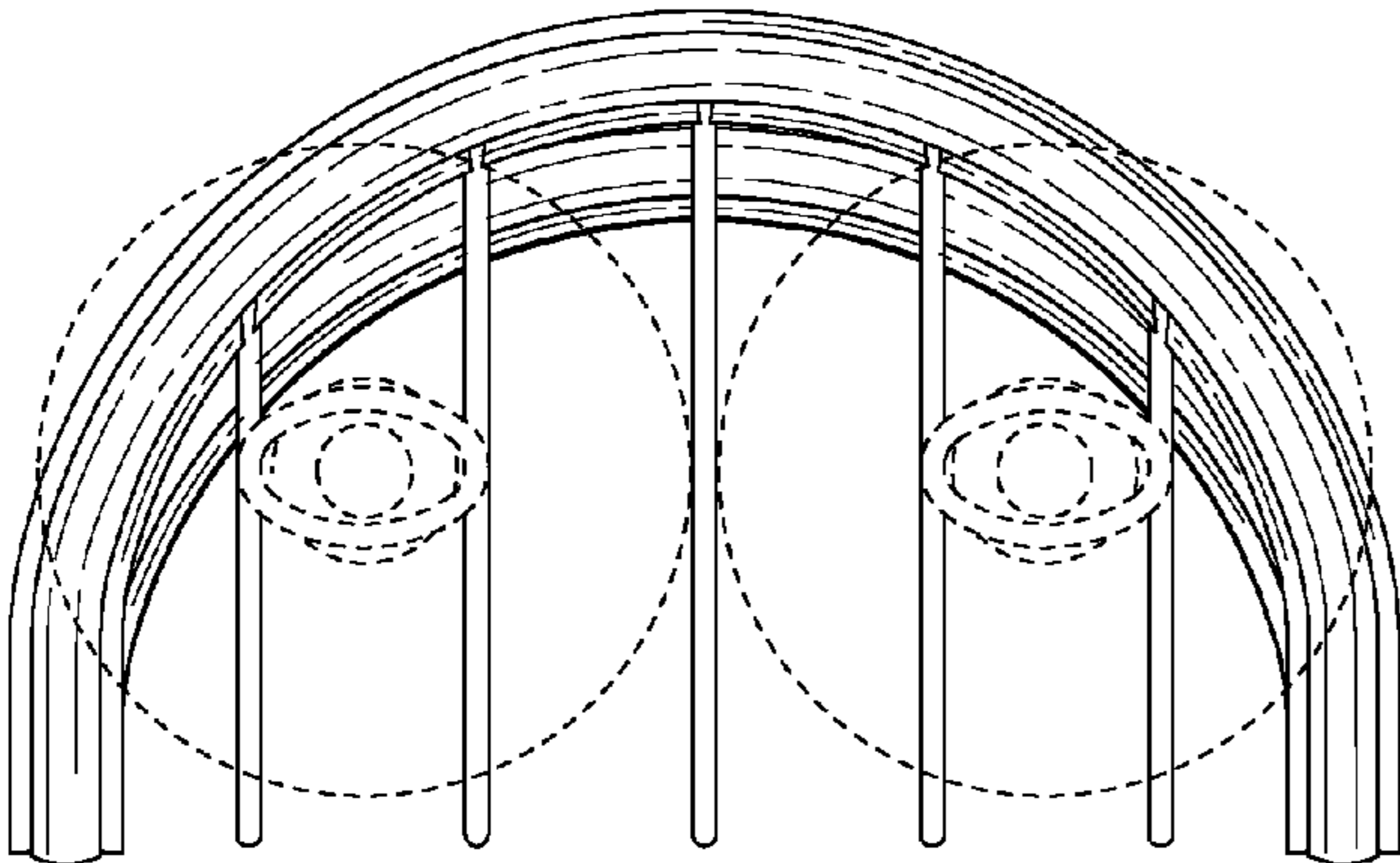


FIG 4

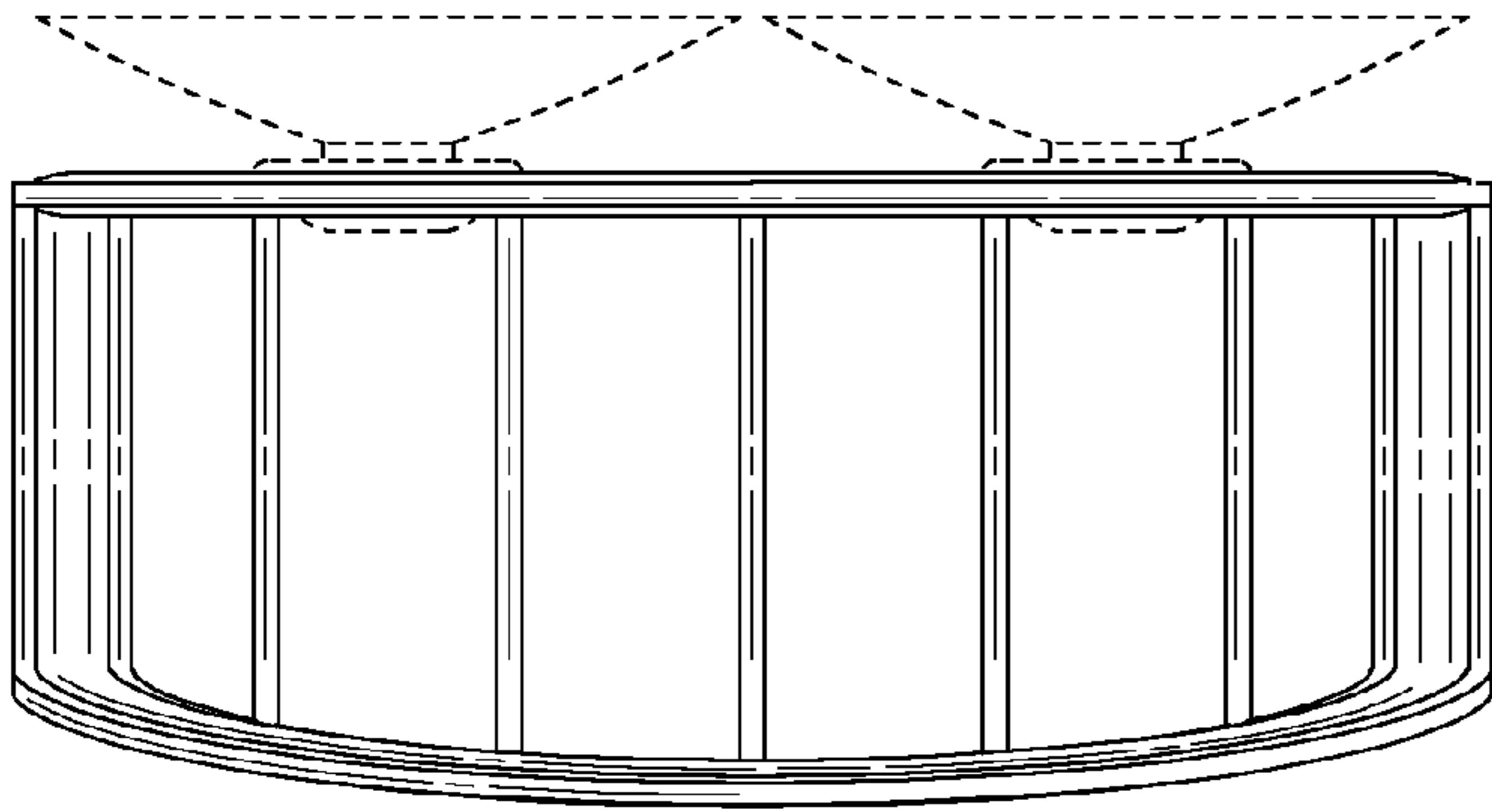


FIG 5

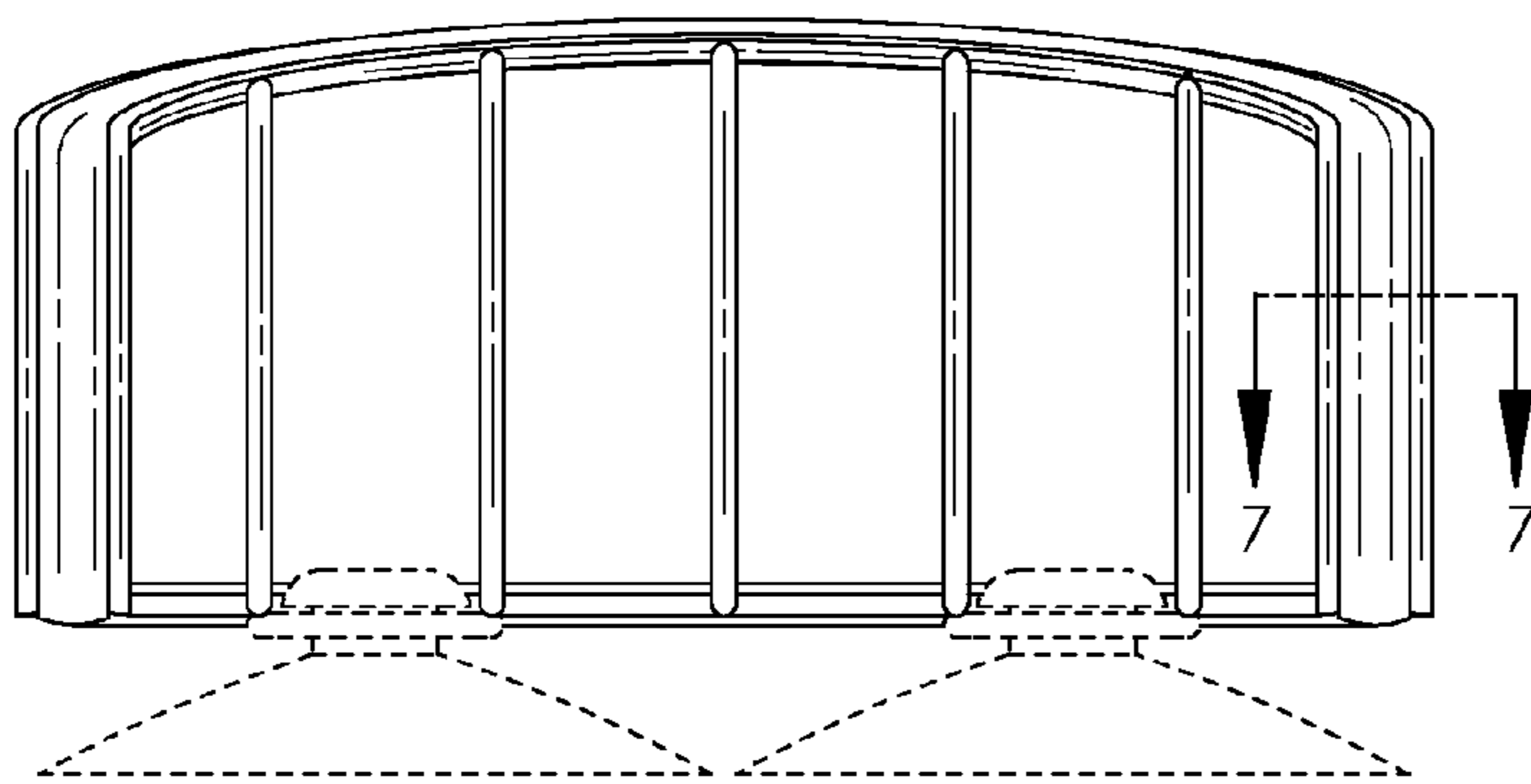


FIG 6

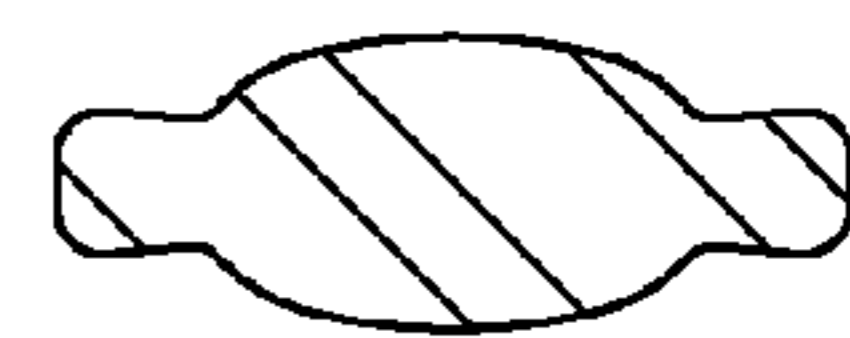


FIG 7