



US00D691773S

(12) **United States Design Patent**
Chen

(10) **Patent No.:** **US D691,773 S**

(45) **Date of Patent:** **** Oct. 15, 2013**

(54) **SCRAPER**

(71) Applicant: **Shou-Hung Chen**, Taipei (TW)

(72) Inventor: **Shou-Hung Chen**, Taipei (TW)

(**) Term: **14 Years**

(21) Appl. No.: **29/450,347**

(22) Filed: **Mar. 17, 2013**

(51) **LOC (9) Cl.** **08-05**

(52) **U.S. Cl.**
USPC **D32/46**

(58) **Field of Classification Search**
USPC D32/46, 49; D8/14, 45, 46, 47, 105, 98,
D8/90; D7/682; 30/169, 167, 278, 280,
30/287; 15/105, 236.01-236.09, 245.1;
D4/136; 7/105

See application file for complete search history.

(56) **References Cited**

U.S. PATENT DOCUMENTS

D386,372 S *	11/1997	Weiss	D8/14
D399,621 S *	10/1998	Henke	D32/49
5,870,786 A *	2/1999	Papadopoulos	7/105
5,956,788 A *	9/1999	Henke	7/105
6,009,581 A *	1/2000	Davis et al.	7/105
D424,390 S *	5/2000	Denton	D8/45

6,131,222 A *	10/2000	Anderson et al.	7/105
D435,408 S *	12/2000	Panfili et al.	D8/16
D450,994 S *	11/2001	Abbott	D8/105
6,421,860 B1 *	7/2002	Abbott	7/105
6,427,274 B1 *	8/2002	Abbott	7/105
D475,825 S *	6/2003	Ribezzo	D32/49
D516,394 S *	3/2006	Chen	D8/16
D562,517 S *	2/2008	Henke et al.	D32/46
D581,764 S *	12/2008	Kinskey et al.	D8/105
D609,992 S *	2/2010	Delaney	D8/105
D609,993 S *	2/2010	Cain	D8/105
D670,057 S *	10/2012	DiMauro	D32/46

* cited by examiner

Primary Examiner — John Windmuller

(57) **CLAIM**

The ornamental design for a scraper, as shown and described.

DESCRIPTION

FIG. 1 is a perspective view of a scraper showing my new design;

FIG. 2 is a front elevational view thereof;

FIG. 3 is a rear elevational view thereof;

FIG. 4 is a left side view thereof;

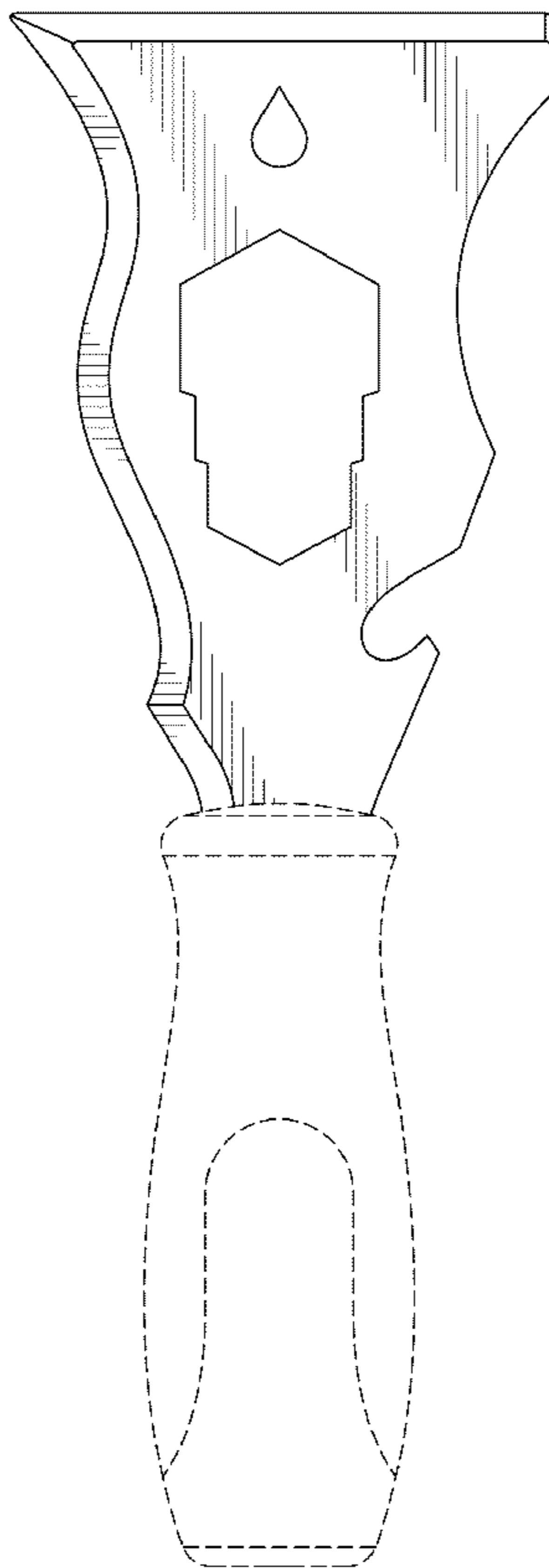
FIG. 5 is a right side view thereof;

FIG. 6 is a top plan view thereof; and,

FIG. 7 is a bottom plan view thereof.

The broken line portions in FIGS. 1-7 are for illustrative purposes only and form no part of the claimed design.

1 Claim, 6 Drawing Sheets



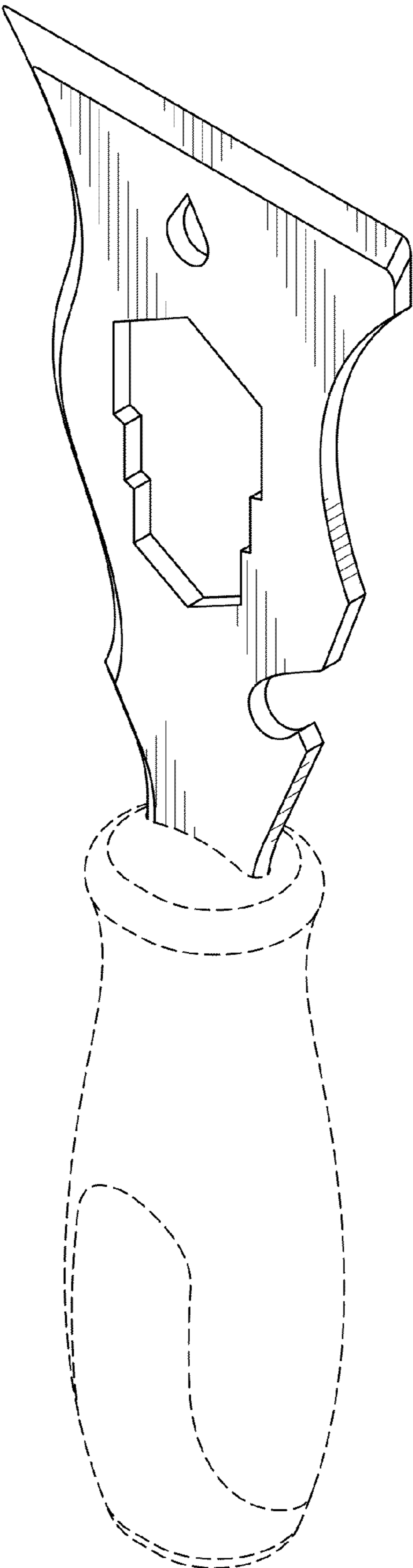


FIG.1

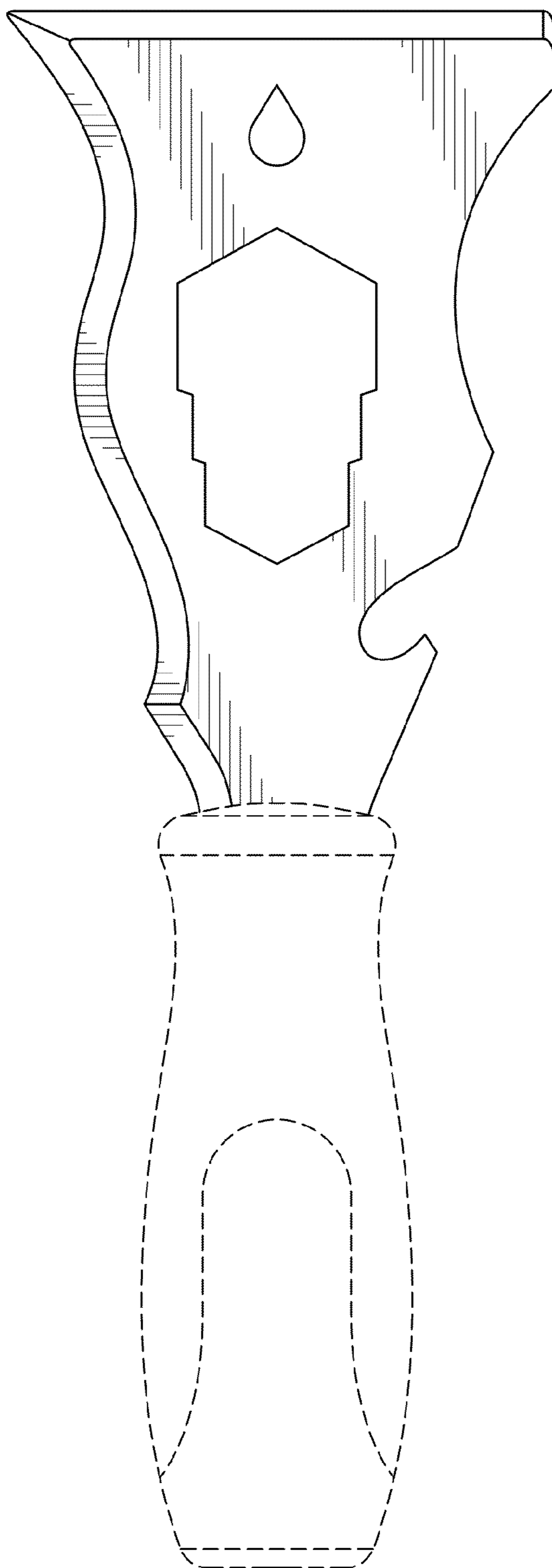


FIG.2

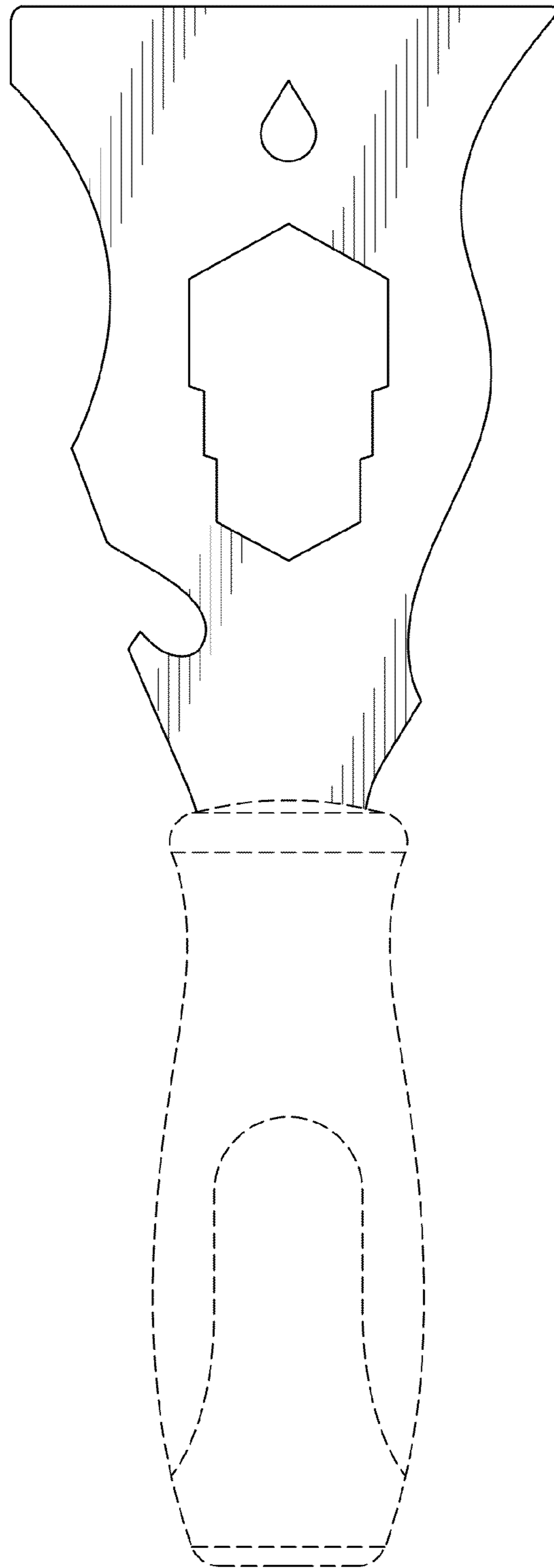


FIG.3

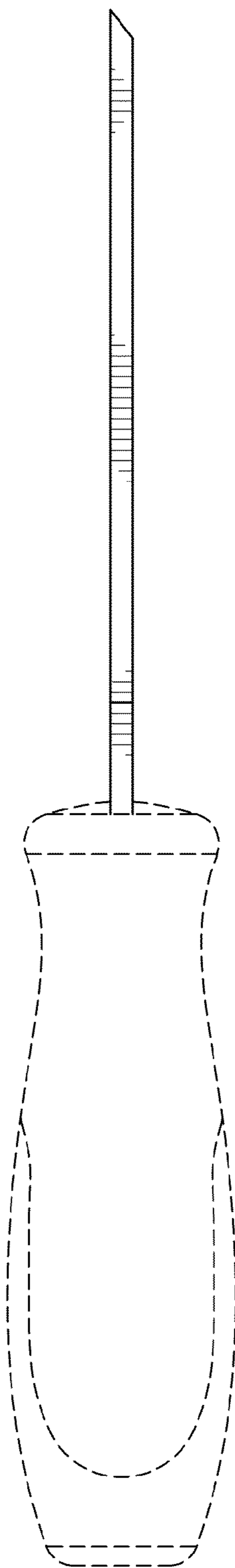


FIG.4

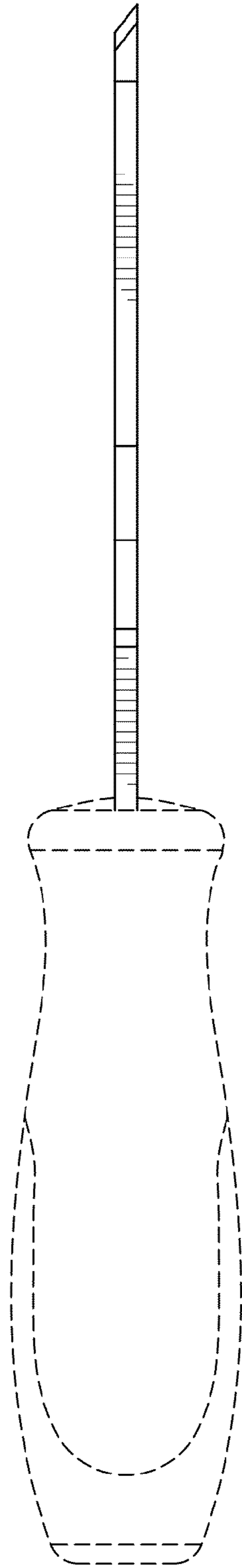


FIG. 5

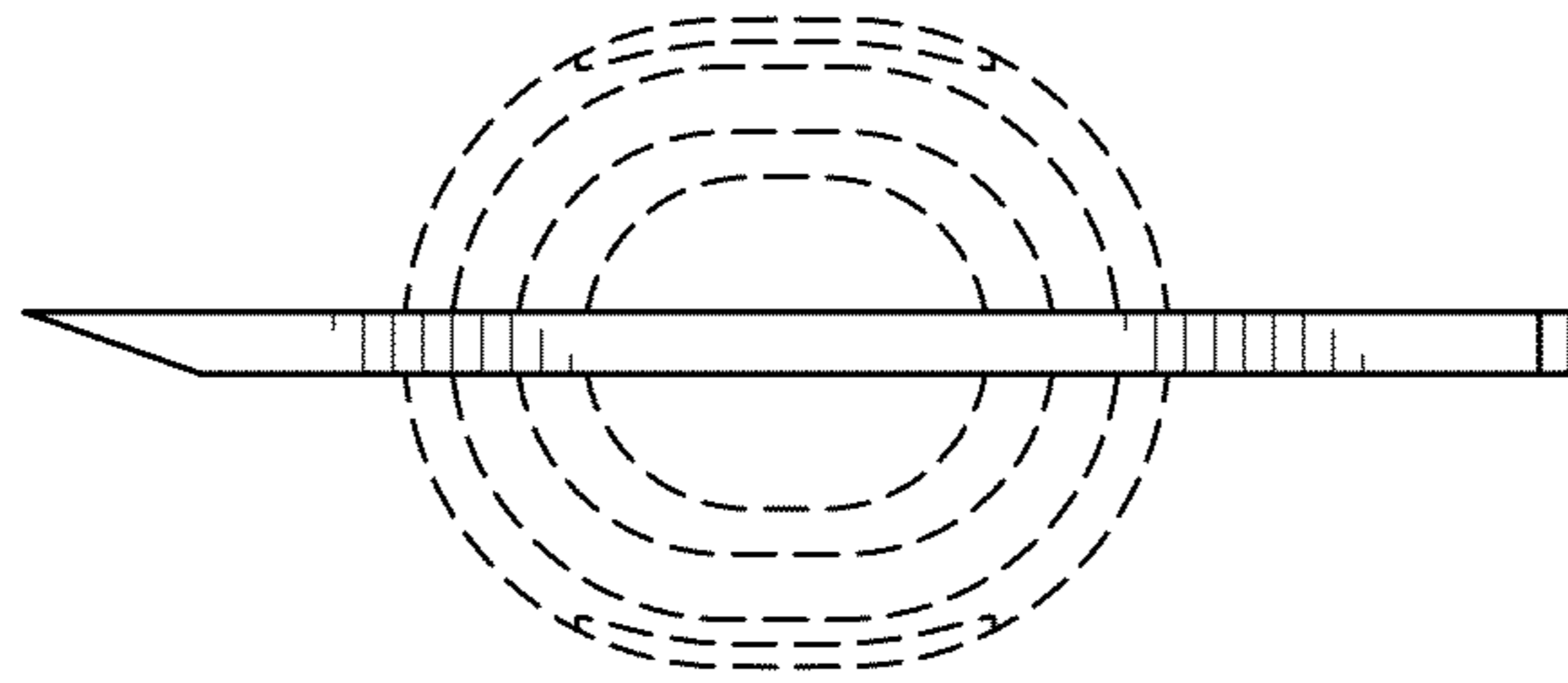


FIG. 6

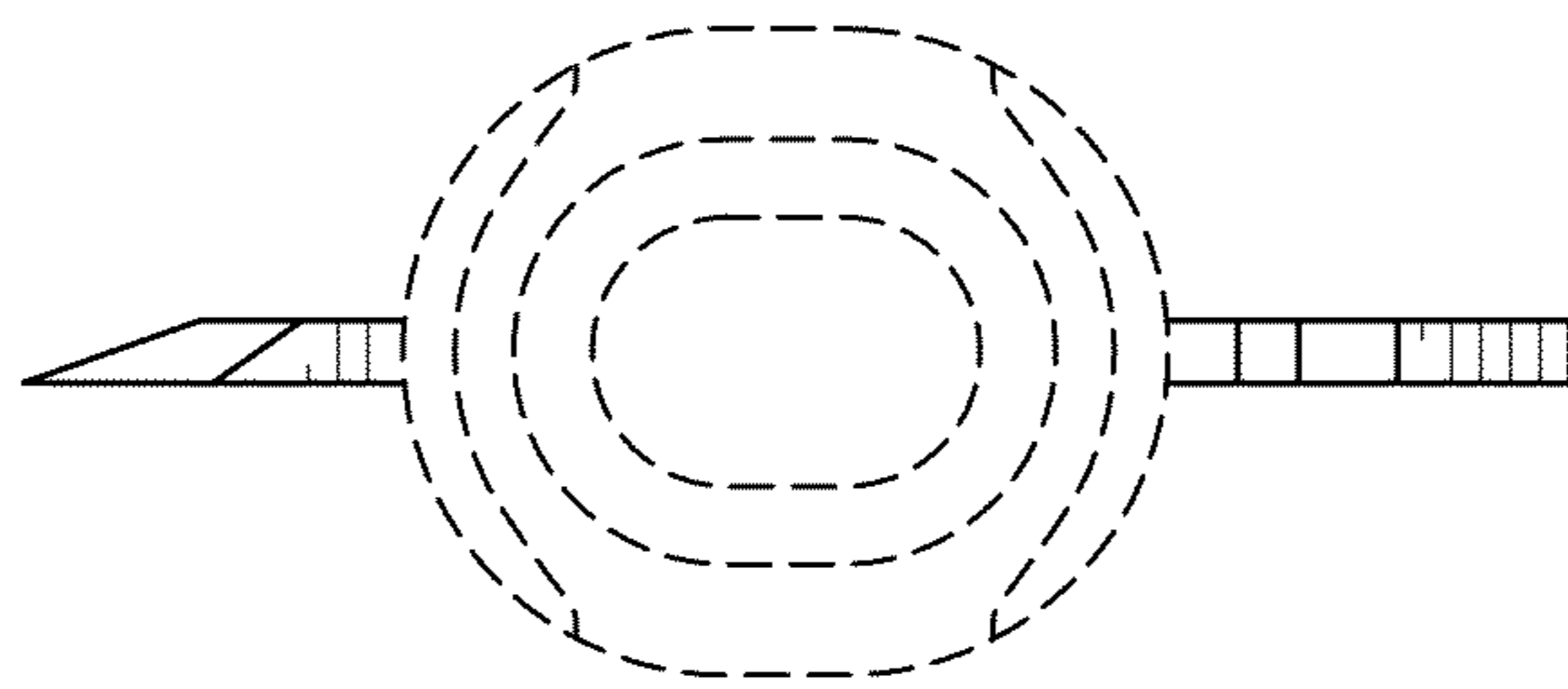


FIG. 7