



US00D691772S

(12) **United States Design Patent**
Blaisdell et al.

(10) **Patent No.:** **US D691,772 S**
(45) **Date of Patent:** **** Oct. 15, 2013**

- (54) **CUTLERY CLEANER**
- (71) Applicant: **Evriholder Products, LLC**, Anaheim, CA (US)
- (72) Inventors: **David Blaisdell**, Baldwinsville, NY (US); **Hyemi Lee**, Garden Grove, CA (US)
- (73) Assignee: **Evriholder Products, LLC**, Anaheim, CA (US)
- (**) Term: **14 Years**
- (21) Appl. No.: **29/448,127**
- (22) Filed: **Mar. 9, 2013**
- (51) **LOC (9) Cl.** **08-99**
- (52) **U.S. Cl.**
USPC **D32/35**
- (58) **Field of Classification Search**
USPC D32/35, 40, 42, 46; D8/90, 91, 93;
D7/698, 673; 15/104.001, 104.92, 105, 160,
15/218.1, 236.09; 83/101, 118; 451/103,
451/112, 467, 486
See application file for complete search history.

597,729	A *	1/1898	Mitchell	15/104.92
946,370	A *	1/1910	Kelmel	15/160
1,407,674	A *	2/1922	Roepke	15/160
3,629,895	A *	12/1971	Colgan	15/160
4,439,884	A *	4/1984	Giorni	15/104.92
5,191,670	A *	3/1993	Lake et al.	15/160
5,647,084	A *	7/1997	Still et al.	15/104.92
5,652,993	A *	8/1997	Kreyer	15/104.92
7,200,891	B1 *	4/2007	McCulloch et al.	15/104.92
D622,468	S *	8/2010	Parker	D32/42

* cited by examiner

Primary Examiner — Caron D Veynar
Assistant Examiner — Martie K Holtje

(57) **CLAIM**

The ornamental design for a cutlery cleaner, as shown and described.

DESCRIPTION

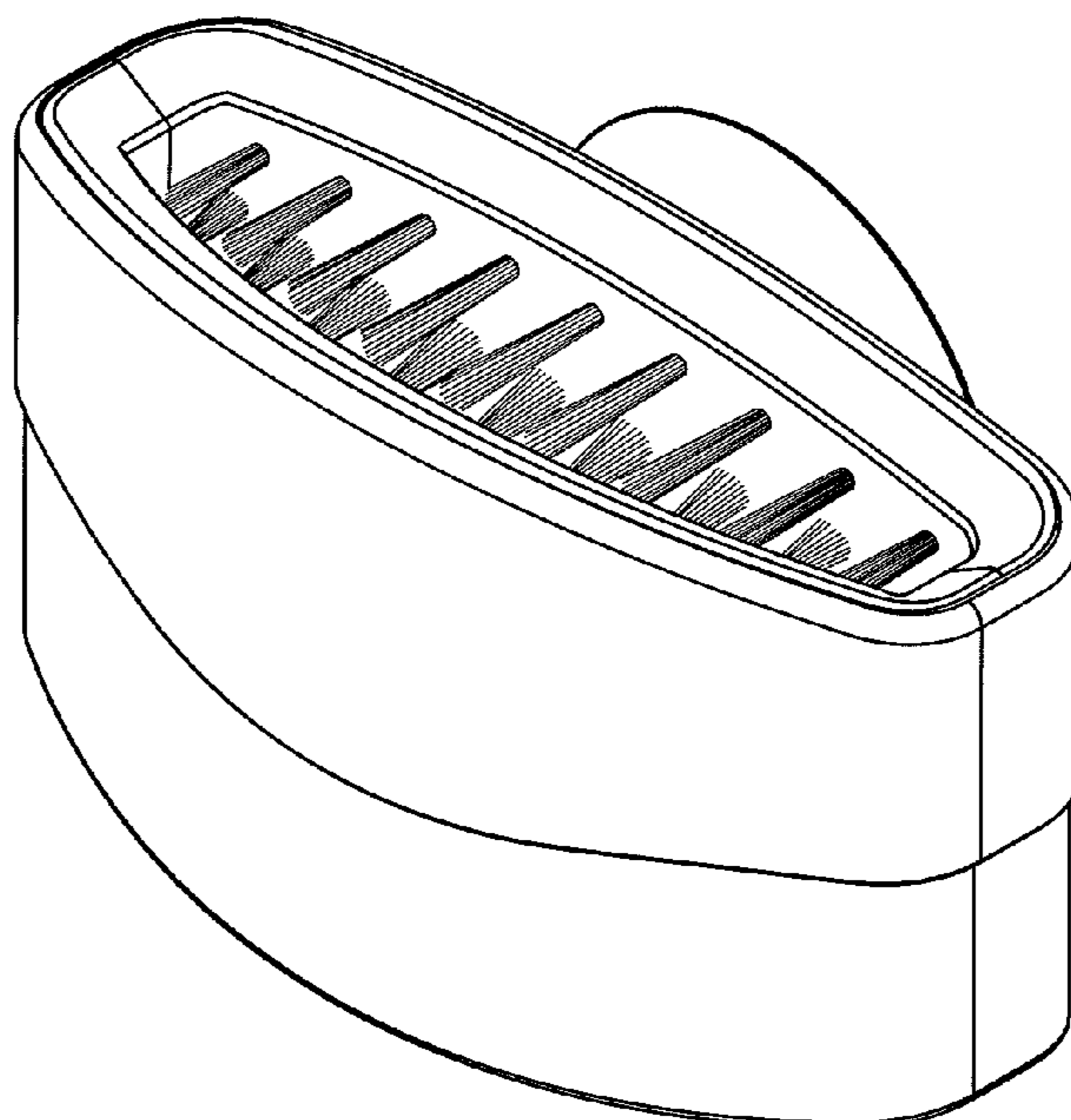
FIG. 1 illustrates a front view of the claimed design for a cutlery cleaner;
FIG. 2 illustrates a top view thereof;
FIG. 3 illustrates a left-side view thereof;
FIG. 4 illustrates a right-side view thereof;
FIG. 5 illustrates a bottom view thereof;
FIG. 6 illustrates a rear view thereof;
FIG. 7 illustrates a cross-sectional view thereof, taken in the direction of arrows 7-7 in FIG. 1; and,
FIG. 8 illustrates a perspective view thereof.

1 Claim, 8 Drawing Sheets

(56) **References Cited**

U.S. PATENT DOCUMENTS

5,941	A *	11/1848	Shaler	15/218.1
485,048	A *	10/1892	Lehmann	15/218.1



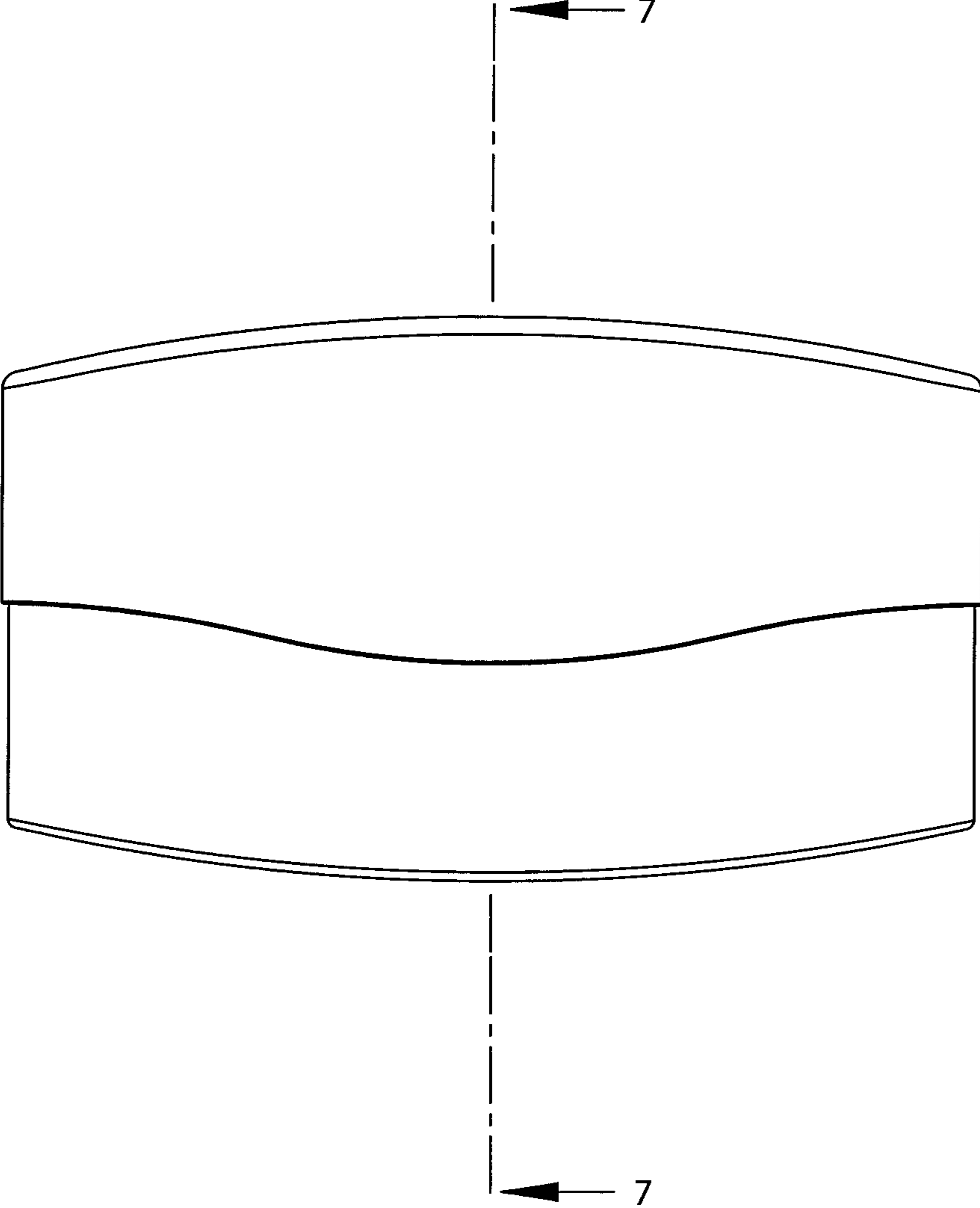


FIG 1

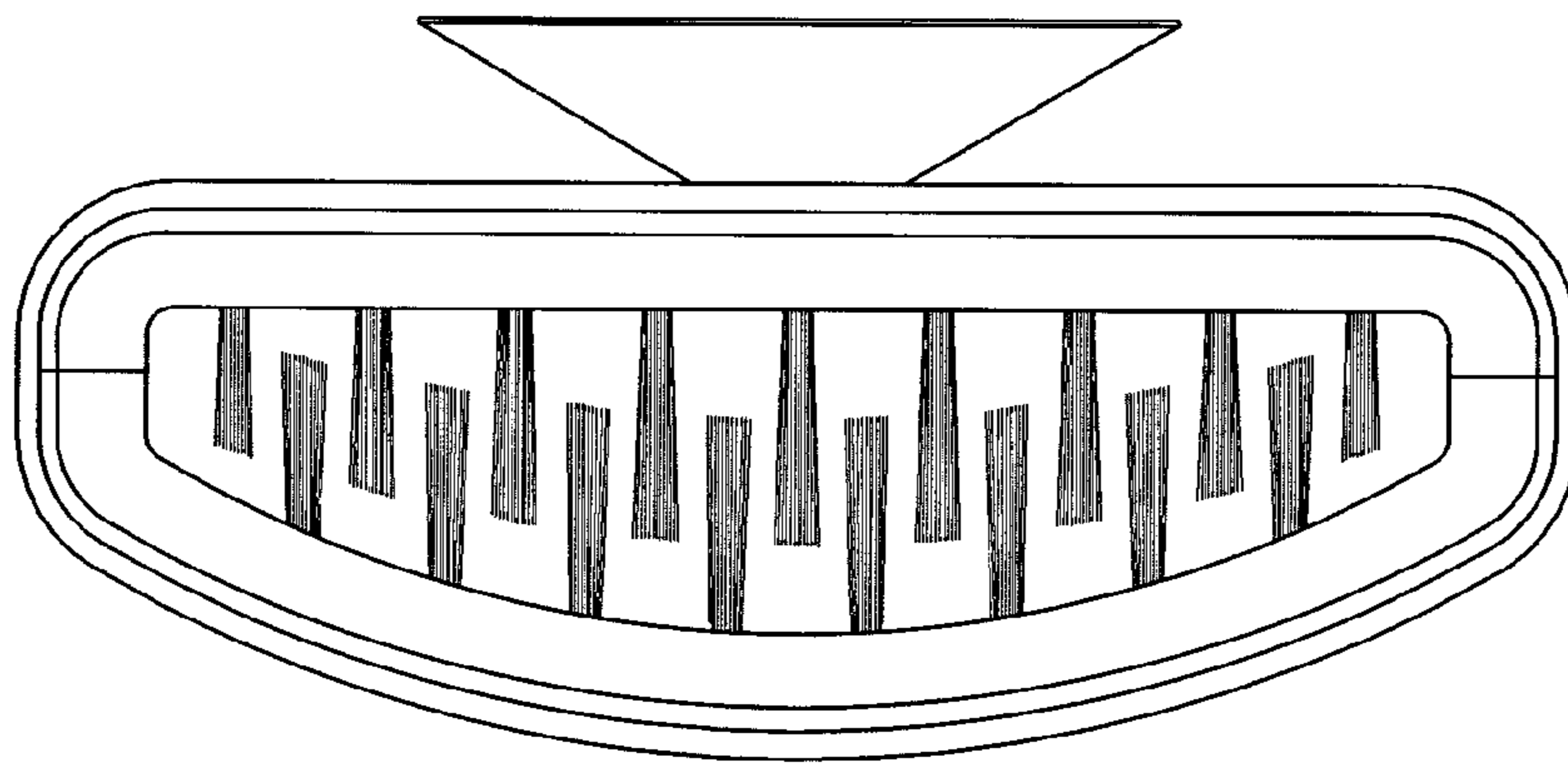


FIG 2

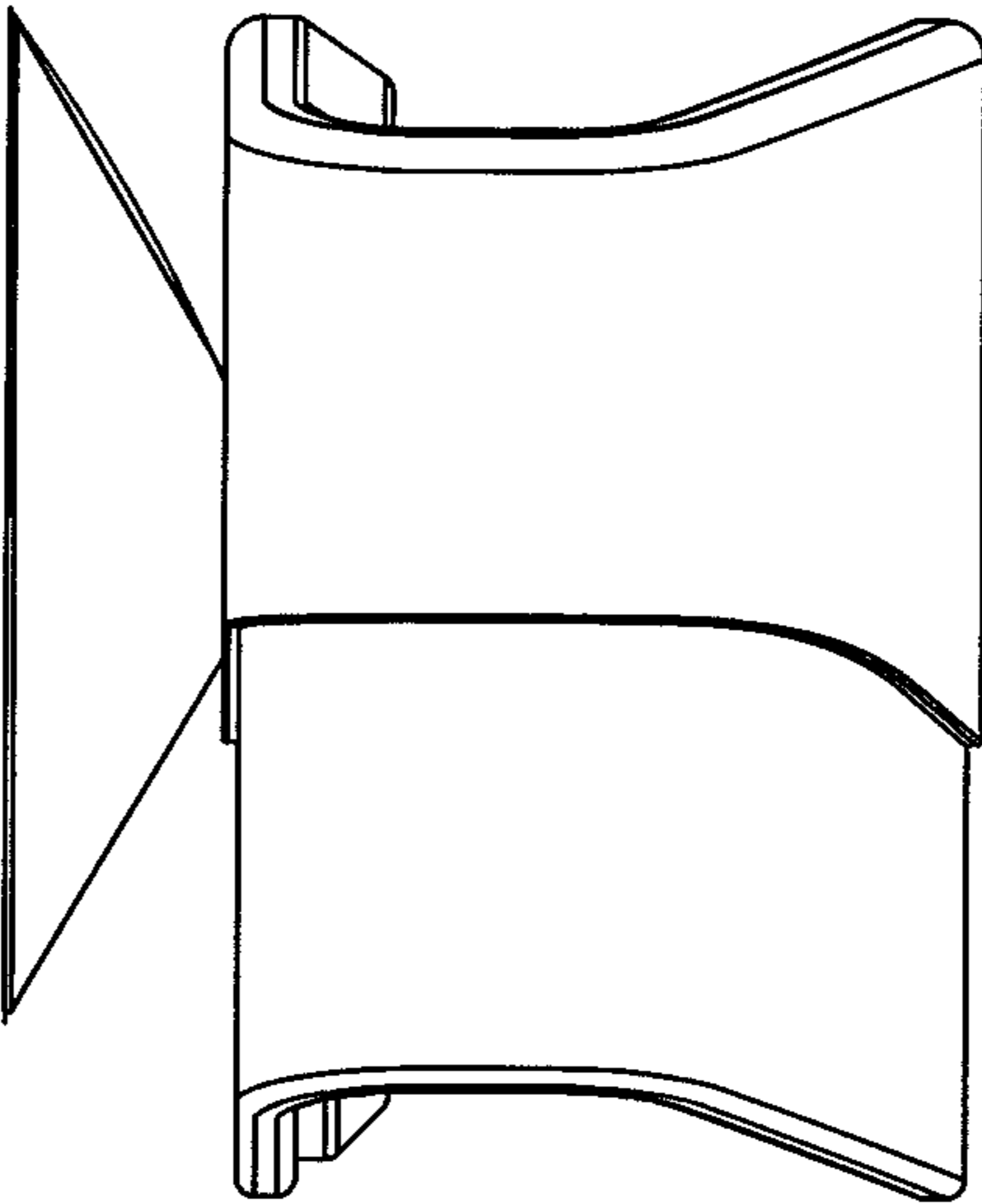


FIG 3

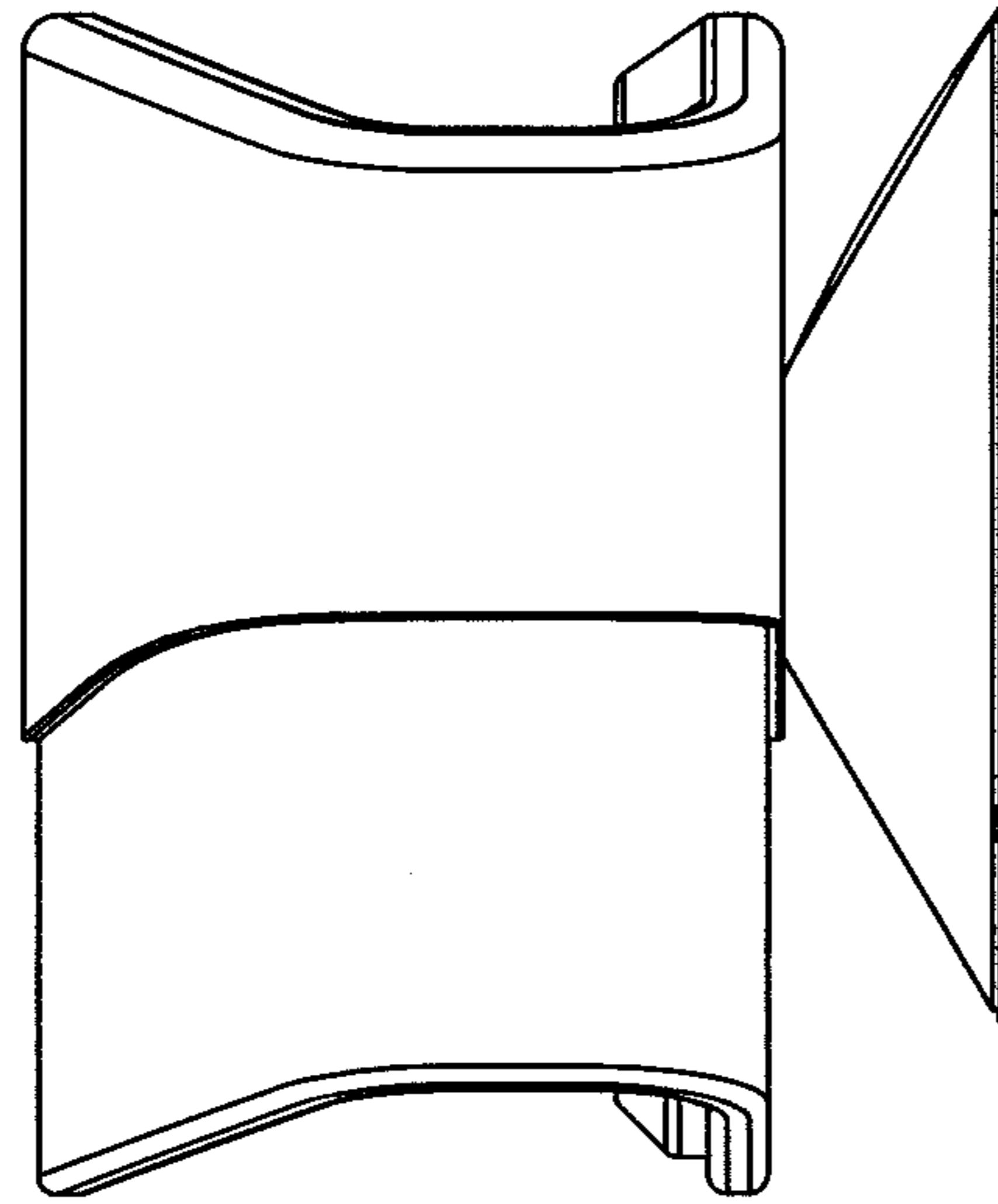


FIG 4

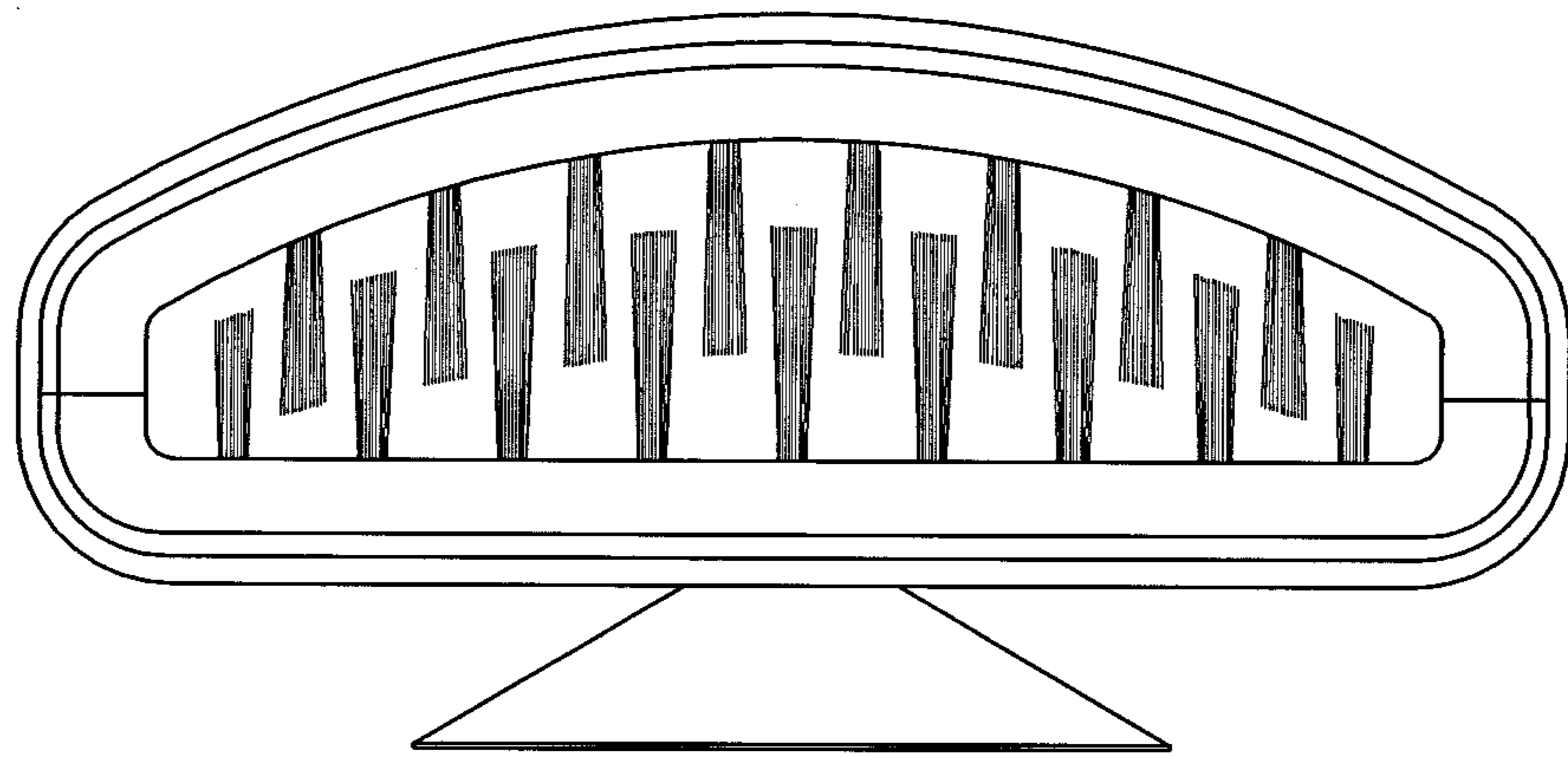


FIG 5

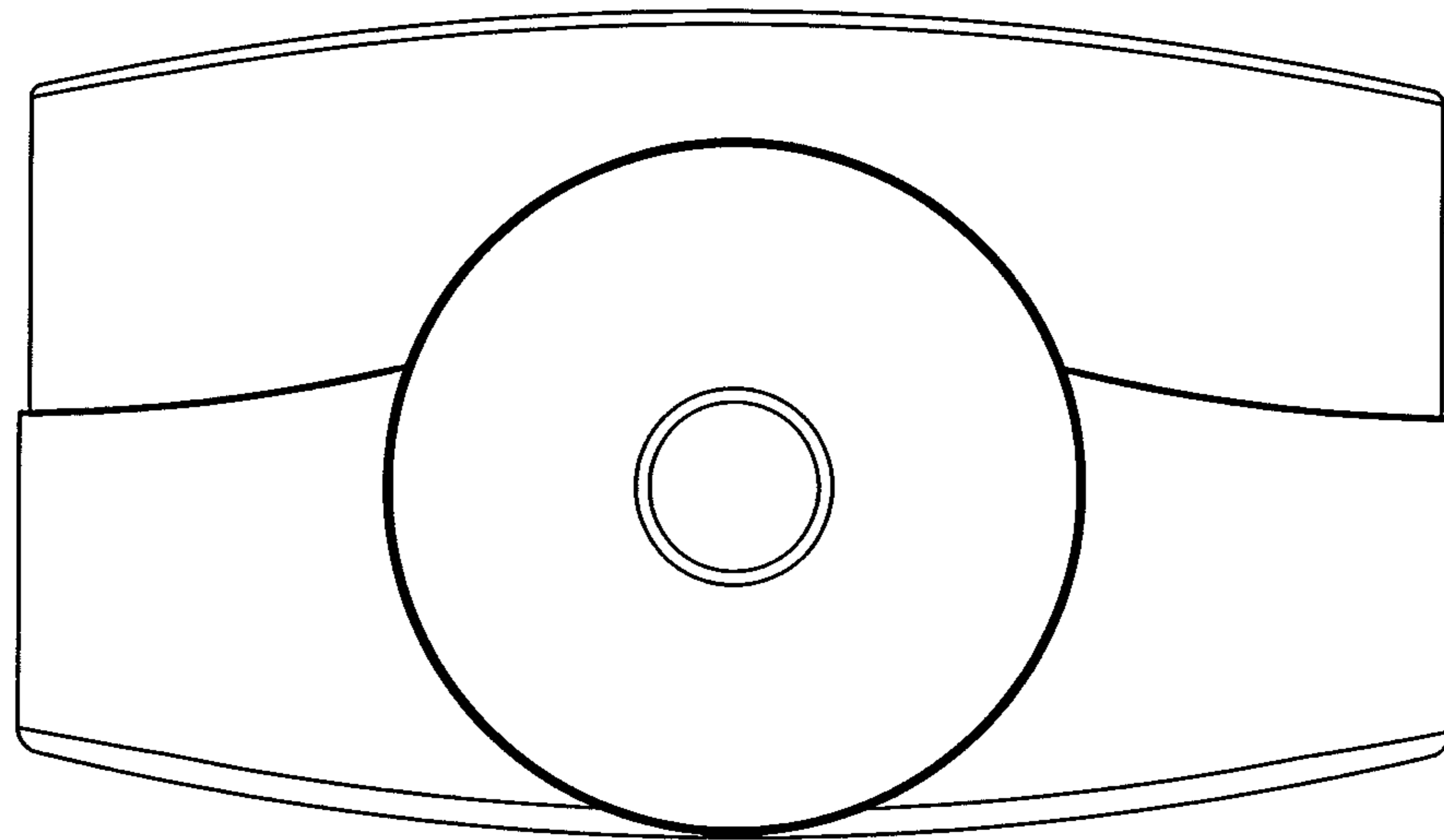


FIG 6

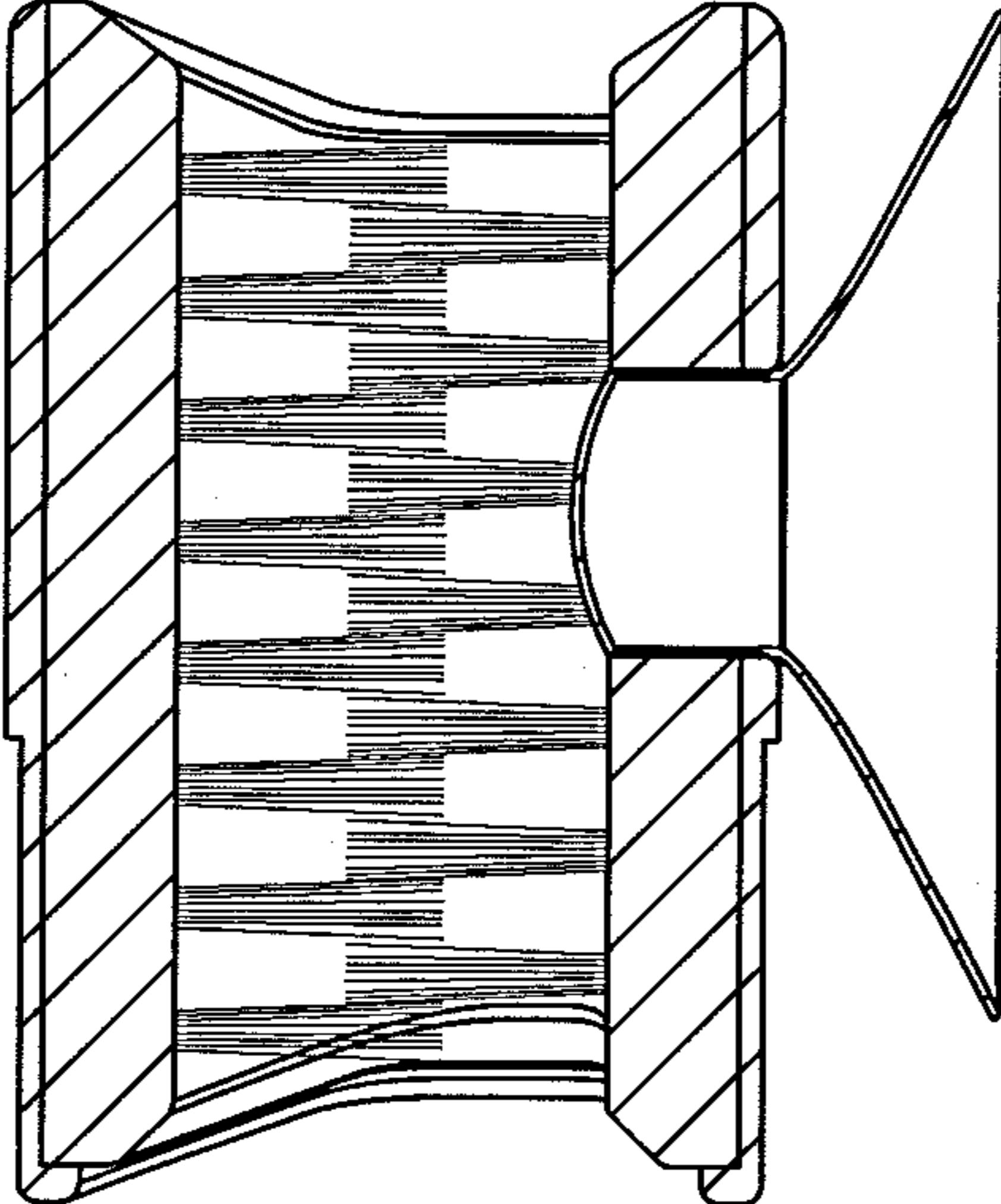


FIG 7

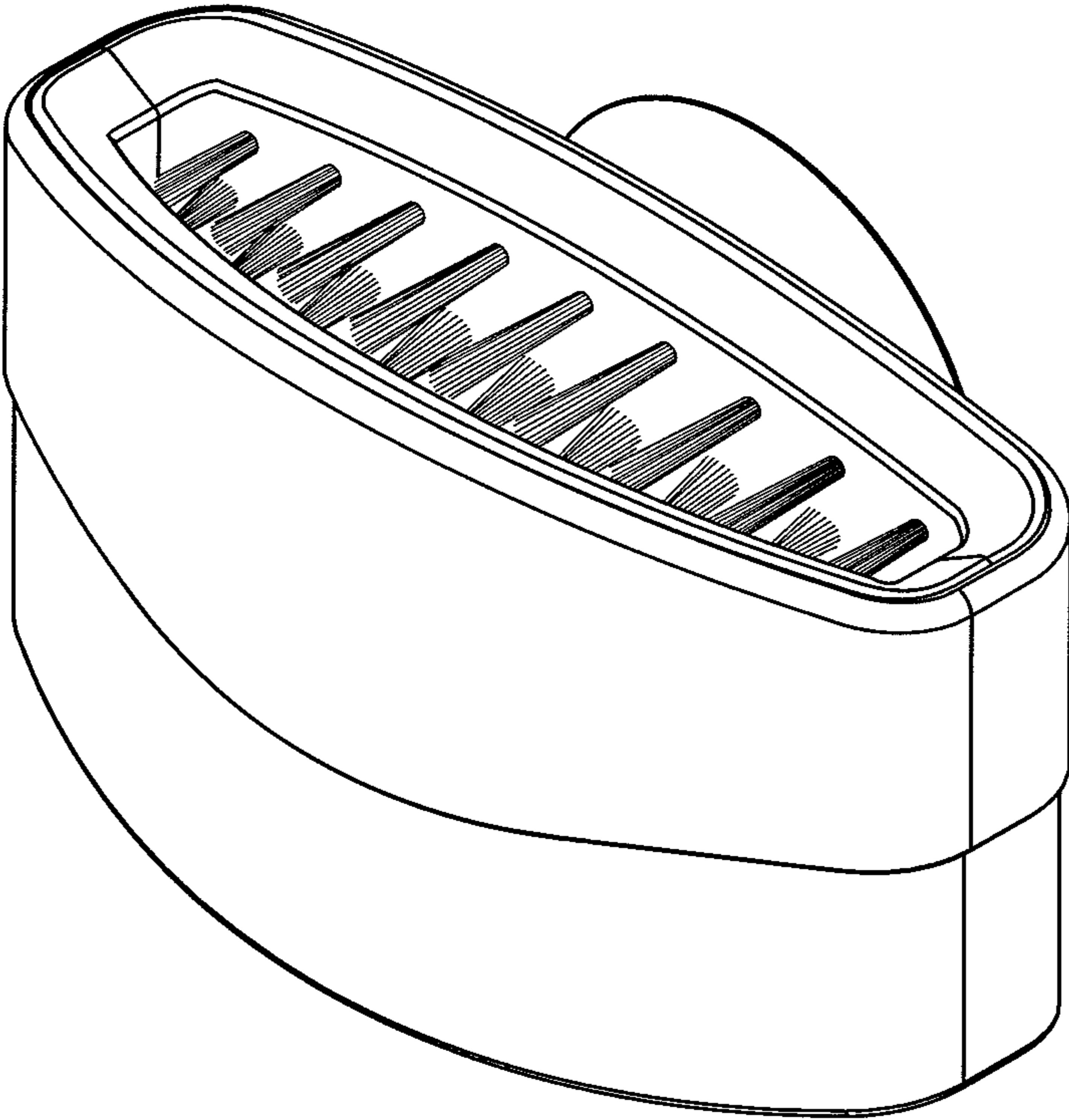


FIG 8