



US00D691770S

(12) **United States Design Patent**  
**Woller et al.**

(10) **Patent No.:** **US D691,770 S**  
(45) **Date of Patent:** **\*\* Oct. 15, 2013**

(54) **GAME FEEDER**

(71) Applicant: **EBSCO Industries, Inc.**, Birmingham, AL (US)

(72) Inventors: **Ronald Ray Woller**, Decatur, AL (US);  
**Timothy Neil Morton**, Alabaster, AL (US)

(73) Assignee: **EBSCO Industries, Inc.**, Birmingham, AL (US)

(\*\*) Term: **14 Years**

(21) Appl. No.: **29/440,286**

(22) Filed: **Dec. 20, 2012**

(51) **LOC (9) Cl.** ..... **30-03**

(52) **U.S. Cl.**  
USPC ..... **D30/121**

(58) **Field of Classification Search**

USPC ..... D30/133, 121, 122, 124, 127, 128, 132, D30/131; 119/51.01, 61, 51.04, 53, 57.91, 119/54, 53.5, 52.4, 51.11, 63, 61.2, 52.1, 119/57.5, 57.6, 51.13, 62, 75, 500, 501; 239/7, 687, 379, 397.5; 222/199, 222/181.1, 181.2, 185.1, 557, 156, 485, 222/486, 548, 555; 220/200, 227, 247, 262; 221/174, 185.1, 289, 295, 296, 559; 454/35; 209/270, 283, 244; 52/194, 52/192; 49/279, 344, 357; D34/28

See application file for complete search history.

(56) **References Cited**

U.S. PATENT DOCUMENTS

3,195,508	A *	7/1965	Lehman et al.	119/51.11
3,730,142	A *	5/1973	Kahrs et al.	119/54
4,538,548	A *	9/1985	Page	119/52.1
4,565,159	A *	1/1986	Sweeney	119/53
4,986,220	A *	1/1991	Reneau et al.	119/57.91
5,143,289	A *	9/1992	Gresham et al.	239/7
5,339,996	A *	8/1994	Dubbert et al.	222/185.1

(Continued)

*Primary Examiner* — Susan Moon Lee

(74) *Attorney, Agent, or Firm* — Robert J. Veal

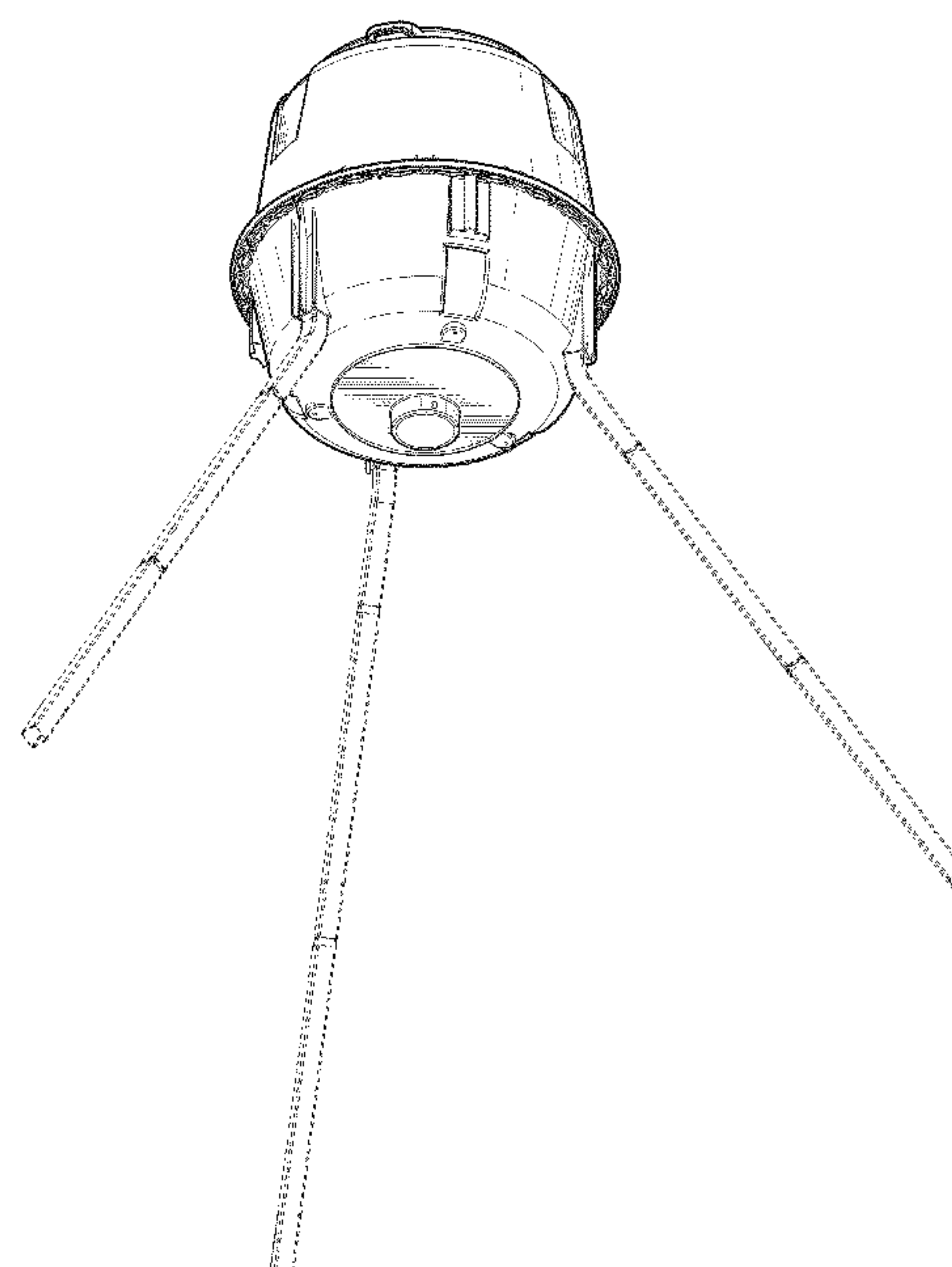
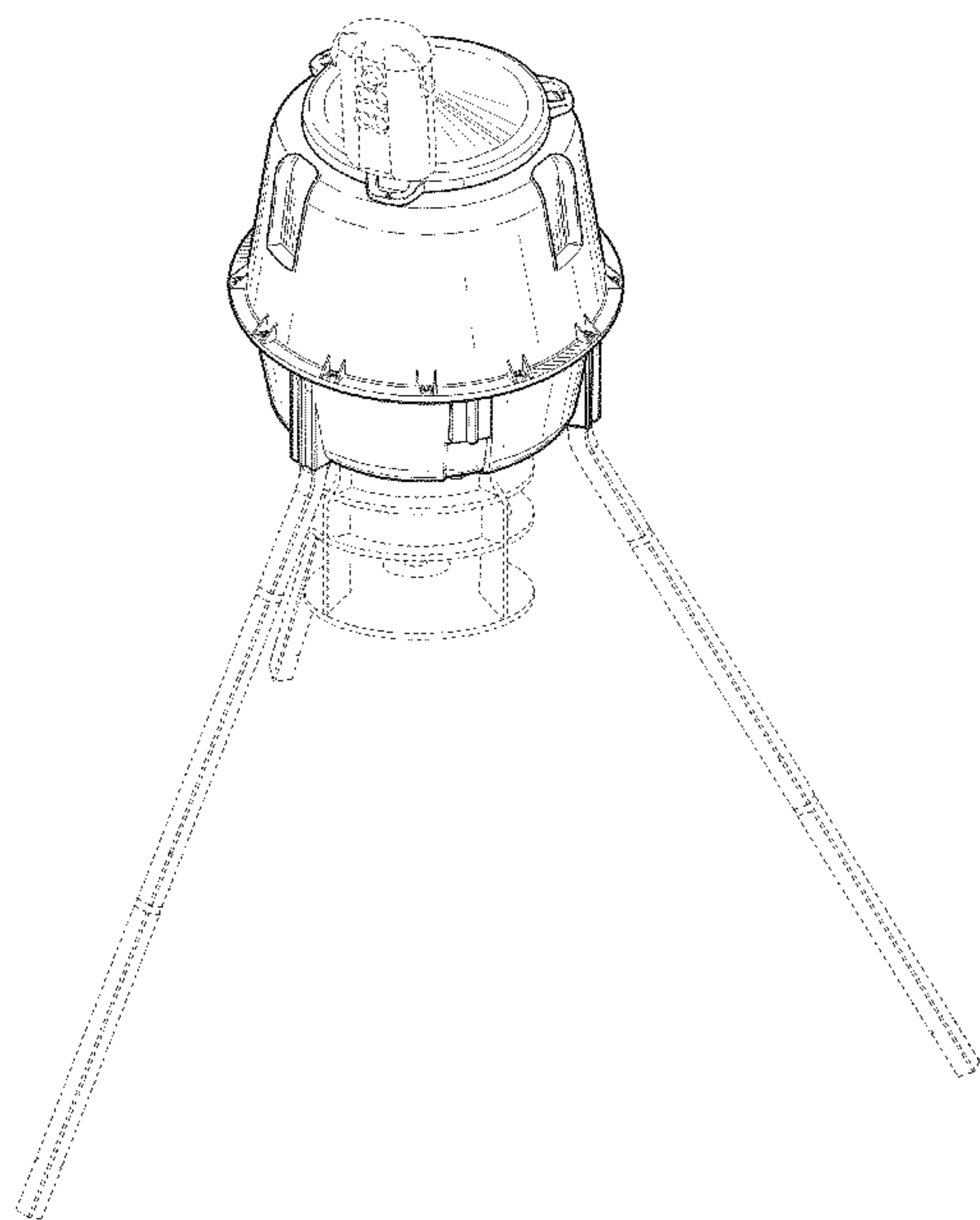
(57) **CLAIM**

The ornamental design for a game feeder, as shown and described.

**DESCRIPTION**

FIG. 1 is a top perspective view of the game feeder; FIG. 2 is a second top perspective view of the game feeder; FIG. 3 is a bottom perspective view of the game feeder; FIG. 4 is a first side view of the game feeder; FIG. 5 is a second side view of the game feeder; FIG. 6 is rear side view of the game feeder; FIG. 7 is a front side view of the game feeder; FIG. 8 is a top plan view of the game feeder; FIG. 9 is a bottom view of the game feeder; FIG. 10 is a second bottom perspective view of the game feeder; FIG. 11 is a side view of the game feeder; FIG. 12 is a second side view of the game feeder; FIG. 13 is a rear side view of the game feeder; FIG. 14 is a front side view of the game feeder; FIG. 15 is a top plan view of the game feeder; and, FIG. 16 is a bottom view of the game feeder. Broken lines and portions contained within broken line are not claimed.

**1 Claim, 11 Drawing Sheets**



(56)

References Cited

U.S. PATENT DOCUMENTS

5,740,757	A *	4/1998	Smeester	119/51.02	6,920,842	B1 *	7/2005	Davis	119/53
5,794,563	A *	8/1998	Klepac	119/57.91	7,028,635	B1 *	4/2006	Eastman, II	119/51.11
5,906,174	A *	5/1999	Muldoon	119/54	D543,666	S *	5/2007	Ross et al.	D30/133
6,082,300	A *	7/2000	Futch	119/51.11	7,222,583	B2 *	5/2007	Foster et al.	119/57.91
6,269,769	B1 *	8/2001	Wenstrand	119/53	D556,388	S *	11/2007	Webb	D30/133
6,427,629	B1 *	8/2002	Lush	119/52.1	7,395,783	B2 *	7/2008	Wooley et al.	119/53.5
6,510,813	B1 *	1/2003	Boone, Jr.	119/57.91	7,523,717	B2 *	4/2009	Nicholes	119/51.01
6,622,653	B1 *	9/2003	Starnes, Jr.	119/51.01	7,780,027	B2 *	8/2010	Coady	220/23.86
D486,946	S *	2/2004	Castro	D30/121	7,798,098	B1 *	9/2010	Patterson	119/51.11
D488,889	S *	4/2004	Walsh	D30/121	D630,802	S *	1/2011	Meritt	D30/121
D507,079	S *	7/2005	Drum	D30/121	8,096,265	B1 *	1/2012	Wisecarver	119/57.1
6,920,841	B2 *	7/2005	Meritt	119/51.01	2003/0019437	A1 *	1/2003	Fore	119/57.92
					2005/0217591	A1 *	10/2005	Turner et al.	119/51.02
					2006/0048712	A1 *	3/2006	Boyer	119/57.91
					2006/0283396	A1 *	12/2006	Hernandez	119/51.13

\* cited by examiner

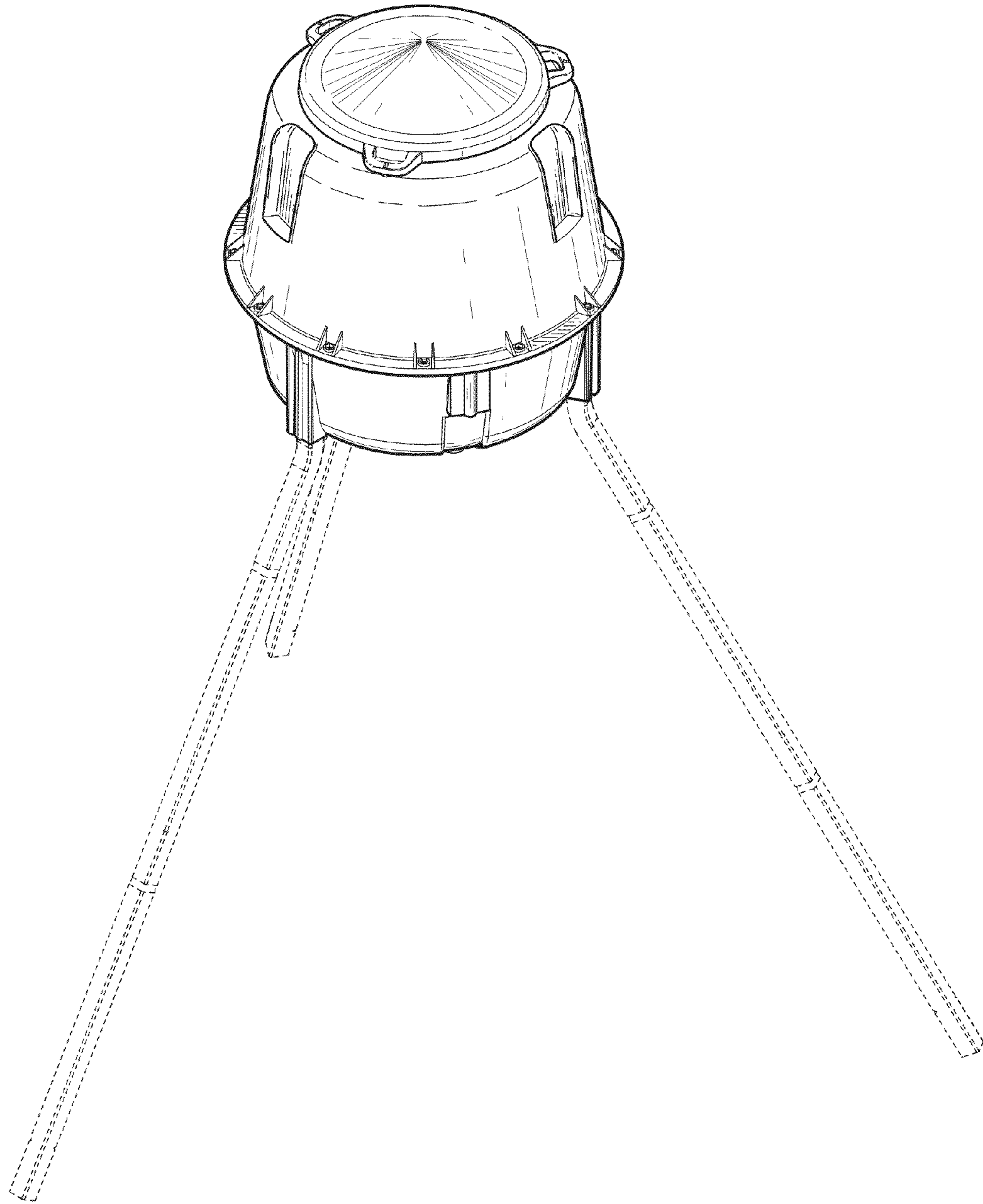
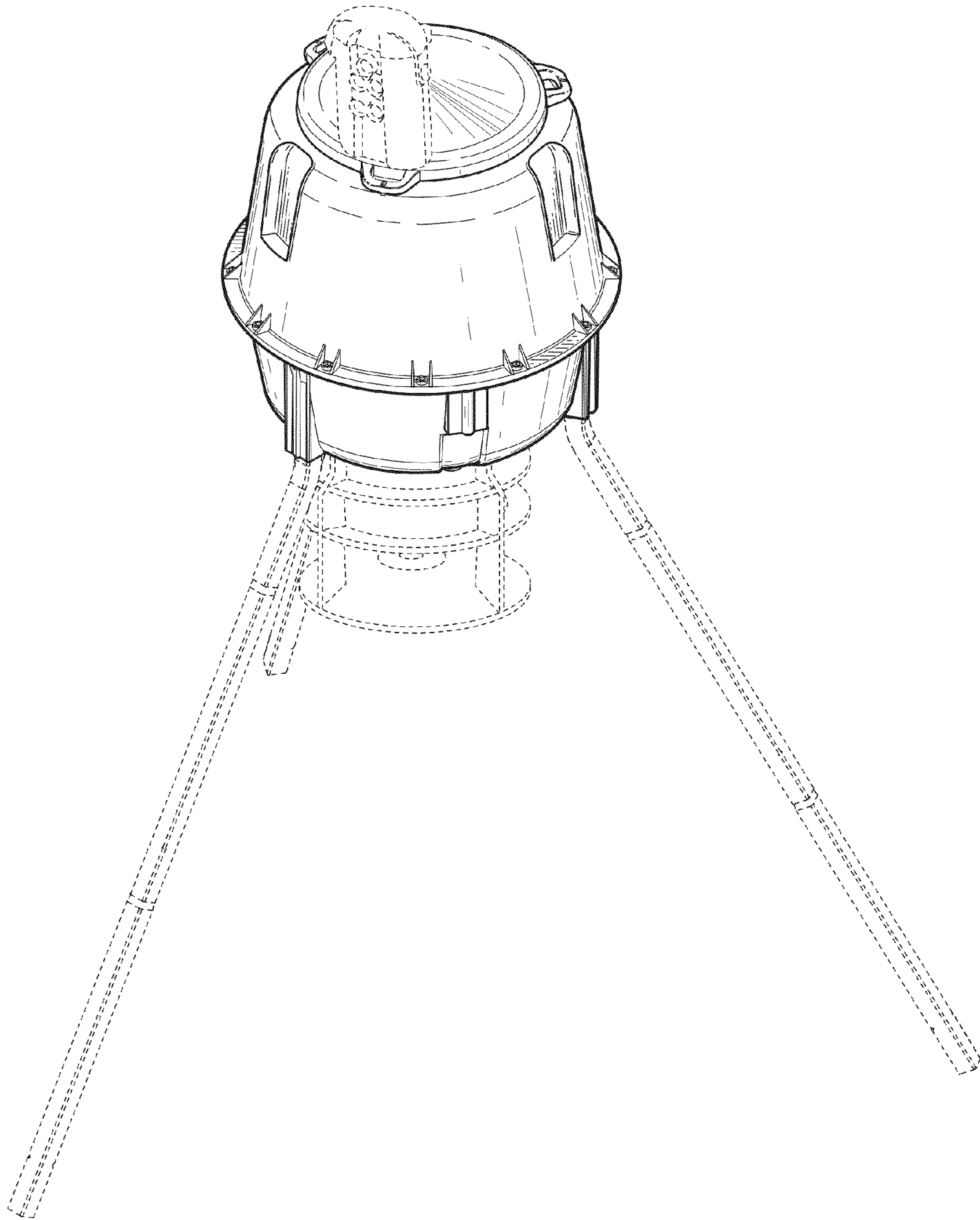
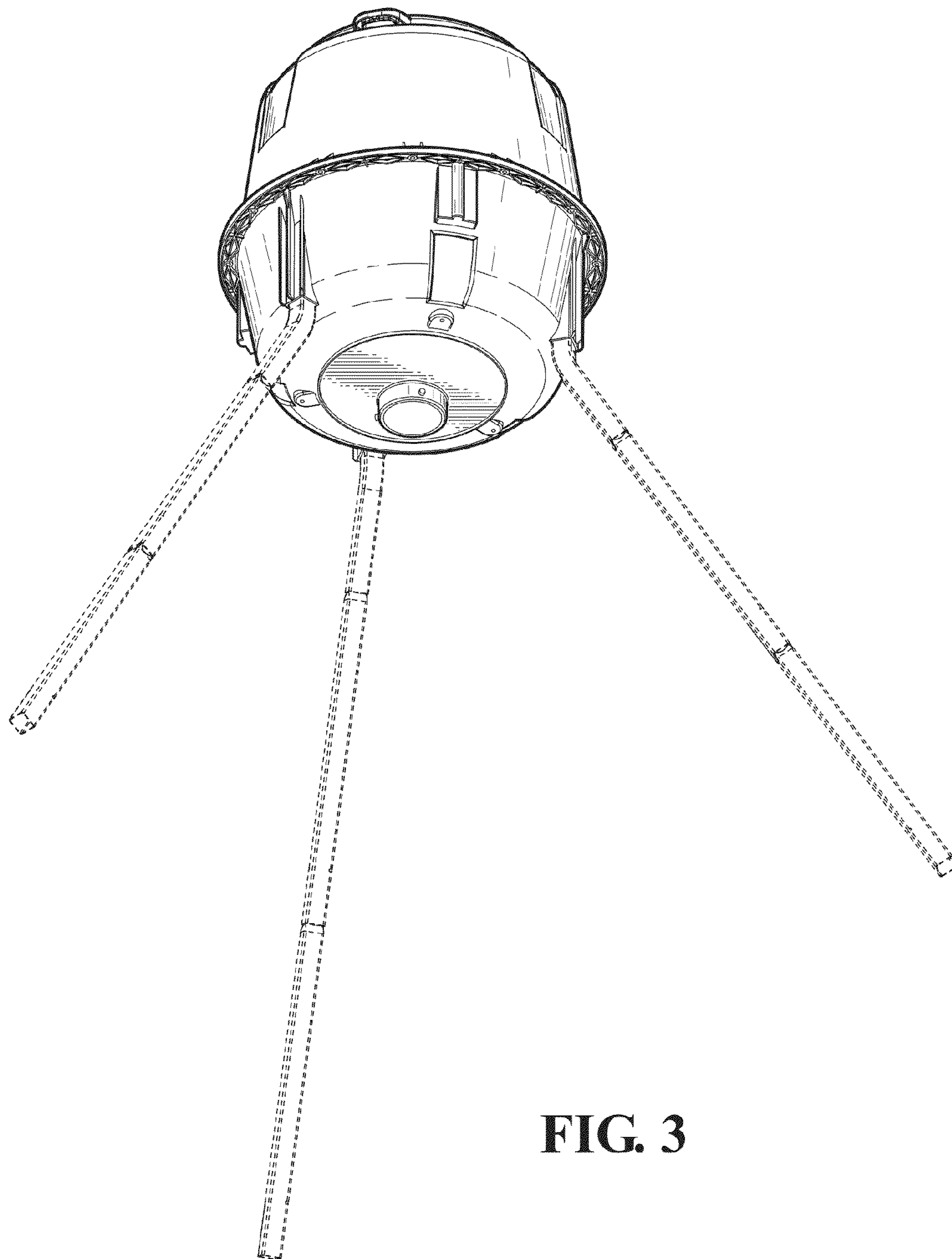


FIG. 1



**FIG. 2**





**FIG. 3**

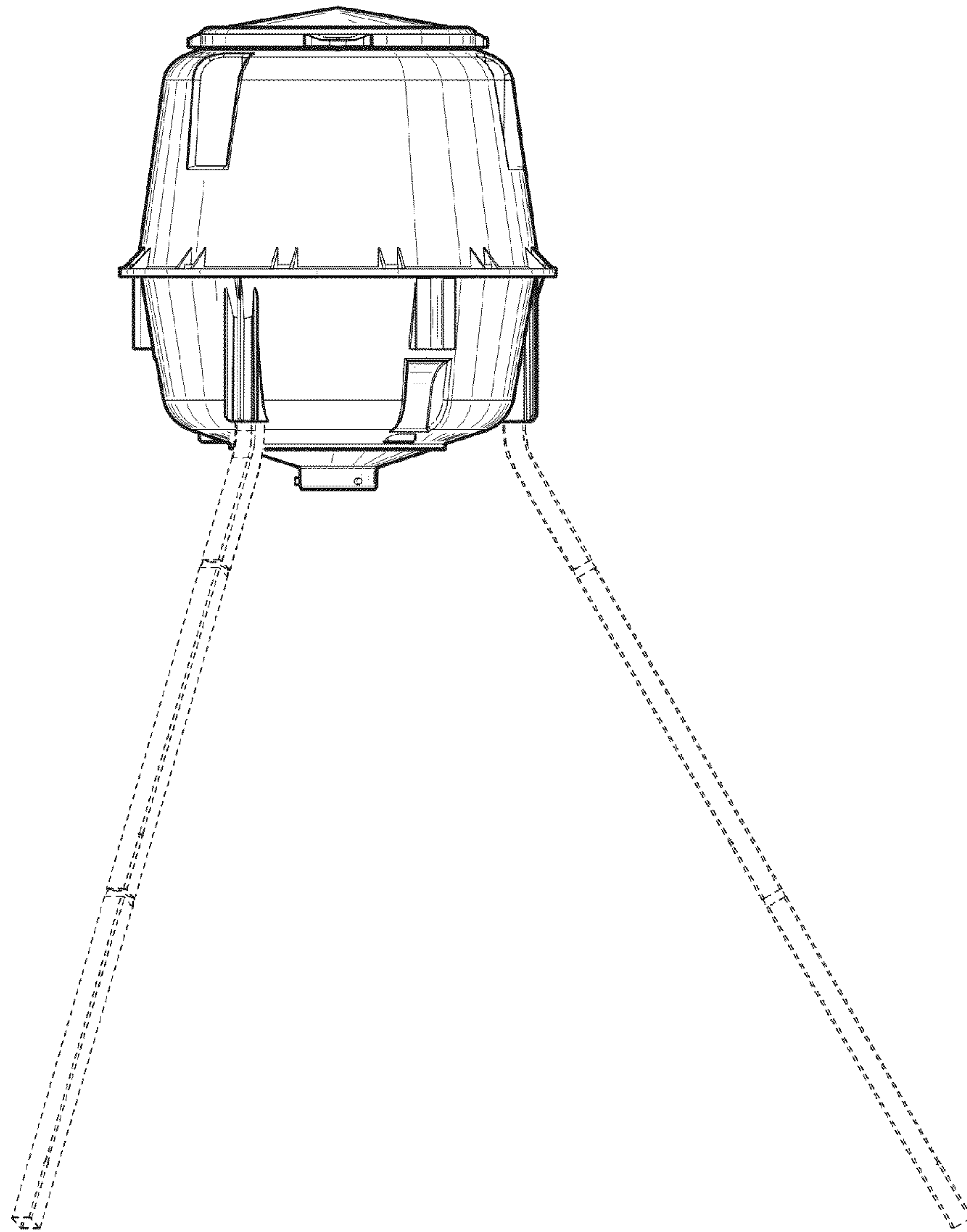
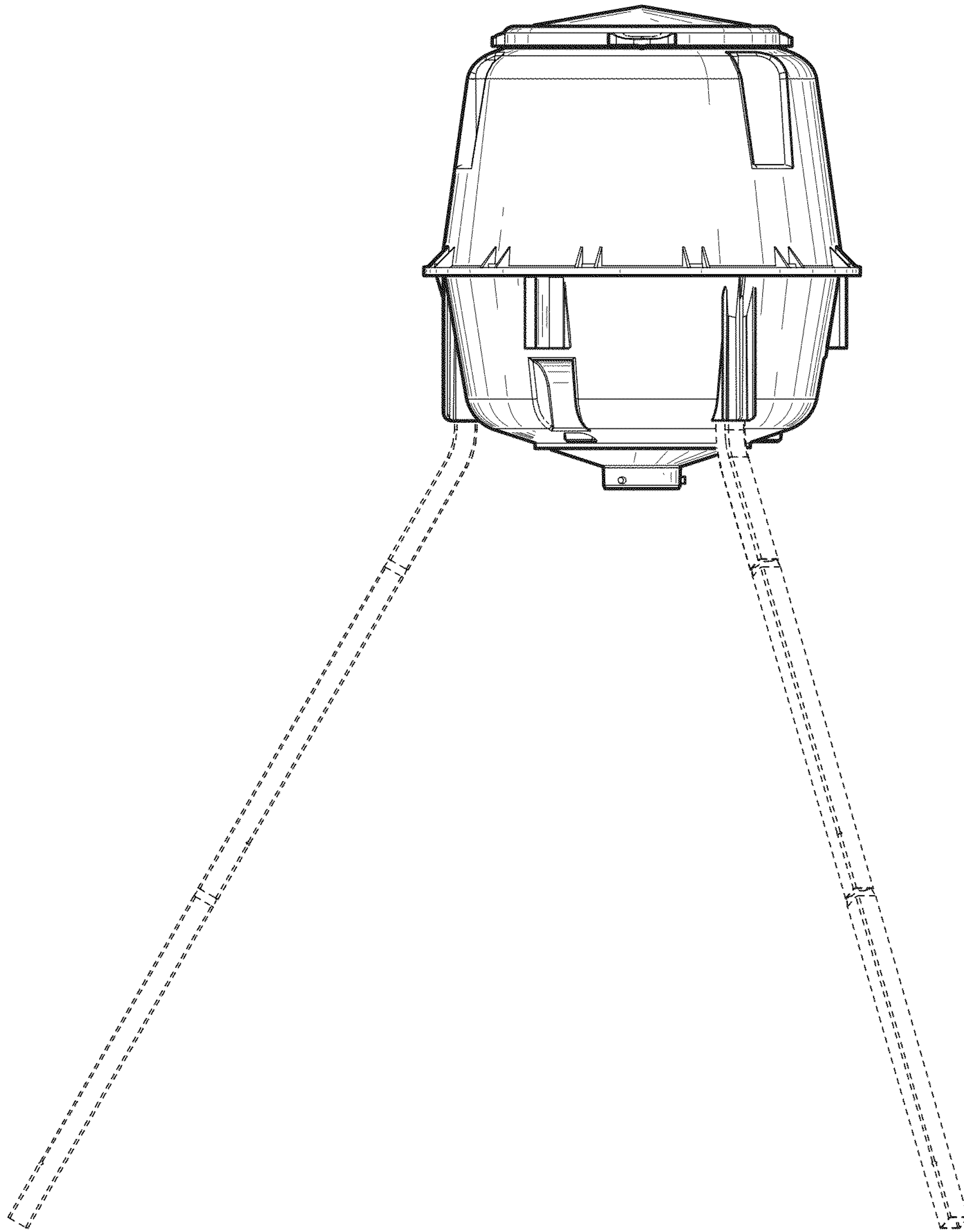


FIG. 4



**FIG. 5**

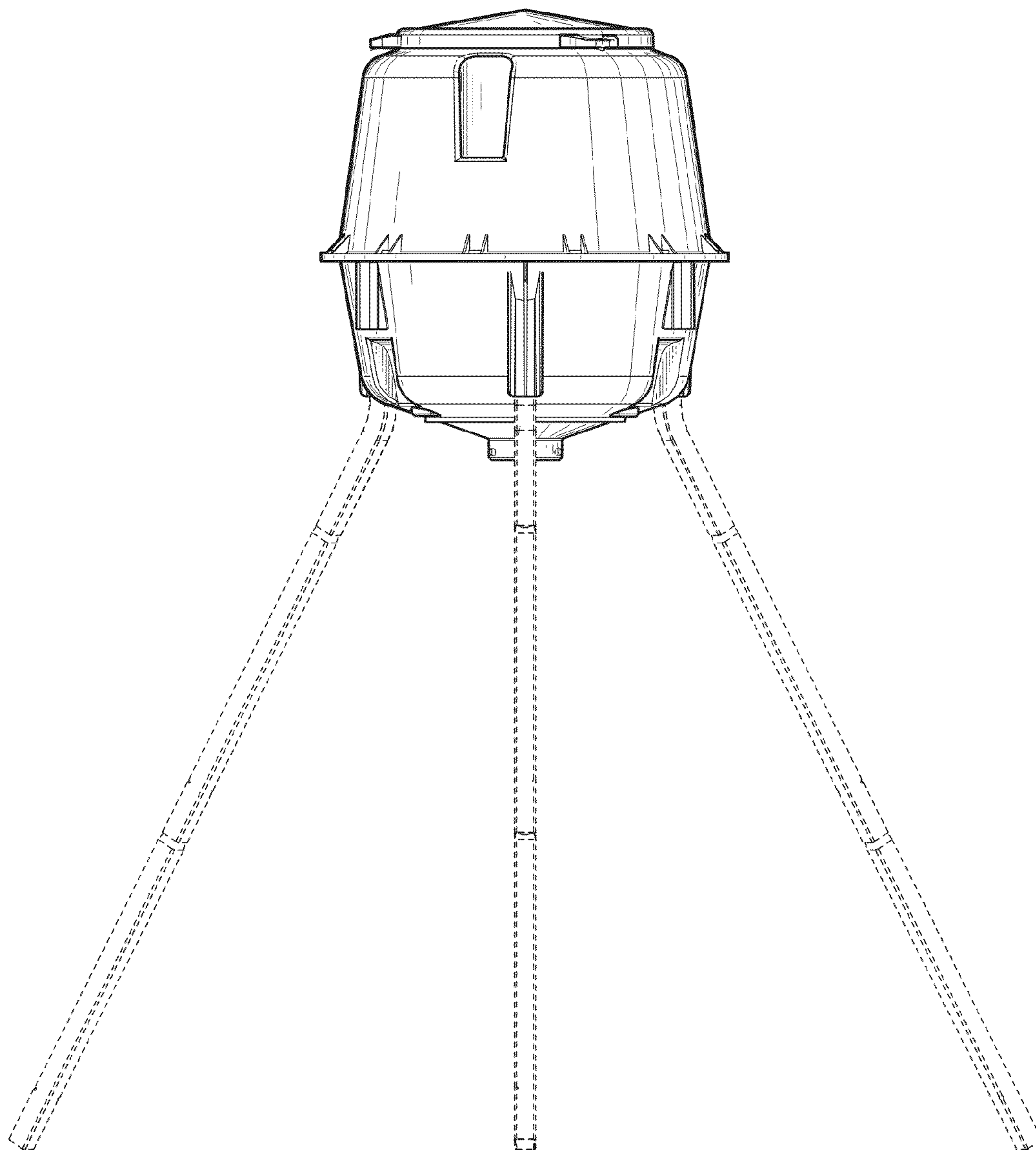
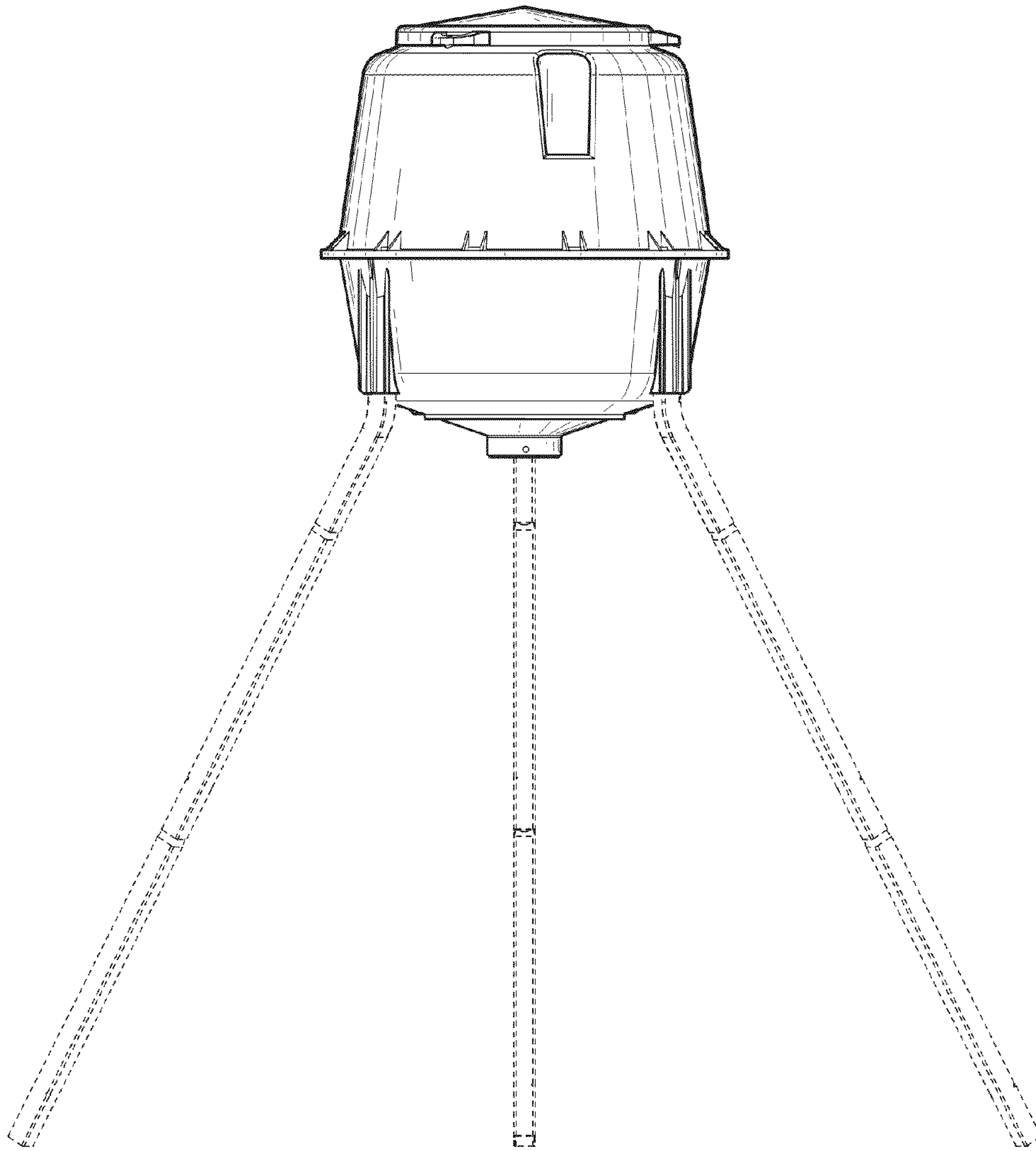
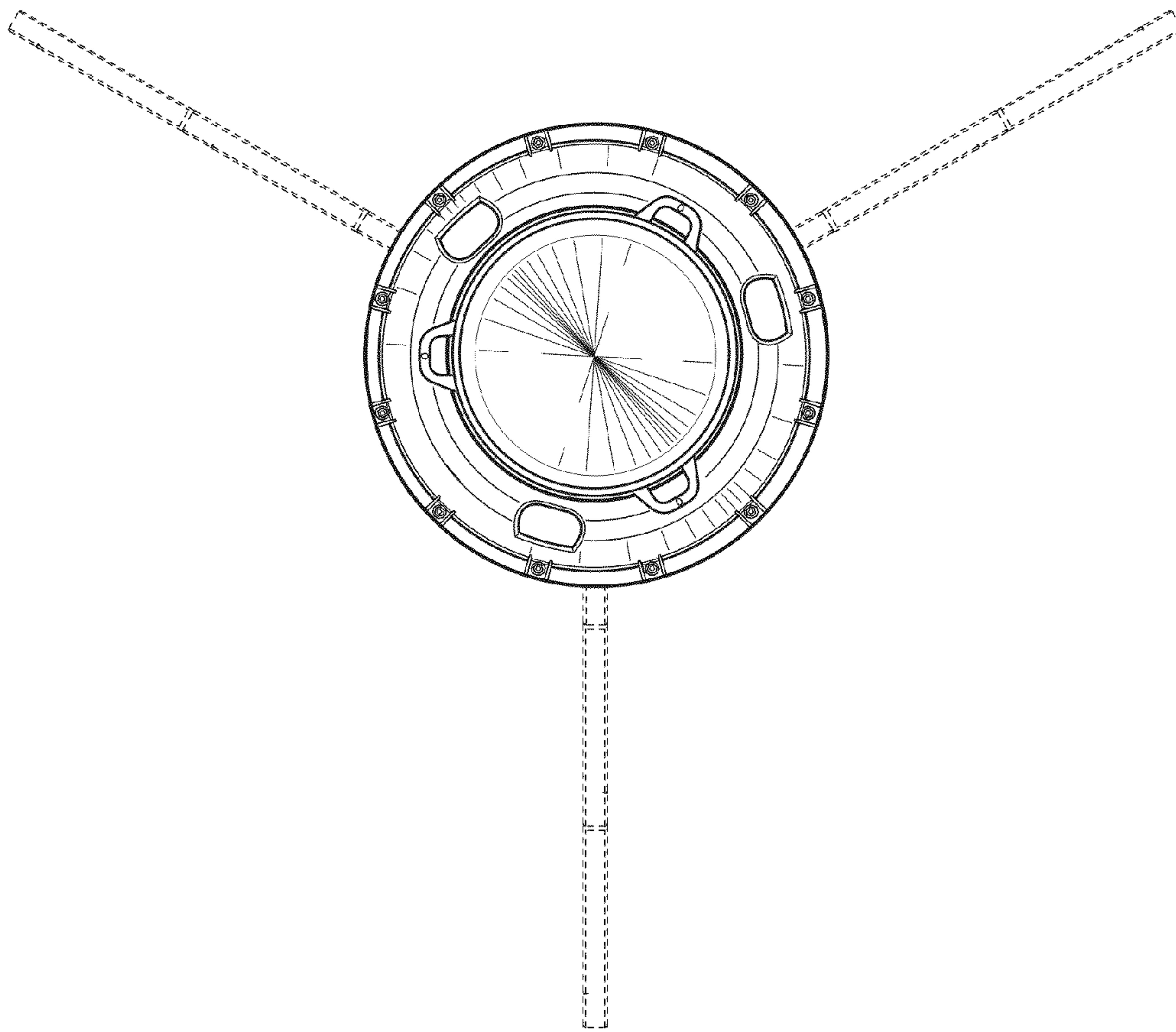


FIG. 6





**FIG. 7**



**FIG. 8**

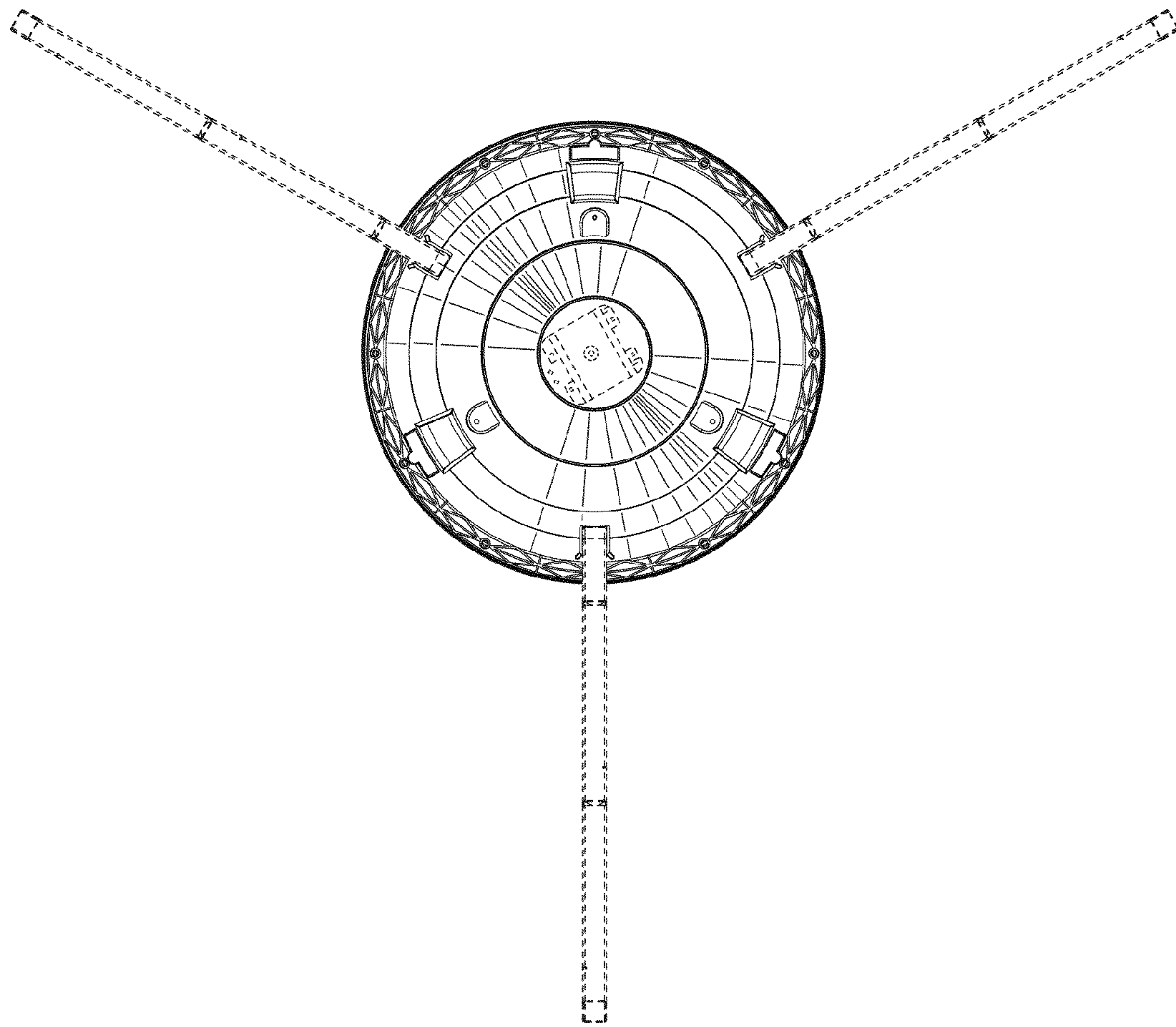
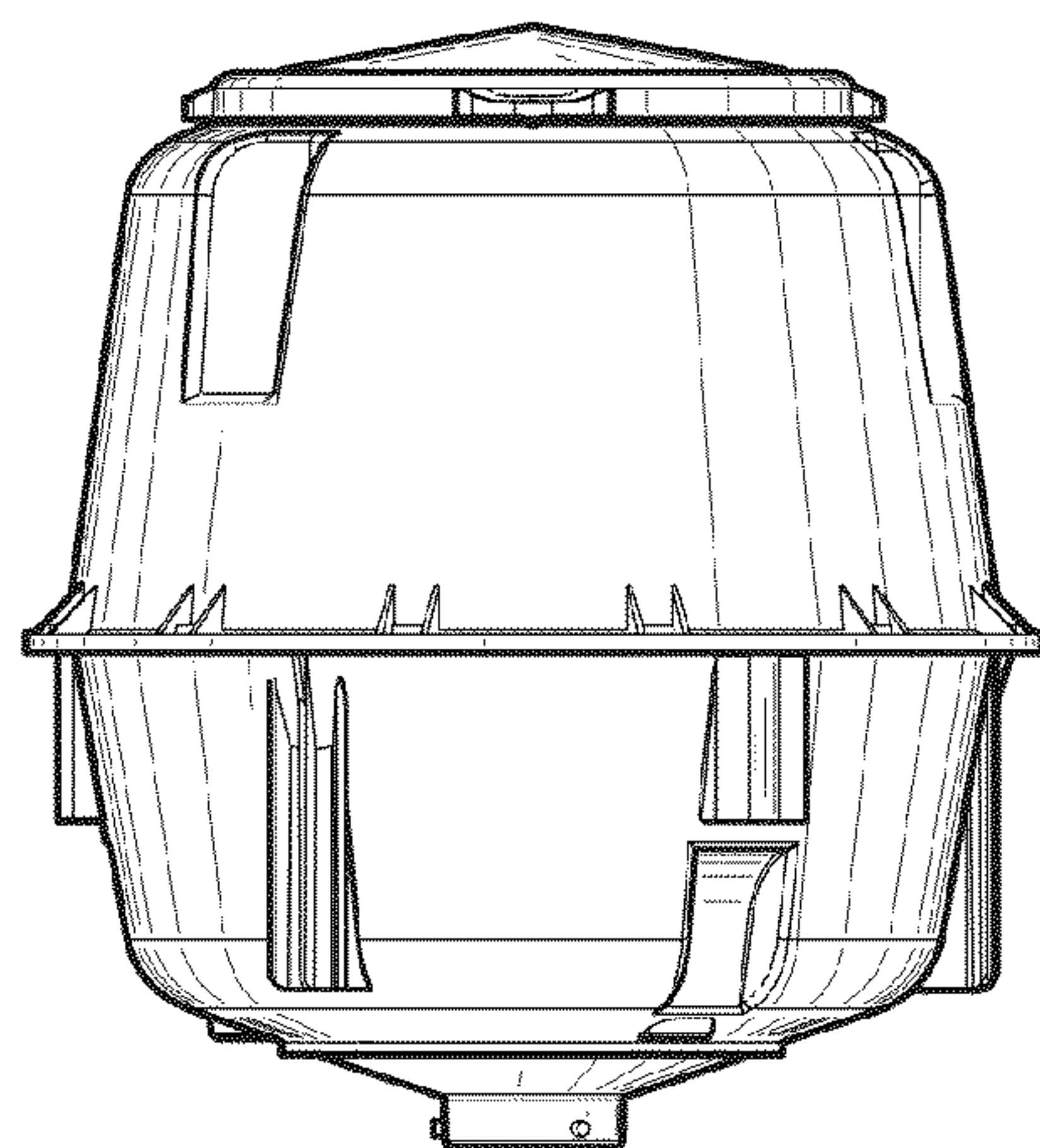
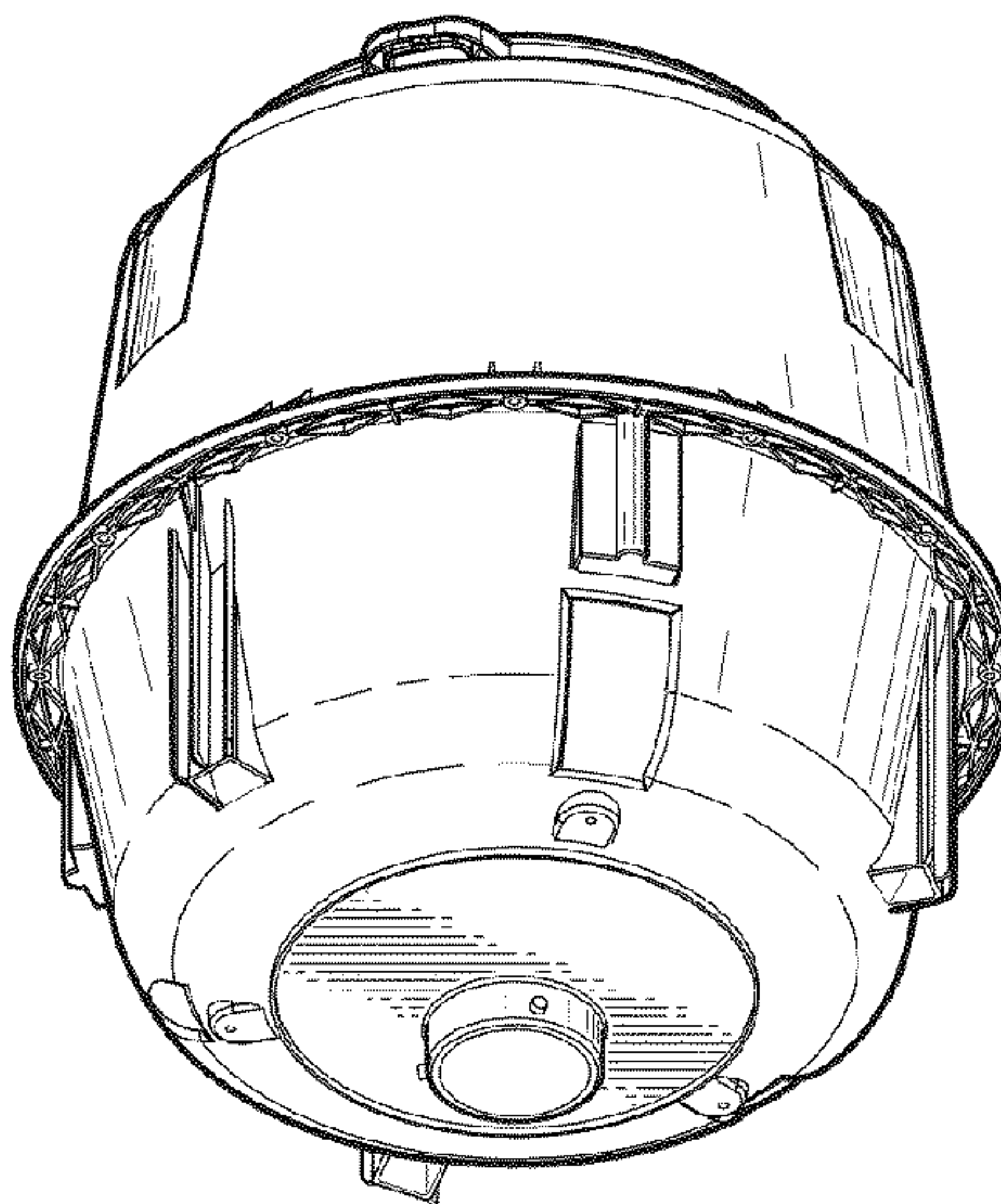
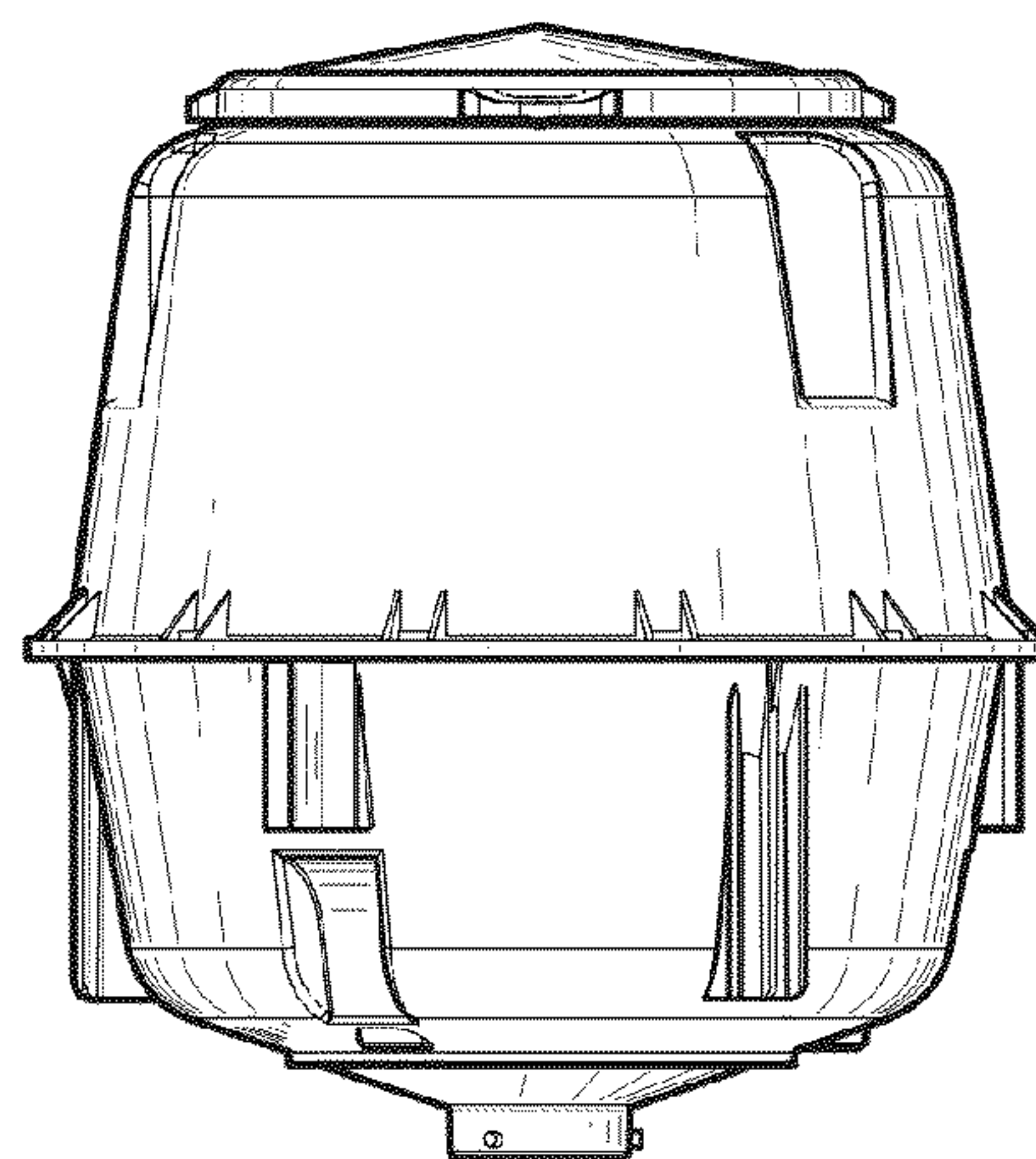


FIG. 9

**FIG. 10**

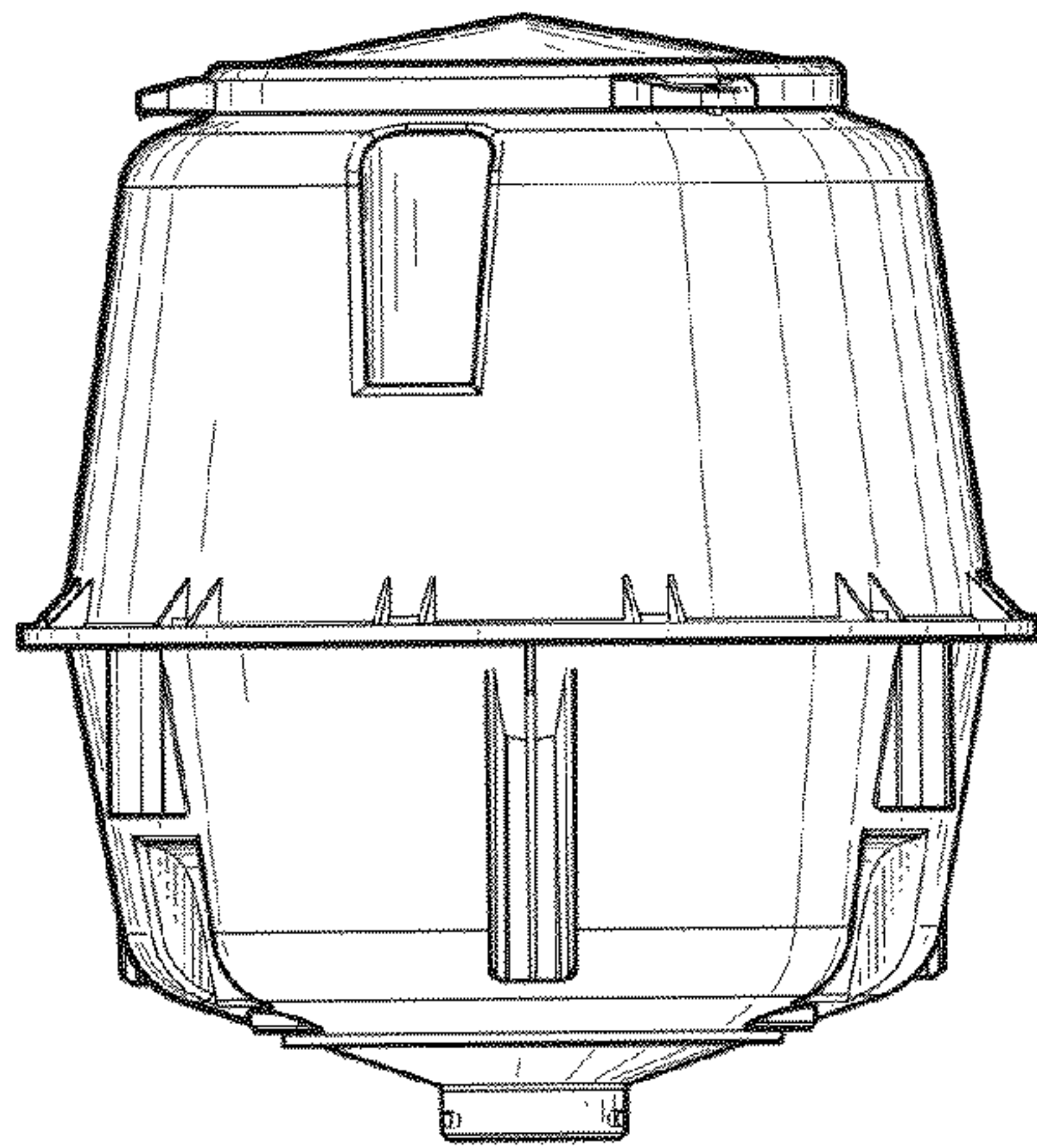


**FIG. 11**

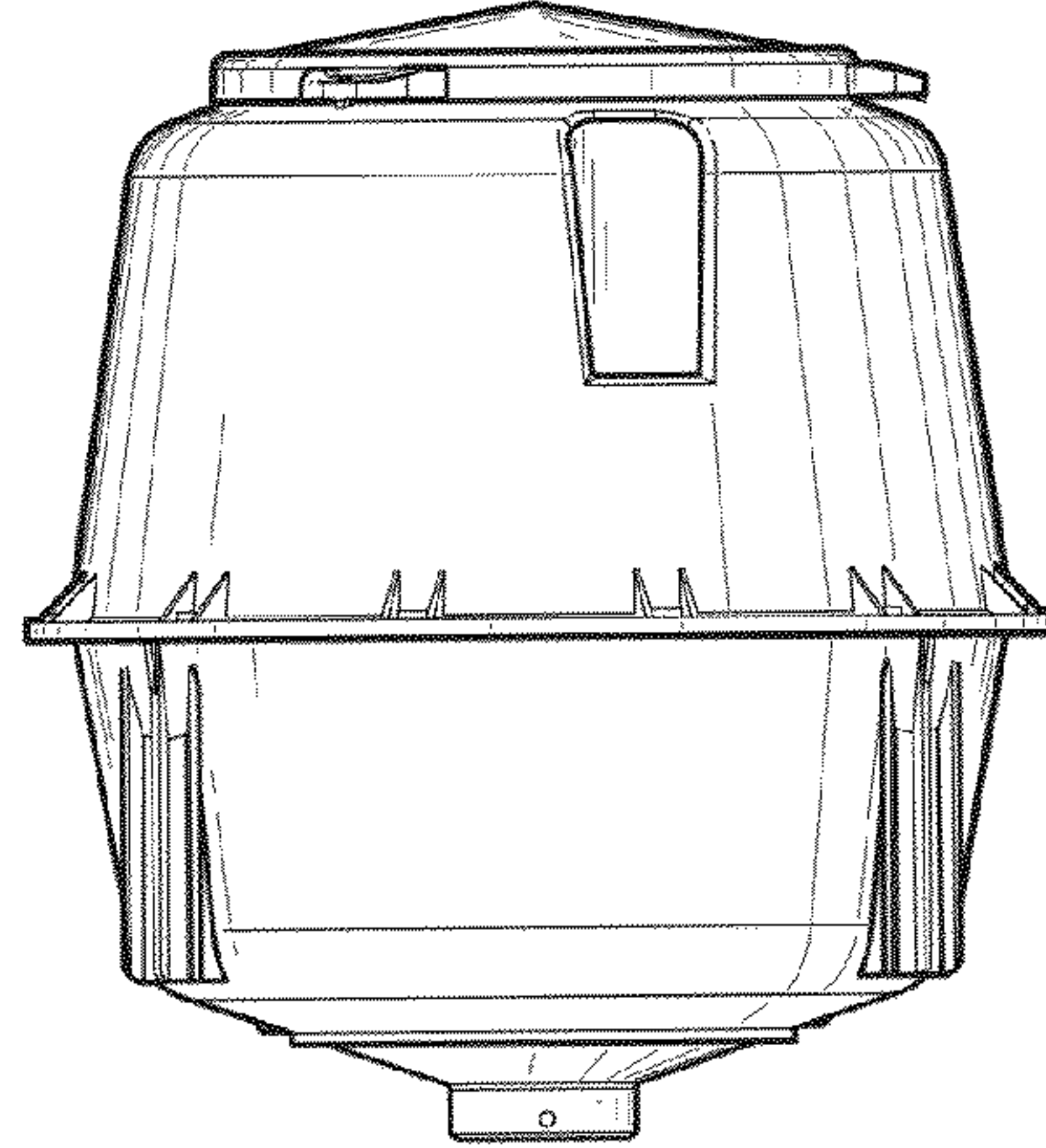


**FIG. 12**

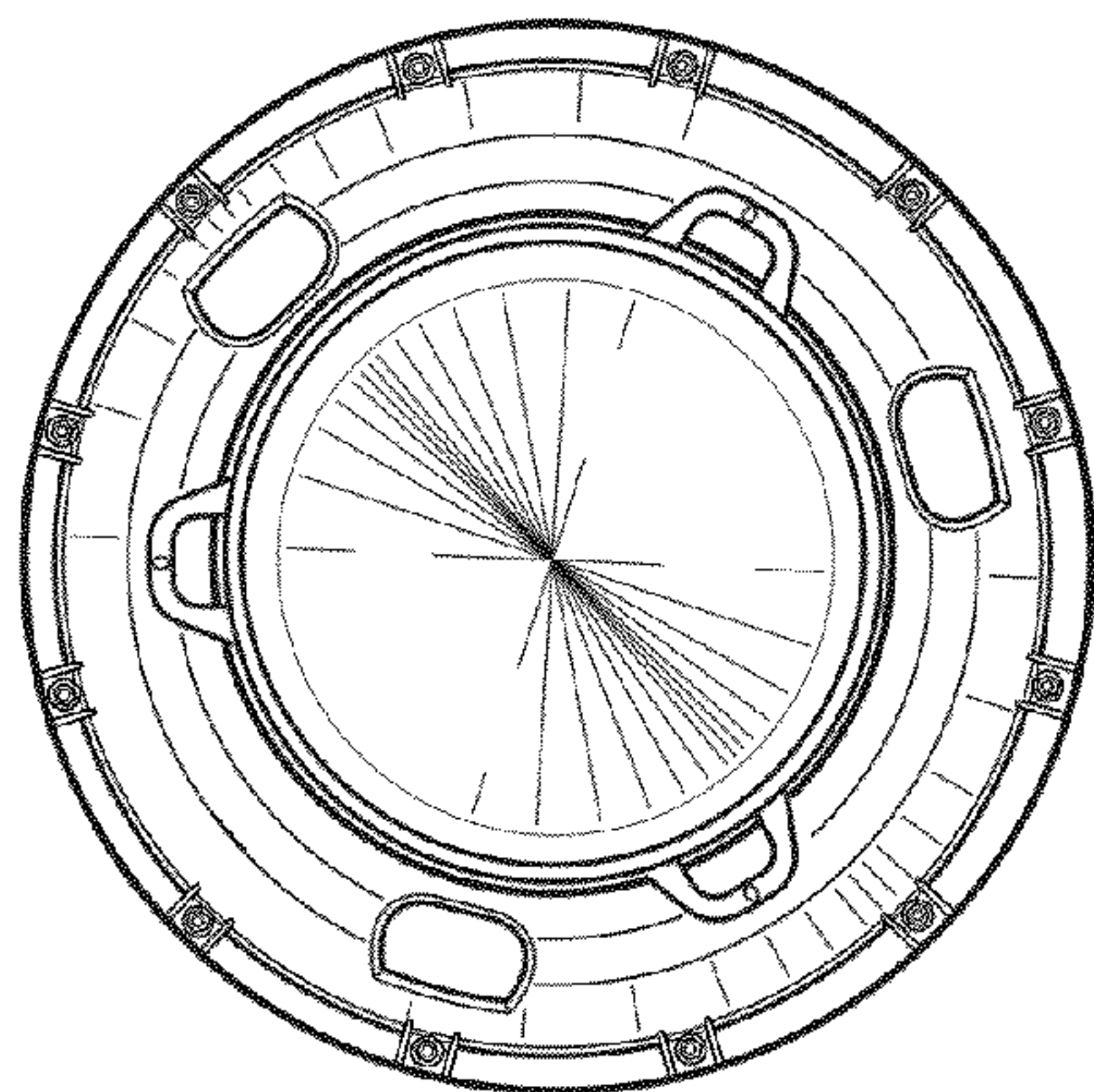




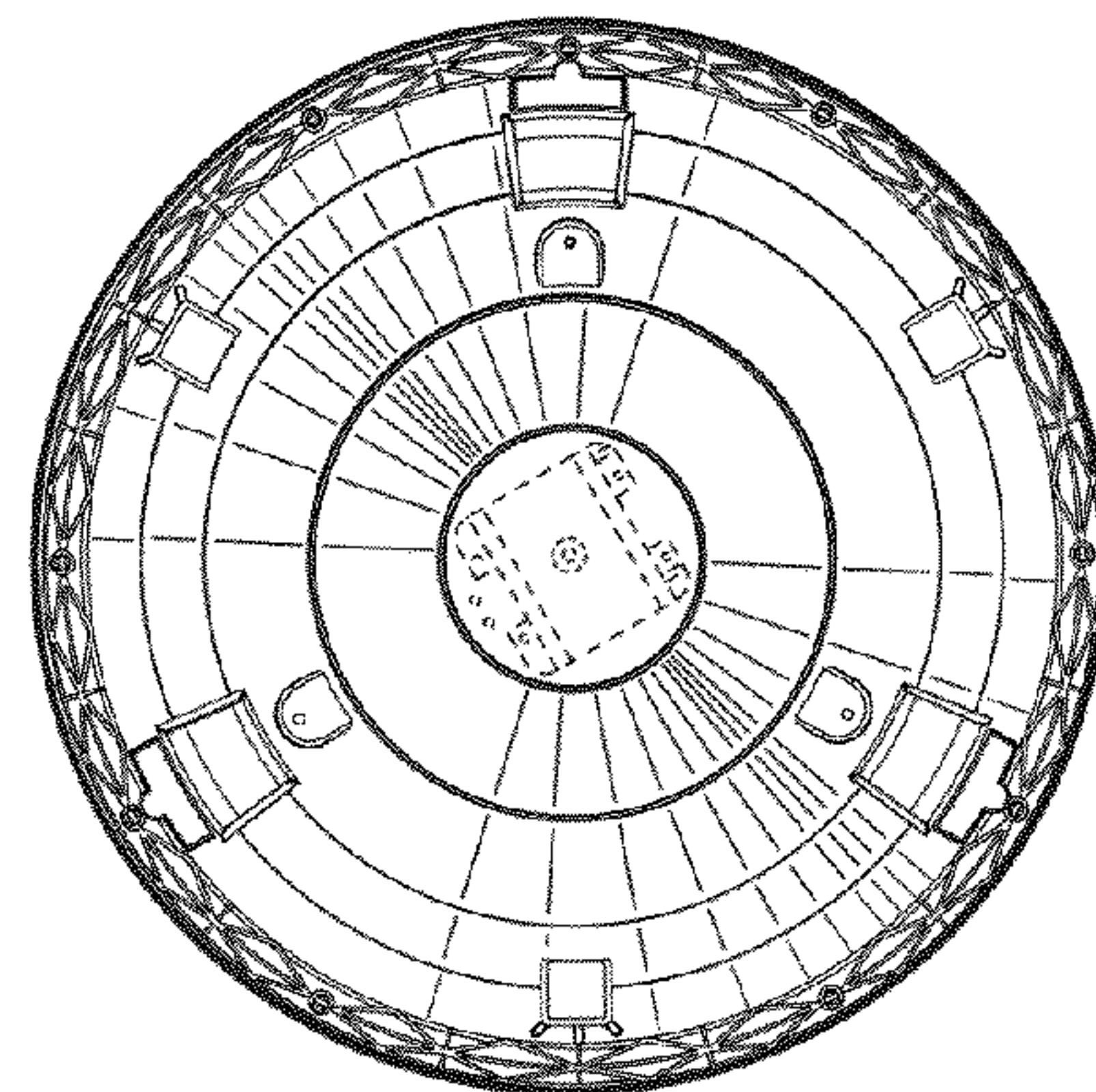
**FIG. 13**



**FIG. 14**



**FIG. 15**



**FIG. 16**