

US00D691769S

(12) **United States Design Patent**
Glamos

(10) **Patent No.:** **US D691,769 S**
(45) **Date of Patent:** **** Oct. 15, 2013**

- (54) **BIRD PERCH**
- (71) Applicant: **Paul Joseph Glamos**, Hugo, MN (US)
- (72) Inventor: **Paul Joseph Glamos**, Hugo, MN (US)
- (**) Term: **14 Years**
- (21) Appl. No.: **29/448,536**
- (22) Filed: **Mar. 13, 2013**
- (51) **LOC (9) Cl.** **30-02**
- (52) **U.S. Cl.**
USPC **D30/119**
- (58) **Field of Classification Search**
USPC D30/119, 199; 119/468, 531, 52.2,
119/57.8
See application file for complete search history.

5,702,085	A *	12/1997	Nissim et al.	119/468
D419,268	S *	1/2000	Frank	D30/119
6,457,439	B1 *	10/2002	Engelking	119/537
6,578,525	B2 *	6/2003	Engelking et al.	119/468
D483,157	S *	12/2003	Yang	D30/119
6,827,040	B1 *	12/2004	McGinn et al.	119/468
6,971,332	B2 *	12/2005	Woltmann et al.	119/467
D530,866	S *	10/2006	Woltmann et al.	D30/119
D637,368	S *	5/2011	Willinger et al.	D30/160

* cited by examiner

Primary Examiner — Cathy A MacCormac
(74) *Attorney, Agent, or Firm* — Merchant & Gould P.C.

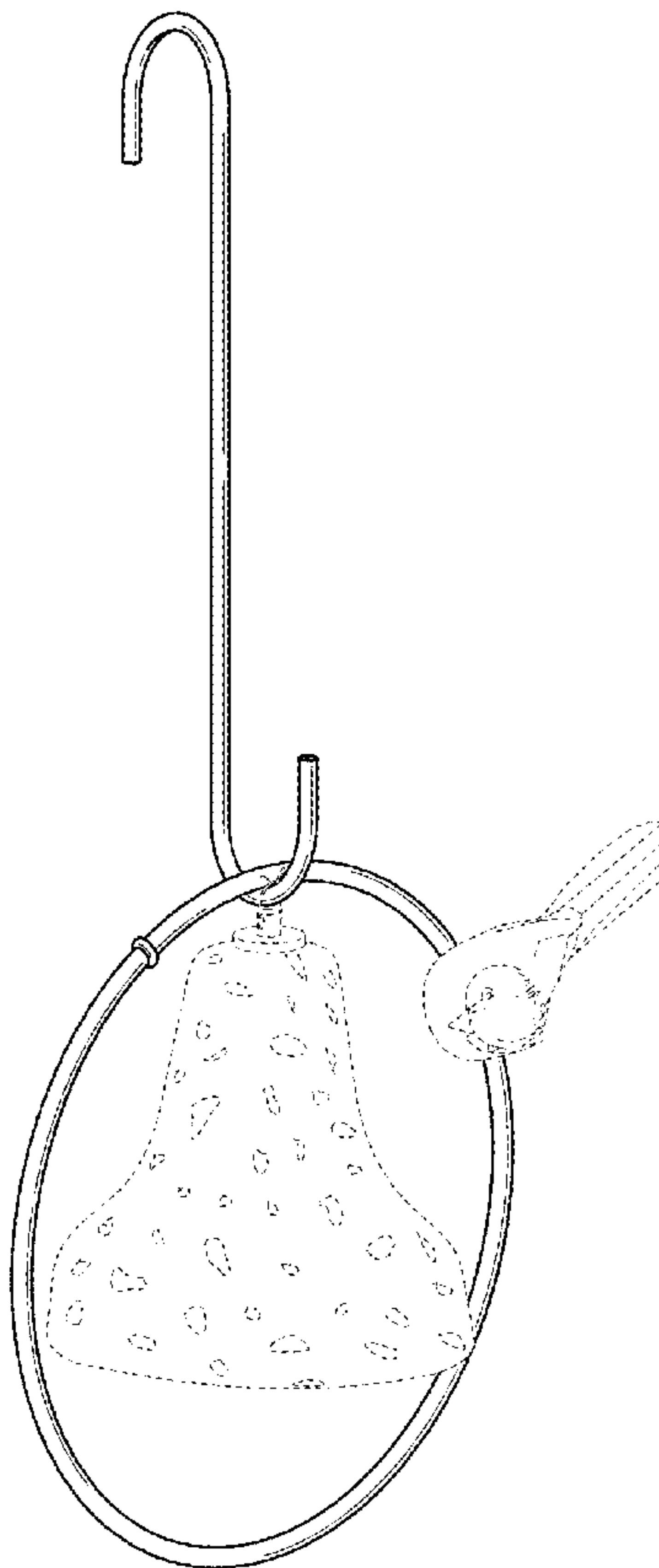
(57) **CLAIM**
The ornamental design for a bird perch, as shown and described.

DESCRIPTION

FIG. 1 is a perspective view of the bird perch.
FIG. 2 is a front view of the bird perch of FIG. 1.
FIG. 3 is a back view of the bird perch of FIG. 1.
FIG. 4 is a first side view of the bird perch of FIG. 1.
FIG. 5 is a second side view of the bird perch of FIG. 1.
FIG. 6 is a bottom view of the bird perch of FIG. 1; and,
FIG. 7 is a top view of the bird perch of FIG. 1.
The broken line showing of the bird and bird food is included for the purpose of illustrating the unclaimed environment of the bird perch and forms no part of the claimed design.

1 Claim, 3 Drawing Sheets

- (56) **References Cited**
U.S. PATENT DOCUMENTS
- | | | | | | |
|-----------|-----|---------|-----------------|-------|---------|
| 2,483,003 | A * | 9/1949 | Fischer | | 119/468 |
| D174,580 | S * | 4/1955 | Kane | | D30/119 |
| D183,655 | S * | 10/1958 | Kiehl | | D30/119 |
| 3,820,195 | A * | 6/1974 | Hutzell | | 452/187 |
| 4,542,714 | A * | 9/1985 | Ingraham et al. | | 119/531 |
| D297,471 | S * | 8/1988 | Carlin | | D30/119 |
| D353,693 | S * | 12/1994 | Lawson | | D30/119 |
| D371,226 | S * | 6/1996 | Lee | | D30/119 |
| D386,834 | S * | 11/1997 | Nissim et al. | | D30/119 |



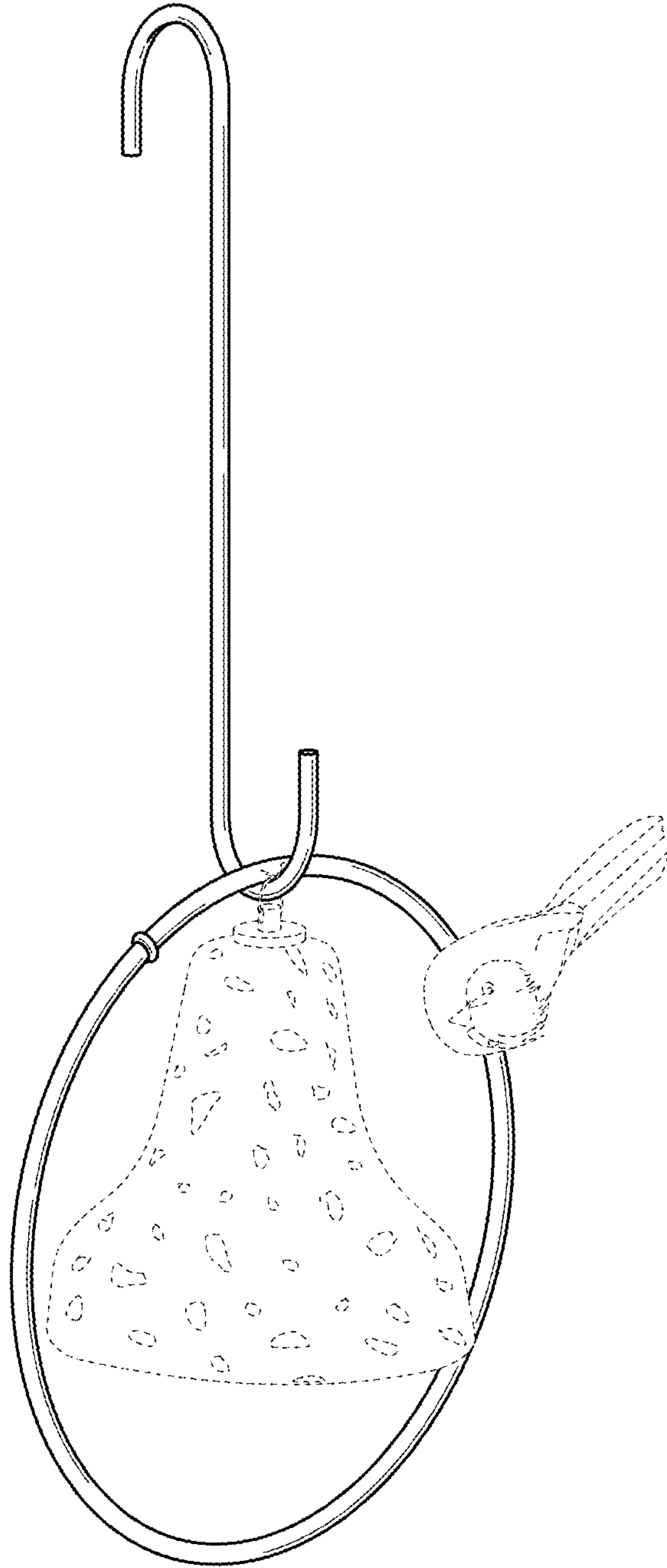


FIG. 1

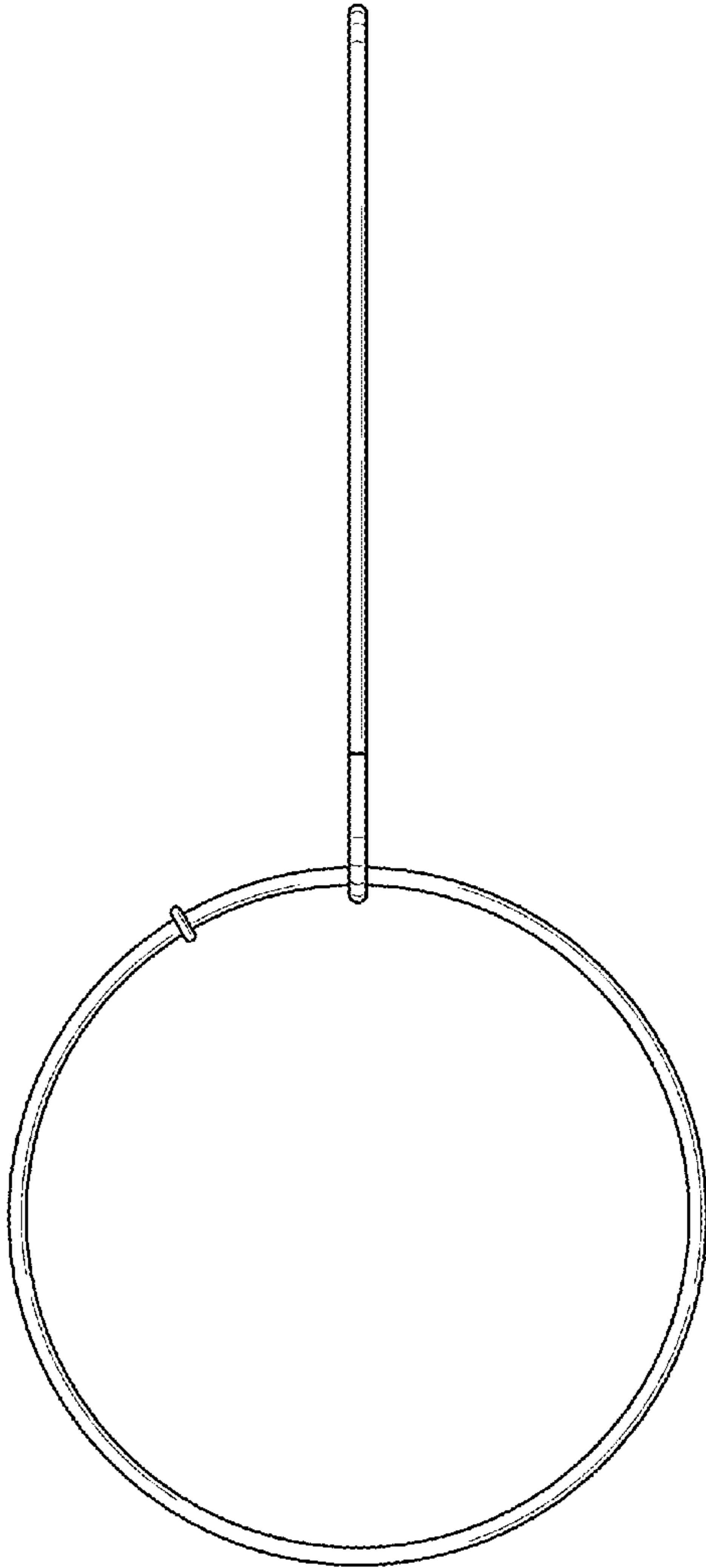


FIG. 2

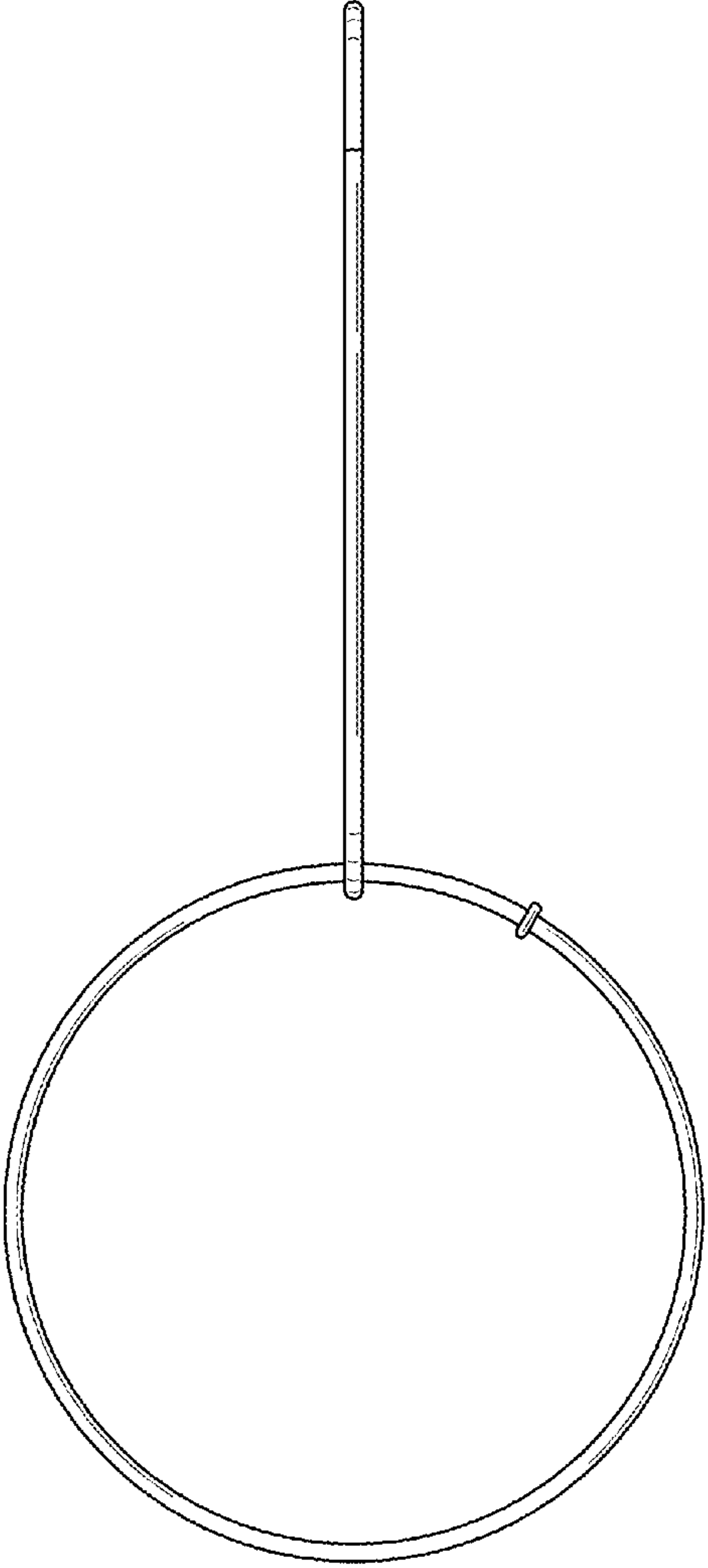


FIG. 3

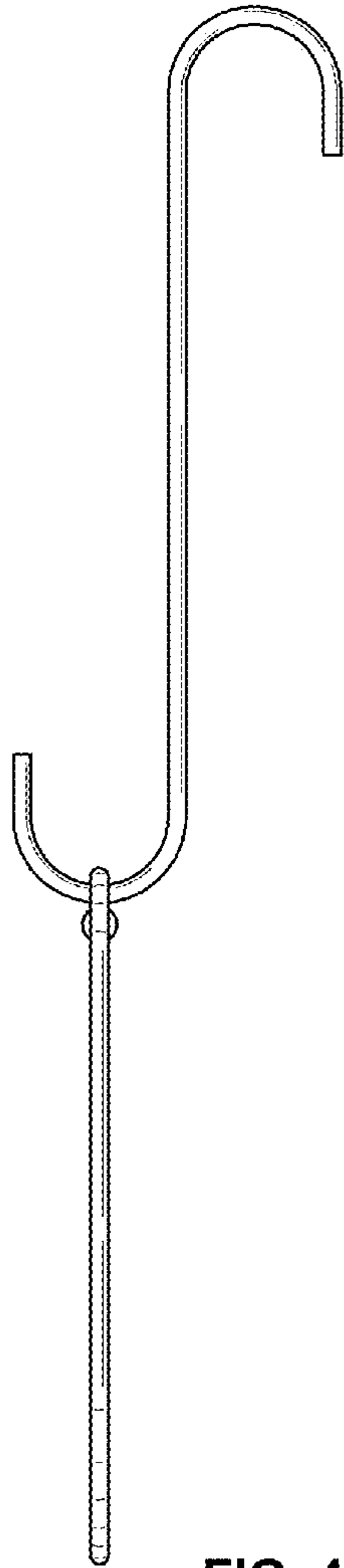


FIG. 4

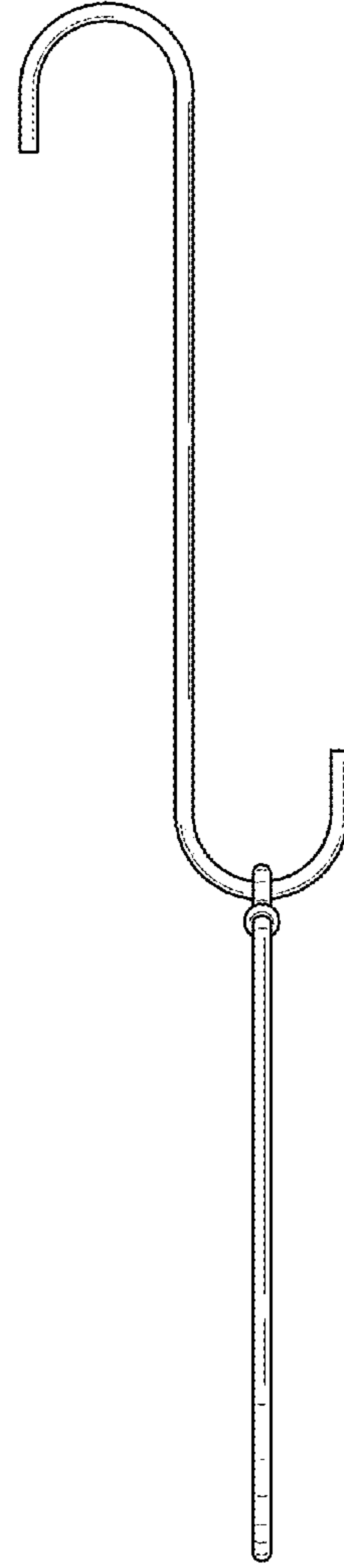


FIG. 5

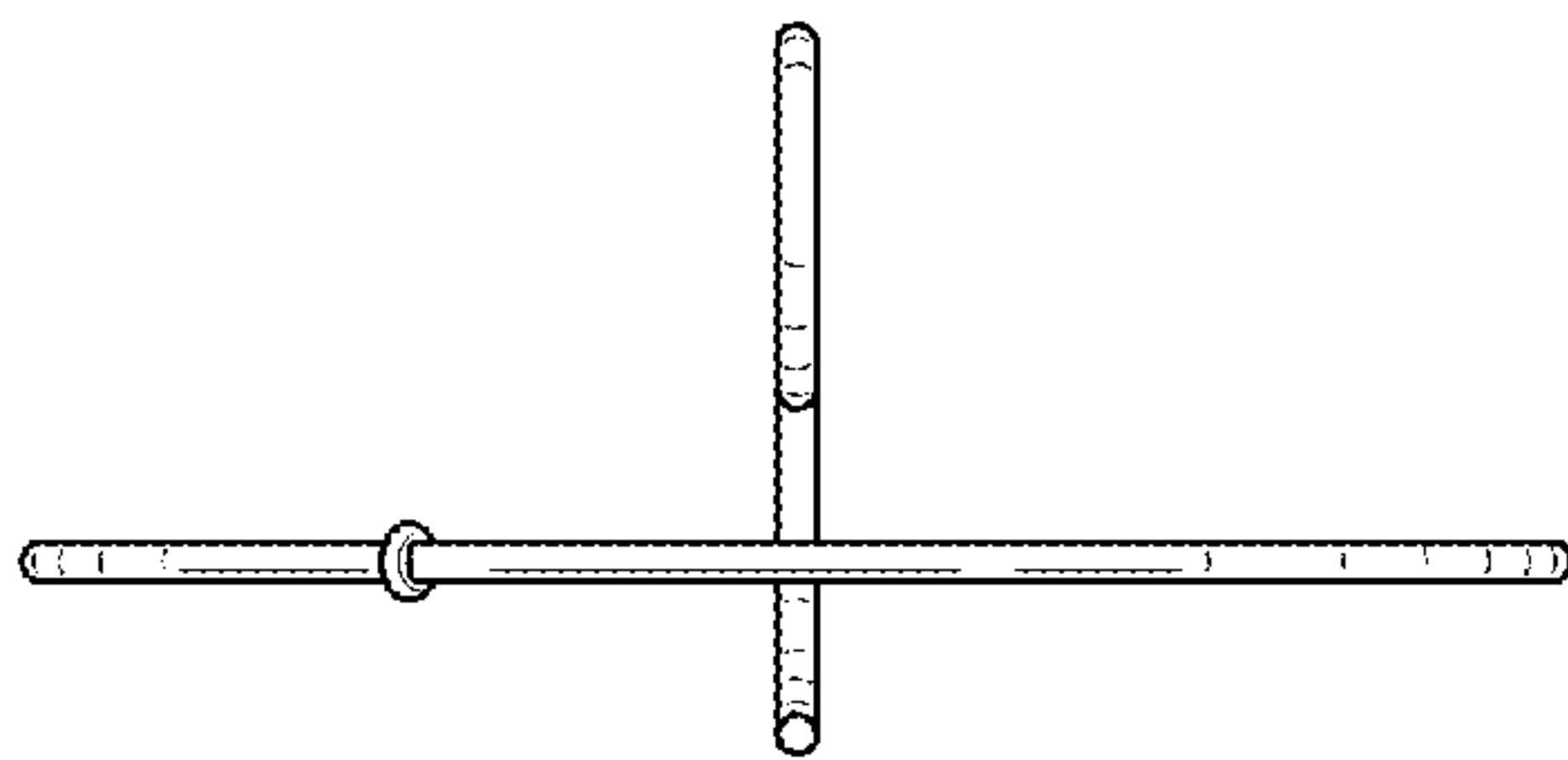


FIG. 6

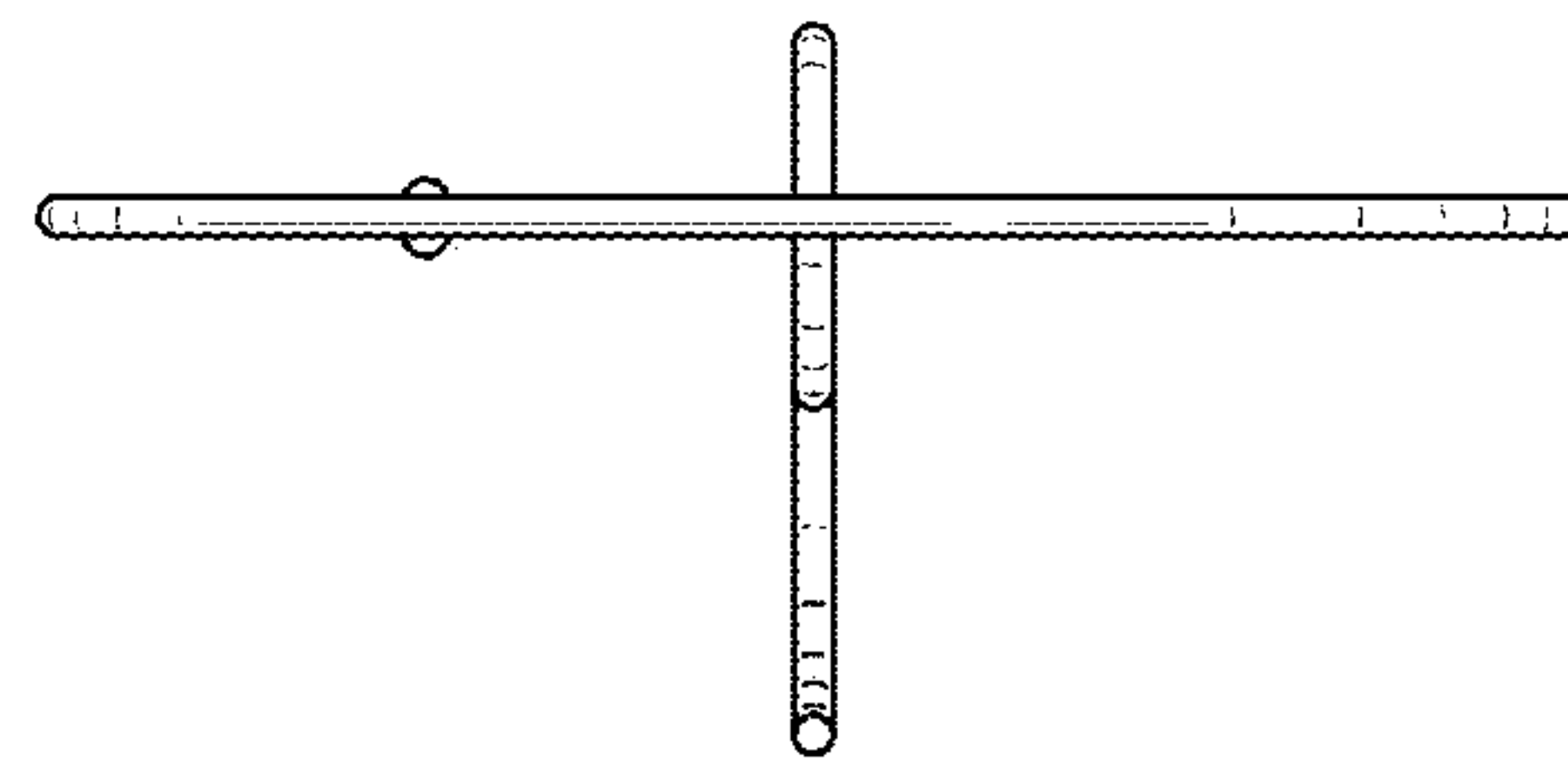


FIG. 7