

US00D691768S

(12) **United States Design Patent**  
**Lin**

(10) **Patent No.:** **US D691,768 S**  
(45) **Date of Patent:** **\*\* Oct. 15, 2013**

(54) **TABLETOP CIGARETTE MAKING MACHINE AND HOPPER ASSEMBLY**

(74) *Attorney, Agent, or Firm* — Drinker Biddle & Reath LLP

(71) Applicant: **Republic Tobacco L.P.**, Glenview, IL (US)

(57) **CLAIM**  
The ornamental design for a tabletop cigarette making machine and hopper assembly, as shown and described.

(72) Inventor: **Mei Lin**, Northbrook, IL (US)

**DESCRIPTION**

(73) Assignee: **Republic Tobacco L.P.**, Glenview, IL (US)

(\*\*) Term: **14 Years**

(21) Appl. No.: **29/441,559**

(22) Filed: **Jan. 7, 2013**

(51) **LOC (9) Cl.** ..... **27-99**

(52) **U.S. Cl.**  
USPC ..... **D27/194**

(58) **Field of Classification Search**  
USPC ..... D27/172, 183, 184, 194; D7/372, 678, D7/679; 131/57, 58, 70-75, 329  
See application file for complete search history.

FIG. 1 is a front perspective view of a tabletop cigarette making machine and hopper assembly showing the hopper separated for clarity of disclosure;  
FIG. 2 is a front elevation view of the tabletop cigarette making machine and hopper assembly of FIG. 1;  
FIG. 3 is a rear elevation view of the tabletop cigarette making machine and hopper assembly of FIG. 1;  
FIG. 4 is a right side elevation view of the tabletop cigarette making machine and hopper assembly of FIG. 1;  
FIG. 5 is a left side elevation view of the tabletop cigarette making machine and hopper assembly of FIG. 1;  
FIG. 6 is a top plan view of the tabletop cigarette making machine and hopper assembly of FIG. 1; and  
FIG. 7 is a bottom plan view of the tabletop cigarette making machine and hopper assembly of FIG. 1,  
FIG. 8 is a front perspective view of a tabletop cigarette making machine and hopper assembly including the hopper of FIGS. 1-7;  
FIG. 9 is a front elevation view of the tabletop cigarette making machine and hopper assembly of FIG. 8;  
FIG. 10 is a rear elevation view of the tabletop cigarette making machine and hopper assembly of FIG. 8;  
FIG. 11 is a right side elevation view of the tabletop cigarette making machine and hopper assembly of FIG. 8;  
FIG. 12 is a left side elevation view of the tabletop cigarette making machine and hopper assembly of FIG. 8;  
FIG. 13 is a top plan view of the tabletop cigarette making machine and hopper assembly of FIG. 8; and  
FIG. 14 is a bottom plan view of the tabletop cigarette making machine and hopper assembly of FIG. 8, wherein the broken lines in the figures show environmental context for illustrative purposes only and do not form a part of the claimed design.

(56) **References Cited**

U.S. PATENT DOCUMENTS

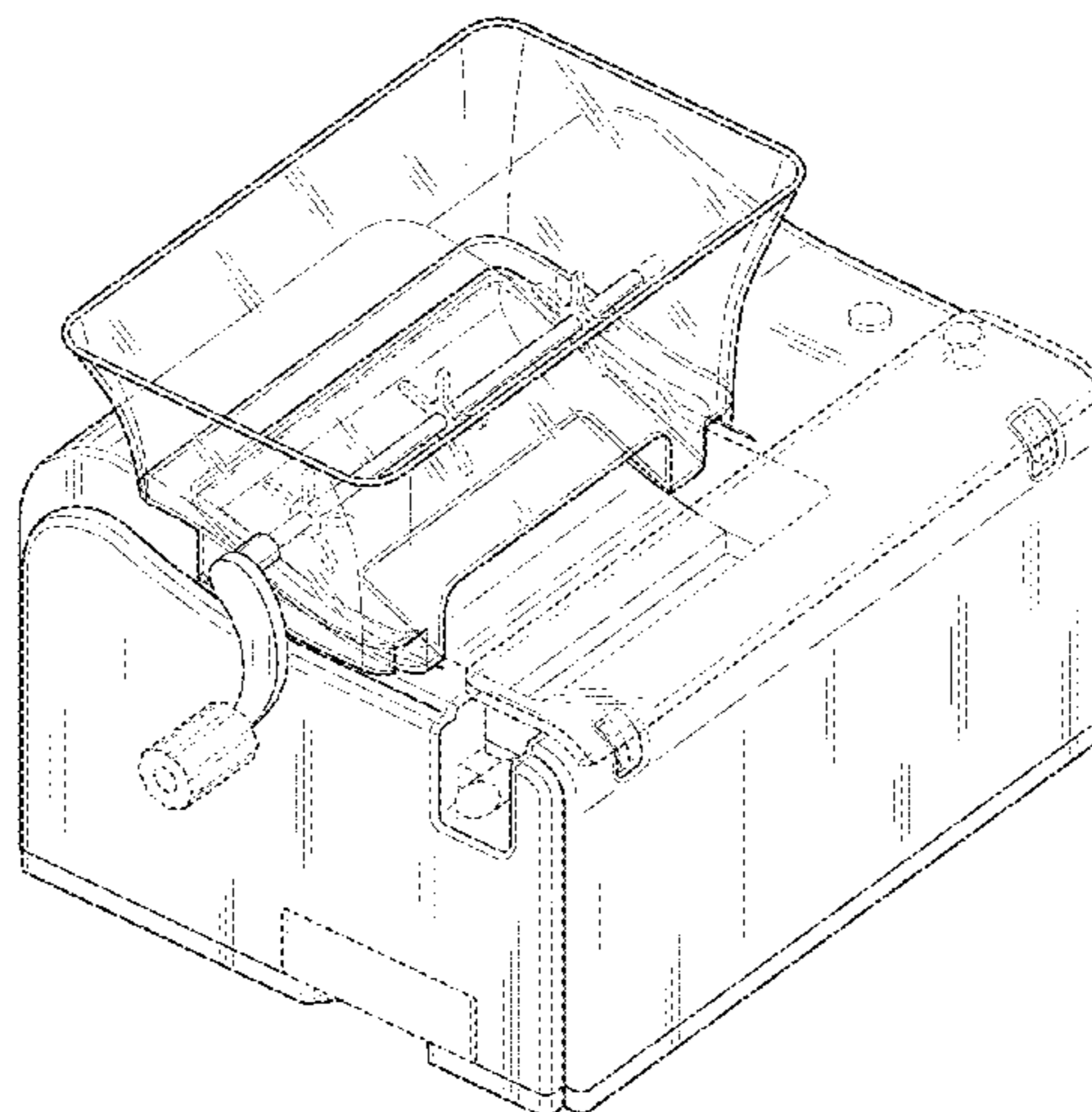
D16,332 S *	10/1885	Knott	.....	D7/679
1,892,143 A *	12/1932	Gordon	.....	131/75
2,633,133 A *	3/1953	Higgins	.....	131/74
3,804,343 A *	4/1974	Moffitt	.....	241/37.5
D260,351 S *	8/1981	Shun	.....	D7/372
D659,901 S *	5/2012	Lin	.....	D27/194
D665,126 S *	8/2012	Lin	.....	D27/194
8,261,752 B2 *	9/2012	Bao	.....	131/70
2007/0235045 A1 *	10/2007	Lin	.....	131/27.1
2007/0295343 A1 *	12/2007	Susanto et al.	.....	131/58
2012/0291790 A1 *	11/2012	Bao	.....	131/70
2013/0047996 A1 *	2/2013	Ryszard et al.	.....	131/70
2013/0152952 A1 *	6/2013	Bao	.....	131/70

\* cited by examiner

*Primary Examiner* — Susan Bennett Hattan

*Assistant Examiner* — Janice Hallmark

**1 Claim, 8 Drawing Sheets**



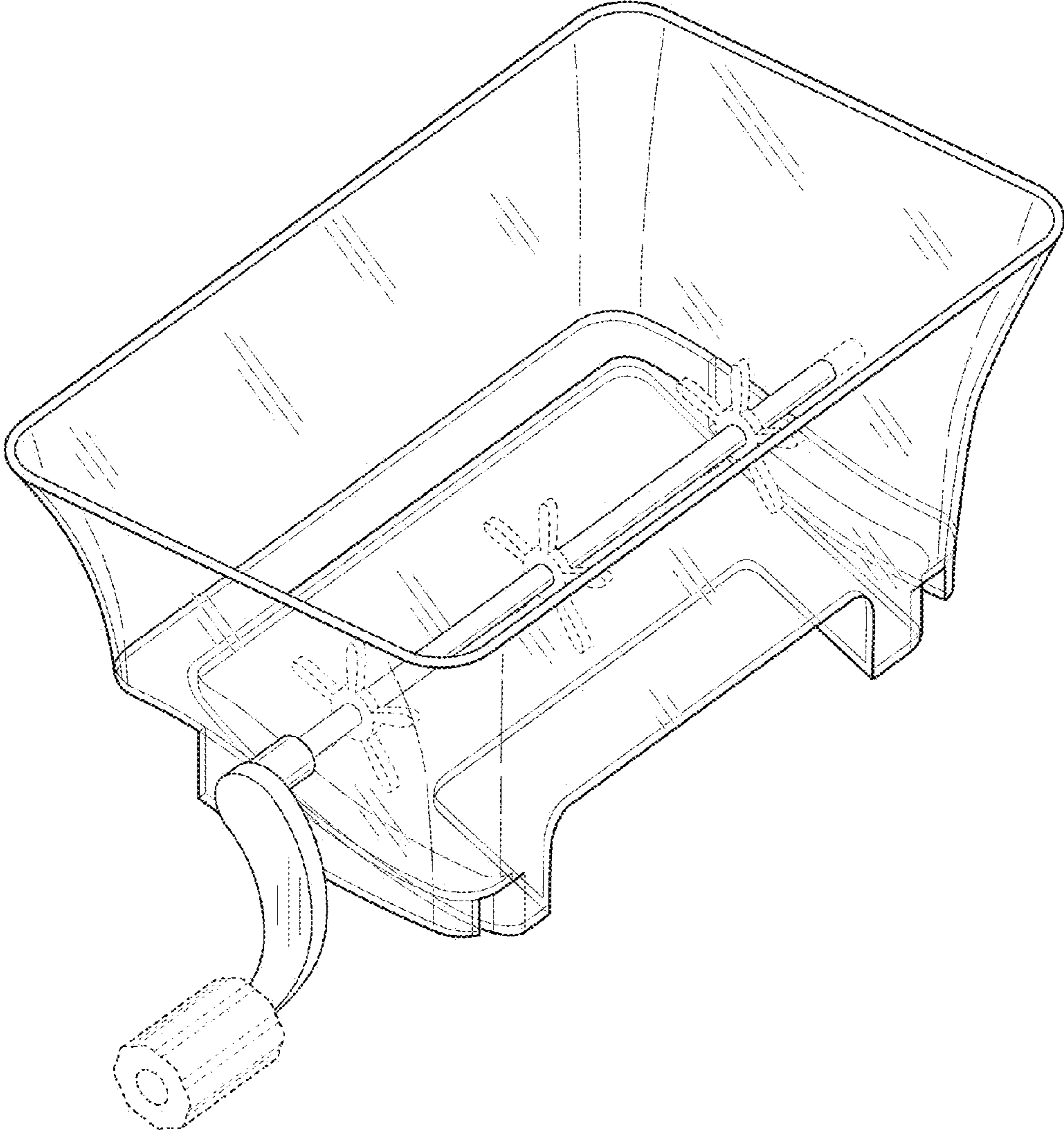


FIG. 1

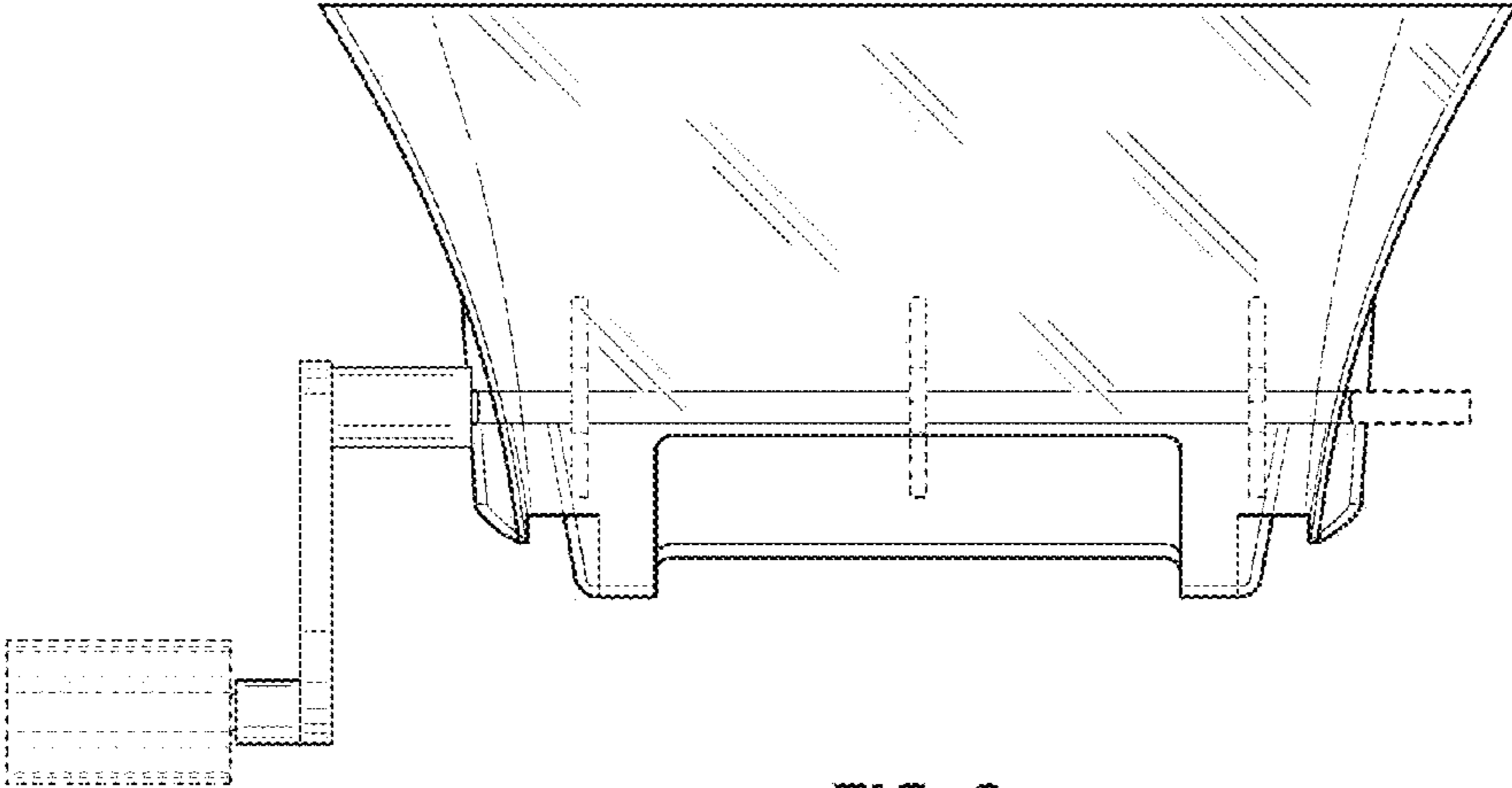


FIG. 2

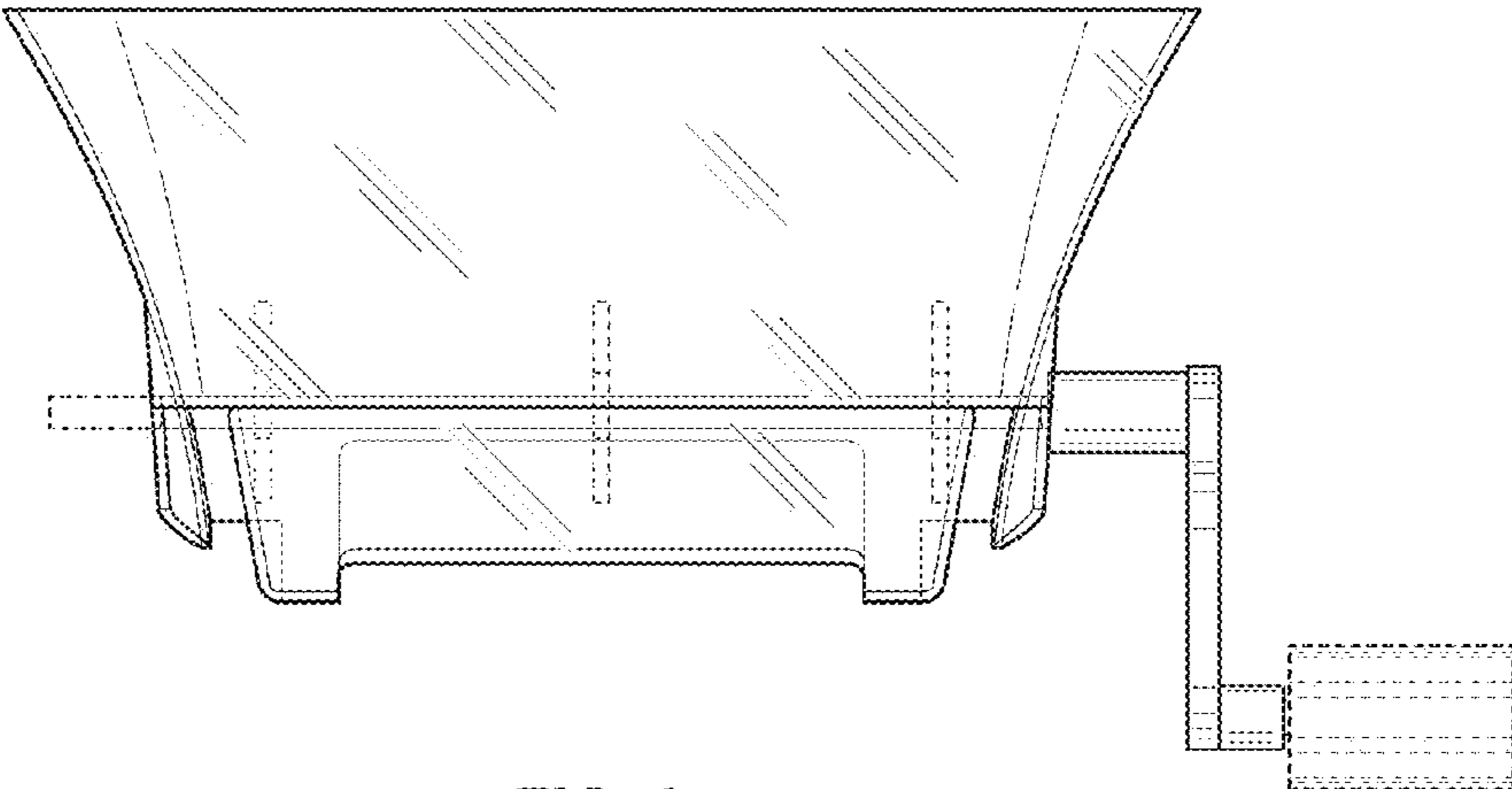


FIG. 3

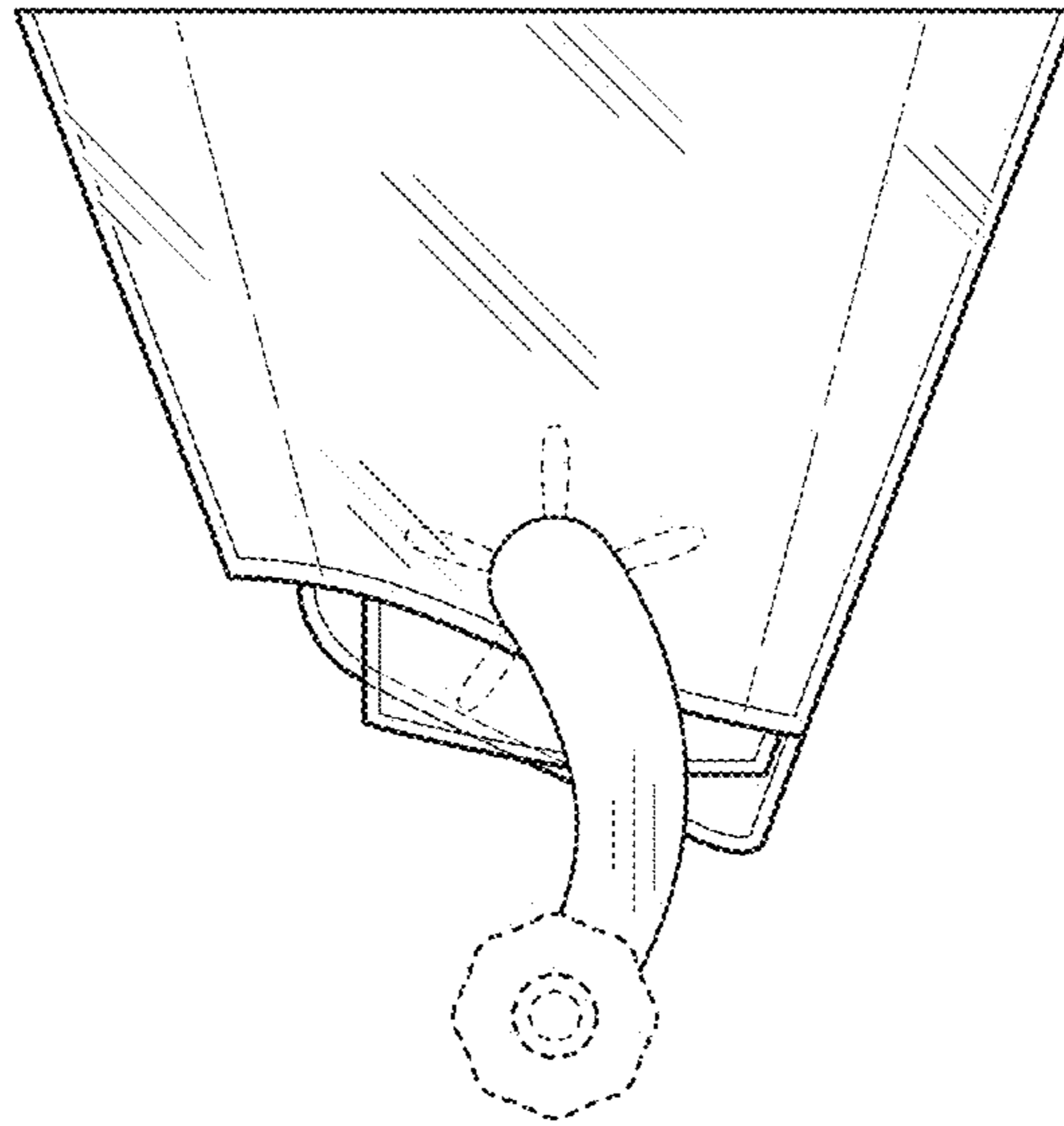


FIG. 4

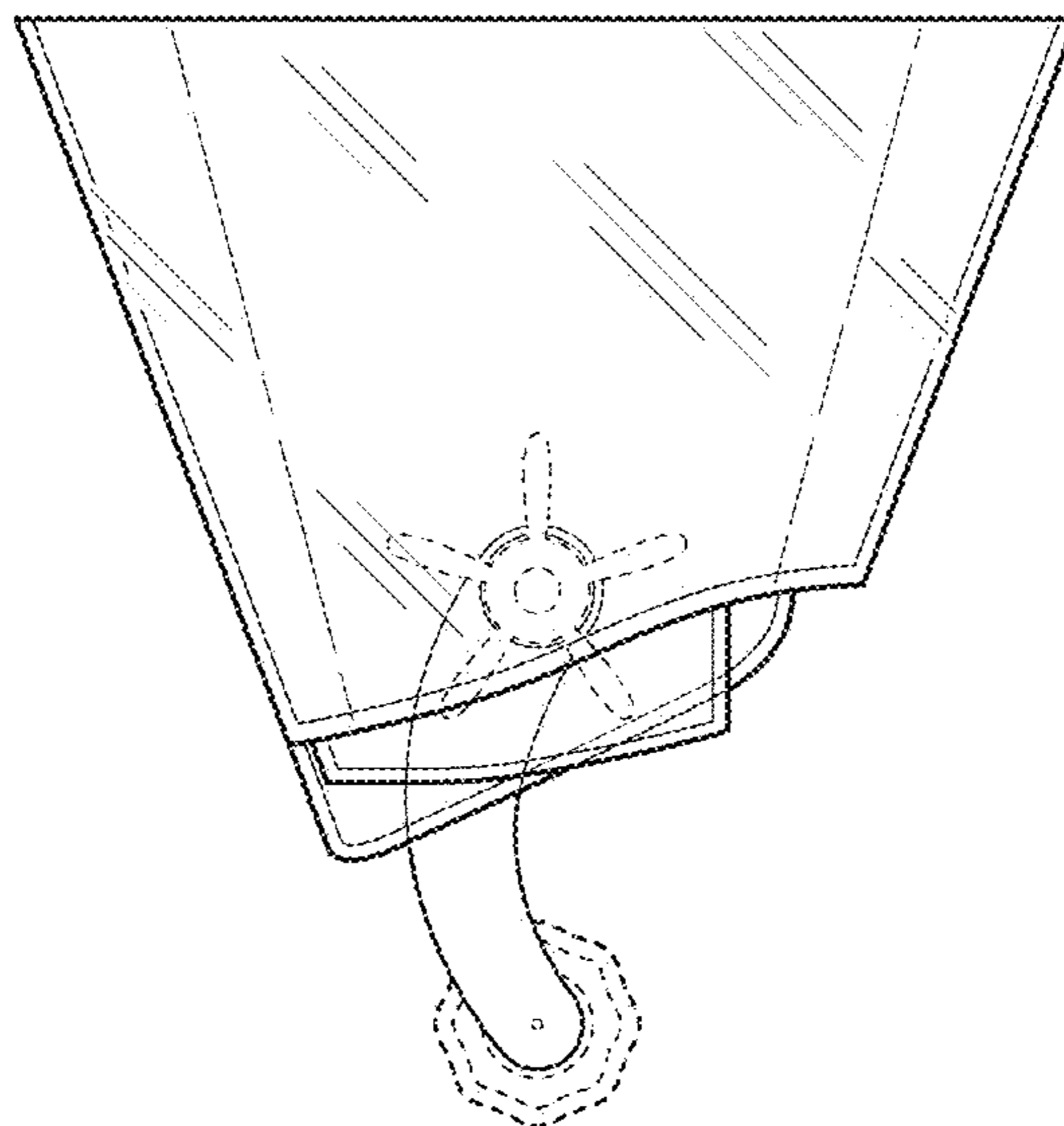


FIG. 5



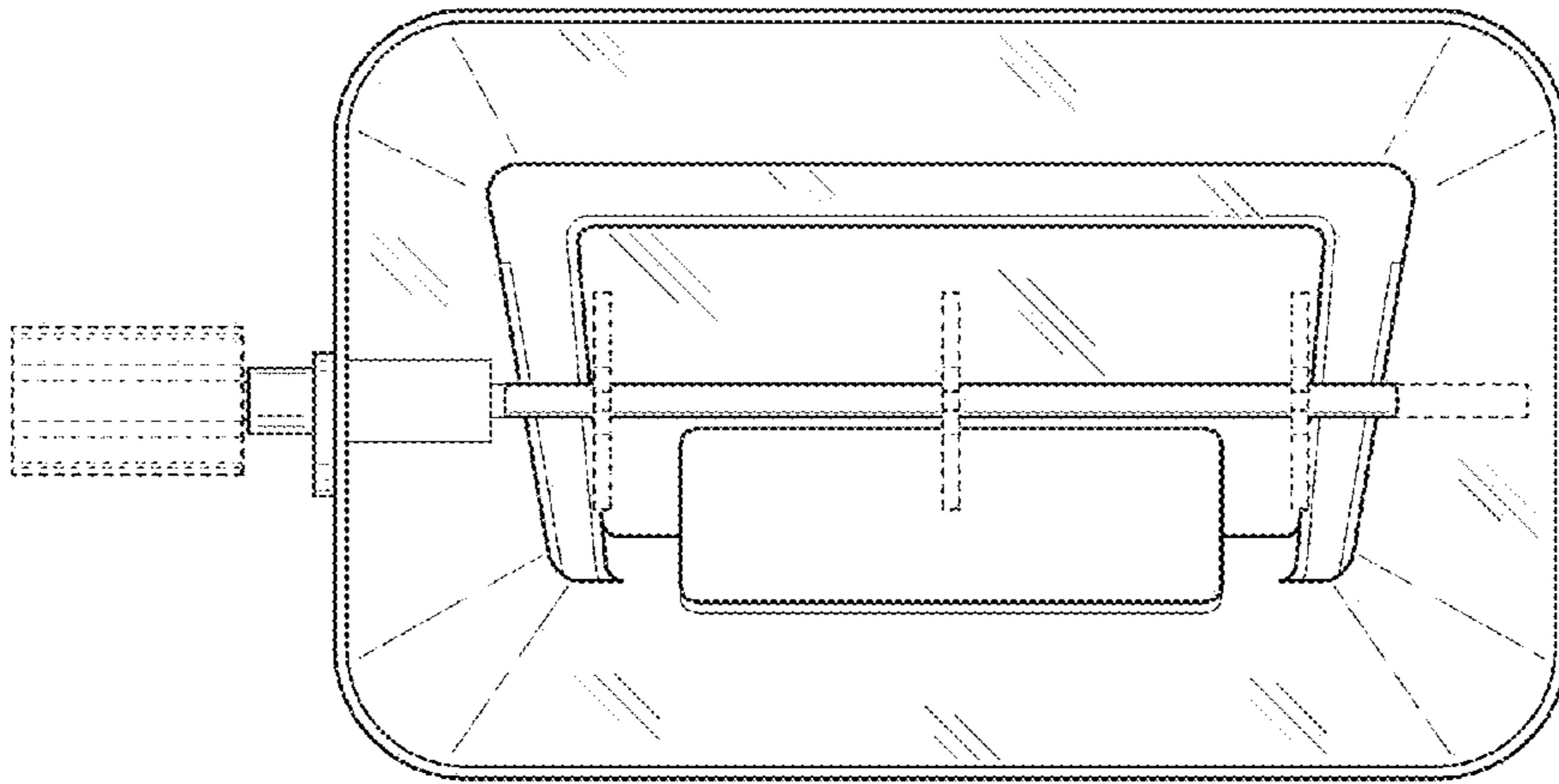


FIG. 6

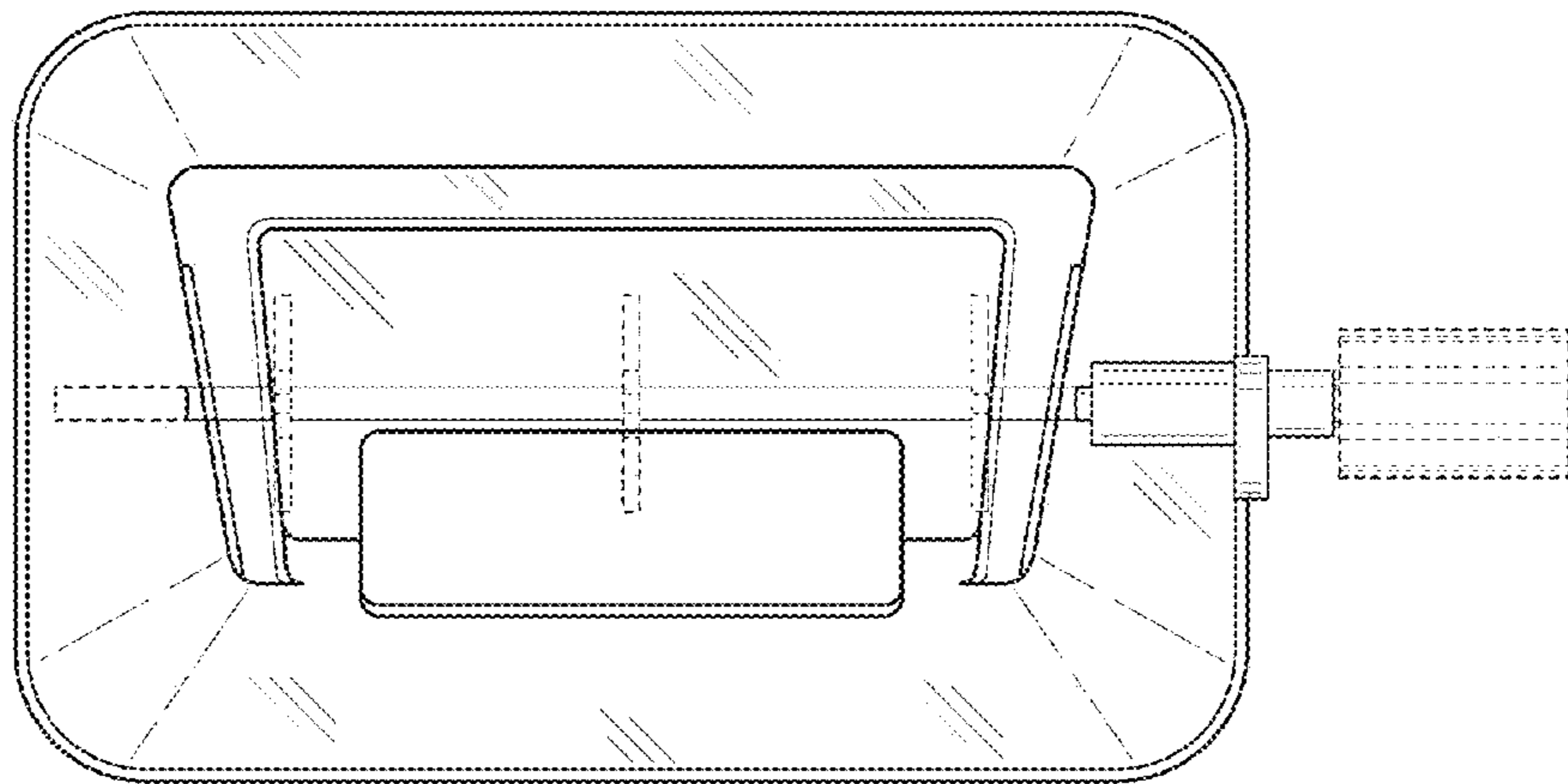


FIG. 7

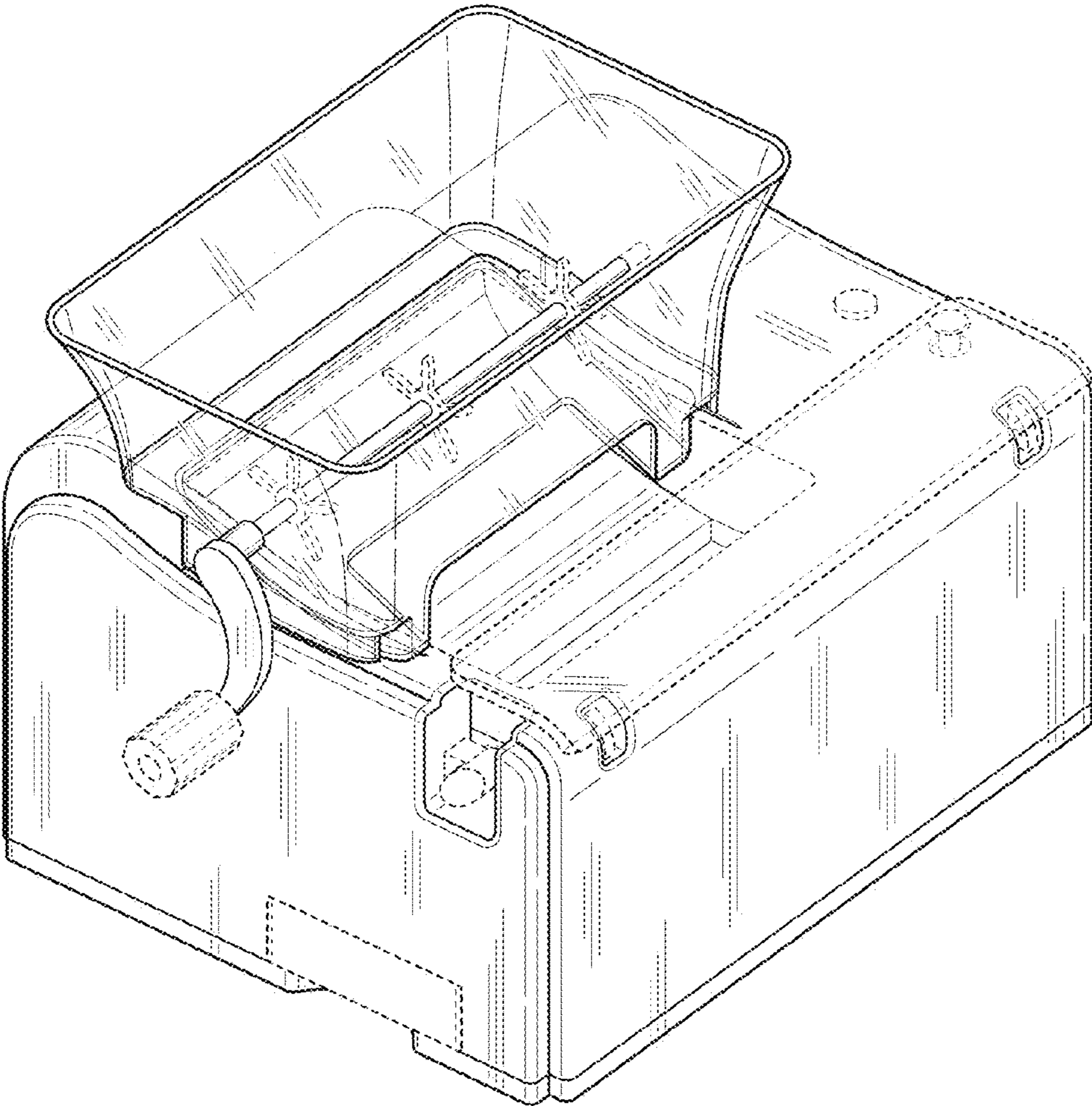


FIG. 8

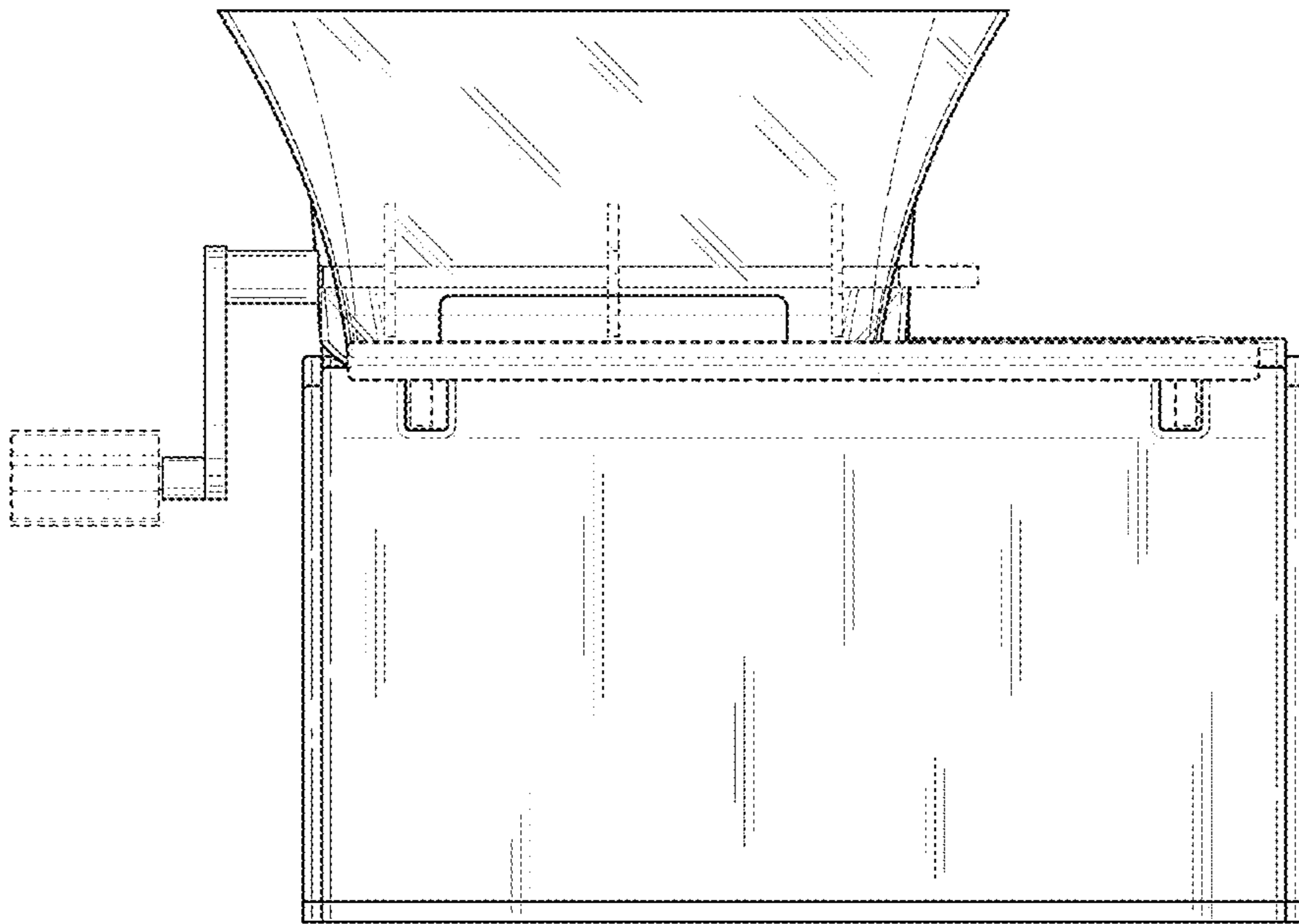


FIG. 9

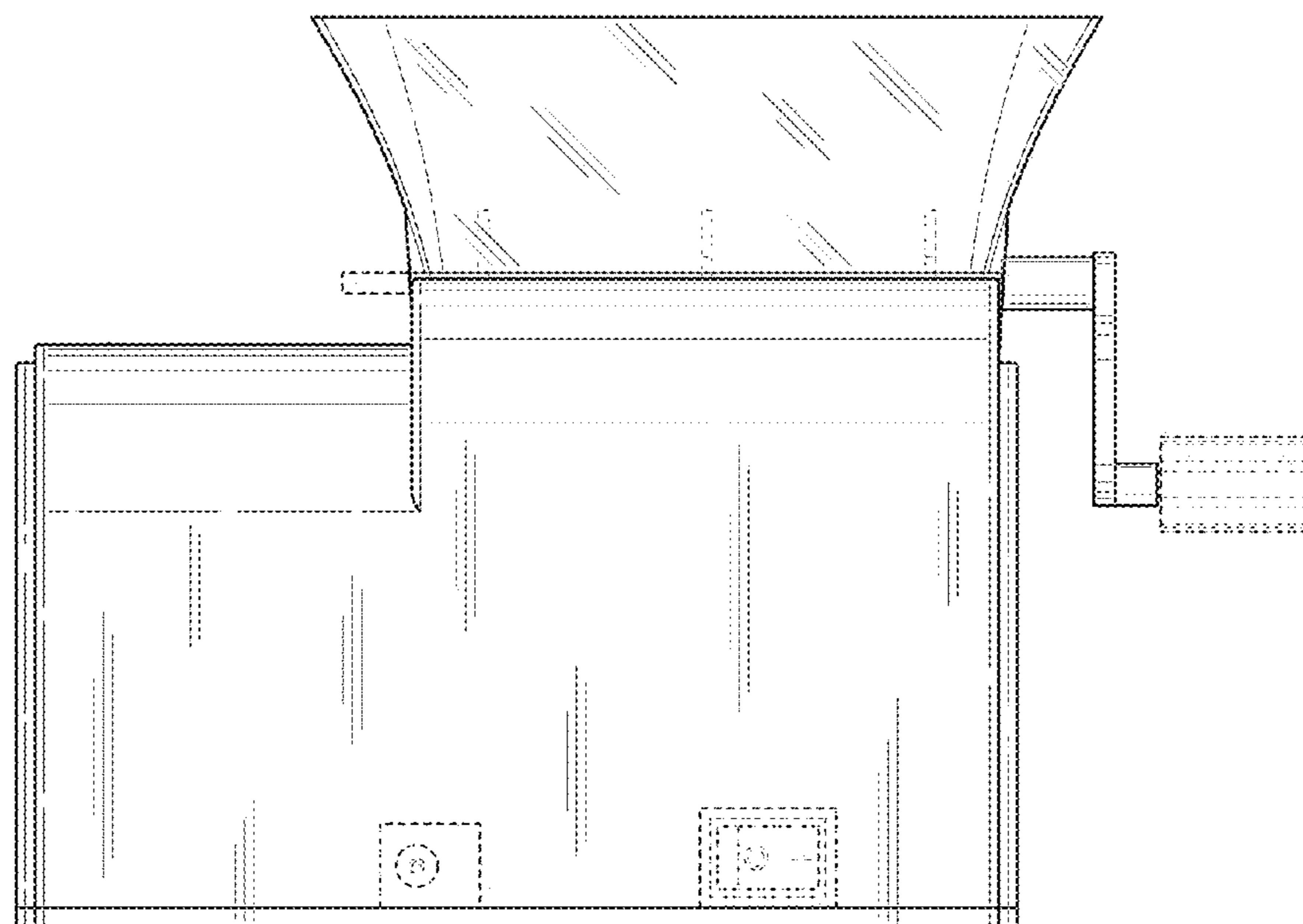


FIG. 10

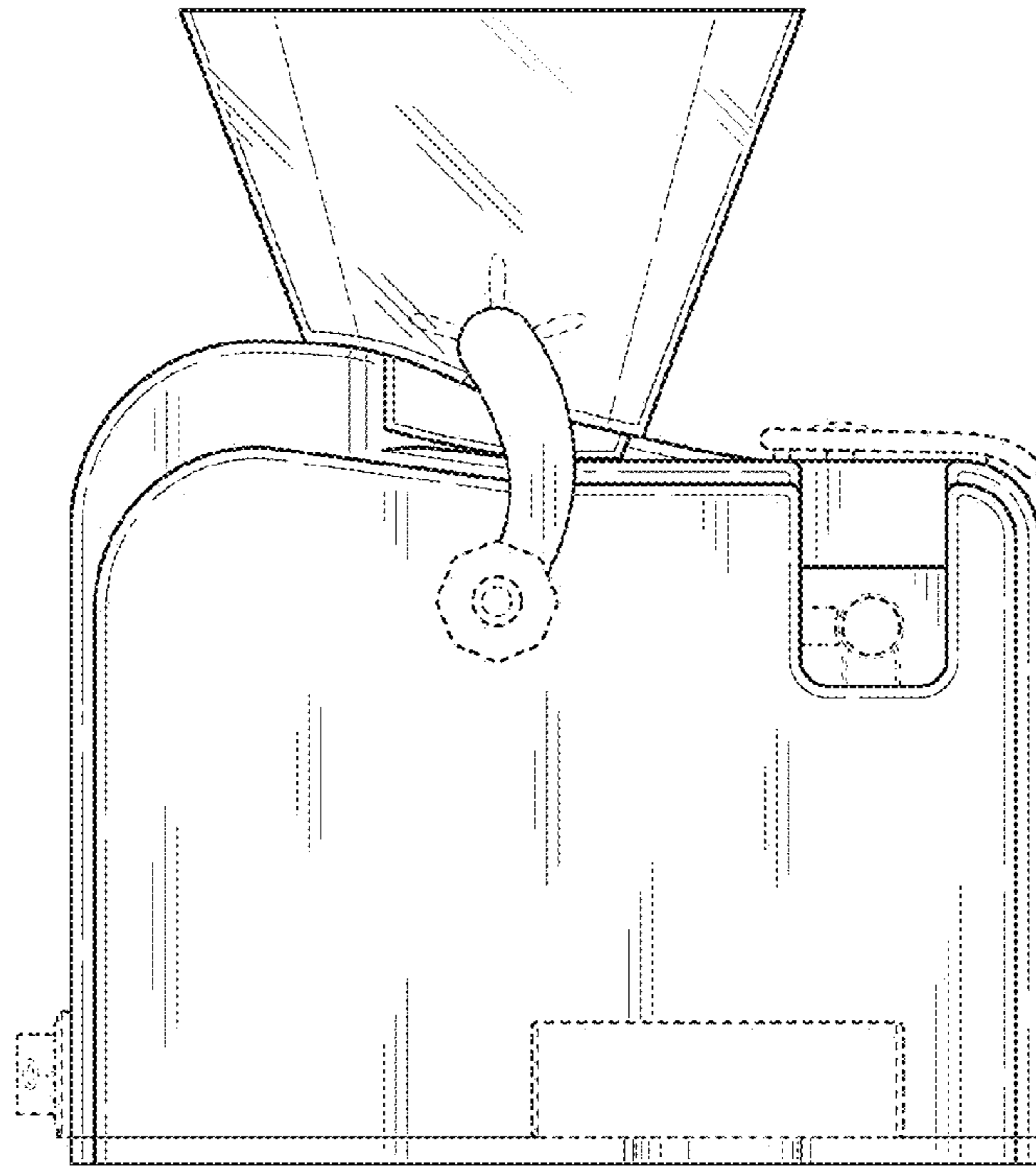


FIG. 11

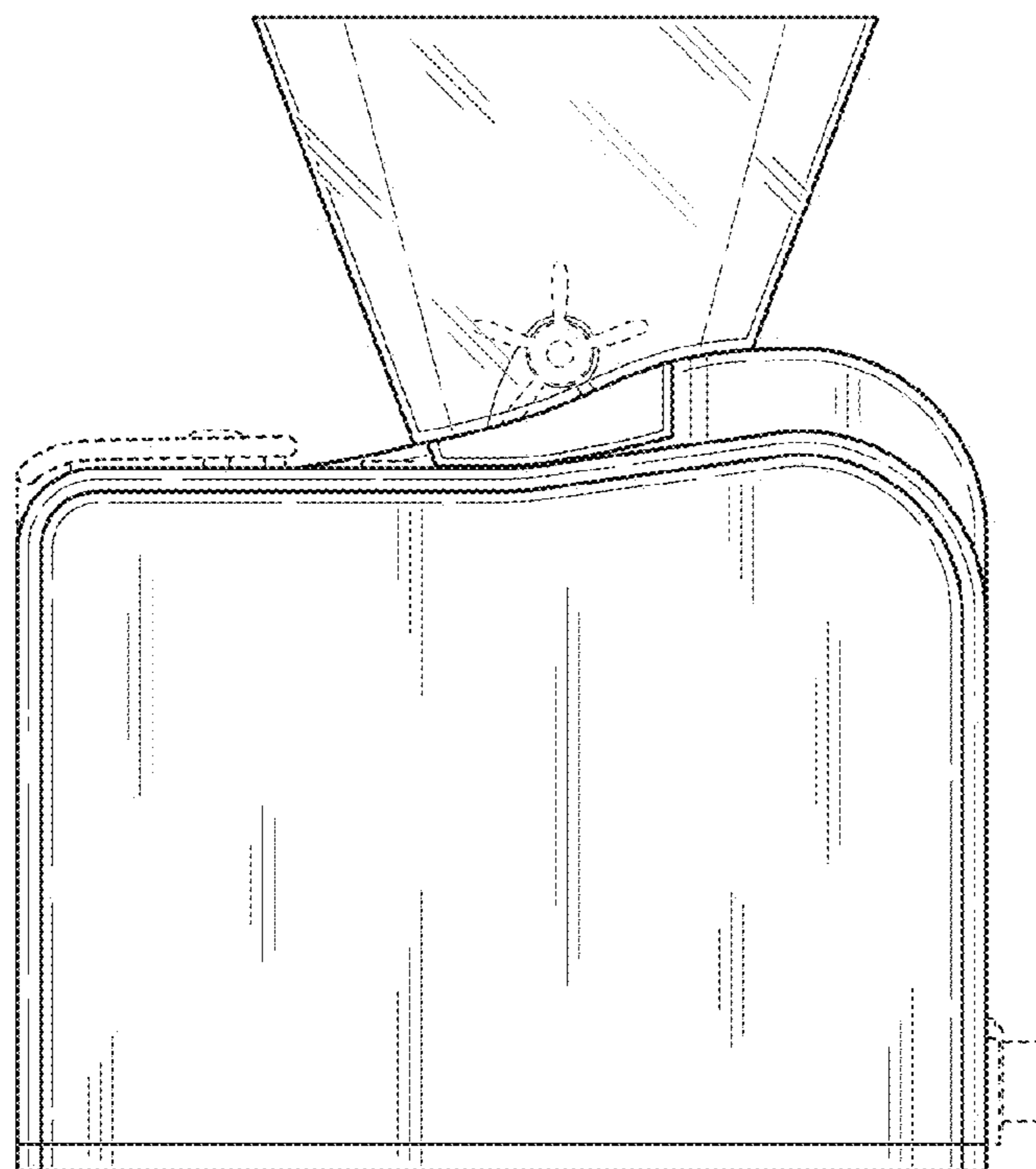


FIG. 12



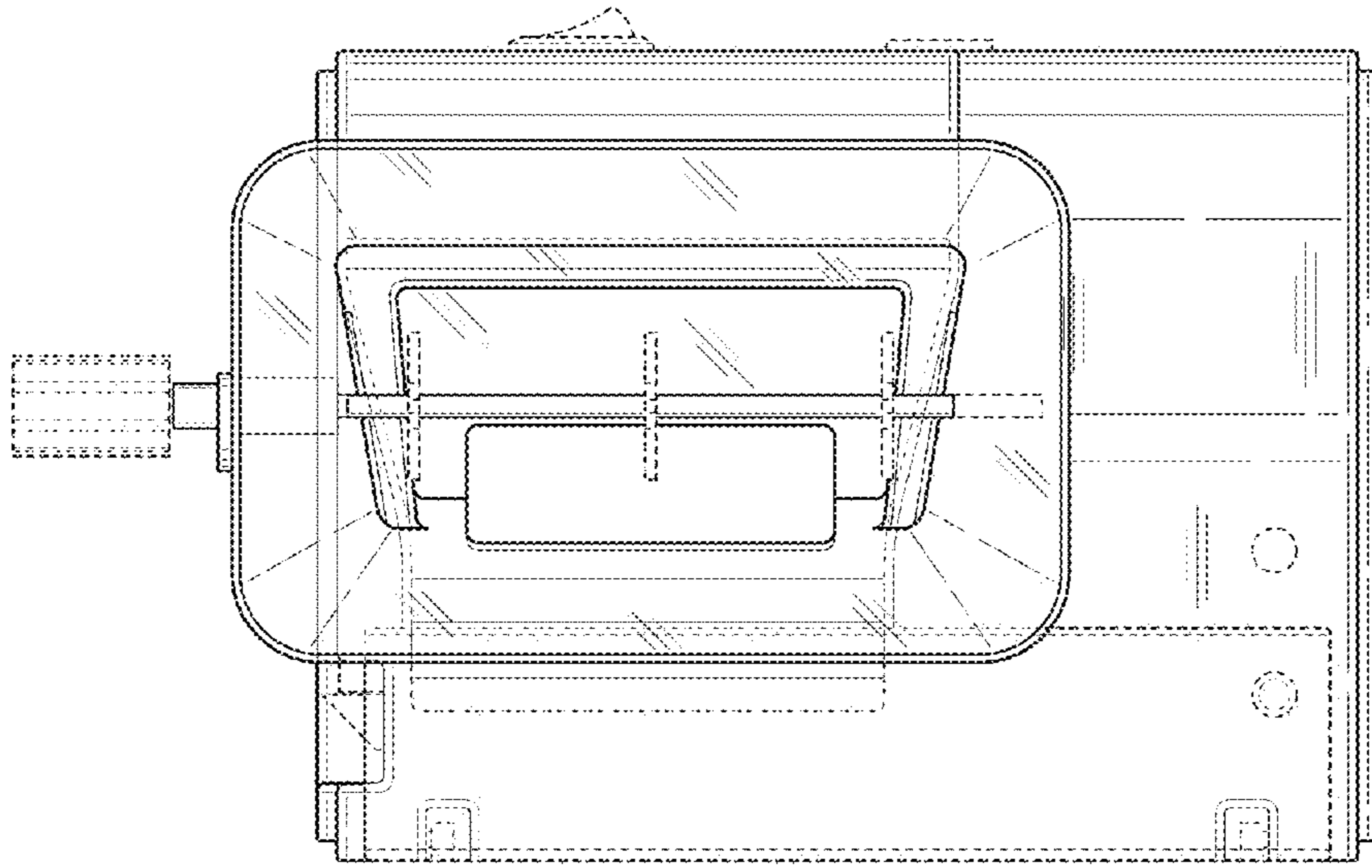


FIG. 13

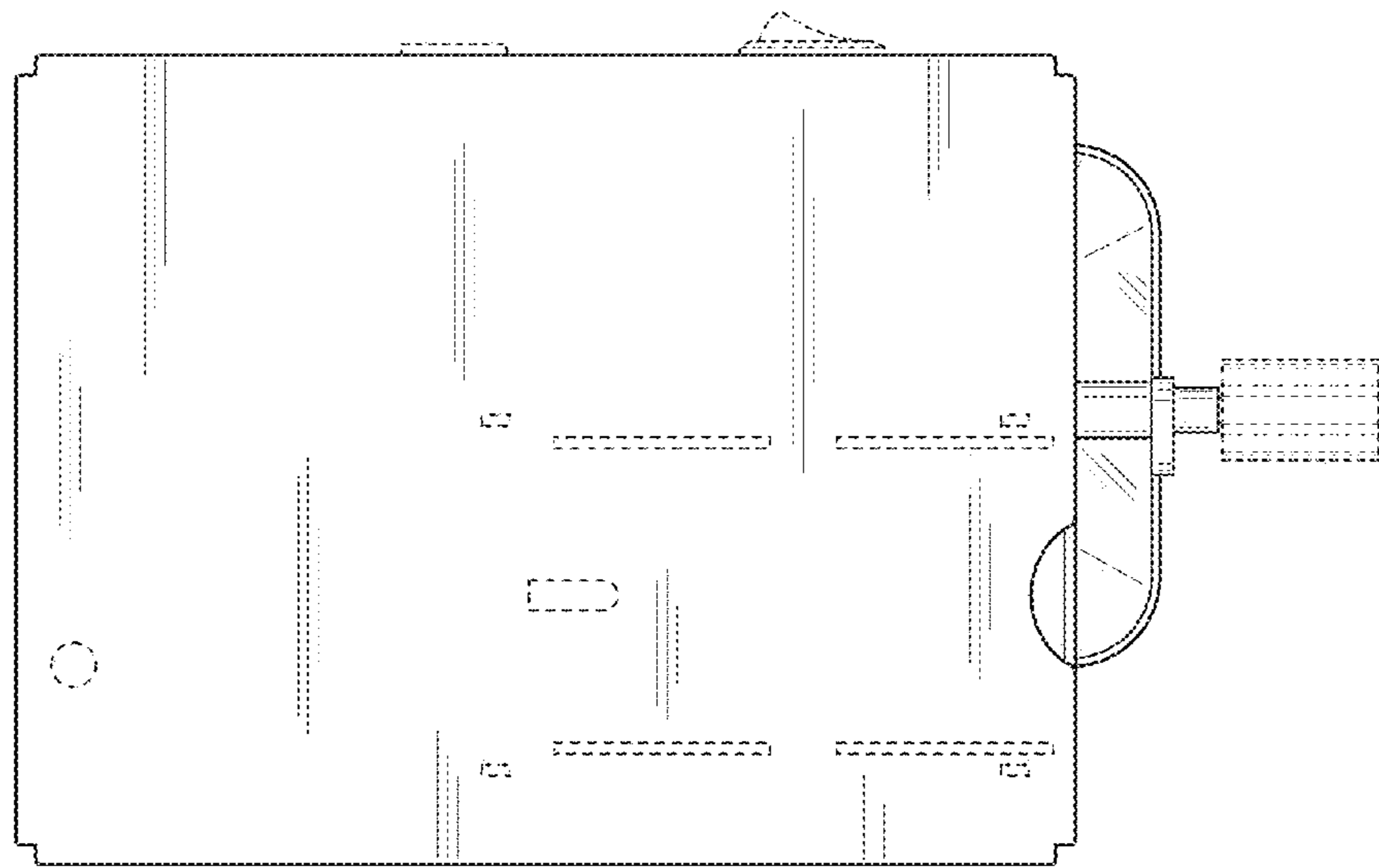


FIG. 14