



US00D691767S

(12) **United States Design Patent**  
**Mills**

(10) **Patent No.:** **US D691,767 S**

(45) **Date of Patent:** **\*\* Oct. 15, 2013**

(54) **SMOKELESS TOBACCO CARRIER WITH SPITTOON**

(76) Inventor: **Timothy M. Mills**, Weaverville, NC (US)

(\*\*) Term: **14 Years**

(21) Appl. No.: **29/424,347**

(22) Filed: **Jun. 11, 2012**

**Related U.S. Application Data**

(62) Division of application No. 11/888,130, filed on Jul. 31, 2007, now abandoned.

(51) **LOC (9) Cl.** ..... **27-06**

(52) **U.S. Cl.**  
USPC ..... **D27/187**

(58) **Field of Classification Search**  
USPC ..... D27/103–105, 108, 125, 172, 174–176, D27/183, 186–192, 194; D34/2; 206/242–276; D3/226–230; 4/258, 4/259, 267, 271, 283  
See application file for complete search history.

(56) **References Cited**

**U.S. PATENT DOCUMENTS**

- 4,162,547 A 7/1979 Jenkins
- 4,628,547 A \* 12/1986 Baker ..... 4/259
- 4,885,809 A 12/1989 Muchmore
- D313,098 S 12/1990 Boyd
- D398,119 S 9/1998 Corbin et al.

- 5,832,543 A 11/1998 Bosserman
- D443,980 S \* 6/2001 Stewart ..... D3/202
- 6,266,829 B1 7/2001 Schmidt
- D464,473 S 10/2002 Nguyen
- 6,507,957 B1 \* 1/2003 Ingram ..... 4/259
- 6,665,887 B2 12/2003 Nguyen
- D569,097 S \* 5/2008 Leslie et al. .... D3/202
- D681,326 S \* 5/2013 Willows et al. .... D3/229

\* cited by examiner

*Primary Examiner* — Susan Bennett Hattan

*Assistant Examiner* — Janice Hallmark

(74) *Attorney, Agent, or Firm* — Montgomery Patent & Design; Robert C. Montgomery

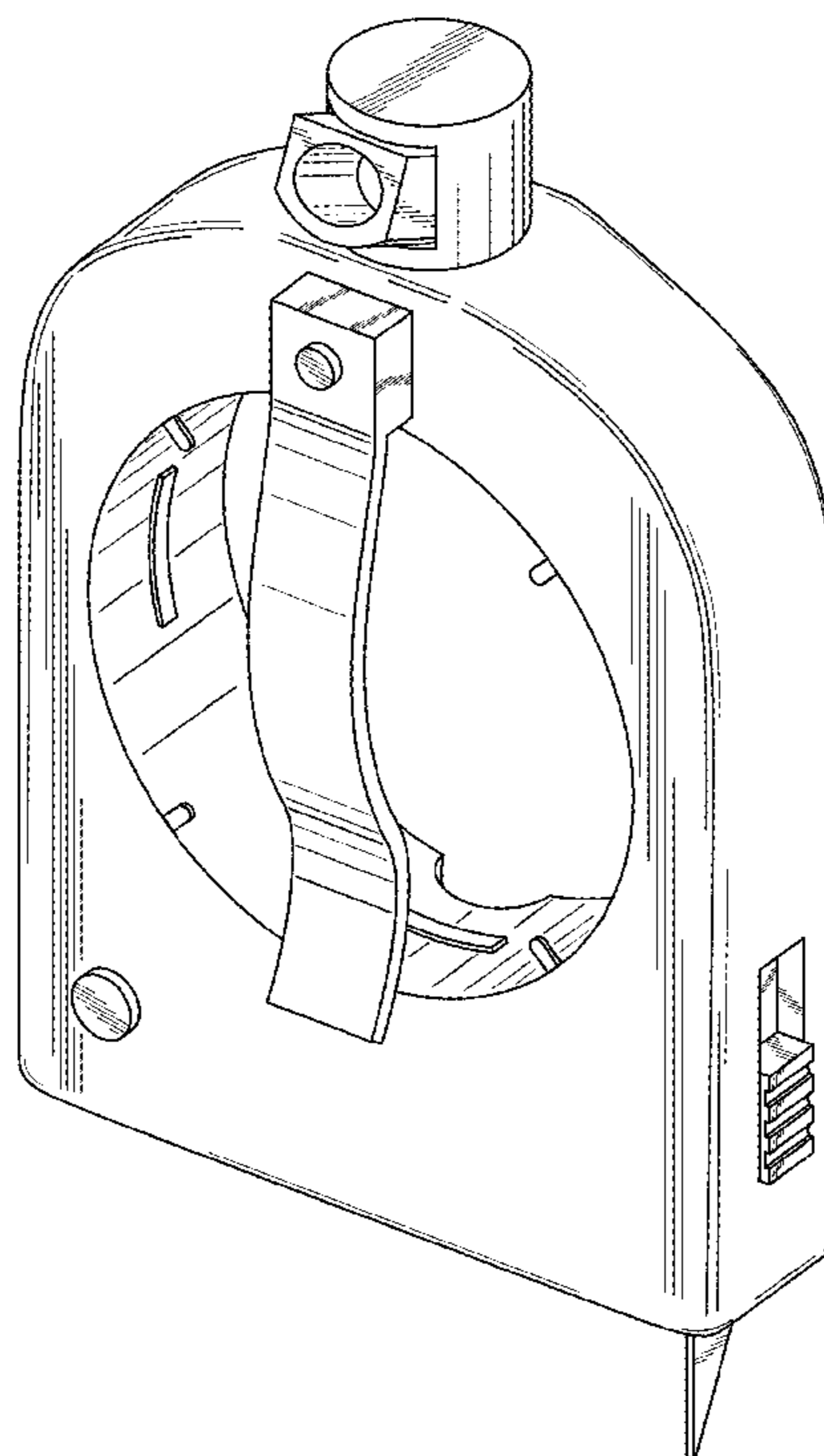
(57) **CLAIM**

The ornamental design for a smokeless tobacco carrier with spittoon, as shown and described.

**DESCRIPTION**

FIG. 1 is a perspective front view of a smokeless tobacco carrier with spittoon, showing my new design;  
 FIG. 2 is a perspective rear view thereof;  
 FIG. 3 is a front view thereof;  
 FIG. 4 is a rear view thereof;  
 FIG. 5 is a left side view thereof;  
 FIG. 6 is a right side view thereof;  
 FIG. 7 is a top view thereof;  
 FIG. 8 is a bottom view thereof; and,  
 FIG. 9 is a perspective rear view of the smokeless tobacco carrier with spittoon shown with a spittoon cap member in an open position and a cutting blade in a deployed position.

**1 Claim, 9 Drawing Sheets**



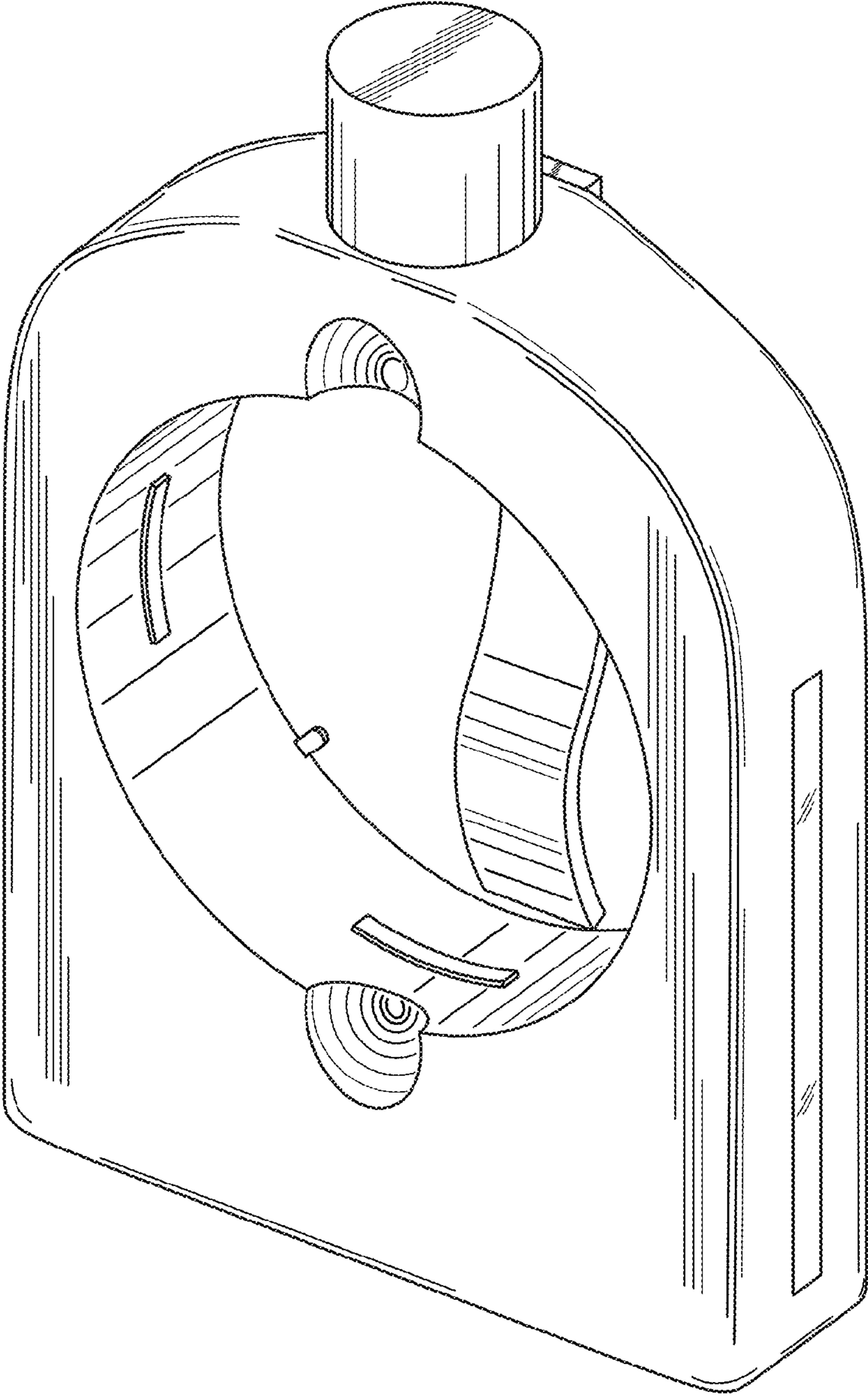


Fig. 1

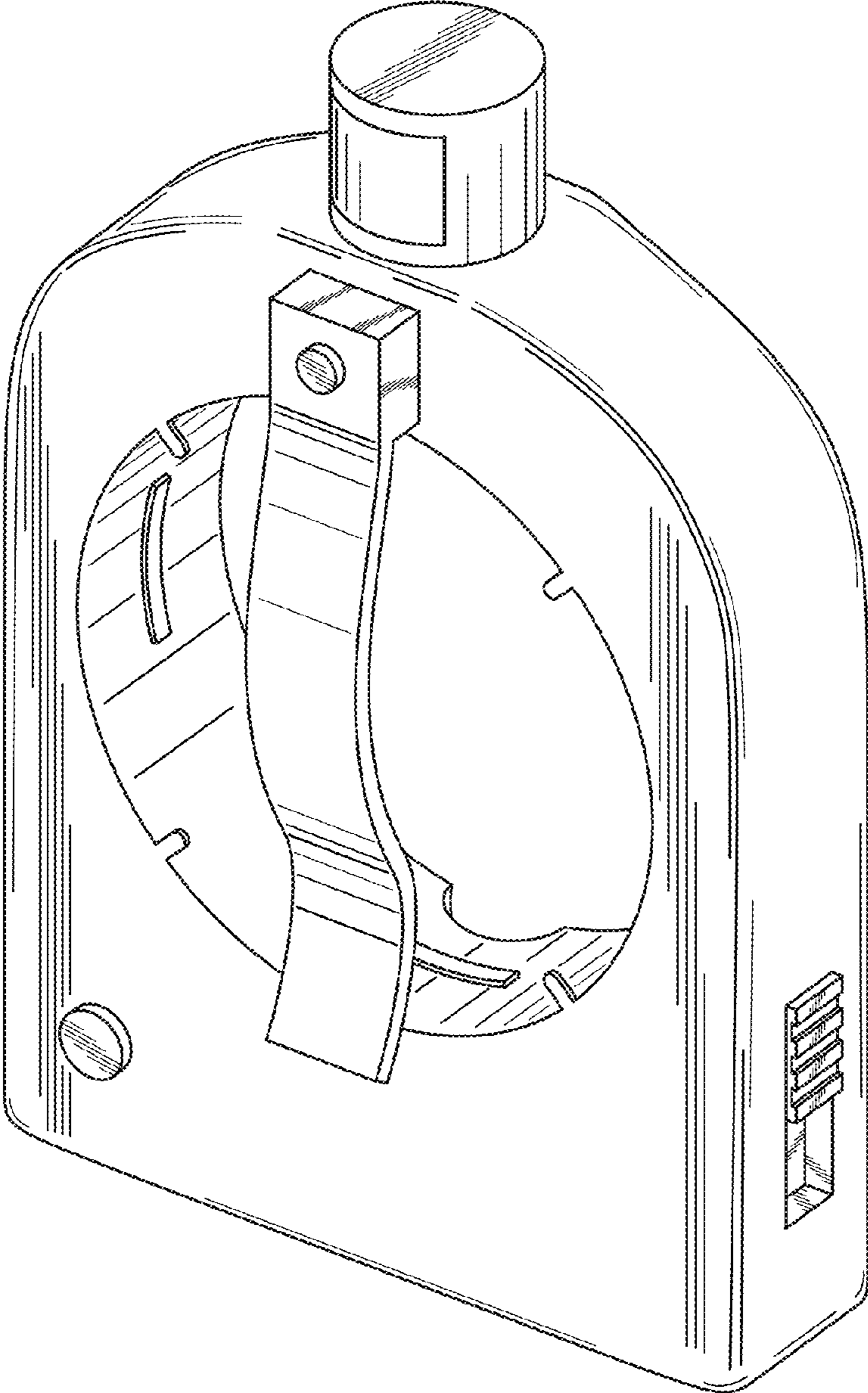


Fig. 2

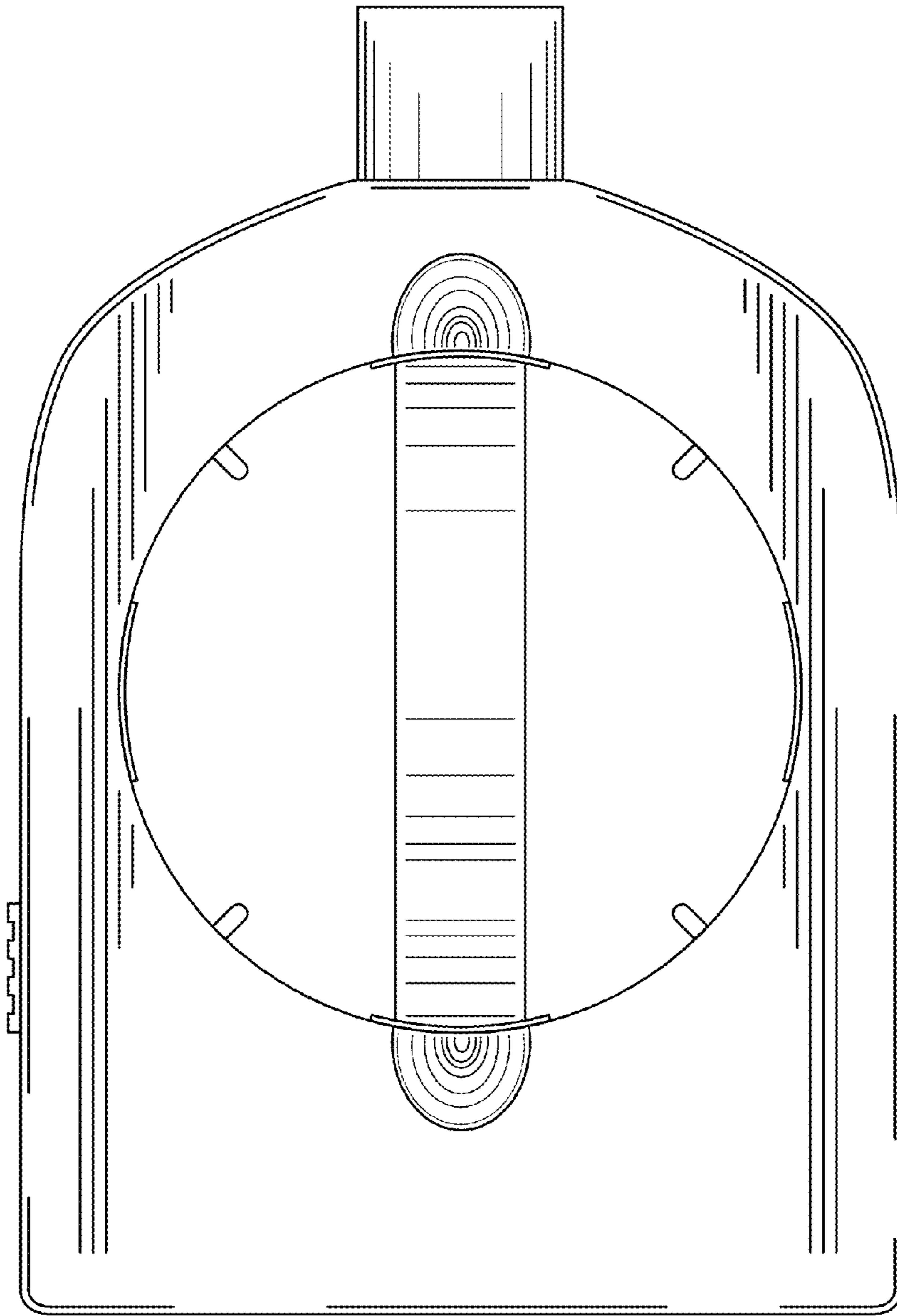


Fig. 3



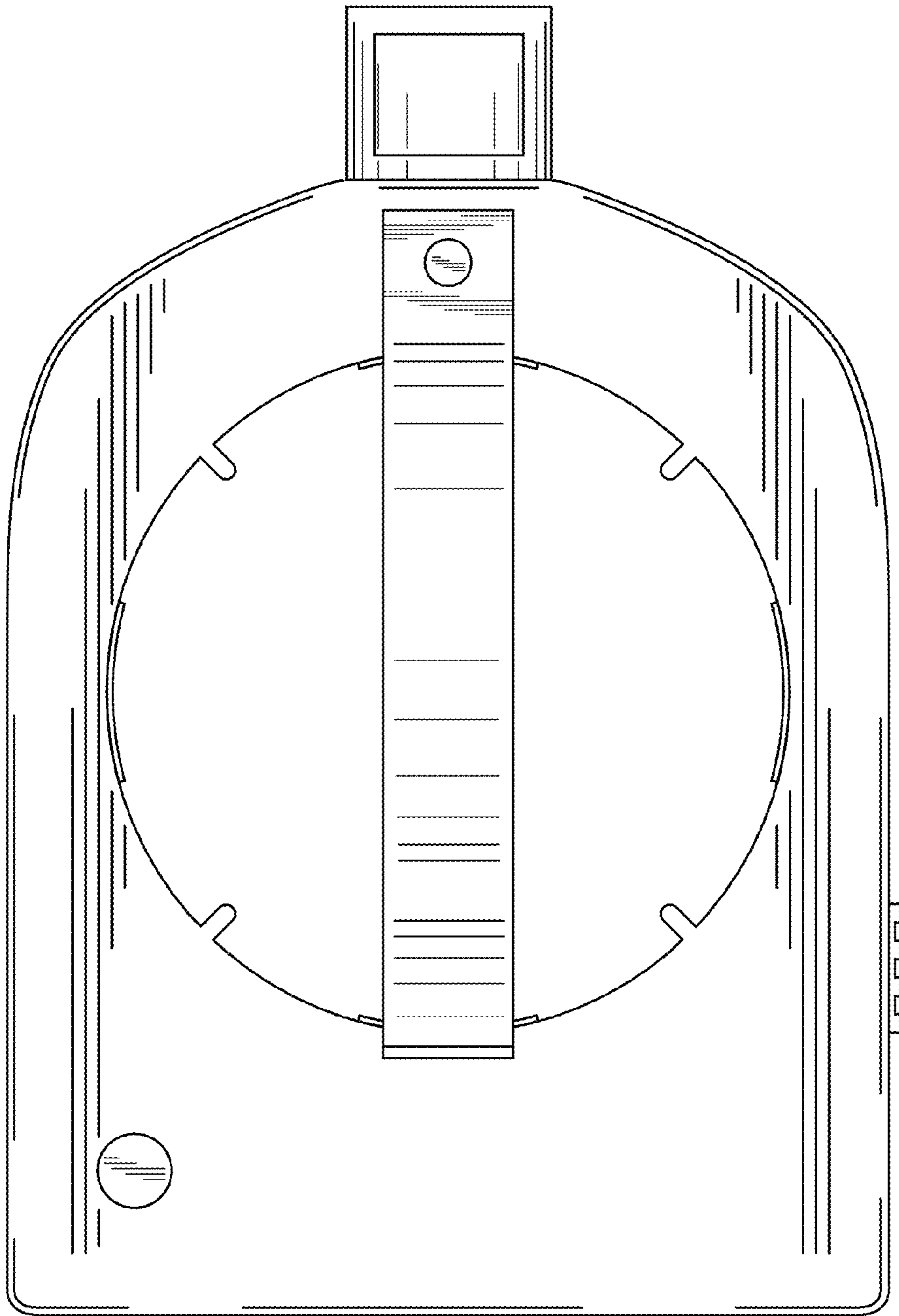


Fig. 4

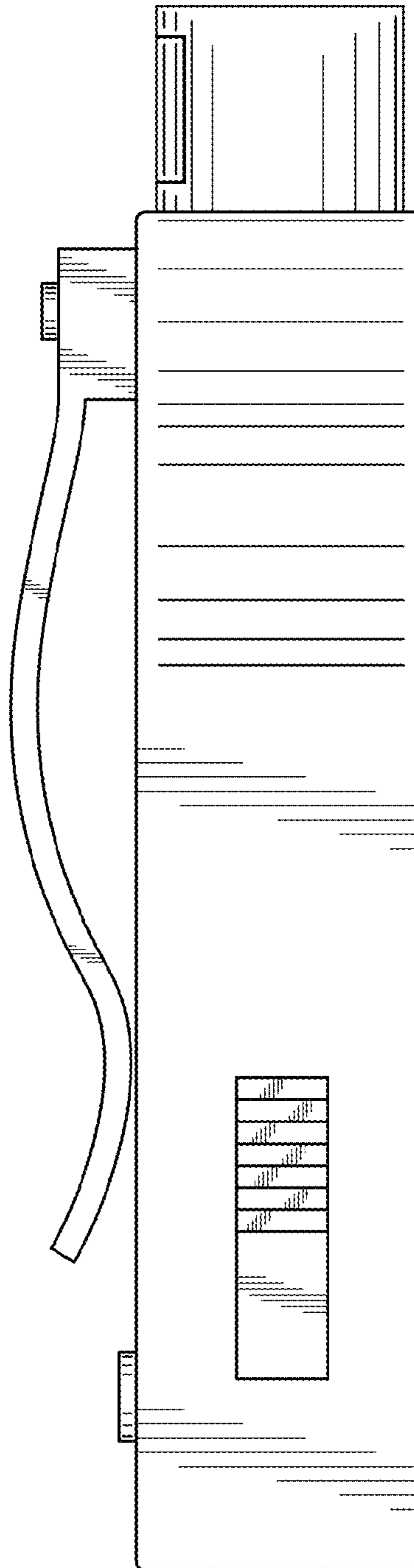


Fig. 5

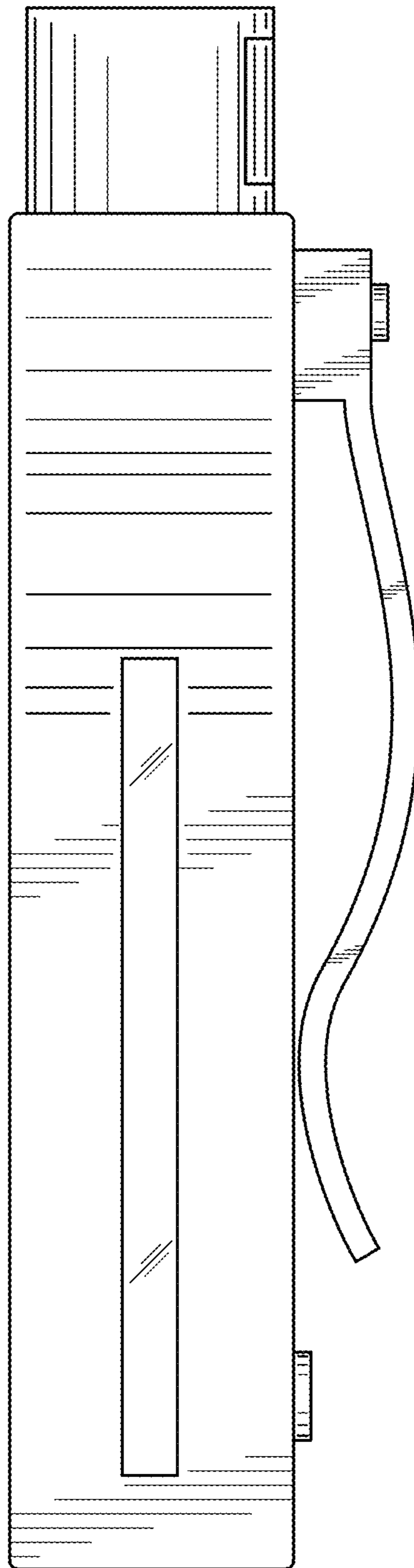


Fig. 6

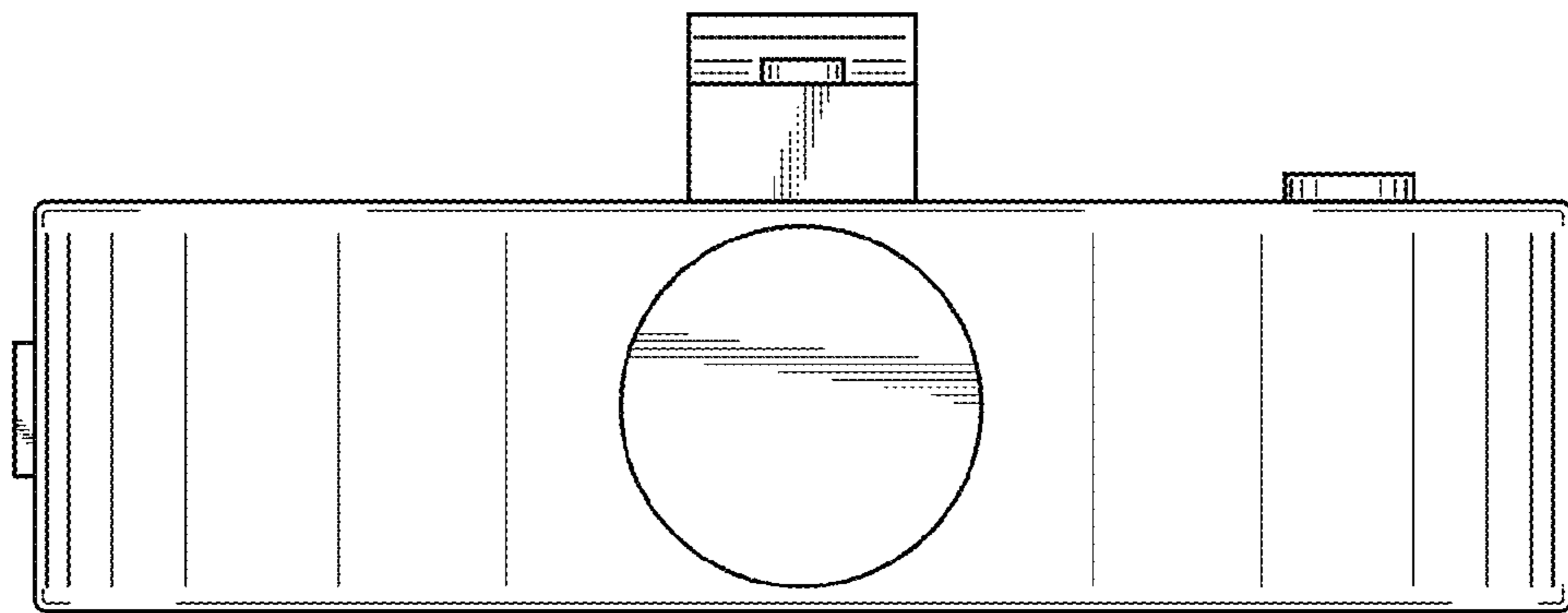


Fig. 7



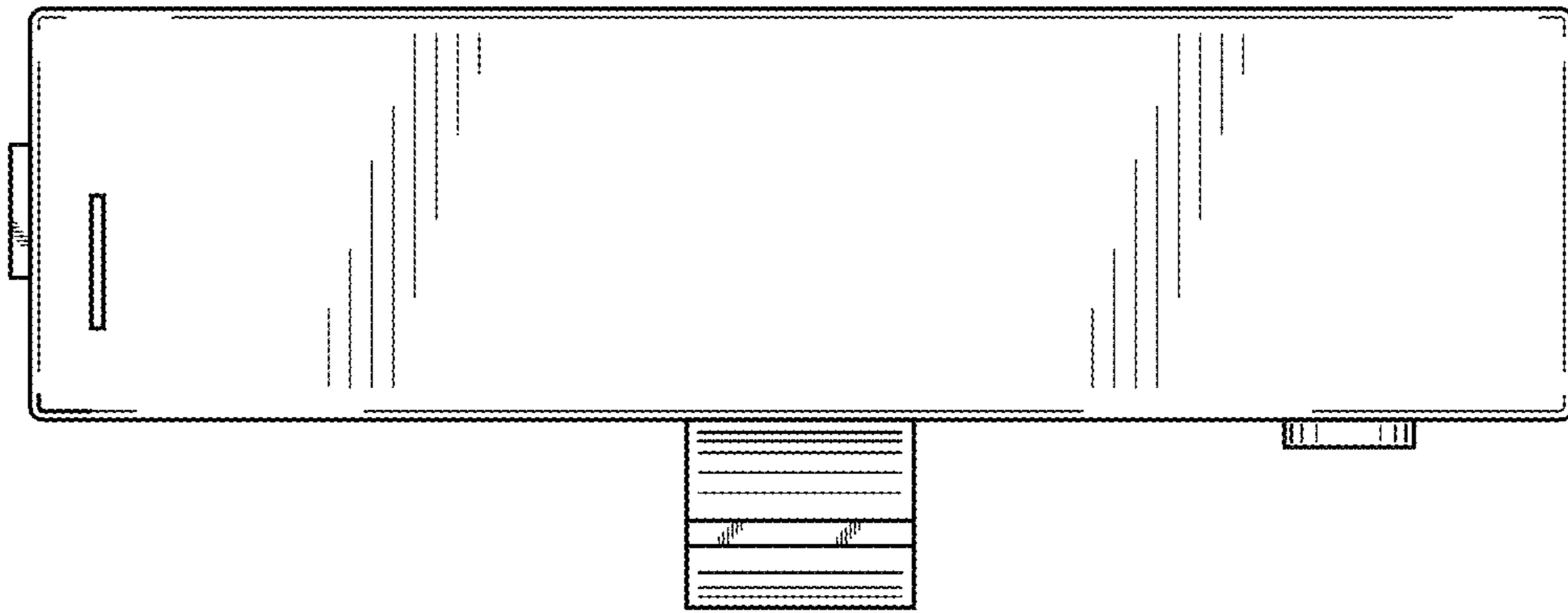


Fig. 8

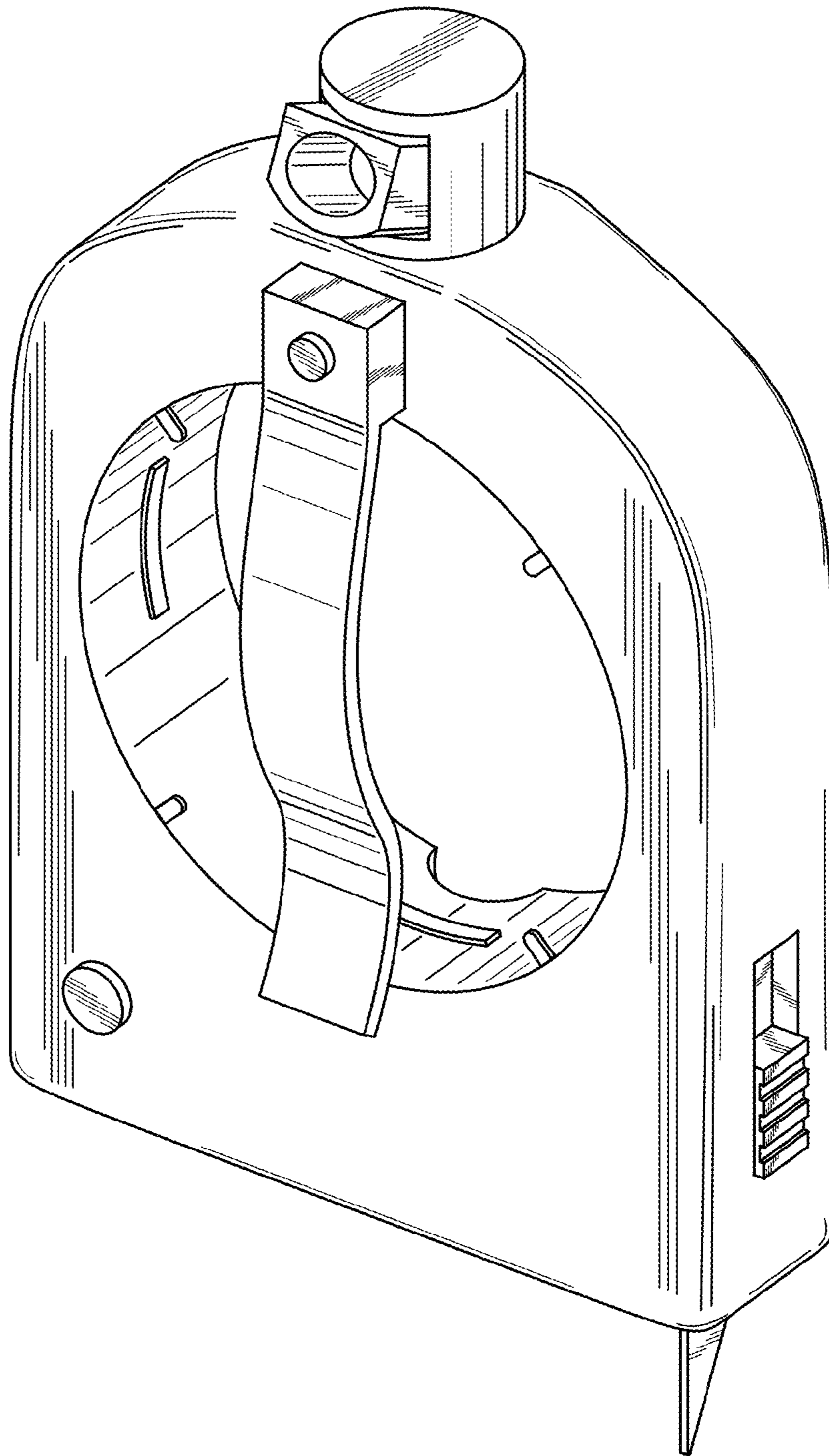


Fig. 9