



US00D691765S

(12) **United States Design Patent**
Tucker et al.

(10) **Patent No.:** **US D691,765 S**
(45) **Date of Patent:** **** Oct. 15, 2013**

(54) **ELECTRONIC SMOKING ARTICLE**
(71) Applicant: **Altria Client Services Inc.**, Richmond, VA (US)
(72) Inventors: **Christopher S. Tucker**, Midlothian, VA (US); **Geoffrey Brandon Jordan**, Midlothian, VA (US); **Barry S. Smith**, Hopewell, VA (US); **Ali A. Rostami**, Glen Allen, VA (US)

2,057,353 A 10/1936 Whittemore, Jr.
2,104,266 A 1/1938 McCormick
2,406,275 A 8/1946 Wejnarth
2,442,004 A 5/1948 Hayward-Butt
2,558,127 A 6/1951 Downs
2,836,183 A * 5/1958 Fay et al. 131/270
2,907,686 A 10/1959 Siegel
2,971,039 A 2/1961 Western
2,972,557 A 2/1961 Toulmin, Jr.

(Continued)

FOREIGN PATENT DOCUMENTS

(73) Assignee: **Altria Client Services Inc.**, Richmond, VA (US)

BE 421623 6/1937
CN 87104459 2/1988

(Continued)

(**) Term: **14 Years**

OTHER PUBLICATIONS

(21) Appl. No.: **29/443,134**

International Search Report and Written Opinion for PCT/US13/24211 dated Mar. 19, 2013.

(22) Filed: **Jan. 14, 2013**

(51) **LOC (9) Cl.** **27-01**

(Continued)

(52) **U.S. Cl.**

USPC **D27/101**

(58) **Field of Classification Search**

USPC D27/103-105, 108, 125, 172, 174-176, D27/183, 186-192, 194, 100, 101, 170, D27/163-165, 184, 185; D34/2; 206/242-276; D3/11, 215, 220, D3/226-230, 265, 266; 4/258, 259, 267, 4/271, 283; 131/270-273, 329, 330, 194, 131/189, 347, 360-365; D24/110, 113; D19/77, 81, 84; D28/73-77, 83, 85

See application file for complete search history.

Primary Examiner — Susan Bennett Hattan

Assistant Examiner — Janice Hallmark

(74) *Attorney, Agent, or Firm* — Buchanan Ingersoll & Rooney PC

(57) **CLAIM**

The ornamental design for an electronic smoking article, as shown and described.

DESCRIPTION

FIG. 1 is a perspective view of an electronic smoking article showing our new design.

FIG. 2 is side elevational view thereof, the other side being a mirror image; and,

FIG. 3 is an end elevational view thereof.

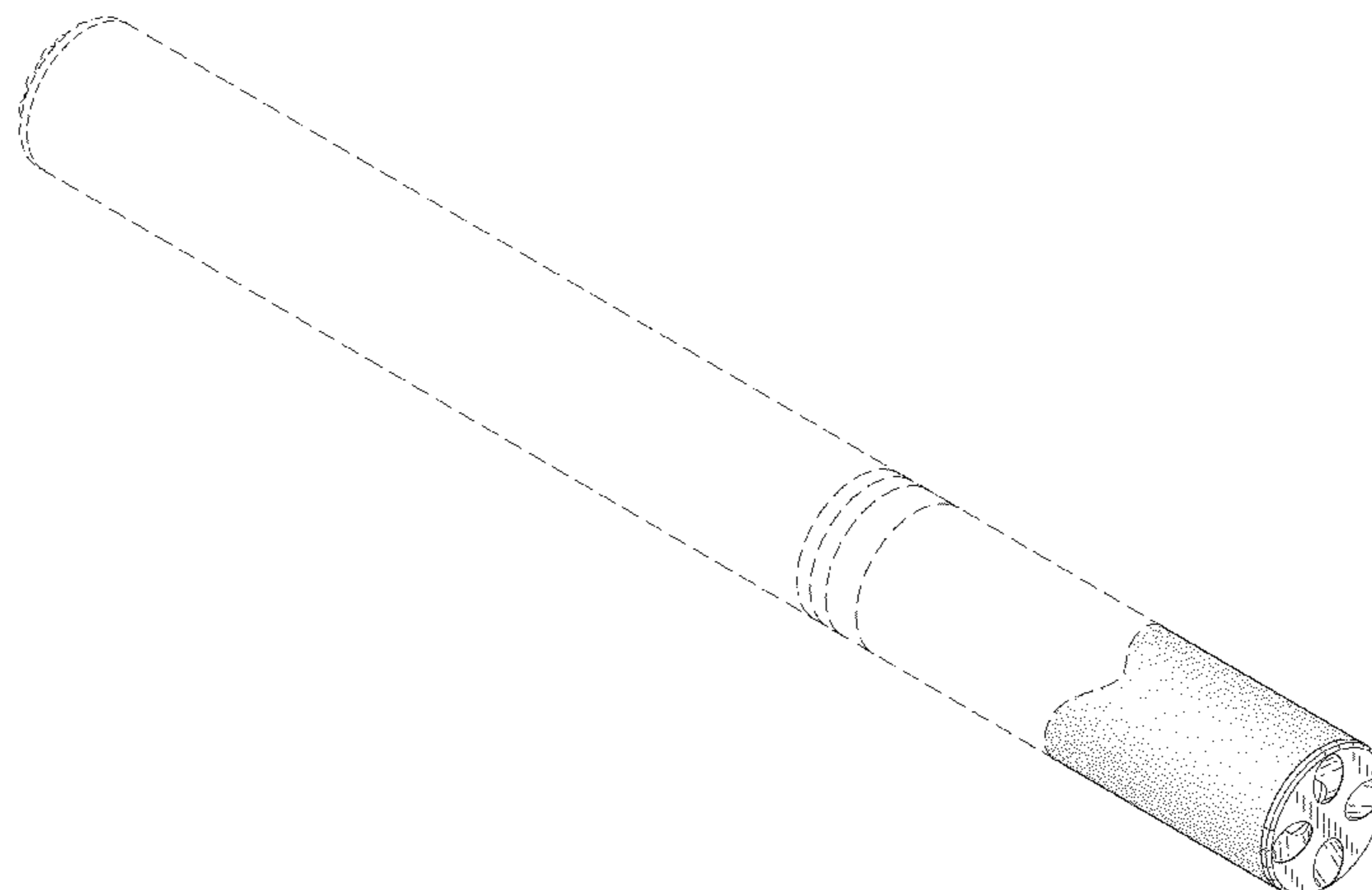
The broken line showing illustrates portions of the electronic smoking article which form no part of the claimed design.

1 Claim, 2 Drawing Sheets

(56) **References Cited**

U.S. PATENT DOCUMENTS

539,839 A * 5/1895 Voron 131/361
1,013,157 A 1/1912 Hadaway, Jr.
1,514,682 A 11/1924 Wilson
1,771,366 A 7/1930 Wyss et al.
1,968,509 A 7/1934 Tiffany



(56)

References Cited

U.S. PATENT DOCUMENTS

| | | | | | |
|---------------|---------|-----------------------------|-------------------|---------|----------------------------------|
| 2,974,669 A | 3/1961 | Ellis | 5,159,940 A | 11/1992 | Hayward et al. |
| 3,062,218 A | 11/1962 | Temkovits | 5,179,966 A | 1/1993 | Losee et al. |
| 3,200,819 A | 8/1965 | Gilbert | 5,224,498 A | 7/1993 | Deevi et al. |
| 3,255,760 A | 6/1966 | Selker | 5,228,460 A | 7/1993 | Sprinkel et al. |
| 3,258,015 A | 6/1966 | Ellis et al. | 5,235,157 A | 8/1993 | Blackburn |
| 3,356,094 A | 12/1967 | Ellis et al. | 5,249,586 A | 10/1993 | Morgan et al. |
| 3,363,633 A | 1/1968 | Weber | 5,269,327 A * | 12/1993 | Counts et al. 131/194 |
| 3,402,723 A | 9/1968 | Hu | 5,274,214 A | 12/1993 | Blackburn |
| 3,482,580 A | 12/1969 | Hollabaugh | 5,285,050 A | 2/1994 | Blackburn |
| 3,521,643 A | 7/1970 | Toth | 5,322,075 A | 6/1994 | Deevi et al. |
| 3,559,300 A | 2/1971 | Fox | 5,353,813 A | 10/1994 | Deevi et al. |
| 3,587,573 A * | 6/1971 | Flack 128/203.21 | 5,369,723 A | 11/1994 | Counts et al. |
| 3,608,560 A | 9/1971 | Briskin et al. | 5,388,594 A | 2/1995 | Counts et al. |
| 3,681,018 A | 8/1972 | Knauff | 5,396,911 A | 3/1995 | Casey, III et al. |
| 3,738,374 A | 6/1973 | Bennett | 5,408,574 A | 4/1995 | Deevi et al. |
| 3,744,496 A | 7/1973 | McCarty et al. | 5,498,855 A | 3/1996 | Deevi et al. |
| D229,725 S * | 12/1973 | Berger D27/101 | 5,505,214 A | 4/1996 | Collins et al. |
| D229,788 S * | 1/1974 | Berger D27/101 | 5,591,368 A | 1/1997 | Fleischhauer et al. |
| D229,789 S * | 1/1974 | Berger D27/101 | 5,592,955 A | 1/1997 | Keritsis |
| D229,790 S * | 1/1974 | Berger D27/101 | 5,595,706 A | 1/1997 | Sikka et al. |
| 3,789,840 A * | 2/1974 | Rosenblatt 131/273 | 5,611,360 A * | 3/1997 | Tang 131/194 |
| 3,804,100 A | 4/1974 | Fariello | 5,613,504 A | 3/1997 | Collins et al. |
| 3,875,476 A | 4/1975 | Crandall et al. | 5,724,997 A | 3/1998 | Smith et al. |
| 3,878,041 A | 4/1975 | Leitnaker et al. | 5,743,251 A | 4/1998 | Howell et al. |
| 3,886,954 A | 6/1975 | Hannema et al. | 5,865,185 A | 2/1999 | Collins et al. |
| 3,889,690 A | 6/1975 | Guarnieri | 5,878,752 A | 3/1999 | Adams et al. |
| 3,895,219 A | 7/1975 | Richerson et al. | 5,935,975 A | 8/1999 | Rose et al. |
| 3,943,941 A | 3/1976 | Boyd et al. | 6,155,268 A | 12/2000 | Takeuchi |
| D240,541 S * | 7/1976 | Rupert D27/101 | 6,196,218 B1 | 3/2001 | Voges |
| 4,016,061 A | 4/1977 | Wasa et al. | D453,854 S * | 2/2002 | Verhoeven-Koster D27/101 |
| 4,068,672 A | 1/1978 | Guerra | 6,598,607 B2 | 7/2003 | Adiga et al. |
| 4,077,784 A | 3/1978 | Vayrynen | 6,715,487 B2 | 4/2004 | Nichols et al. |
| 4,083,372 A | 4/1978 | Boden | 6,772,756 B2 | 8/2004 | Shayan |
| 4,098,725 A | 7/1978 | Yamamoto et al. | 6,854,470 B1 | 2/2005 | Pu |
| 4,110,260 A | 8/1978 | Yamamoto et al. | 7,131,599 B2 | 11/2006 | Katase |
| 4,131,119 A | 12/1978 | Blasutti | 7,167,641 B2 | 1/2007 | Tam et al. |
| 4,141,369 A | 2/1979 | Burruss | 7,458,374 B2 | 12/2008 | Hale et al. |
| 4,164,230 A | 8/1979 | Pearlman | D590,988 S | 4/2009 | Hon |
| 4,193,411 A | 3/1980 | Faris et al. | D590,989 S | 4/2009 | Hon |
| 4,209,026 A | 6/1980 | Dock | D590,990 S | 4/2009 | Hon |
| 4,215,708 A | 8/1980 | Bron | D590,991 S | 4/2009 | Hon |
| 4,219,032 A | 8/1980 | Tabatznik et al. | D613,902 S * | 4/2010 | Kaljura D27/101 |
| 4,246,913 A | 1/1981 | Ogden et al. | D614,346 S | 4/2010 | Lik |
| 4,256,945 A | 3/1981 | Carter et al. | 7,726,320 B2 | 6/2010 | Robinson et al. |
| 4,259,970 A | 4/1981 | Green, Jr. | 7,789,089 B2 | 9/2010 | Dube et al. |
| 4,331,166 A | 5/1982 | Hale | 7,810,508 B2 | 10/2010 | Wyss-Peters et al. |
| 4,340,072 A | 7/1982 | Bolt et al. | 7,832,410 B2 | 11/2010 | Hon |
| D270,097 S * | 8/1983 | Minkevitch D27/127 | 7,845,359 B2 | 12/2010 | Montaser |
| 4,419,302 A | 12/1983 | Nishino et al. | 7,878,962 B2 | 2/2011 | Karles et al. |
| 4,457,319 A | 7/1984 | Lamb et al. | 7,938,124 B2 | 5/2011 | Izumiya et al. |
| 4,493,331 A | 1/1985 | Porenski, Jr. | D644,375 S | 8/2011 | Zhou |
| 4,517,996 A | 5/1985 | Vester | 7,997,280 B2 | 8/2011 | Rosenthal |
| 4,649,944 A | 3/1987 | Houck, Jr. et al. | D646,431 S * | 10/2011 | Awty et al. D27/194 |
| 4,687,008 A | 8/1987 | Houck, Jr. et al. | D651,338 S * | 12/2011 | Awty et al. D27/194 |
| 4,765,347 A | 8/1988 | Sensabaugh et al. | 8,079,371 B2 | 12/2011 | Robinson et al. |
| 4,804,002 A | 2/1989 | Herron | D652,987 S * | 1/2012 | Kaljura D27/101 |
| 4,941,486 A | 7/1990 | Dube et al. | D653,390 S * | 1/2012 | Kaljura D27/101 |
| 4,945,929 A | 8/1990 | Eglimex | D653,802 S * | 2/2012 | Kaljura D27/101 |
| 4,981,522 A | 1/1991 | Nichols et al. | D655,036 S | 2/2012 | Zhou |
| 4,991,606 A | 2/1991 | Serrano et al. | 8,118,161 B2 | 2/2012 | Guerrera et al. |
| 5,016,656 A | 5/1991 | McMurtrie | 8,127,772 B2 | 3/2012 | Montaser |
| 5,040,552 A | 8/1991 | Schleich et al. | 8,156,944 B2 | 4/2012 | Han |
| 5,042,510 A * | 8/1991 | Curtiss et al. 131/273 | 8,157,918 B2 | 4/2012 | Becker et al. |
| 5,045,237 A | 9/1991 | Washburn | 8,205,622 B2 | 6/2012 | Pan |
| 5,060,671 A | 10/1991 | Counts et al. | 8,314,591 B2 | 11/2012 | Terry et al. |
| 5,076,296 A | 12/1991 | Nystrom et al. | 2004/0020500 A1 | 2/2004 | Wrenn et al. |
| 5,085,804 A | 2/1992 | Washburn | 2004/0099266 A1 | 5/2004 | Cross et al. |
| 5,093,894 A | 3/1992 | Deevi et al. | 2005/0016550 A1 | 1/2005 | Katase |
| 5,095,921 A | 3/1992 | Losee et al. | 2005/0016553 A1 | 1/2005 | Iannuzzi |
| 5,116,298 A | 5/1992 | Bondanelli et al. | 2005/0175331 A1 | 8/2005 | Tam et al. |
| 5,137,578 A | 8/1992 | Chan | 2006/0191546 A1 | 8/2006 | Tokano et al. |
| 5,139,594 A | 8/1992 | Rabin | 2006/0196518 A1 | 9/2006 | Hon |
| 5,144,962 A | 9/1992 | Counts et al. | 2006/0254604 A1 * | 11/2006 | Martinez Fernandez 131/273 |
| 5,144,964 A | 9/1992 | Demain | 2007/0095357 A1 | 5/2007 | Besso et al. |
| 5,157,242 A | 10/1992 | Hetherington et al. | 2007/0267031 A1 | 11/2007 | Hon |
| | | | 2007/0267032 A1 | 11/2007 | Shan |
| | | | 2008/0092912 A1 | 4/2008 | Robinson et al. |
| | | | 2008/0230052 A1 | 9/2008 | Montaser |
| | | | 2008/0276947 A1 | 11/2008 | Martzel |

(56)

References Cited

U.S. PATENT DOCUMENTS

2009/0007925 A1 1/2009 Rasouli et al.
 2009/0044816 A1 2/2009 Rasouli et al.
 2009/0126745 A1 5/2009 Hon
 2009/0151717 A1 6/2009 Bowen et al.
 2009/0162294 A1 6/2009 Werner
 2009/0188490 A1 7/2009 Han
 2009/0230117 A1 9/2009 Fernando et al.
 2009/0272379 A1 11/2009 Thorens et al.
 2010/0031968 A1 2/2010 Sheikh et al.
 2010/0083959 A1 4/2010 Siller
 2010/0126505 A1 5/2010 Rinker
 2010/0200008 A1 8/2010 Taieb
 2010/0206317 A1 8/2010 Albino et al.
 2010/0307518 A1 12/2010 Wang
 2011/0011396 A1 1/2011 Fang
 2011/0036346 A1 2/2011 Cohen et al.
 2011/0036363 A1 2/2011 Urtsev et al.
 2011/0088707 A1* 4/2011 Hajaligol 131/194
 2011/0094523 A1 4/2011 Thorens et al.
 2011/0120455 A1 5/2011 Murphy
 2011/0120482 A1 5/2011 Brenneise
 2011/0155153 A1 6/2011 Thorens et al.
 2011/0209717 A1 9/2011 Han
 2011/0220134 A1* 9/2011 Duke et al. 131/331
 2011/0232654 A1* 9/2011 Mass 131/273
 2011/0245493 A1 10/2011 Rabinowitz et al.
 2011/0265806 A1 11/2011 Alarcon et al.
 2011/0277756 A1 11/2011 Terry et al.
 2011/0277757 A1 11/2011 Terry et al.
 2011/0277760 A1 11/2011 Terry et al.
 2011/0277761 A1 11/2011 Terry et al.
 2011/0277764 A1 11/2011 Terry et al.
 2011/0277780 A1* 11/2011 Terry et al. 131/273
 2011/0303231 A1 12/2011 Li et al.
 2011/0304282 A1 12/2011 Li et al.
 2012/0006342 A1 1/2012 Rose et al.
 2012/0090629 A1 4/2012 Turner et al.
 2012/0111347 A1 5/2012 Hon
 2012/0118301 A1 5/2012 Montaser
 2012/0145169 A1 6/2012 Wu
 2012/0167906 A1 7/2012 Gysland
 2012/0186593 A1 7/2012 Grano et al.
 2012/0186594 A1 7/2012 Liu
 2012/0199146 A1 8/2012 Marangos
 2012/0199663 A1 8/2012 Qiu
 2012/0211015 A1 8/2012 Li et al.
 2012/0230659 A1 9/2012 Goodman et al.
 2012/0260927 A1 10/2012 Liu
 2012/0285475 A1 11/2012 Liu
 2012/0312313 A1 12/2012 Frija
 2012/0318283 A1 12/2012 Watanabe et al.
 2012/0318882 A1 12/2012 Abehasera
 2013/0014772 A1 1/2013 Liu
 2013/0019887 A1 1/2013 Liu
 2013/0025609 A1 1/2013 Liu
 2013/0032159 A1 2/2013 Capuano
 2013/0081642 A1 4/2013 Safari
 2013/0118509 A1* 5/2013 Richardson 131/280

CN 202026804 U 11/2011
 CN 20223305 U 5/2012
 CN 20223307 U 5/2012
 DE 3640917 8/1988
 DE 3735704 5/1989
 EM 000054630-0001 9/2003
 EM 000054630-0002 9/2003
 EM 000084876-0001 1/2004
 EM 000084876-0002 1/2004
 EM 000084876-0003 1/2004
 EM 000084876-0004 1/2004
 EM 000084876-0005 1/2004
 EM 000084876-0006 1/2004
 EM 000084876-0007 1/2004
 EM 000084876-0008 1/2004
 EM 000084876-0009 1/2004
 EM 000084876-0010 1/2004
 EM 000084876-0011 1/2004
 EM 000084876-0012 1/2004
 EM 000084876-0013 1/2004
 EM 000084876-0014 1/2004
 EM 000084876-0015 1/2004
 EM 000084876-0016 1/2004
 EM 000084876-0017 1/2004
 EP 0117355 12/1987
 EP 0277519 8/1988
 EP 0295122 12/1988
 EP 0358 002 3/1990
 EP 0358114 3/1990
 EP 0430566 6/1991
 EP 0438862 7/1991
 EP 0608783 3/1994
 EP 0845220 6/1998
 EP 0893071 1/1999
 EP 1128741 9/2001
 EP 1618803 1/2006
 EP 1736065 12/2006
 EP 2113178 11/2009
 NL 8201585 11/1982
 WO WO86/02528 5/1986
 WO WO95/02970 2/1995
 WO WO00/28843 3/2000
 WO WO2004/043175 5/2004
 WO WO2004/080216 9/2004
 WO WO2004/095955 11/2004
 WO WO2005/099494 10/2005
 WO WO2007/066374 6/2007
 WO WO2007/078273 7/2007
 WO WO2007/098337 8/2007
 WO WO2007/131449 11/2007
 WO WO2007/131450 11/2007
 WO WO2007/141668 12/2007
 WO WO2008/055423 5/2008
 WO WO2010/091593 8/2010
 WO WO2010/145468 12/2010
 WO WO2011/121326 10/2011
 WO WO2011/124033 10/2011
 WO WO2011/146372 11/2011
 WO WO2012/088675 7/2012
 WO WO2012/109371 8/2012
 WO WO2012/129787 10/2012
 WO WO2012/129812 10/2012
 WO WO2012/142293 10/2012

FOREIGN PATENT DOCUMENTS

CN 2777995 Y 5/2006
 CN 101322579 A 12/2008
 CN 201709398 U 1/2011
 CN 201789924 U 4/2011
 CN 201797997 U 4/2011
 CN 102106611 A 6/2011
 CN 201860753 6/2011
 CN 102166044 A 8/2011
 CN 201986689 U 9/2011
 CN 202014571 U 10/2011
 CN 202014572 U 10/2011
 CN 202026802 U 11/2011

OTHER PUBLICATIONS

International Search Report and Written Opinion for PCT/US13/24219 dated Mar. 14, 2013.
 International Search Report and Written Opinion for PCT/US13/24229 dated Mar. 19, 2013.
 International Search Report and Written Opinion for PCT/US13/24215 dated Mar. 19, 2013.
 International Search Report and Written Opinion for PCT/US13/24228 dated Mar. 21, 2013.

* cited by examiner

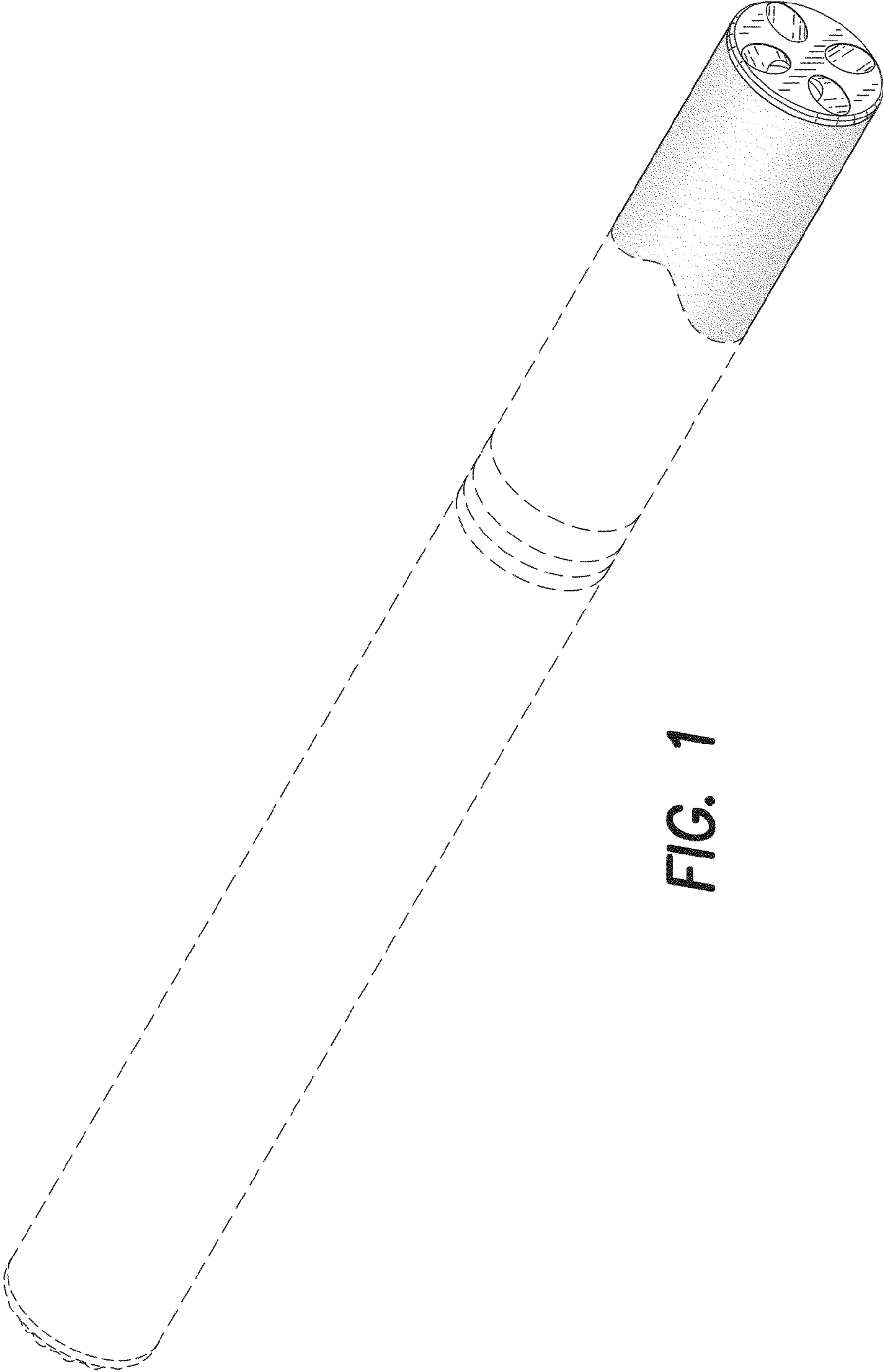


FIG. 1

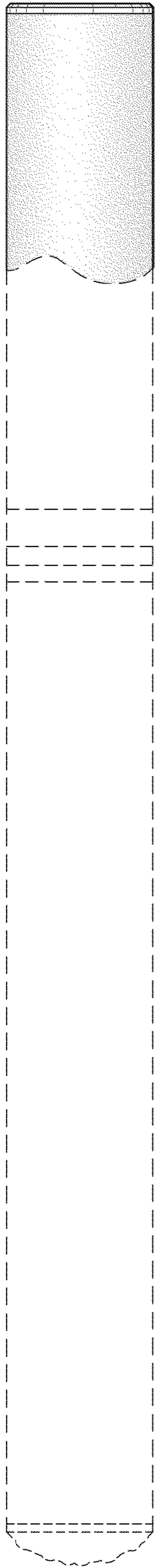


FIG. 2

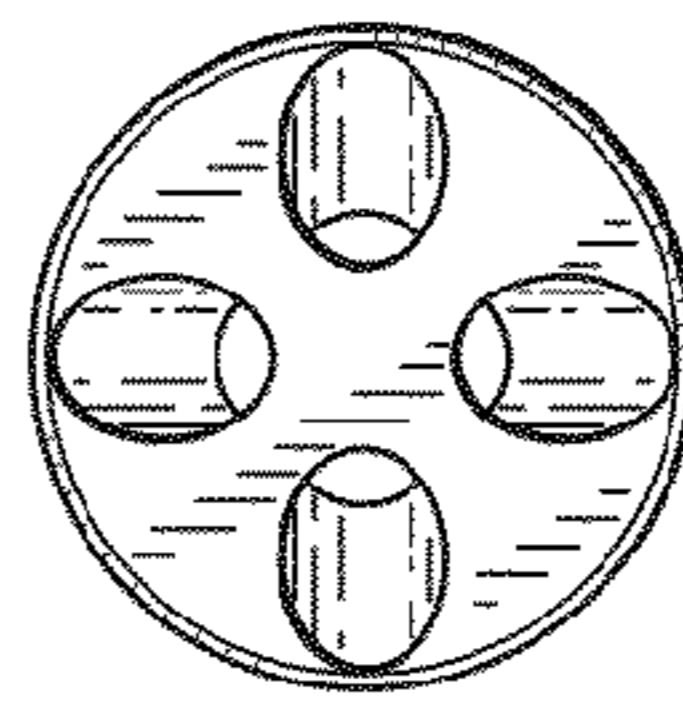


FIG. 3