

US00D691764S

(12) **United States Design Patent**  
**Sieczkowski**

(10) **Patent No.:** **US D691,764 S**  
(45) **Date of Patent:** **\*\* Oct. 15, 2013**

(54) **LIGHT FIXTURE**

(71) Applicant: **ABL IP Holding LLC**, Conyers, GA  
(US)  
(72) Inventor: **Philip Sieczkowski**, Lawrenceville, GA  
(US)  
(73) Assignee: **ABL IP Holding LLC**, Conyers, GA  
(US)

(\*\*) Term: **14 Years**

(21) Appl. No.: **29/436,848**

(22) Filed: **Nov. 9, 2012**

(51) **LOC (9) Cl.** ..... **26-99**

(52) **U.S. Cl.**  
USPC ..... **D26/120**

(58) **Field of Classification Search**  
USPC ..... D26/118, 119, 120, 67, 68, 69, 62,  
D26/63, 85, 86, 121, 122, 65, 124, 125, 139,  
D26/138, 140, 155, 154, 72, 76, 75, 64, 66,  
D26/71, 78, 79, 84, 137, 136, 126, 127, 128,  
D26/129, 135, 132, 134, 142, 144, 145, 147,  
D26/152, 1, 2, 3, 87, 88, 24, 25, 26, 28, 89,  
D26/90, 91, 92;  
362/225, 326, 147, 249.01-249.12, 346,  
362/223, 224, 306, 149, 362, 217.05, 342,  
362/217.03, 297, 294, 235, 329, 476, 555,  
362/218; D13/179, 180

See application file for complete search history.

(56) **References Cited**

**U.S. PATENT DOCUMENTS**

D139,670 S \* 12/1944 Lippincott ..... D26/76  
D180,534 S \* 6/1957 Brooks ..... D26/76

D404,161 S \* 1/1999 Herst et al. .... D26/76  
D424,732 S \* 5/2000 Cece ..... D26/76  
D426,338 S \* 6/2000 Herst et al. .... D26/75  
D457,981 S \* 5/2002 Yeh ..... D26/76  
D493,565 S \* 7/2004 Smith et al. .... D26/118  
D516,236 S \* 2/2006 Yeh ..... D26/89  
D549,367 S \* 8/2007 Hovind et al. .... D26/28

(Continued)

**OTHER PUBLICATIONS**

Contemporary Floating Cloud, RC232/2U3/417/432, American  
Fluorescent, undated, 1 page, Admitted Prior Art.

(Continued)

*Primary Examiner* — Kevin Rudzinski

(74) *Attorney, Agent, or Firm* — Kilpatrick Townsend &  
Stockton LLP

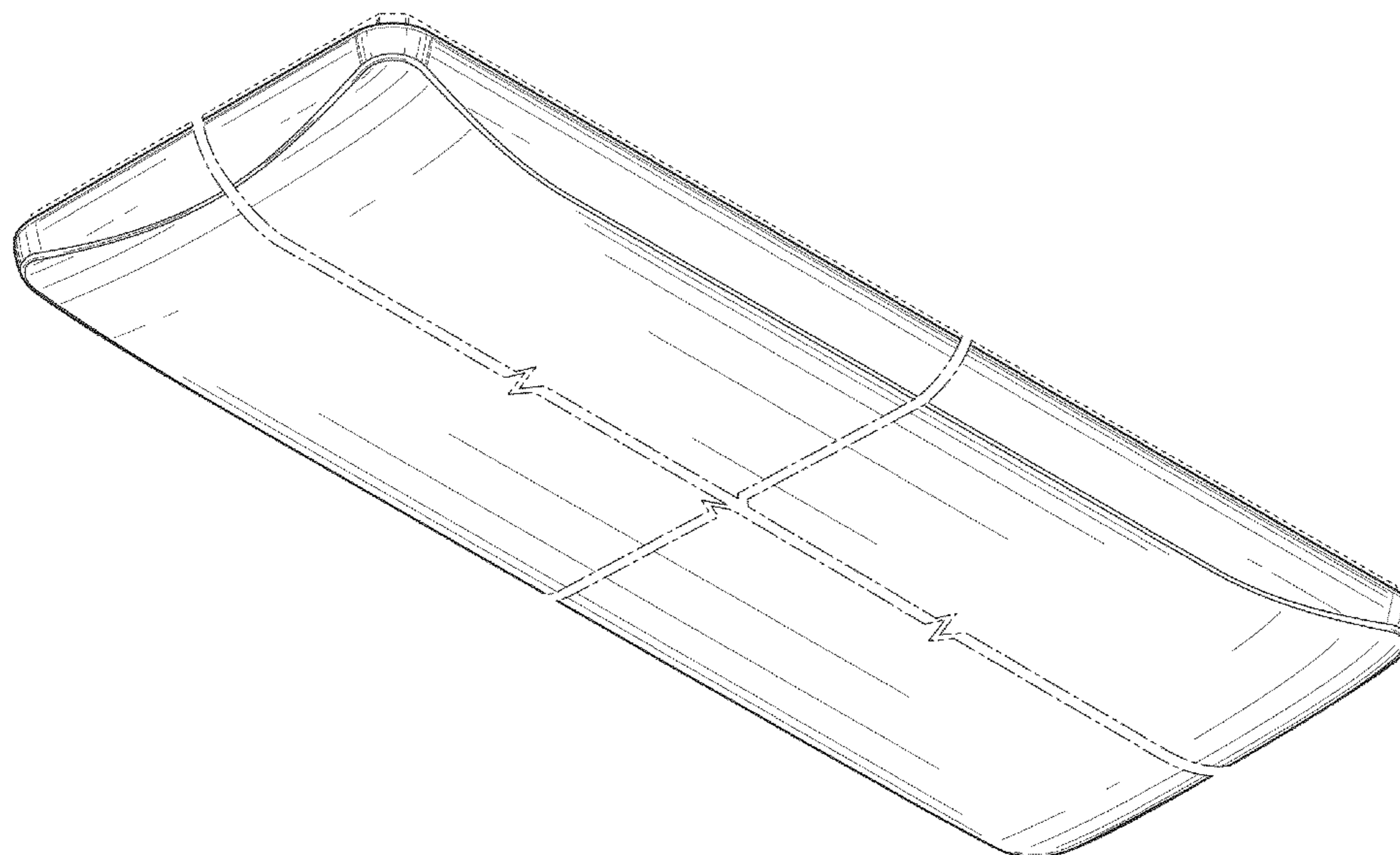
(57) **CLAIM**

The ornamental design for a light fixture, as shown and  
described.

**DESCRIPTION**

FIG. 1 is a bottom perspective view of the light fixture.  
FIG. 2 is a right side elevation view of the light fixture of FIG.  
1.  
FIG. 3 is a left side elevation view of the light fixture of FIG.  
1.  
FIG. 4 is a front elevation view of the light fixture of FIG. 1.  
FIG. 5 is a rear elevation view of the light fixture of FIG. 1.  
FIG. 6 is a bottom plan view of the light fixture of FIG. 1; and,  
FIG. 7 is a top plan view of the light fixture of FIG. 1.  
Portions or features of the light fixture not shown in the  
drawings form no part of the claimed design. The broken lines  
in the drawings illustrating portions of the light fixture form  
no part of the claimed design.

**1 Claim, 5 Drawing Sheets**



(56)

References Cited

U.S. PATENT DOCUMENTS

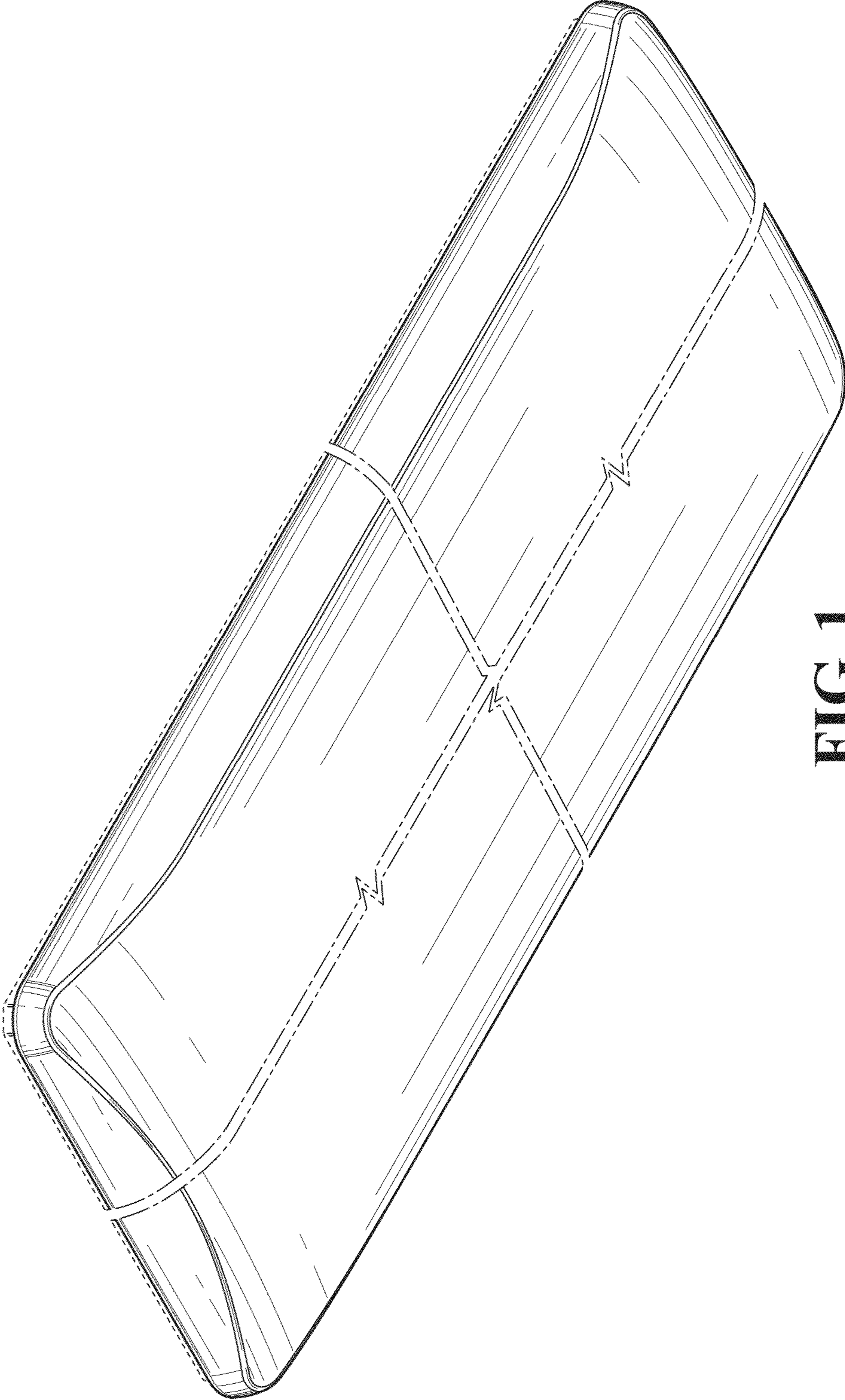
D565,716 S *	4/2008	Jacak .....	D23/371
D595,447 S *	6/2009	Purcell .....	D26/85
D609,384 S *	2/2010	Gray et al. ....	D26/71
D609,841 S *	2/2010	Bush .....	D26/76
D610,735 S *	2/2010	Chien .....	D26/76
D634,055 S *	3/2011	Hokazono et al. ....	D26/89
D655,854 S *	3/2012	Kim et al. ....	D26/89
D674,125 S *	1/2013	Davies .....	D26/28
D676,180 S *	2/2013	Sandell et al. ....	D26/92

OTHER PUBLICATIONS

Step Floating Cloud, RCS232/2U3/432, American Fluorescent, undated, 1 page, Admitted Prior Art.  
 Clouds 4-light Ceiling in White Finish, Philips, undated, 1 page, Admitted Prior Art.  
 1004-44-PL, Minka Group, undated, 1 page, Admitted Prior Art.  
 1005-44-PL, Minka Group, undated, 1 page, Admitted Prior Art.  
 1006-44-PL, Minka Group, undated, 1 page, Admitted Prior Art.  
 1007-44-PL, Minka Group, undated, 1 page, Admitted Prior Art.  
 1008-44-PL, Minka Group, undated, 1 page, Admitted Prior Art.  
 CLL Series, AFX Lighting, 2013, 1 page, Admitted Prior Art.  
 WSC Series, Cooper Lighting, undated, 2 pages, Admitted Prior Art.  
 Clouds 2-light Ceiling in White Finish, Philips Forecast, 2012, 2 pages, Admitted Prior Art.  
 Clouds 4-light Ceiling in White Finish, Philips Forecast, 2012, 2 pages, Admitted Prior Art.  
 Kichler 10301 Energy Start Rated Fluorescent Ceiling Fixture, Kichler, 2000-2013, 2 pages, Admitted Prior Art.  
 1003-44-PL, Minka Group, undated, 1 page, Admitted Prior Art.  
 Sea Gull Lighting Signature Fluorescent Trim Only in White Plastic 5912-68, Sea Gull Lighting, 2009-2012, 2 pages, Admitted Prior Art.

Sea Gull Lighting Signature 4 light Fluorescent Trim Only in White Plastic 5913-68, Sea Gull Lighting, 2009-2012, 2 pages, Admitted Prior Art.  
 Sea Gull Lighting Signature 2 Light Fluorescent Flush Mount in White 59270LE-15, Sea Gull Lighting, 2009-2012, 2 pages, Admitted Prior Art.  
 Sea Gull Lighting Signature 2 Light Fluorescent Ceiling in White 59270L-15, Sea Gull Lighting, 2009-2012, 2 pages, Admitted Prior Art.  
 Sea Gull Lighting Signature 4 Light Fluorescent Ceiling in White 59271L-15, Sea Gull Lighting, 2009-2012, 2 pages, Admitted Prior Art.  
 White Acrylic Pillow Fluorescent Trim, Sea Gull Lighting, 2012, 1 page, Admitted Prior Art.  
 PID Series, Texas Fluorescents, undated, 2 pages, Admitted Prior Art.  
 PUFF Series, Texas Fluorescents, undated, 2 pages, Admitted Prior Art.  
 Maxim Lighting Cloud EE 2 Light Flush Mount in White 87530WT, Maxim, 2009-2013, 2 pages, Admitted Prior Art.  
 Maxim Lighting Cloud EE 4 Light Flush Mount in White 87531WT, Maxim, 2009-2013, 2 pages, Admitted Prior Art.  
 Modular Fluorescent > Modular Fluorescent > P7279-60EB, Progress Lighting, 2011, 2 pages, Admitted Prior Art.  
 Modular Fluorescent > Modular Fluorescent > P7280-60EB, Progress Lighting, 2011, 2 pages, Admitted Prior Art.  
 Modular Fluorescent > Modular Fluorescent > P7278-60-EB, Progress Lighting, 2011, 2 pages, Admitted Prior Art.  
 Kichler 10303 Energy Star Rated Fluorescent Ceiling Fixture, Kichler, 2000-2013, 2 pages, Admitted Prior Art.  
 Cooper Lighting Metalux Residential Lighting, Cooper Lighting, Products, undated 16 pages, Admitted Prior Art.  
 The Efficiency Lighting Book, Kichler Lighting, undated, 3 pages, Admitted Prior Art.

\* cited by examiner



**FIG. 1**

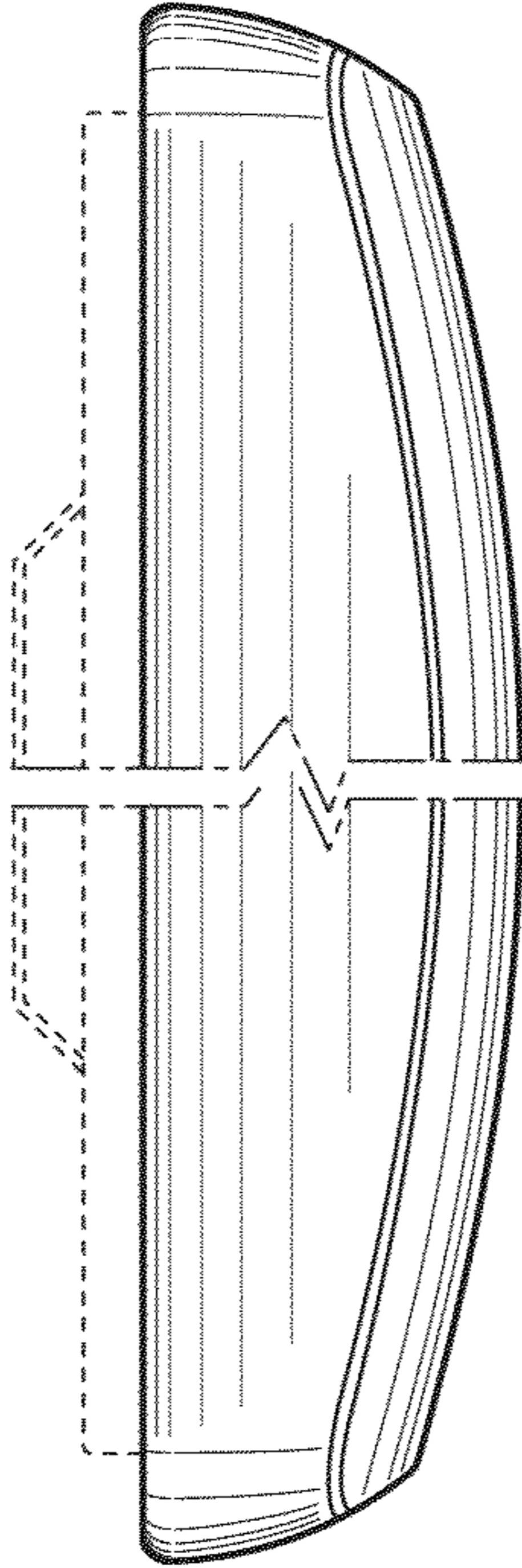


FIG. 2

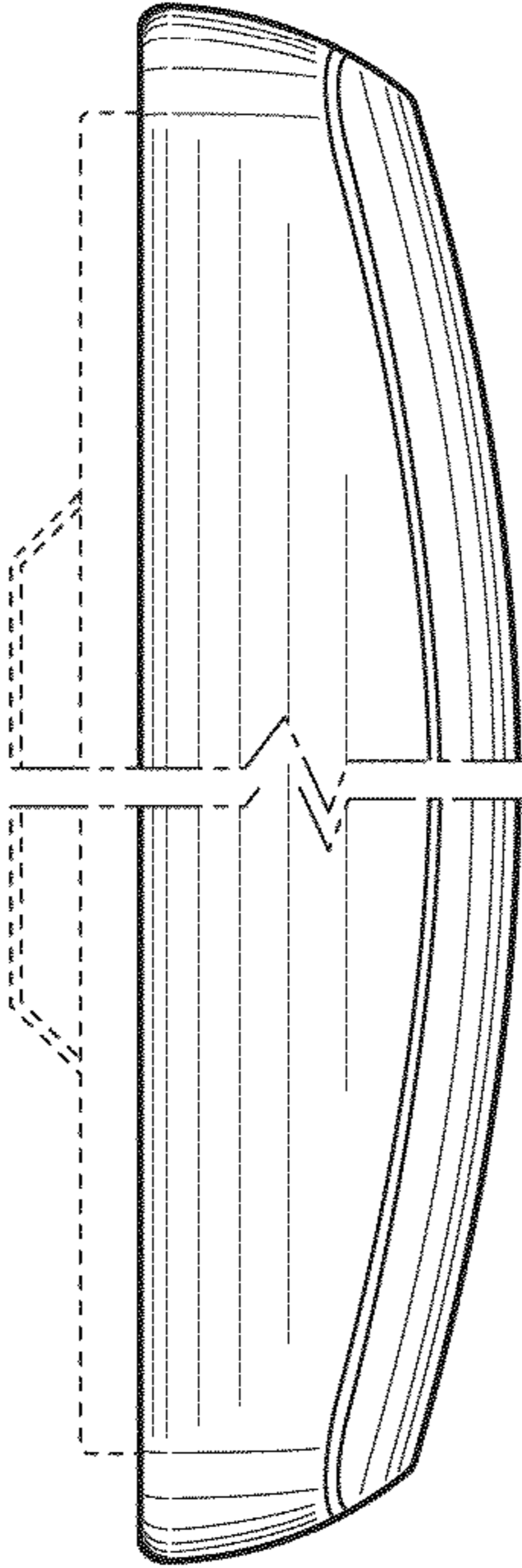
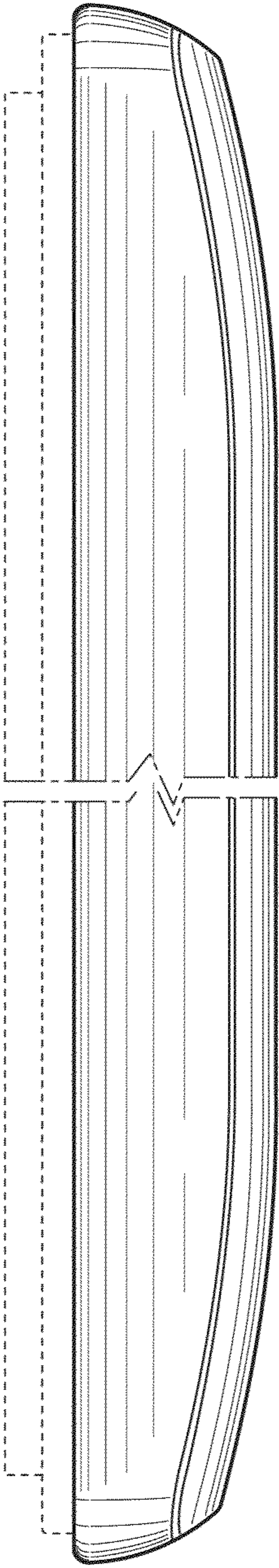
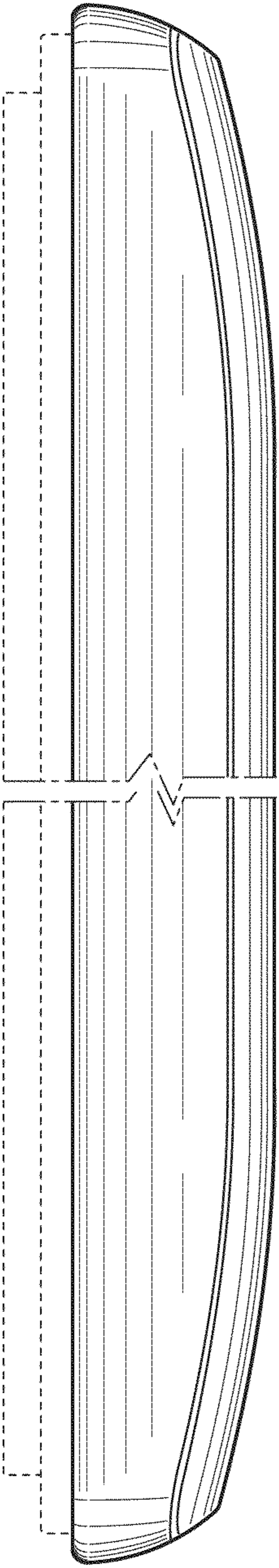


FIG. 3



**FIG. 4**



**FIG. 5**

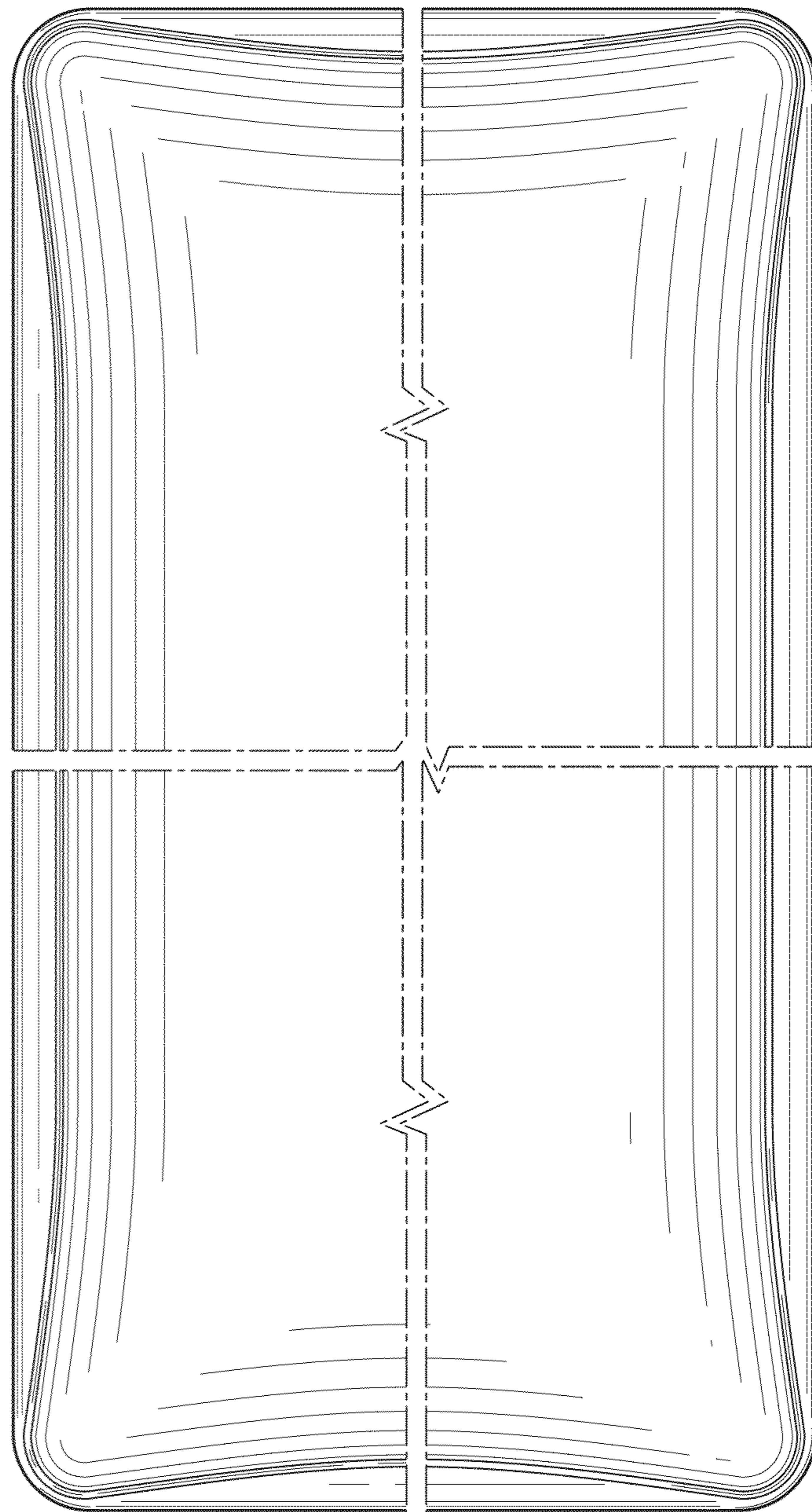
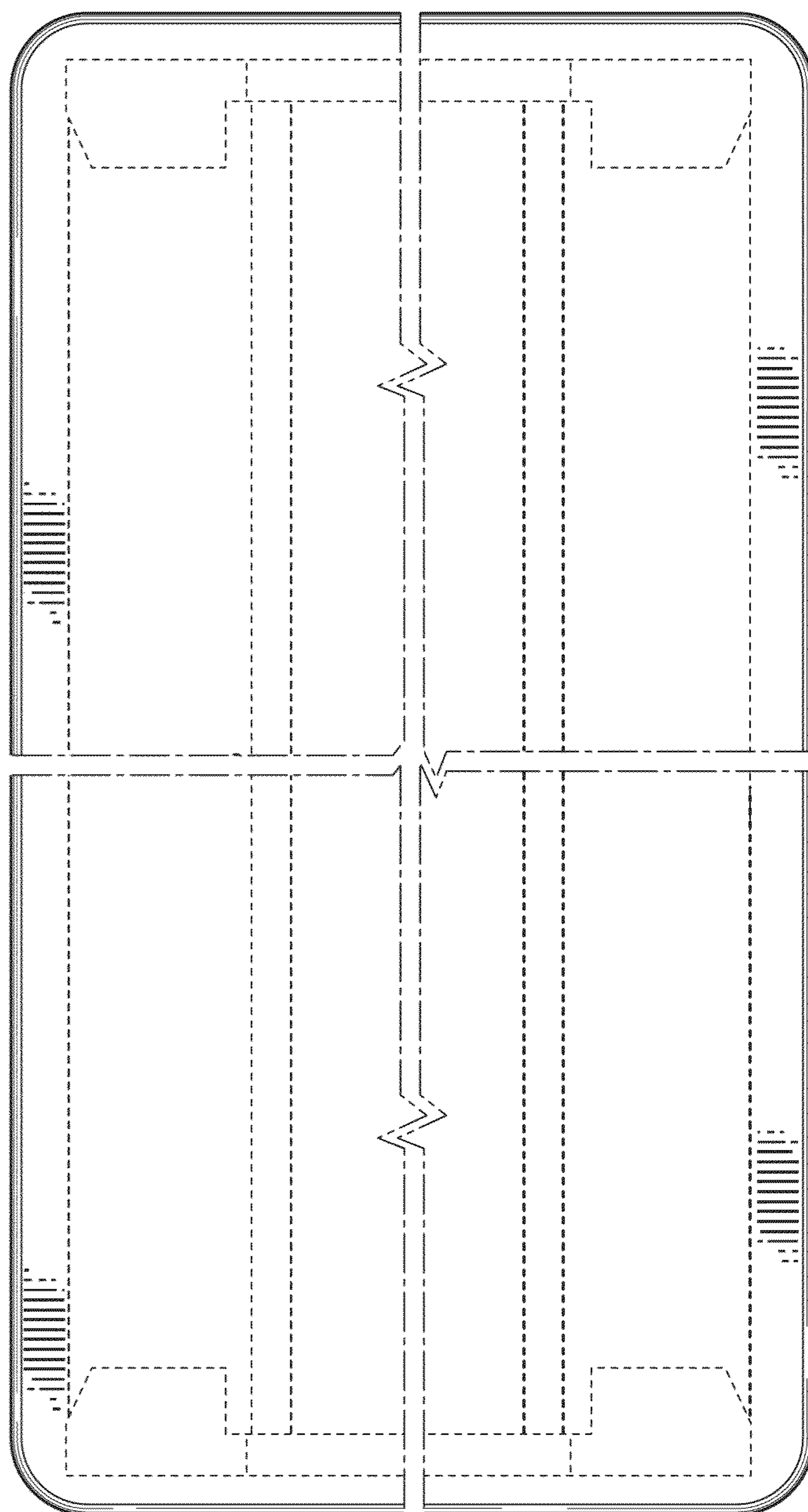


FIG. 6



**FIG. 7**