



US00D691763S

(12) **United States Design Patent**  
**Hand et al.**

(10) **Patent No.:** **US D691,763 S**  
(45) **Date of Patent:** **\*\* Oct. 15, 2013**

(54) **LIGHT FIXTURE**

(71) Applicant: **ABL IP Holding LLC**, Conyers, GA  
(US)

(72) Inventors: **Mitchell C. Hand**, McDonough, GA  
(US); **Vincent P. Belardo**, Grayson, GA  
(US); **Eric Stevenson**, Lipan, TX (US)

(73) Assignee: **ABL IP Holding LLC**, Conyers, GA  
(US)

(\*\*) Term: **14 Years**

(21) Appl. No.: **29/439,634**

(22) Filed: **Dec. 13, 2012**

(51) **LOC (9) Cl.** ..... **26-03**

(52) **U.S. Cl.**  
USPC ..... **D26/89**

(58) **Field of Classification Search**  
USPC ..... D26/1, 24, 72, 74, 80, 83, 85, 86, 89,  
D26/91, 118, 120, 124, 128, 131, 135;  
362/101, 133, 147, 267, 453-456, 507  
See application file for complete search history.

(56) **References Cited**

**U.S. PATENT DOCUMENTS**

D75,508 S *	6/1928	Moore	.....	D26/131
D82,715 S *	12/1930	Baker	.....	D26/131
1,799,711 A *	4/1931	Varder	.....	362/285
2,255,431 A *	9/1941	Marden et al.	.....	313/485
D140,840 S *	4/1945	Cressaty	.....	D26/124
D162,124 S *	2/1951	Brooks	.....	D26/89
D169,972 S *	7/1953	Glatthar et al.	.....	D26/89
D381,450 S *	7/1997	Sonneman	.....	D26/72
D475,802 S *	6/2003	Homann	.....	D26/74
D549,866 S *	8/2007	Pan	.....	D26/89

D571,034 S *	6/2008	Goetz-Schaefer	.....	D26/85
D607,600 S *	1/2010	Keith	.....	D26/85
D634,053 S *	3/2011	Guercio	.....	D26/89
D655,850 S *	3/2012	Sabernig	.....	D26/85
D662,648 S *	6/2012	Whiting et al.	.....	D26/89
8,201,968 B2 *	6/2012	Maxik et al.	.....	362/235
D668,811 S *	10/2012	Peter	.....	D26/89

**OTHER PUBLICATIONS**

Glimpse 6", Lighting Science, <http://www.lsgc.com/fixtures/glimpse>, 2012 (2 pages).  
Recessed-Trim > LED Surface > P8022-30/35K, Progress Lighting, <http://www.progresslighting.com/products.aspx?product=P8022-30>, 2011 (2 pages).  
Recessed-Trim > Shower Trim > P8009-60, Progress Lighting, <http://www.progresslighting.com/products.aspx?product=P8009-60>, 2011(1 page).

(Continued)

*Primary Examiner* — Clare E Heflin

(74) *Attorney, Agent, or Firm* — Kilpatrick Townsend & Stockton LLP

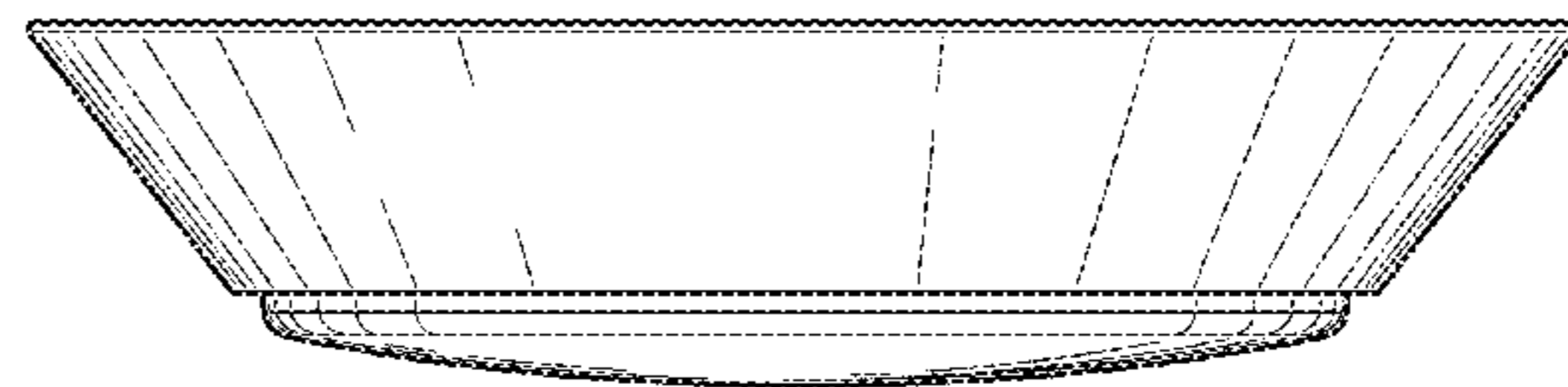
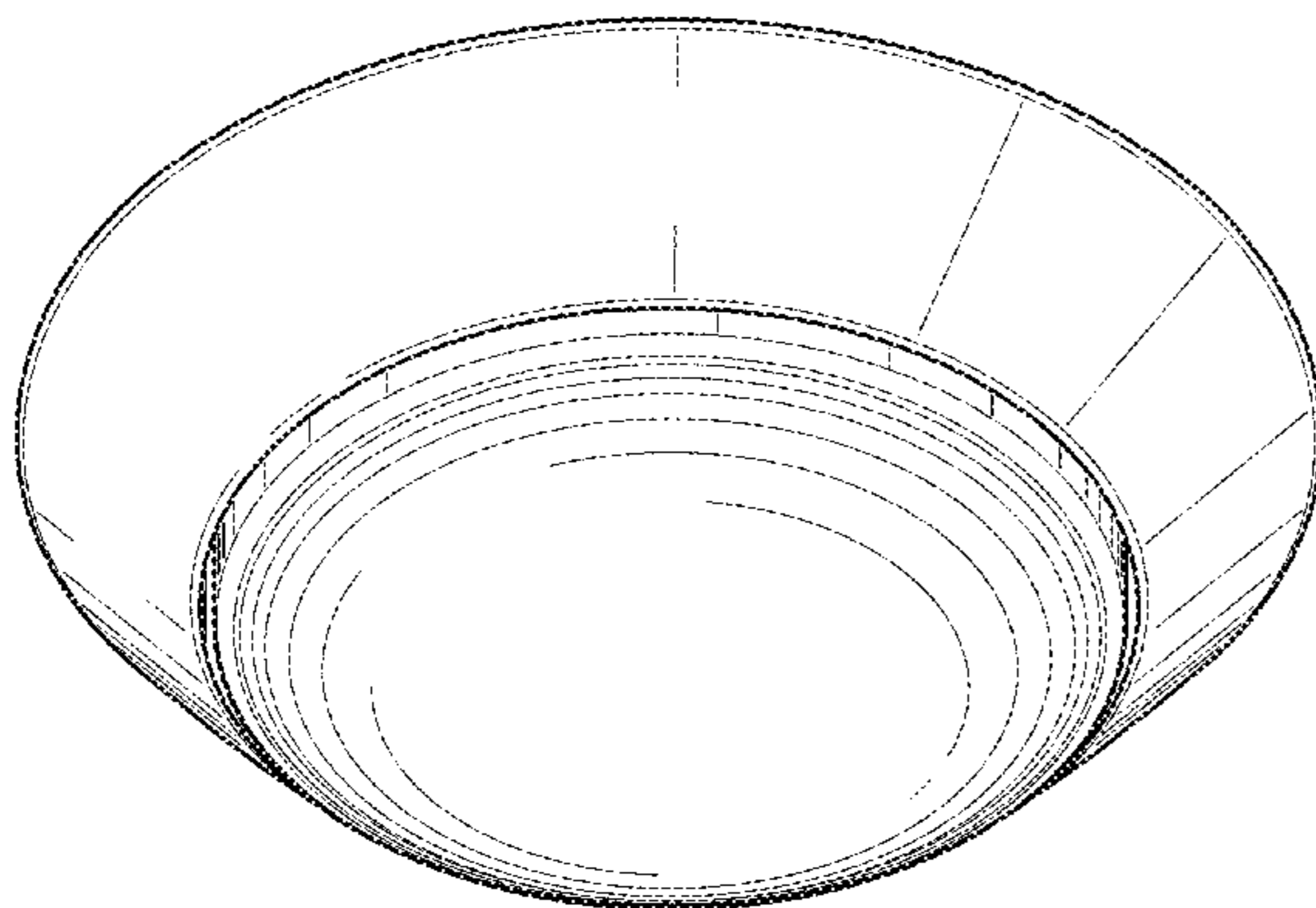
(57) **CLAIM**

The ornamental design for a light fixture, as shown and described.

**DESCRIPTION**

FIG. 1 is a bottom perspective view of the light fixture. FIG. 2 is a right side elevation view of the light fixture of FIG. 1, it being understood that all side elevation views are identical to the right side elevation view. FIG. 3 is a top plan view of the light fixture of FIG. 1; and, FIG. 4 is a bottom plan view of the light fixture of FIG. 1. Portions or features of the light rail not shown in the drawings form no part of the claimed design. The broken lines in the drawings form no part of the claimed design.

**1 Claim, 4 Drawing Sheets**



(56)

**References Cited**

## OTHER PUBLICATIONS

Recessed-Trim > Eyeball Trim > P8007-60, Progress Lighting, <http://www.progresslighting.com/products.aspx?product=P8007-604>, 2011 (1 page).

Glimpse 4", Lighting Science, <http://www.lsgc.com/fixtures/glimpse-4/>, 2012 (1 page).

Recessed-Trim > Open Shower Trim > P8074WL-28, Progress Lighting, <http://www.progresslighting.com/products.aspx?product=P8074WL-28>, 2011, (1 page).

Recessed-Trim > Shower Trim > P8025-60, Progress Lighting, <http://www.progresslighting.com/products.aspx?product+P8025-60>, 2011, (1 page).

Single-Light Incandescent Recessed Fixture, SeaGull Lighting, <http://www.seagulllighting.com/11775/Recessed-Lighting-Trim-1134-68.html>, 2013 (1 page).

4" Shower Trim, Sea Gull Lighting, <http://www.seagulllighting.com/product.search?SS=11092AT-15>, 2013 (1 page).

5" Shower Trim, Sea Gull Lighting, <http://www.seagulllighting.com/product.search?SS=11134AT-15>, 2013 (1 page).

Traverse LED: 6" LED Recessed Retrofit or Ceiling Mount 3000K, SeaGull Lighting, <http://www.seagulllighting.com/product.search?SS=14600S-15>, 2013 (1 page).

Traverse LED: 4" LED Recessed Retrofit or Ceiling Mount 3000K, SeaGull Lighting, <http://www.seagulllighting.com/product.search?SS=14601S-15>, 2013 (1 page).

Traverse LED: 4" LED Recessed Retrofit or Ceiling Mount 2700K, SeaGull Lighting, <http://www.seagulllighting.com/product.search?SS=14602S-15>, 2013 (1 page).

Traverse LED: 6" LED Recessed Retrofit or Ceiling Mount 2700K, SeaGull Lighting, <http://www.seagulllighting.com/product.search?SS=14603S-15>, 2013 (1 page).

Traverse LED: 6" LED Recessed Retrofit or Ceiling Mount 4000K, SeaGull Lighting, <http://www.seagulllighting.com/product.search?SS=14604S-15>, 2013 (1 page).

Traverse LED: 4" LED Recessed Retrofit or Ceiling Mount 4000K, SeaGull Lighting, <http://www.seagulllighting.com/product.search?SS=14607S-15>, 2013 (1 page).

ARMF Series: Flush/Semi-flush, AFX Lighting, [http://www.afxlighting.com/aftl\\_product\\_overview.cgi?id\\_num=40700&product\\_category=2](http://www.afxlighting.com/aftl_product_overview.cgi?id_num=40700&product_category=2), 2013 (1 page).

Recessed-Trim > Open Trim > P8074-28, Progress Lighting, 2011, 1 page.

Sea Gull Lighting Signature Recessed Trim Only in White 11034AT-15, <http://www.seagulllightinglights.com/product/seagull-lighting-signature-recessed>, 2009-2013, 2 pages.

Cooper Lighting Metalux Residential Lighting, Cooper Lighting, Products, undated, 16 pages.

The Efficiency Lighting Book, Kichler Lighting, undated, 3 pages.

\* cited by examiner

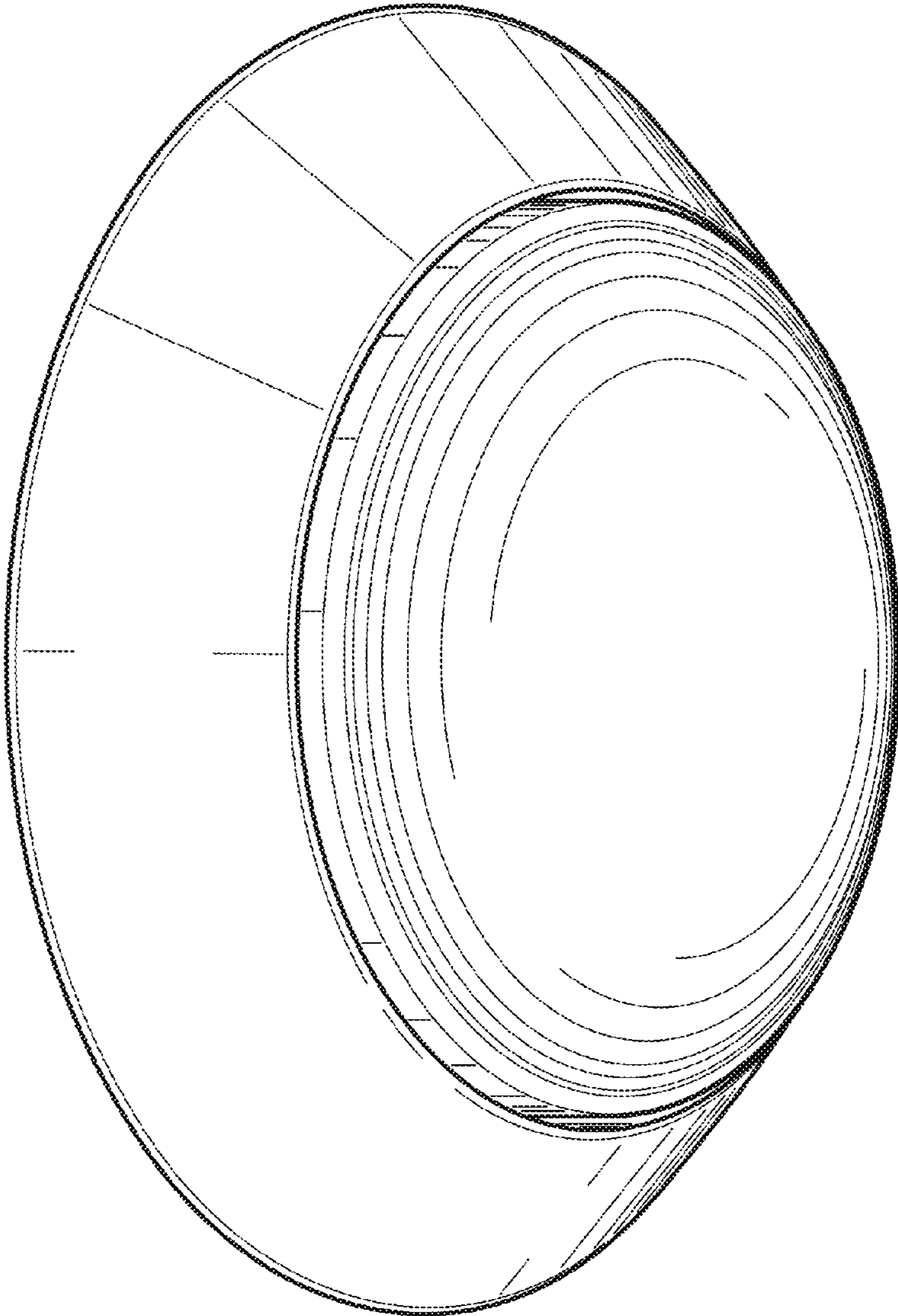


FIG. 1



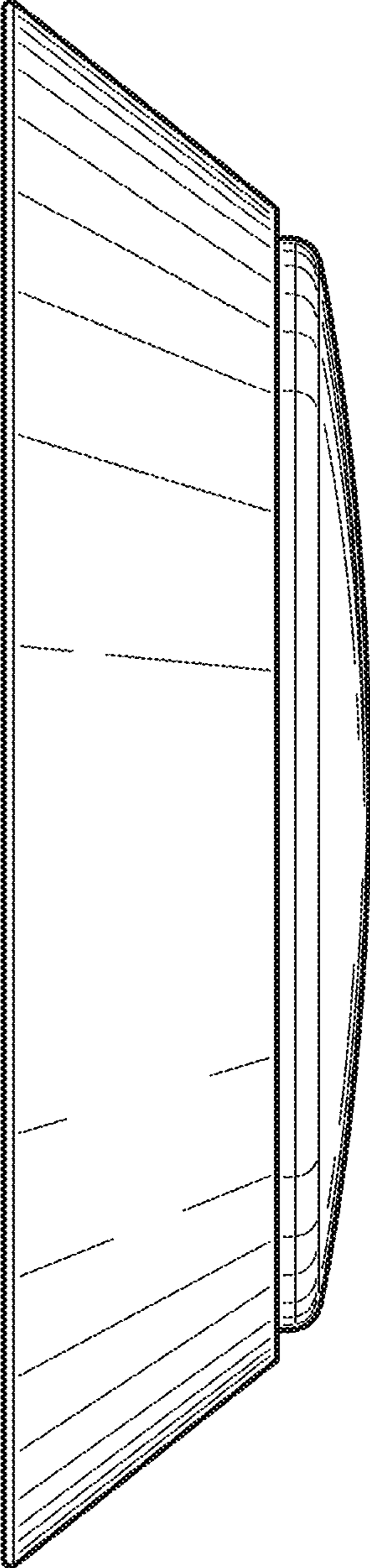


FIG. 2

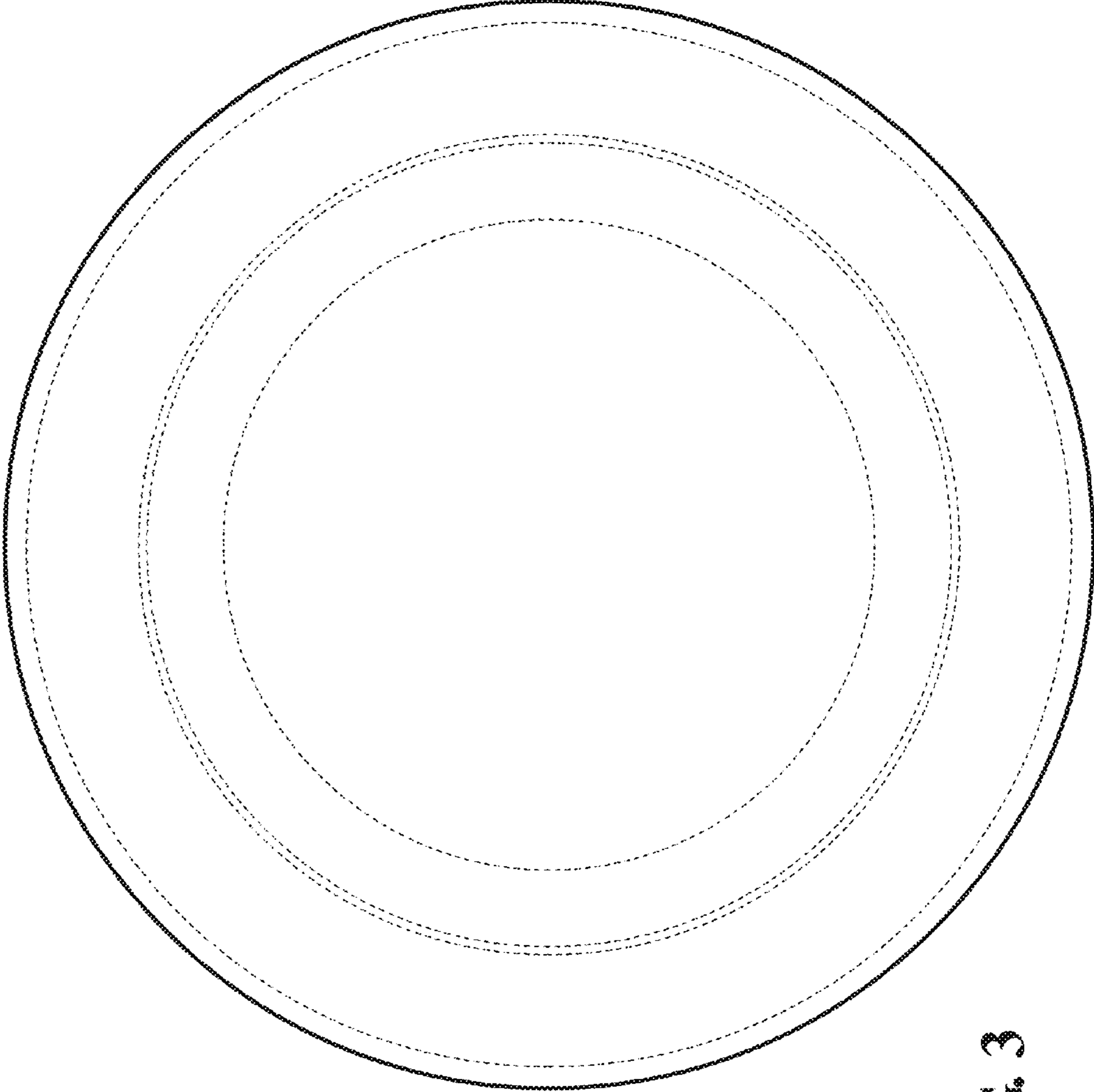


FIG. 3

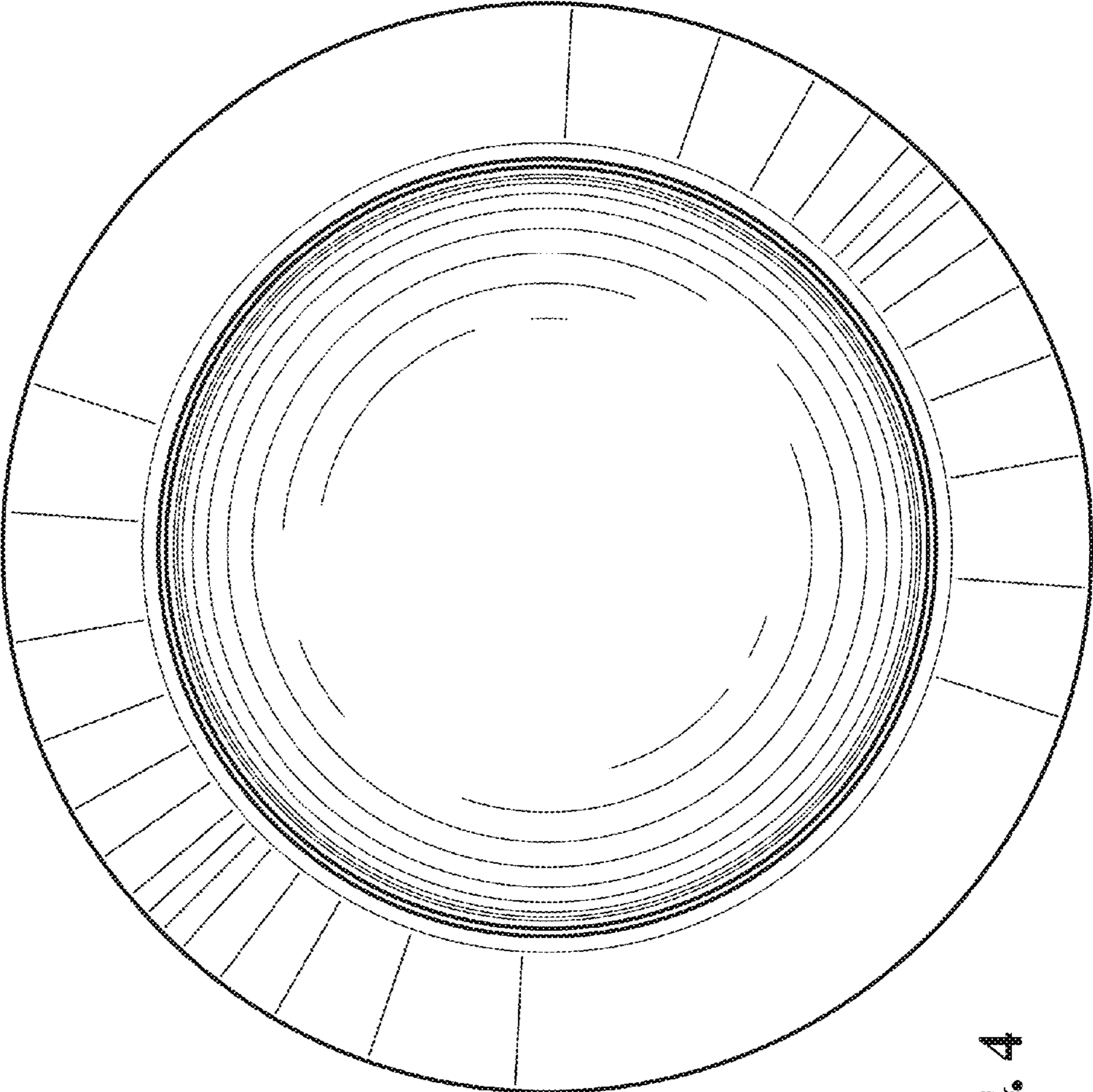


FIG. 4