



US00D691761S

(12) **United States Design Patent**
Pratt et al.

(10) **Patent No.:** **US D691,761 S**
(45) **Date of Patent:** **** Oct. 15, 2013**

- (54) **LAMP**
- (71) Applicant: **Cree, Inc.**, Durham, NC (US)
- (72) Inventors: **Spencer Scott Pratt**, Cary, NC (US);
Nathan Ray Snell, Raleigh, NC (US);
James Michael Lay, Apex, NC (US)
- (73) Assignee: **Cree, Inc.**, Durham, NC (US)
- (**) Term: **14 Years**
- (21) Appl. No.: **29/433,382**
- (22) Filed: **Sep. 28, 2012**
- (51) **LOC (9) Cl.** **26-05**
- (52) **U.S. Cl.**
USPC **D26/74**
- (58) **Field of Classification Search**
USPC D26/24, 72, 80, 81, 83, 85, 88, 89,
D26/91, 113, 118, 123, 124, 138, 74, 76;
362/145, 146, 147, 148, 150, 153, 294, 296.01,
362/296.07, 296.08, 311.07, 311.09, 311.1,
362/345, 364, 365, 366, 373
See application file for complete search history.

- D640,820 S * 6/2011 Hopper D26/74
- 8,100,559 B2 * 1/2012 Meadows et al. 362/260
- D656,262 S * 3/2012 Yoshinobu et al. D26/74
- D658,802 S * 5/2012 Chen D26/74
- D668,809 S * 10/2012 Rashidi D26/74
- D669,620 S * 10/2012 Rashidi D26/74
- 2010/0039829 A1 * 2/2010 Tsai 362/373

* cited by examiner

Primary Examiner — Angela J Lee

(74) *Attorney, Agent, or Firm* — Dennis J. Williamson;
Moore & Van Allen PLLC

(57) **CLAIM**

We claim the ornamental design for a lamp, as shown and described.

DESCRIPTION

FIG. 1 is a front view showing our new design for a lamp;
 FIG. 2 is a right side view showing our new design shown in FIG. 1;
 FIG. 3 is a left side view showing our new design shown in FIG. 1;
 FIG. 4 is a back view showing our new design shown in FIG. 1;
 FIG. 5 is a top view showing our new design shown in FIG. 1;
 FIG. 6 is a bottom view showing our new design shown in FIG. 1; and,
 FIG. 7 is a perspective view showing our new design shown in FIG. 1.

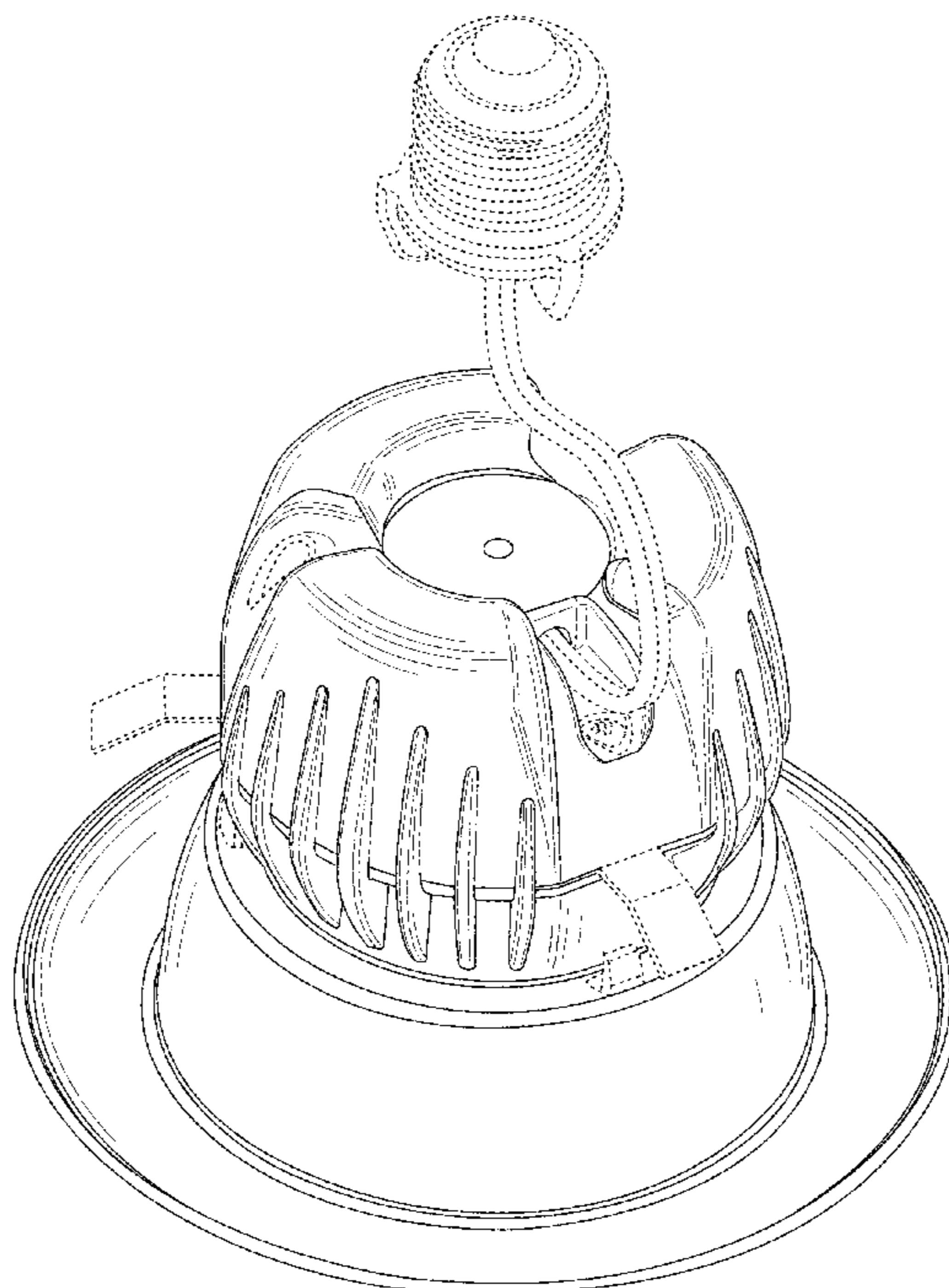
The portions shown in broken lines are not part of the claimed design but show the environment in which the design is associated.

1 Claim, 7 Drawing Sheets

(56) **References Cited**

U.S. PATENT DOCUMENTS

- D320,862 S * 10/1991 Moeller et al. D26/24
- D326,537 S * 5/1992 Gattari D26/74
- D591,894 S * 5/2009 Flank D26/74
- D595,005 S * 6/2009 Chou D26/74
- 7,722,227 B2 * 5/2010 Zhang et al. 362/364
- D624,691 S * 9/2010 Zhang et al. D26/138



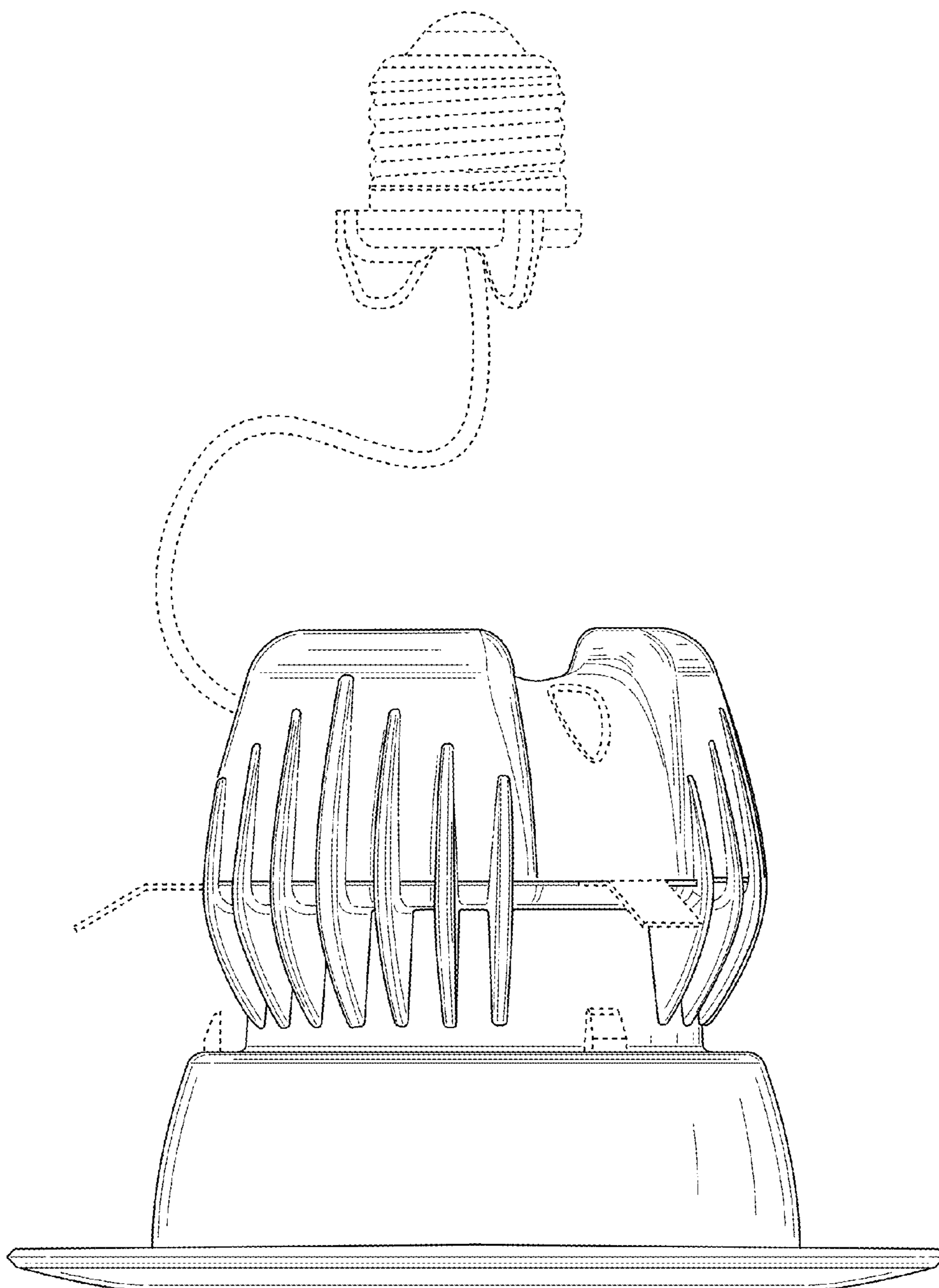


FIG. 1

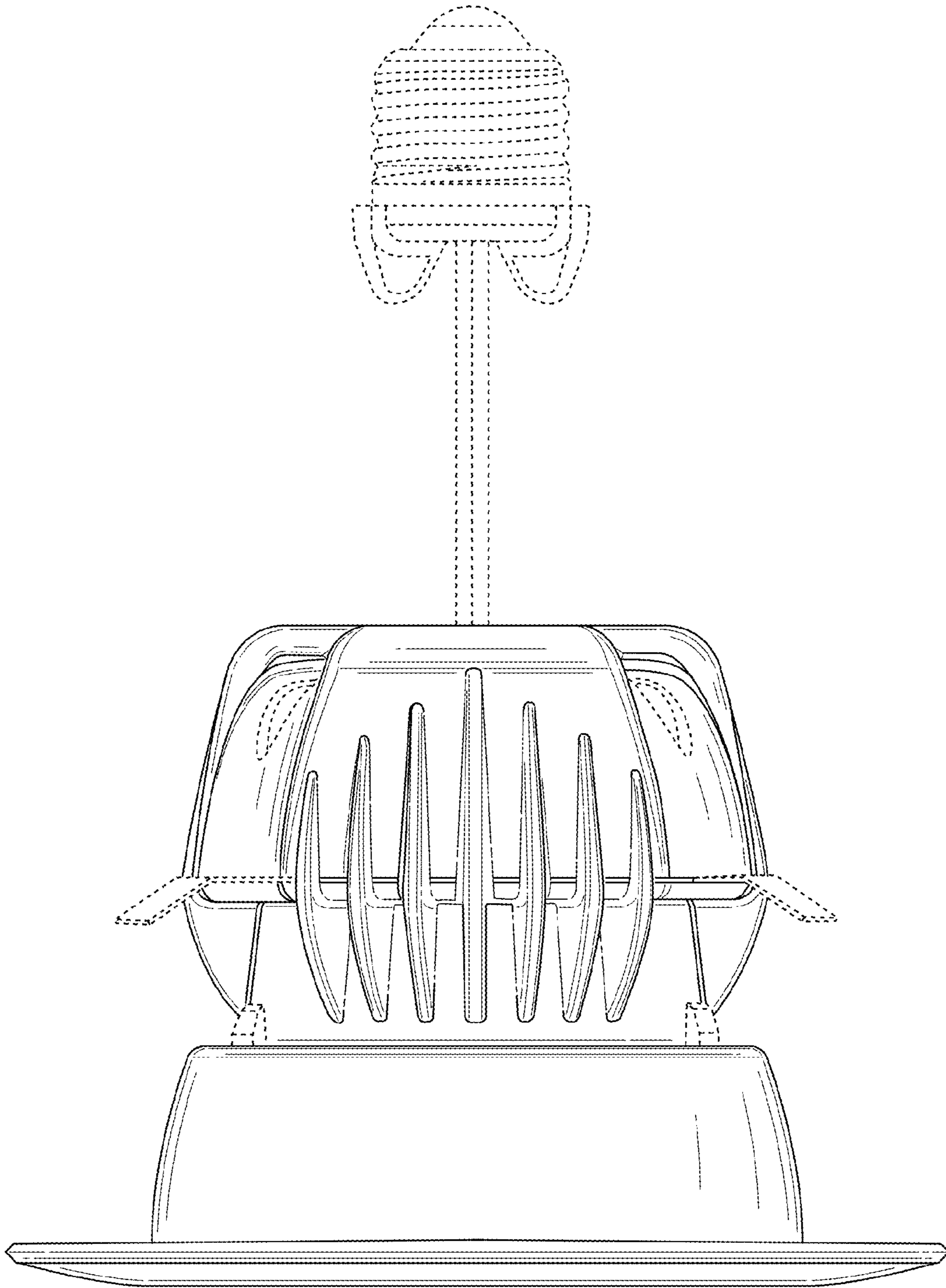


FIG. 2

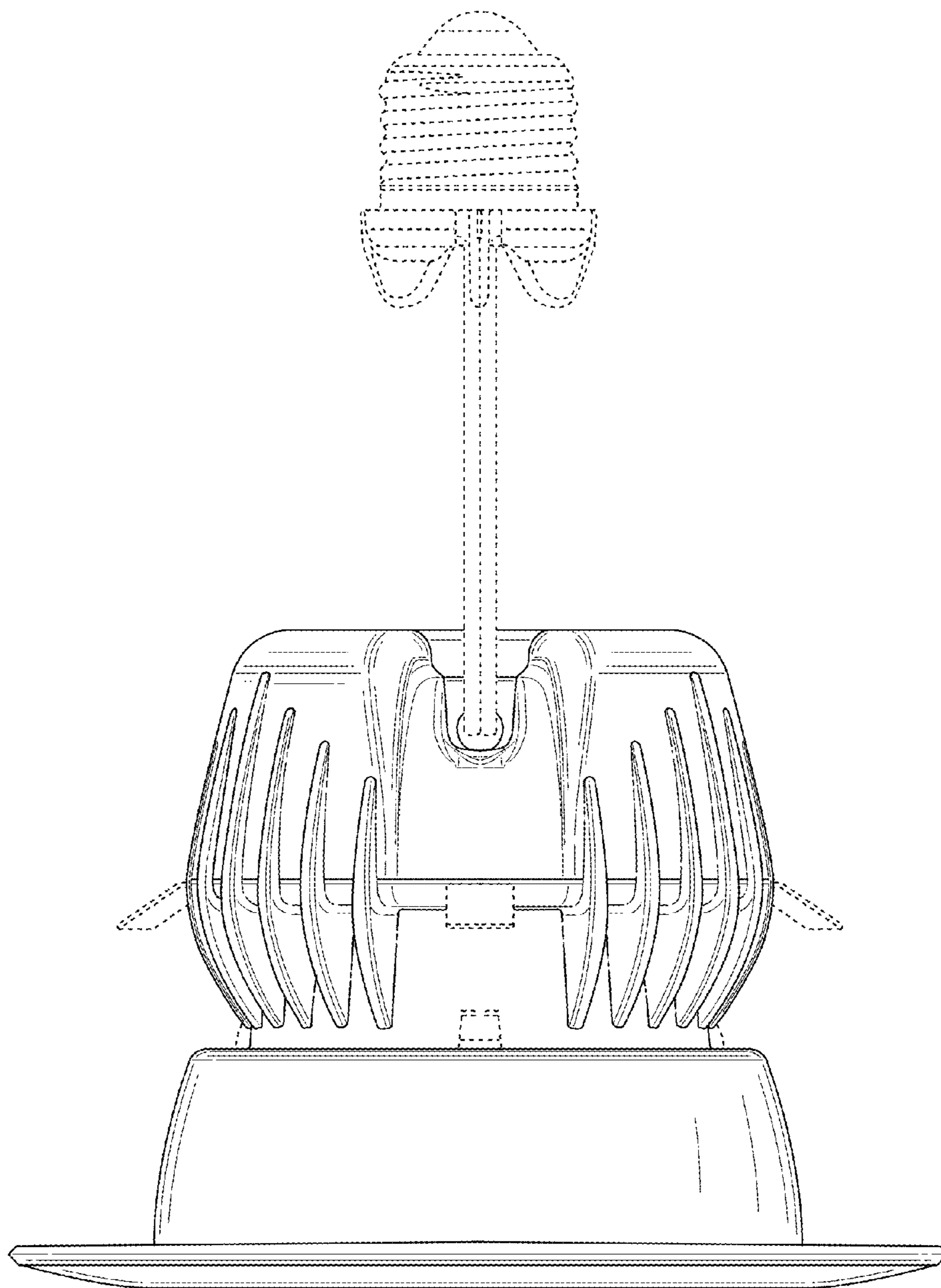


FIG. 3

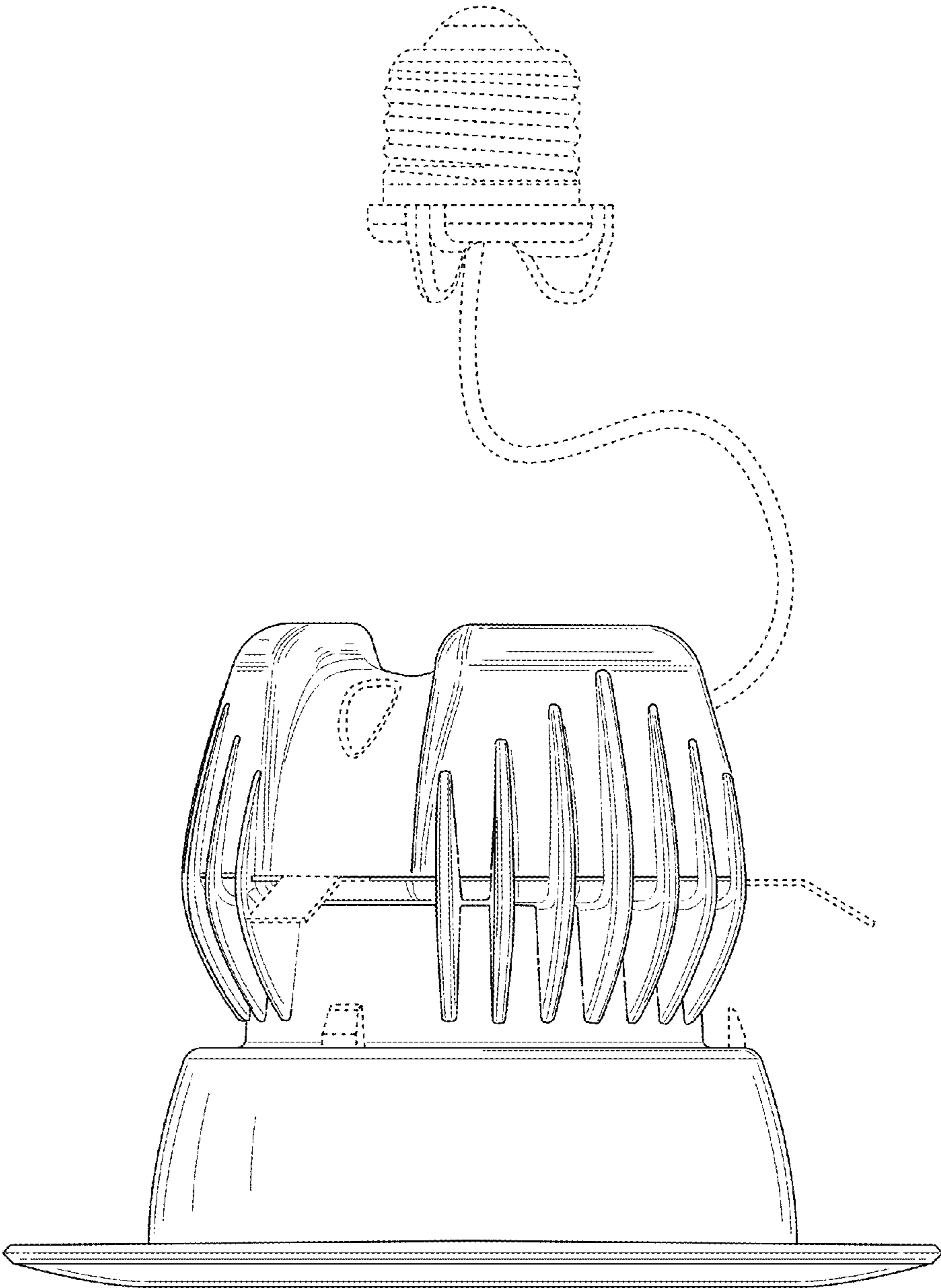


FIG. 4

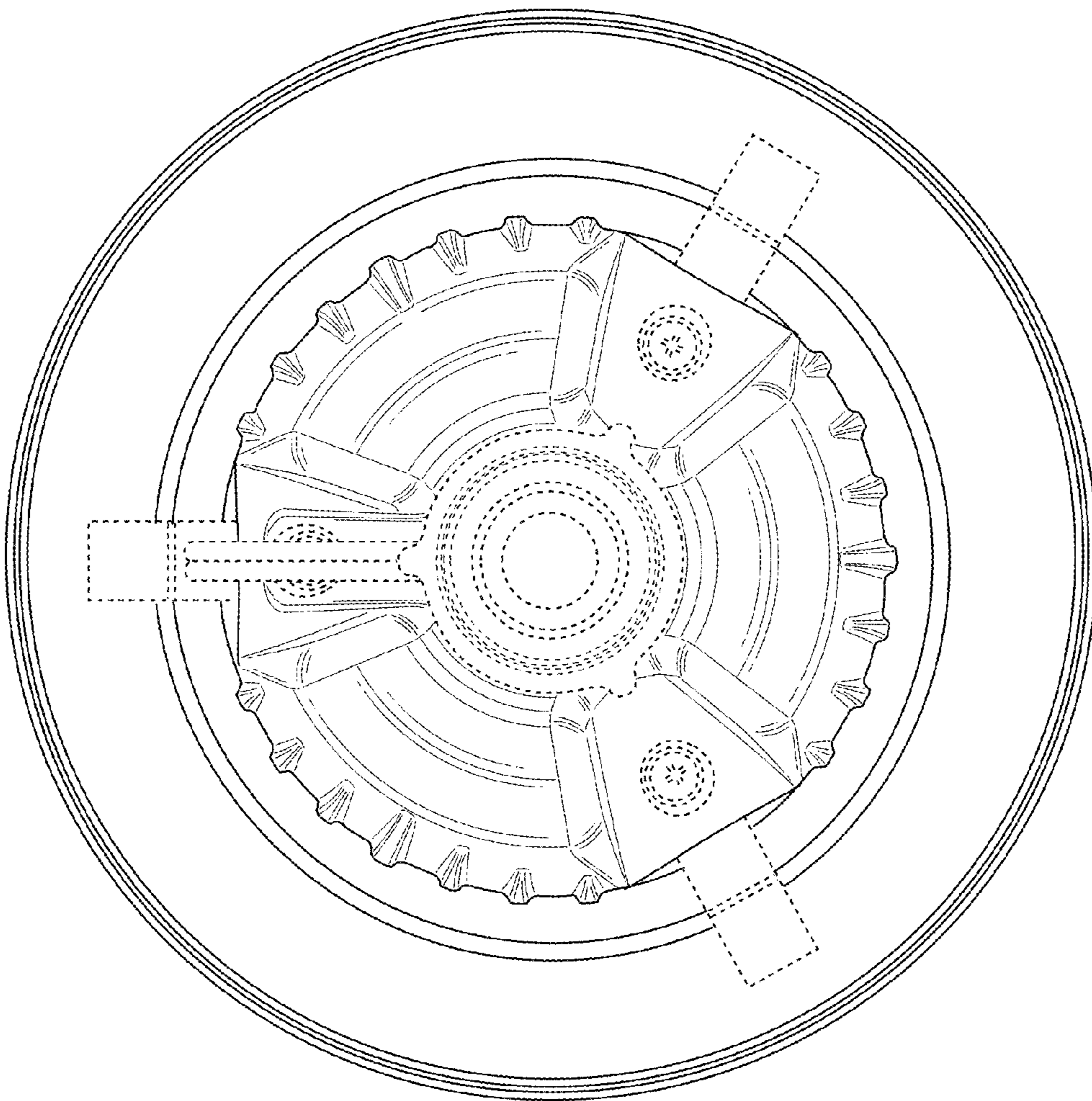


FIG. 5

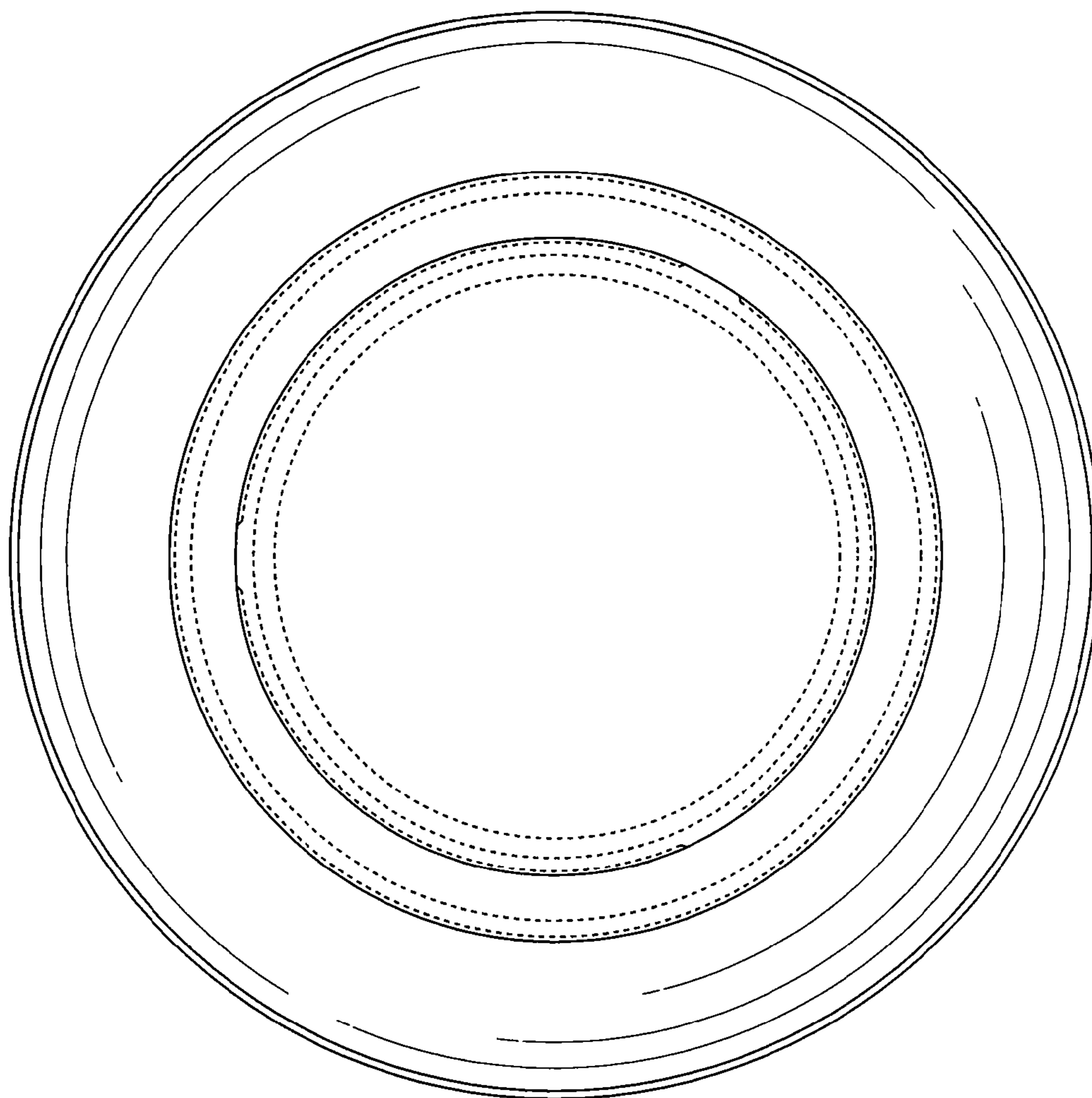


FIG. 6

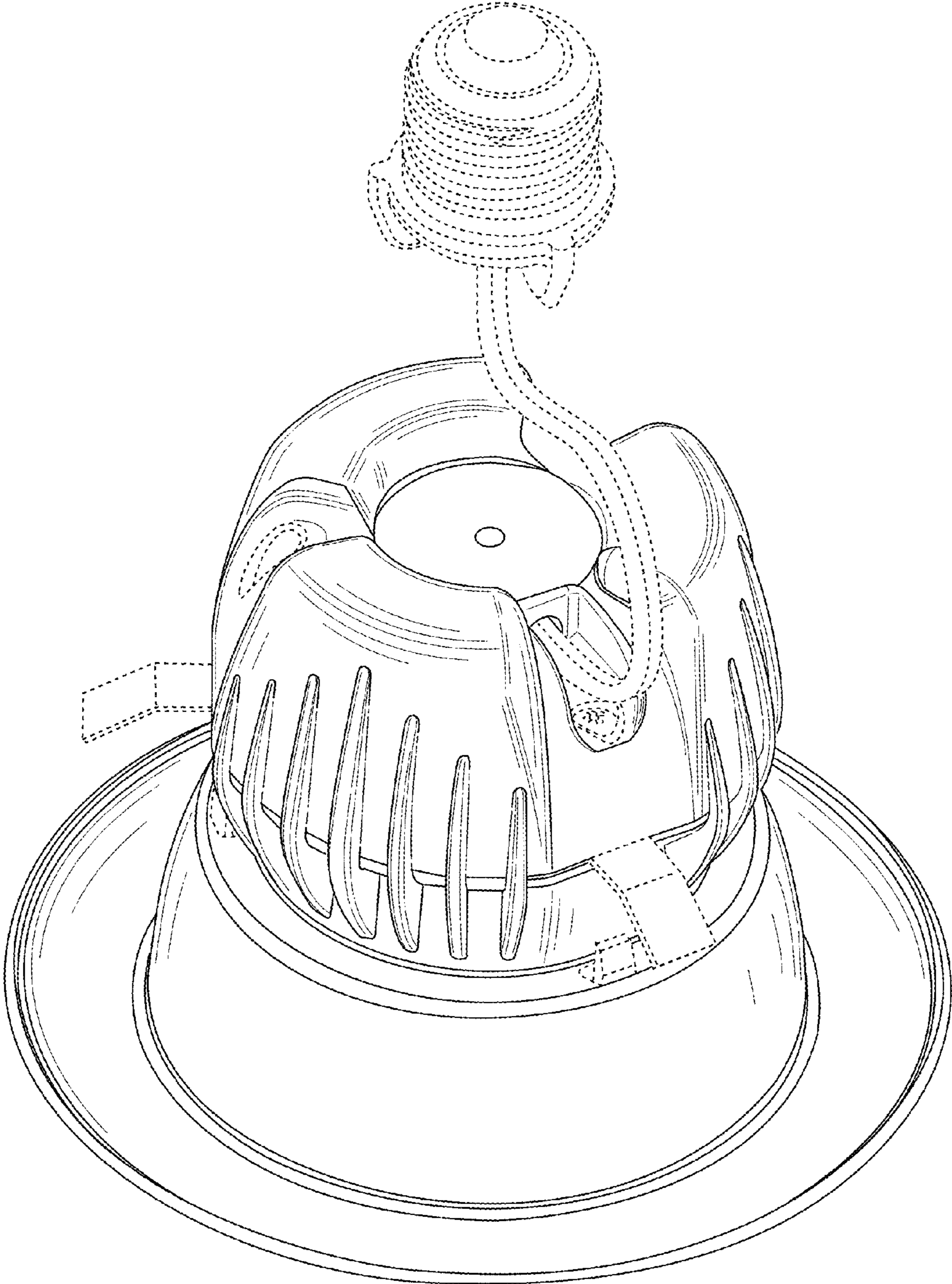


FIG. 7