



US00D691760S

(12) **United States Design Patent**
Lopez et al.

(10) **Patent No.:** **US D691,760 S**
(45) **Date of Patent:** **** Oct. 15, 2013**

(54) **LIGHT FIXTURE**
(75) Inventors: **Peter E. Lopez**, Cary, NC (US); **James Michael Lay**, Cary, NC (US); **Patrick O’Flaherty**, Morrisville, NC (US)
(73) Assignee: **Cree, Inc.**, Durham, NC (US)
(**) Term: **14 Years**
(21) Appl. No.: **29/410,481**
(22) Filed: **Jan. 9, 2012**
(51) **LOC (9) Cl.** **26-05**
(52) **U.S. Cl.**
USPC **D26/74**
(58) **Field of Classification Search**
USPC D26/24, 72, 80, 81, 83, 85, 88, 89,
D26/91, 113, 118, 123, 124, 138, 74, 76;
362/145, 146, 147, 148, 150, 153, 294, 296.01,
362/296.07, 296.08, 311.07, 311.09, 311.1,
362/345, 364, 365, 366, 373
See application file for complete search history.

2012/0212957 A1* 8/2012 Hyun et al. 362/241
* cited by examiner
Primary Examiner — Angela J Lee
(74) *Attorney, Agent, or Firm* — Steven B. Philips; Moore & Van Allen PLLC

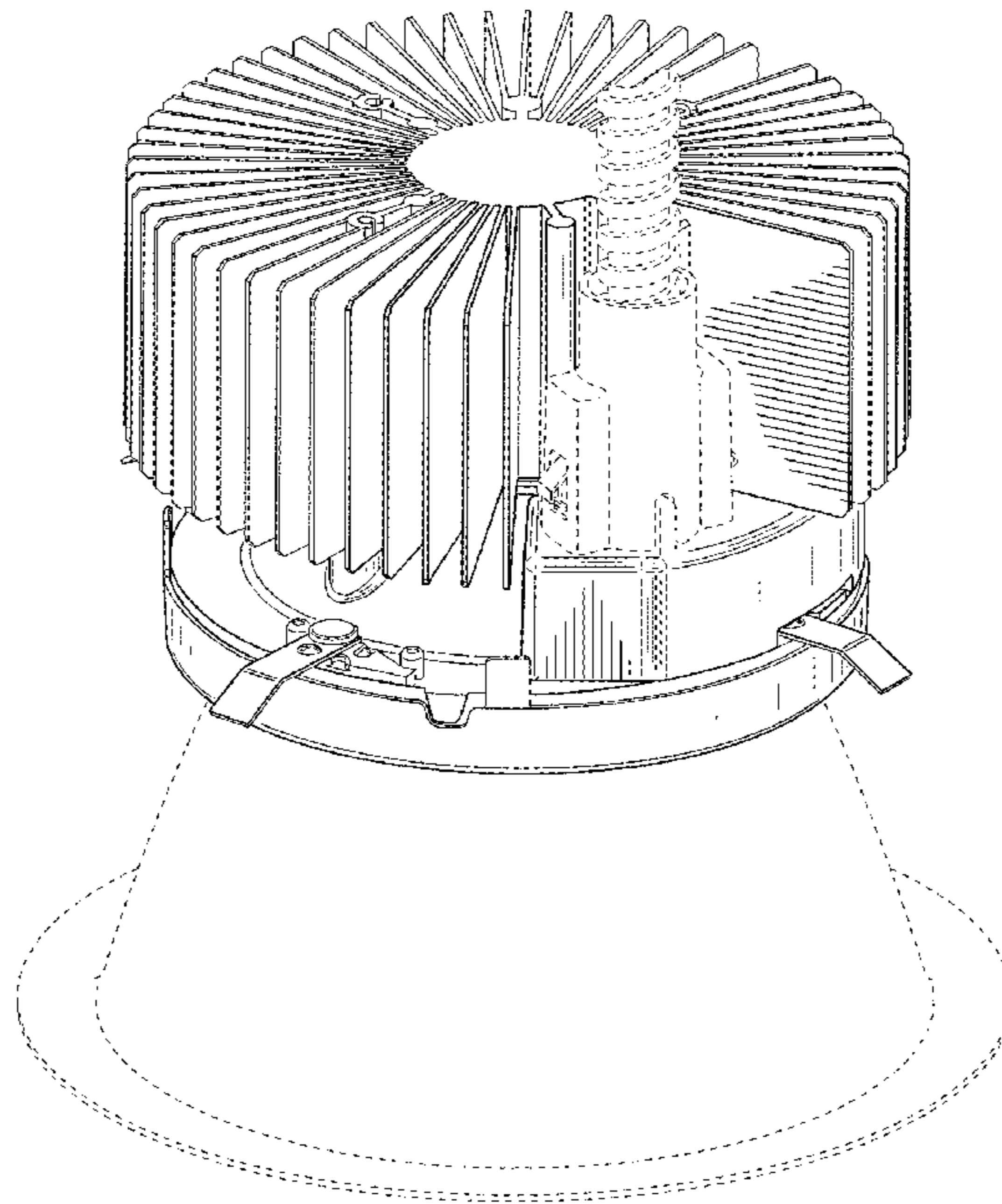
(57) **CLAIM**
We claim the ornamental design for a light fixture, as shown and described.

DESCRIPTION

FIG. 1 is a top perspective view showing an embodiment of our design for a light fixture. In this view, as well is in other views for this embodiment, a trim portion and a screw portion of the fixture are shown in dotted lines because these portions are not part of the claim for this embodiment.
FIG. 2 is a side view of the embodiment of our design shown in FIG. 1.
FIG. 3 is another side view of the embodiment of our design as shown in FIG. 1.
FIG. 4 is another side view of the embodiment of our design as shown in FIG. 1.
FIG. 5 is another side view of the embodiment of our design as shown in FIG. 1.
FIG. 6 is a top view of the embodiment of our design shown in FIG. 1.
FIG. 7 is a bottom view of the embodiment of our design shown in FIG. 1; and,
FIG. 8 is a bottom perspective view of the embodiment of our design shown in FIG. 1.
The broken lines shown in the drawings represent portion of the light fixture that form no part of the claimed design.

(56) **References Cited**
U.S. PATENT DOCUMENTS
D596,330 S * 7/2009 Pickard et al. D26/74
D601,293 S * 9/2009 MacKenzie D26/74
D636,921 S * 4/2011 Van de Ven et al. D26/74
D668,809 S * 10/2012 Rashidi D26/74
8,308,319 B2 * 11/2012 Kong et al. 362/235
D672,905 S * 12/2012 Kong D26/113
2009/0046464 A1 * 2/2009 Liu et al. 362/294
2009/0147517 A1 * 6/2009 Li et al. 362/249.02
2010/0226139 A1 * 9/2010 Lynch et al. 362/373
2010/0259919 A1 * 10/2010 Khazi et al. 362/84
2011/0075411 A1 * 3/2011 Van De Ven et al. 362/235
2011/0222291 A1 * 9/2011 Peng 362/294

1 Claim, 8 Drawing Sheets



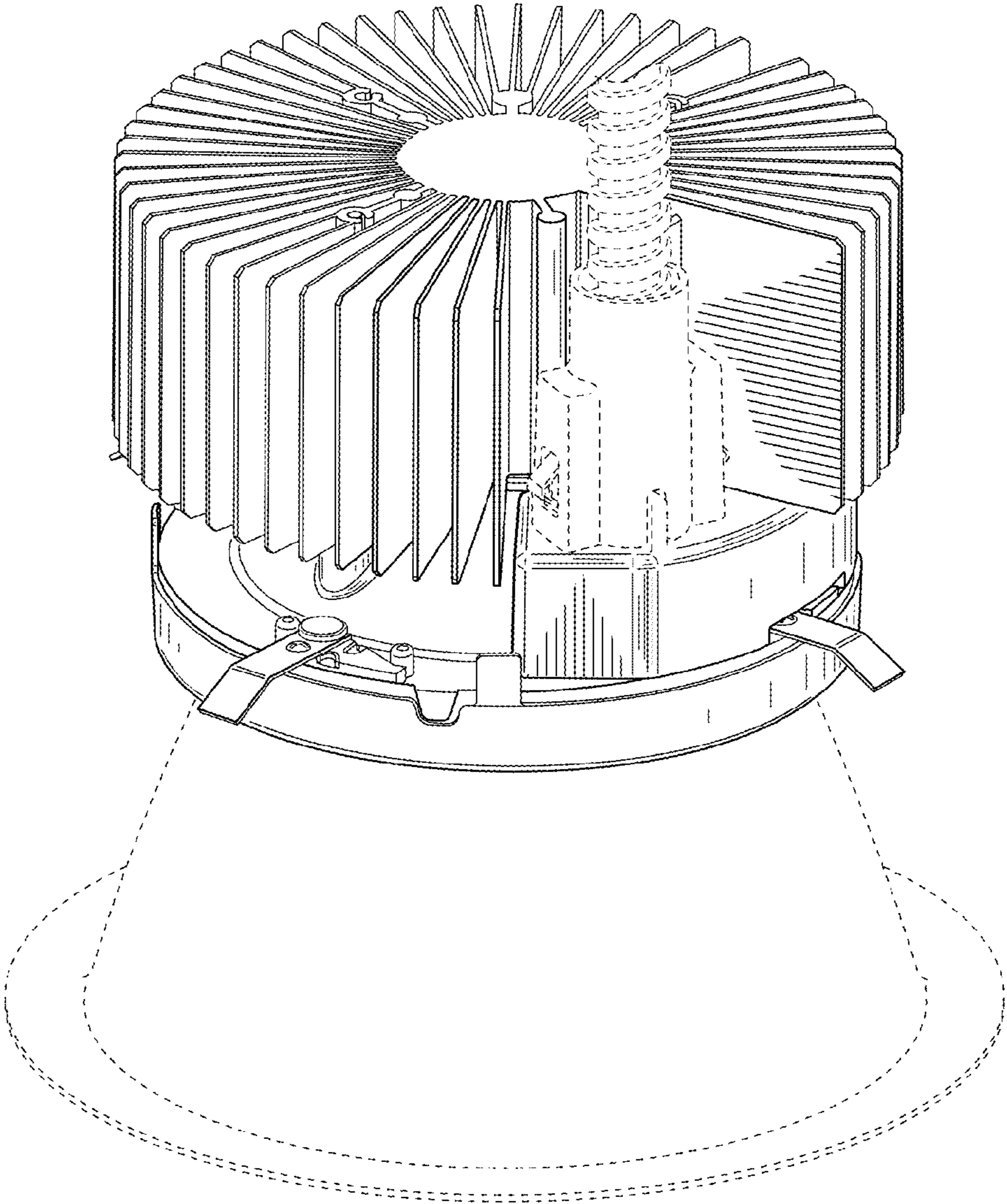


FIG. 1

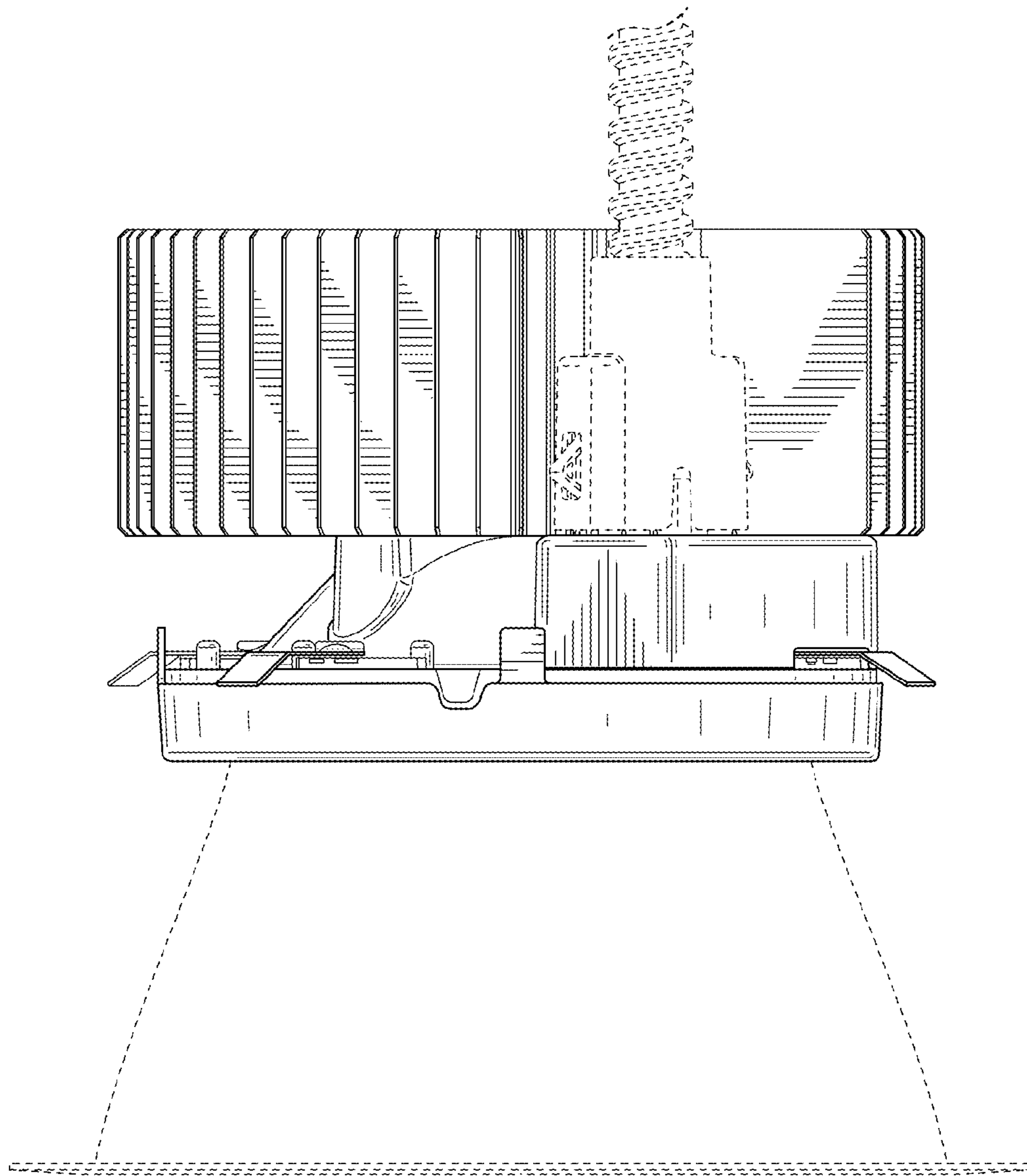


FIG. 2

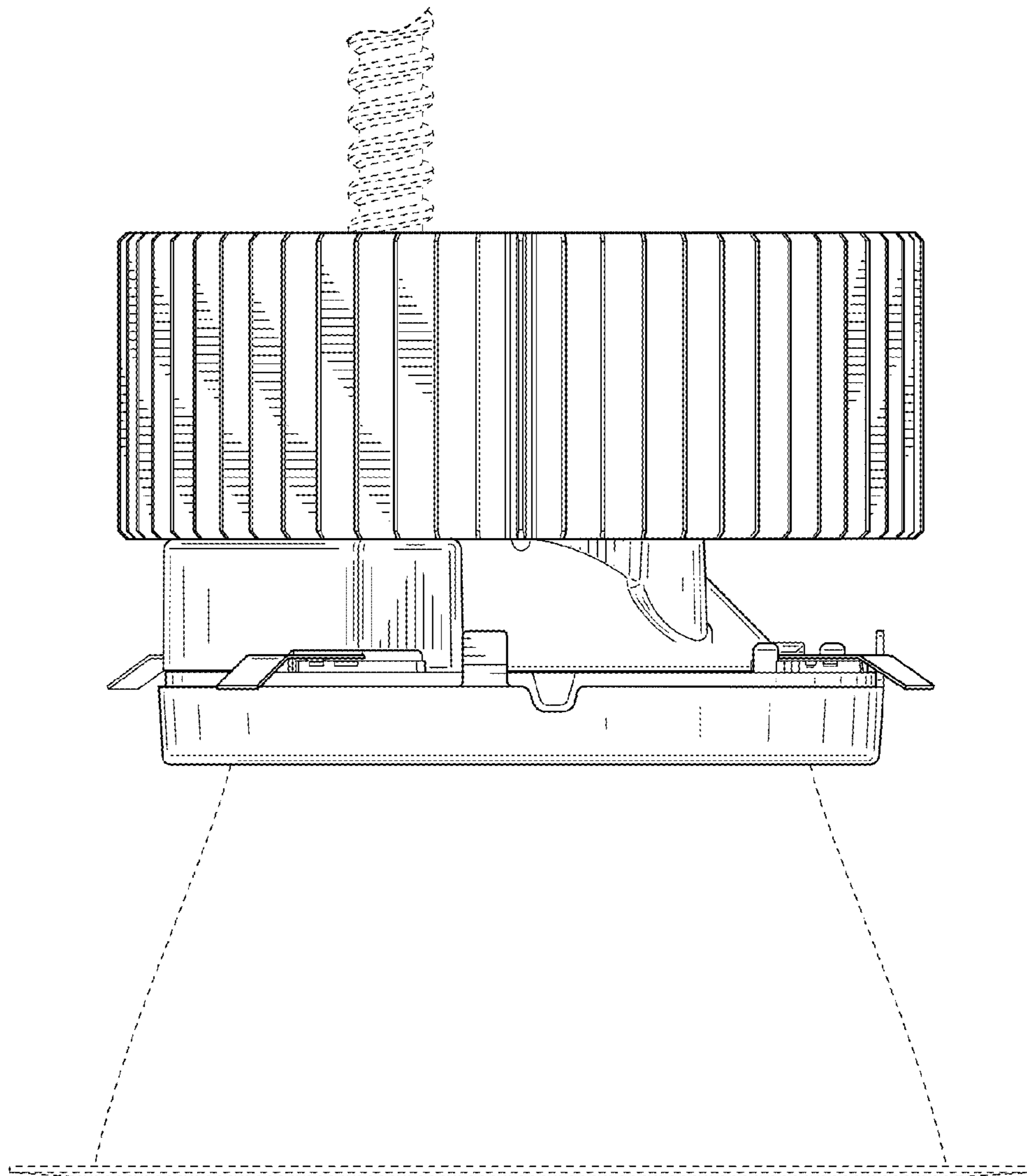


FIG. 3

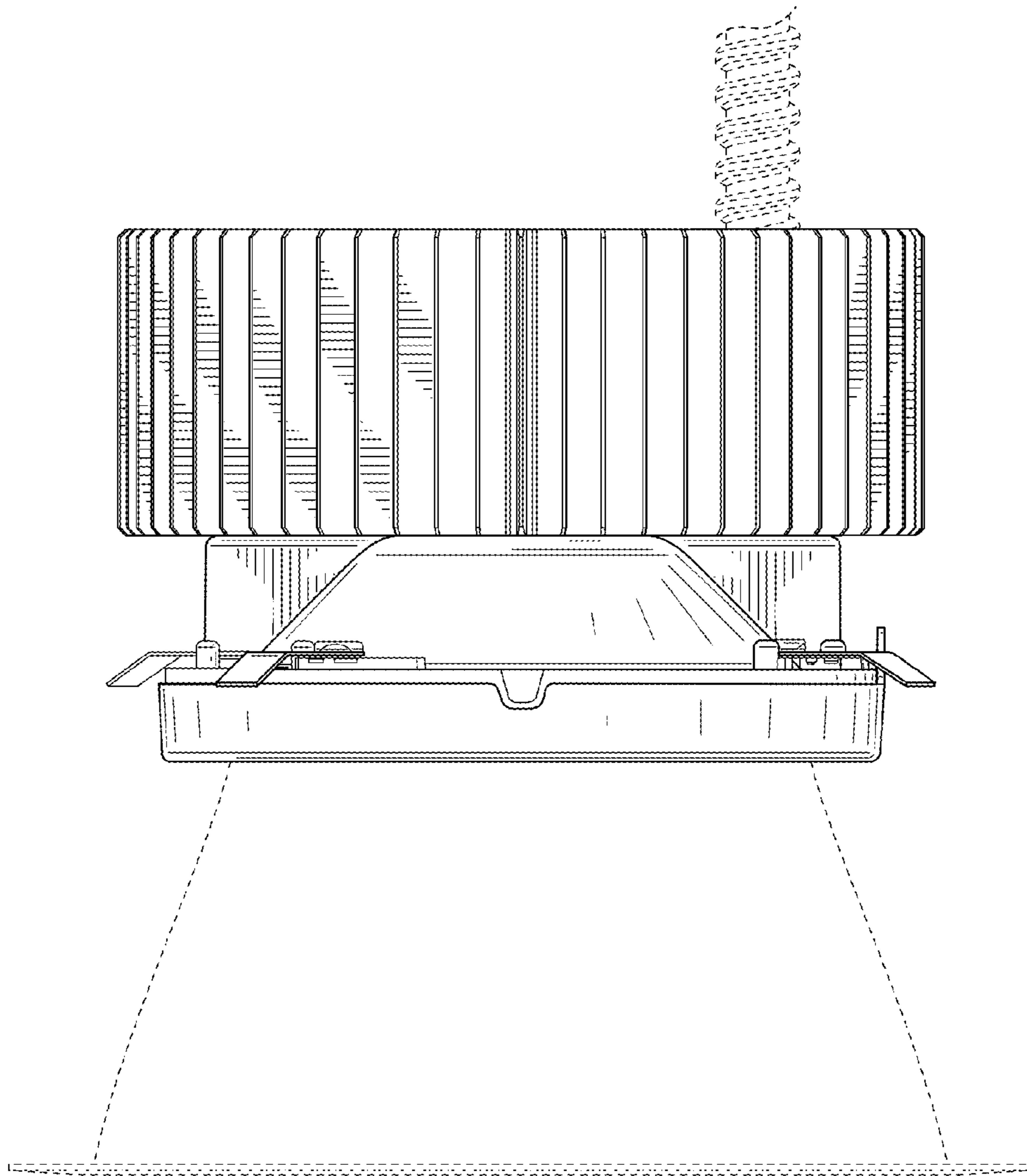


FIG. 4

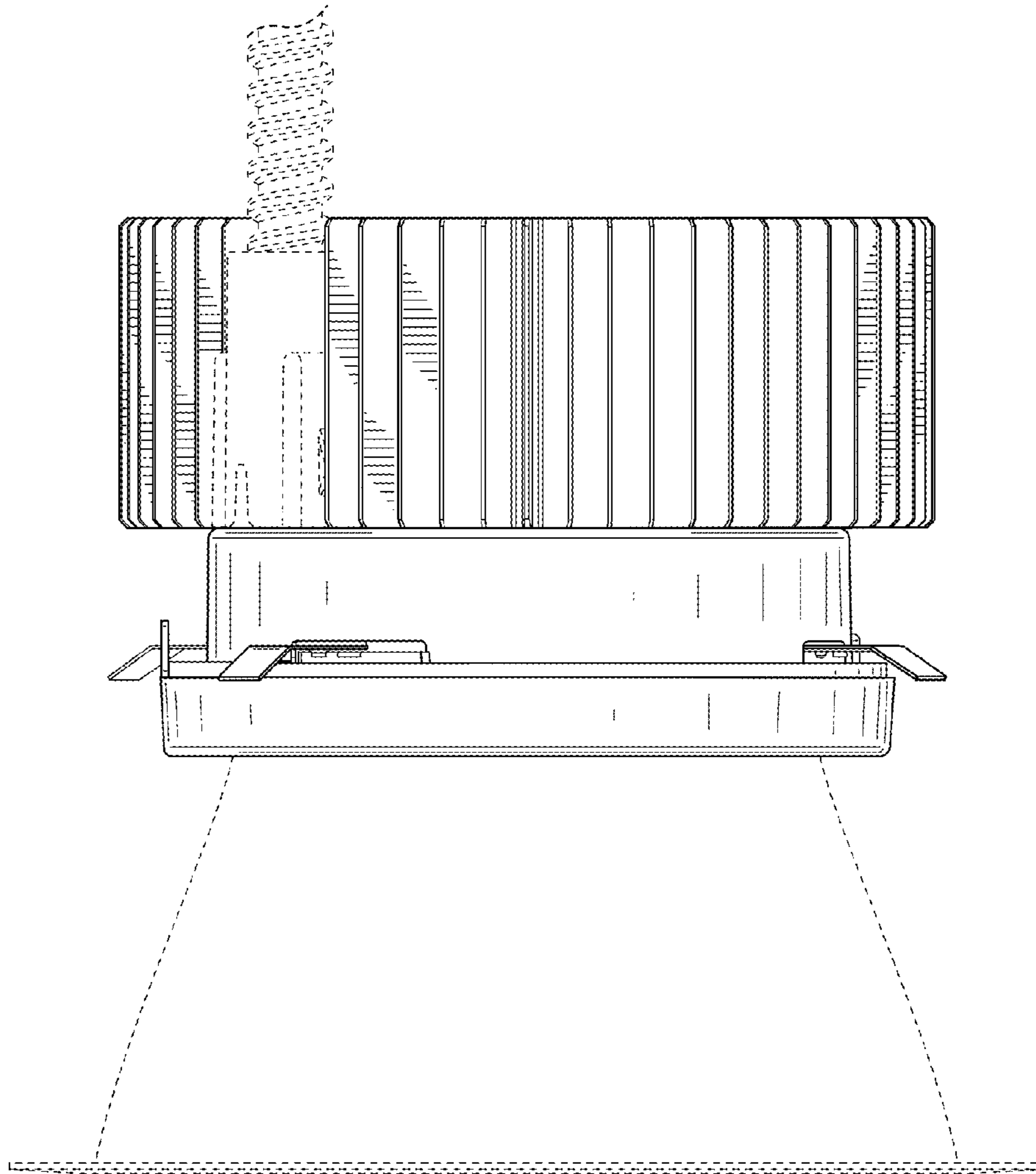


FIG. 5

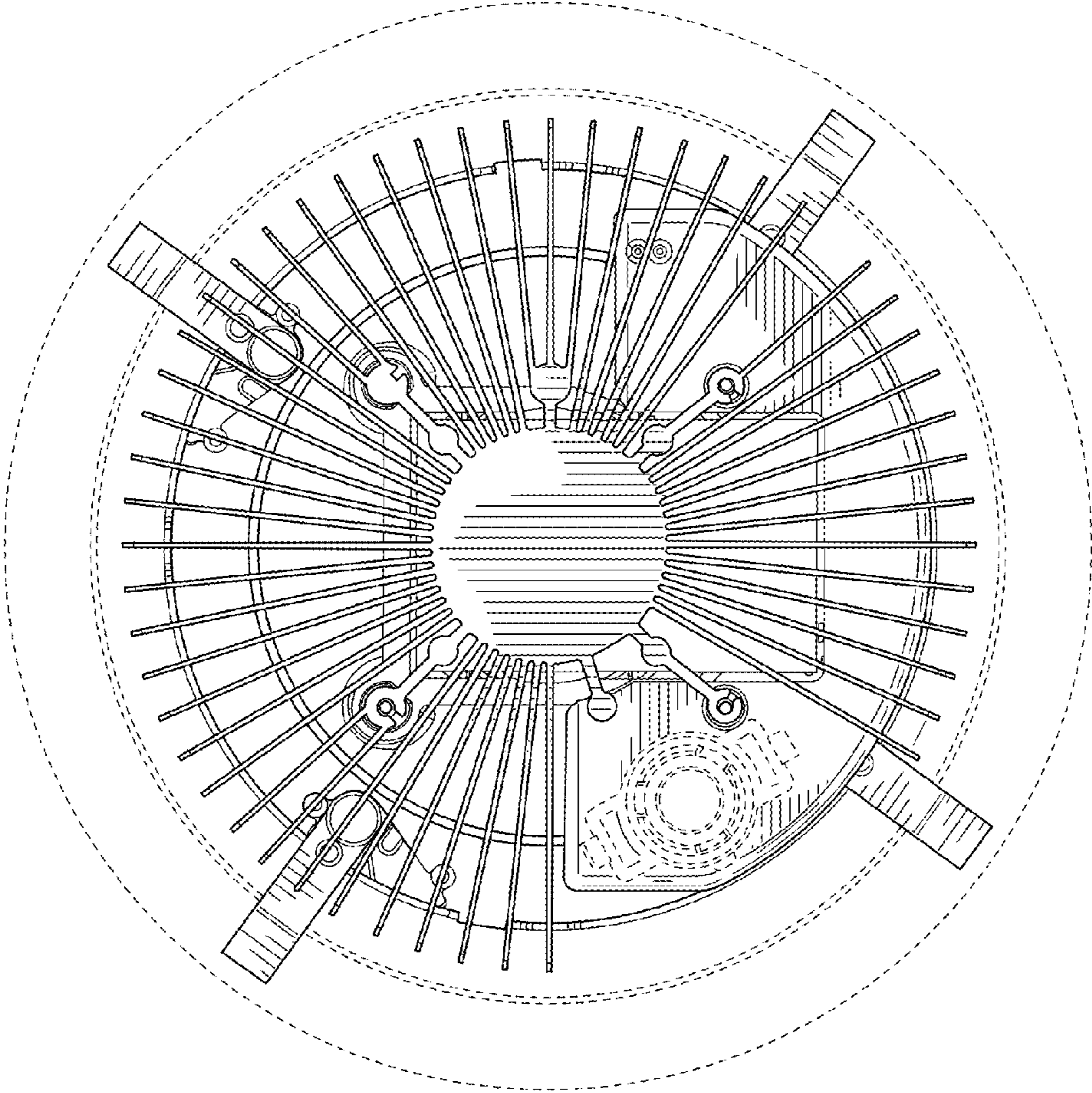


FIG. 6

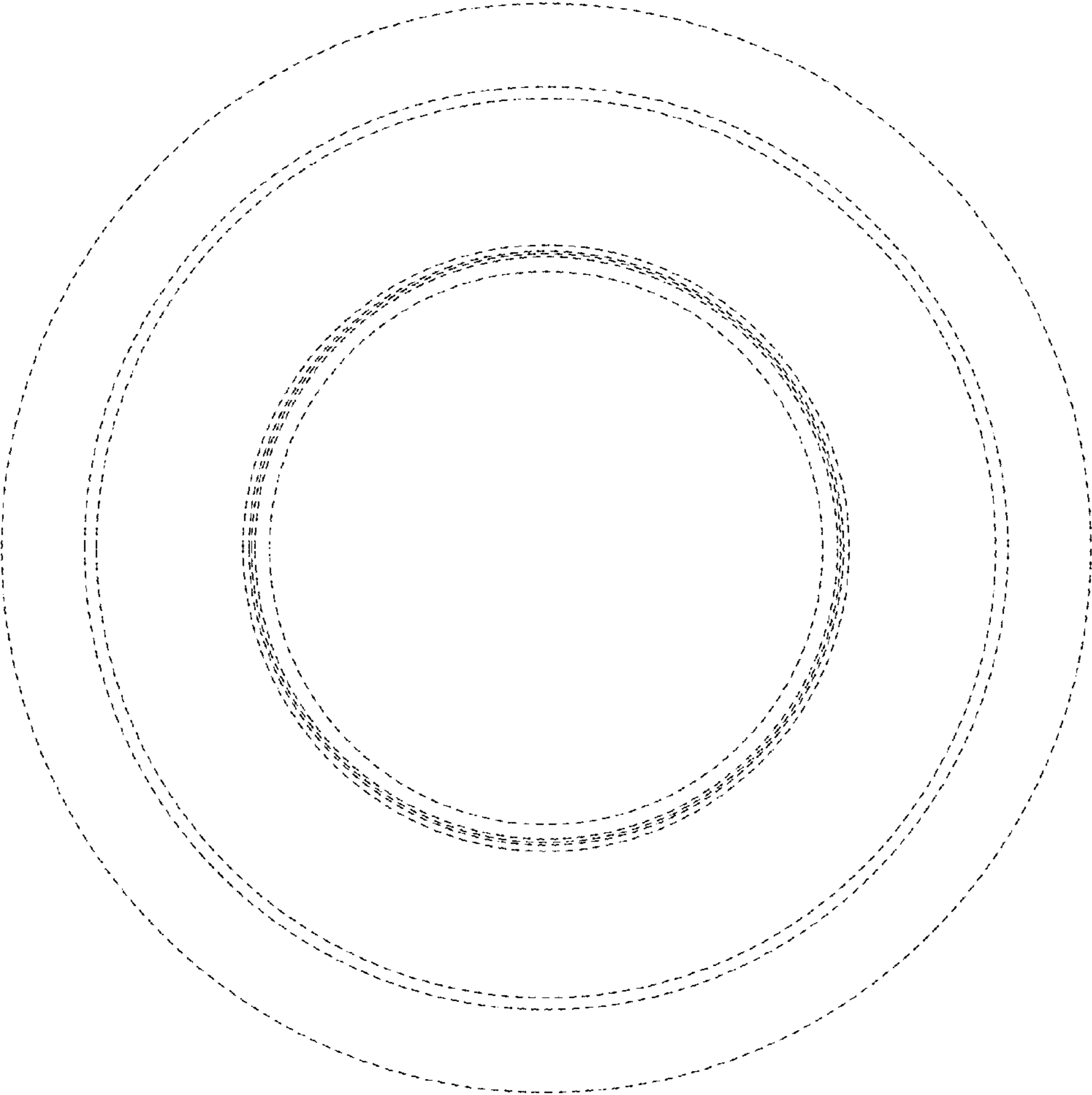


FIG. 7

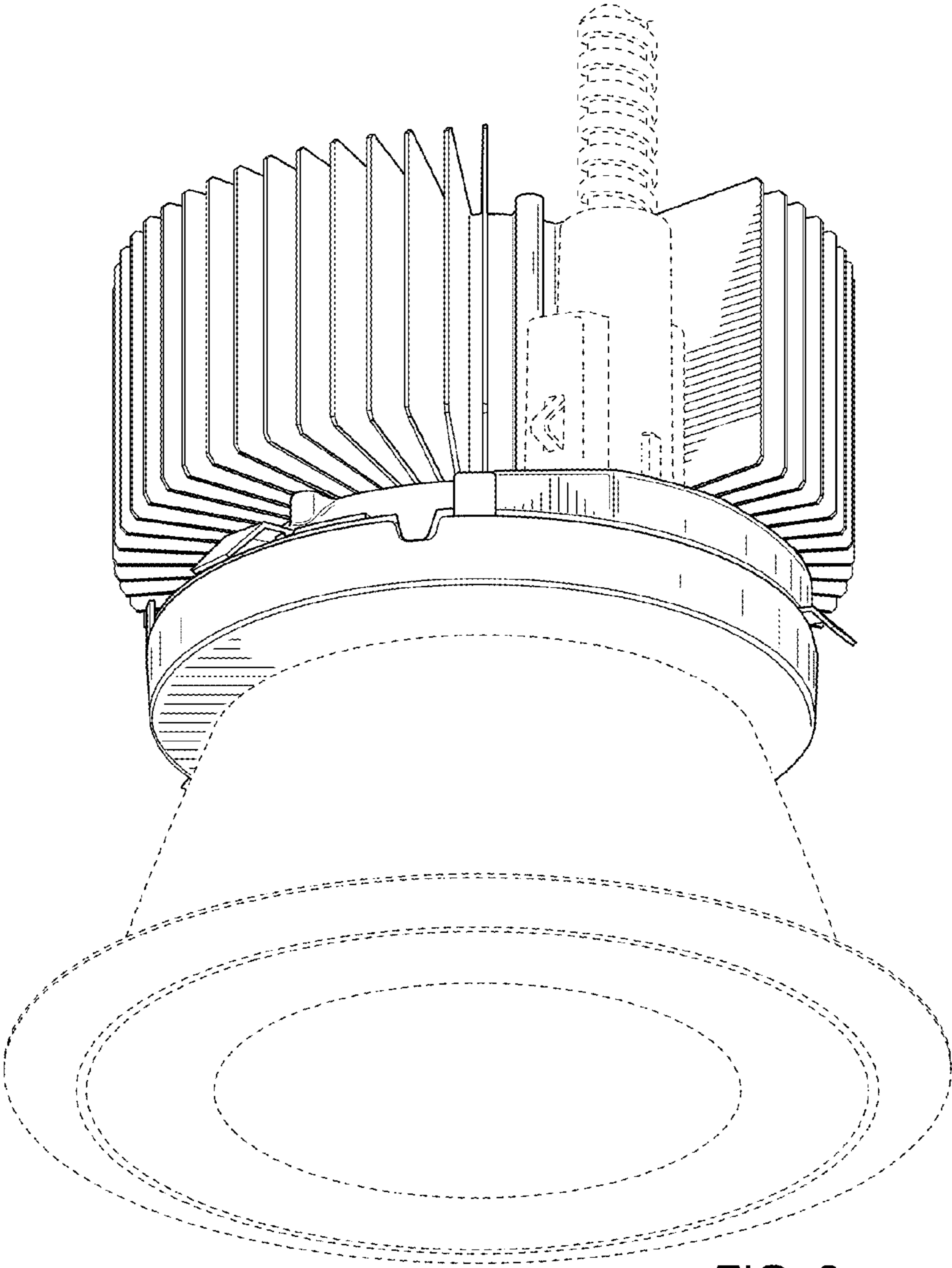


FIG. 8