



US00D691759S

(12) **United States Design Patent**
Boyer et al.

(10) **Patent No.:** **US D691,759 S**
(45) **Date of Patent:** **** Oct. 15, 2013**

(54) **LIGHTING FIXTURE**

(71) Applicant: **LSI Industries, Inc.**, Cincinnati, OH
(US)

(72) Inventors: **John D. Boyer**, Lebanon, OH (US); **Earl G. Boertlein, II**, Cleves, OH (US)

(73) Assignee: **LSI Industries, Inc.**, Cincinnati, OH
(US)

(**) Term: **14 Years**

(21) Appl. No.: **29/435,638**

(22) Filed: **Oct. 26, 2012**

(51) **LOC (9) Cl.** **26-05**

(52) **U.S. Cl.**
USPC **D26/71**

(58) **Field of Classification Search**
USPC D26/67-72, 85, 92; 362/145, 183, 231,
362/240, 249.02, 249.03, 249.04, 249.06,
362/249.16, 373, 311.02, 697, 547, 431,
362/432
See application file for complete search history.

(56) **References Cited**

U.S. PATENT DOCUMENTS

3,183,346	A *	5/1965	Rodmaker et al.	362/218
D201,764	S *	7/1965	Mox	D26/71
D201,765	S *	7/1965	Mox	D26/71
D209,081	S *	10/1967	Netland	D26/71
D228,667	S *	10/1973	Anderson, Jr.	D26/71
D323,897	S *	2/1992	Compton	D26/24
D543,306	S *	5/2007	Volkens	D26/71
D574,994	S	8/2008	Boyer	
7,434,959	B1 *	10/2008	Wang	362/249.01
D598,160	S	8/2009	Boyer et al.	
D598,161	S	8/2009	Boyer et al.	
D603,081	S	10/2009	Boyer et al.	

D607,593	S *	1/2010	Yoo	D26/71
D610,733	S *	2/2010	Chang	D26/71
D611,188	S	3/2010	Boyer et al.	
7,695,163	B2 *	4/2010	Yamada et al.	362/294
D615,233	S *	5/2010	Josefowicz et al.	D26/71

(Continued)

OTHER PUBLICATIONS

Installation and Assembly Instructions Crossover; XAS/XAM Pole Adaptor Install, LSI Industries, 2 pages (2009).

(Continued)

Primary Examiner — Clare E Heflin

(74) *Attorney, Agent, or Firm* — McDermott Will & Emery LLP

(57) **CLAIM**

The ornamental design for a lighting fixture, as shown and described.

DESCRIPTION

FIG. 1 is a perspective view of the design of the present disclosure;

FIG. 2 is a bottom view of the design depicted in FIG. 1;

FIG. 3 is a top view of the design depicted in FIG. 1;

FIG. 4 is a right side view of the design depicted in FIG. 1;

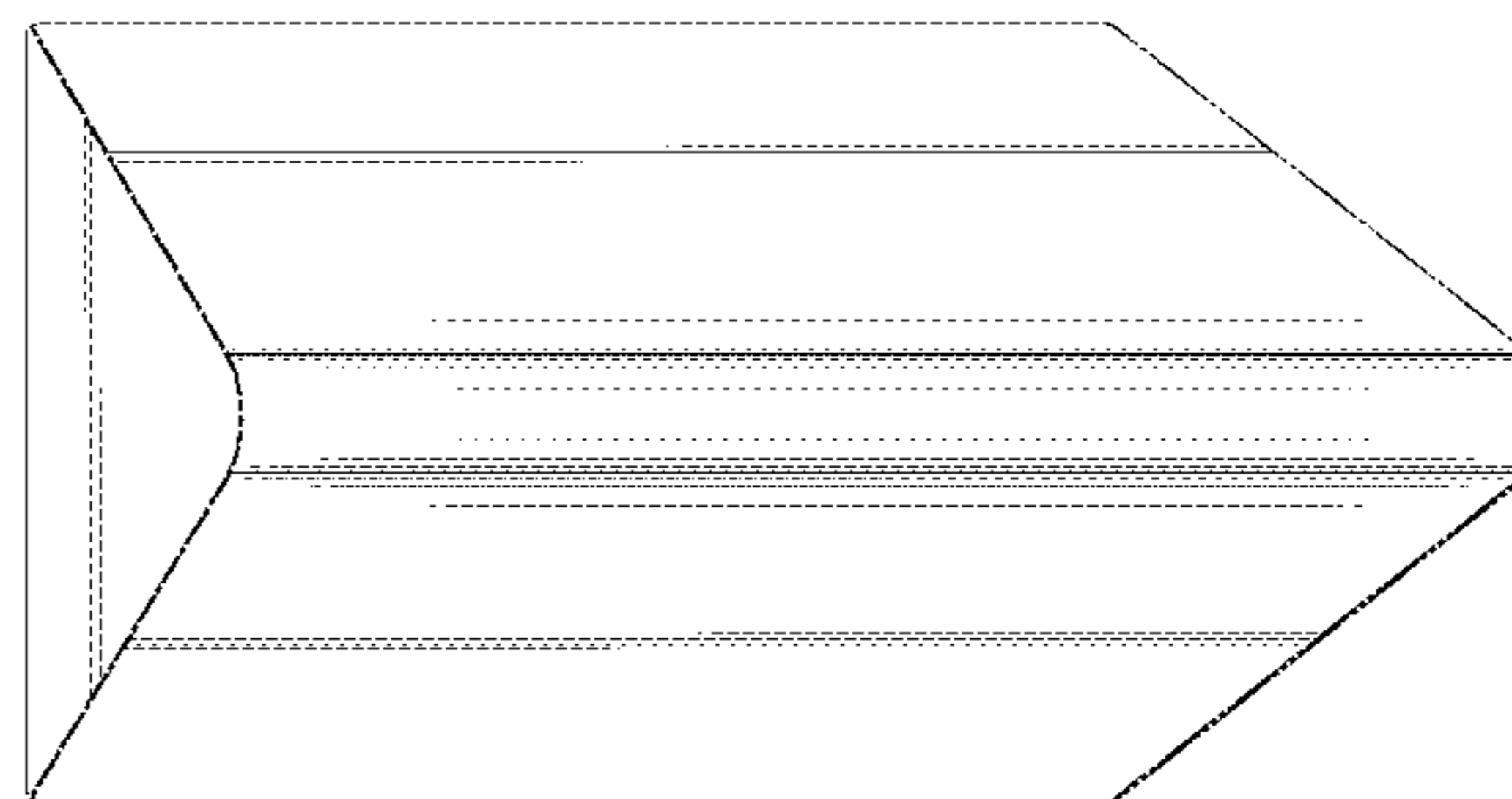
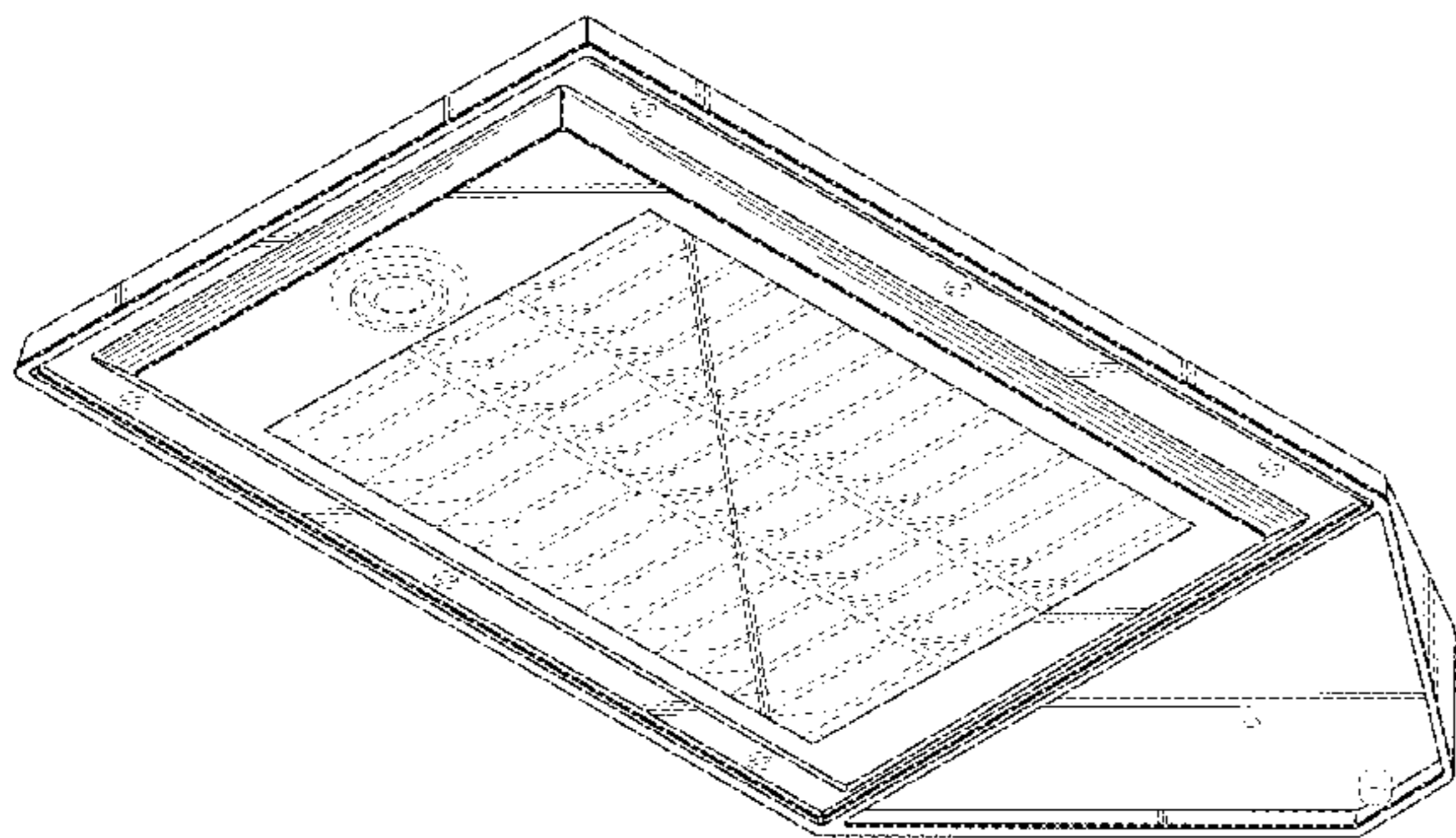
FIG. 5 is a left side view of the design depicted in FIG. 1;

FIG. 6 is a front side view of the design depicted in FIG. 1; and,

FIG. 7 is a rear side view of the design depicted in FIG. 1.

Those portions of the present invention which are presented in phantom illustrate the environment of the design only and form no part of the claimed design. Moreover, the shading presented in the accompanying drawings is provided merely to highlight the contour of the invention and is not intended to be illustrative of texture or gloss.

1 Claim, 5 Drawing Sheets



(56)

References Cited

U.S. PATENT DOCUMENTS

D616,592 S * 5/2010 Chen D26/71
7,828,456 B2 11/2010 Boyer et al.
D634,874 S * 3/2011 Yamada et al. D26/71
8,002,428 B2 8/2011 Boyer et al.
8,177,386 B2 5/2012 Boyer et al.
D663,879 S * 7/2012 Lee et al. D26/71
D672,491 S * 12/2012 Shin et al. D26/71
2009/0262542 A1 * 10/2009 Li et al. 362/373

OTHER PUBLICATIONS

Installation and Assembly Instructions; XAS/XAM & XRS/XRM Shield, LSI Industries, 1 page (2009).
Installation and Assembly Instructions, Crossover; XAS3 & XAM3 Area Series, LSI Industries, 2 pages (2010).

Installation and Assembly Instructions; XA & XR—HSS House Side Shield, LSI Industries, 1 page (2011).
Crossover LED Lighting Technology, Crossover Generation 3, LSI Industries, 20 pages (2011).
LED Area Lighting Flyer from LSI, Crossover Generation 3, LSI Industries, 2 pages (2012).
Crossover Solid State Lighting, Generation 3, LSI Industries, 10 pages (2010).
LED Area Lights—Medium (XAM3) Data Sheet, Crossover LED Lighting Technology, LSI Industries, 2 pages (2011).
XAS3/XAM3 Small & Medium LED Area Lighting, Leading Selling Features, Crossover Generation3, LSI Industries, 20 pages (2011).
LED Area Lights—Small (XAS3) Data Sheet, Crossover LED Lighting Technology, LSI Industries, 2 pages (2012).

* cited by examiner

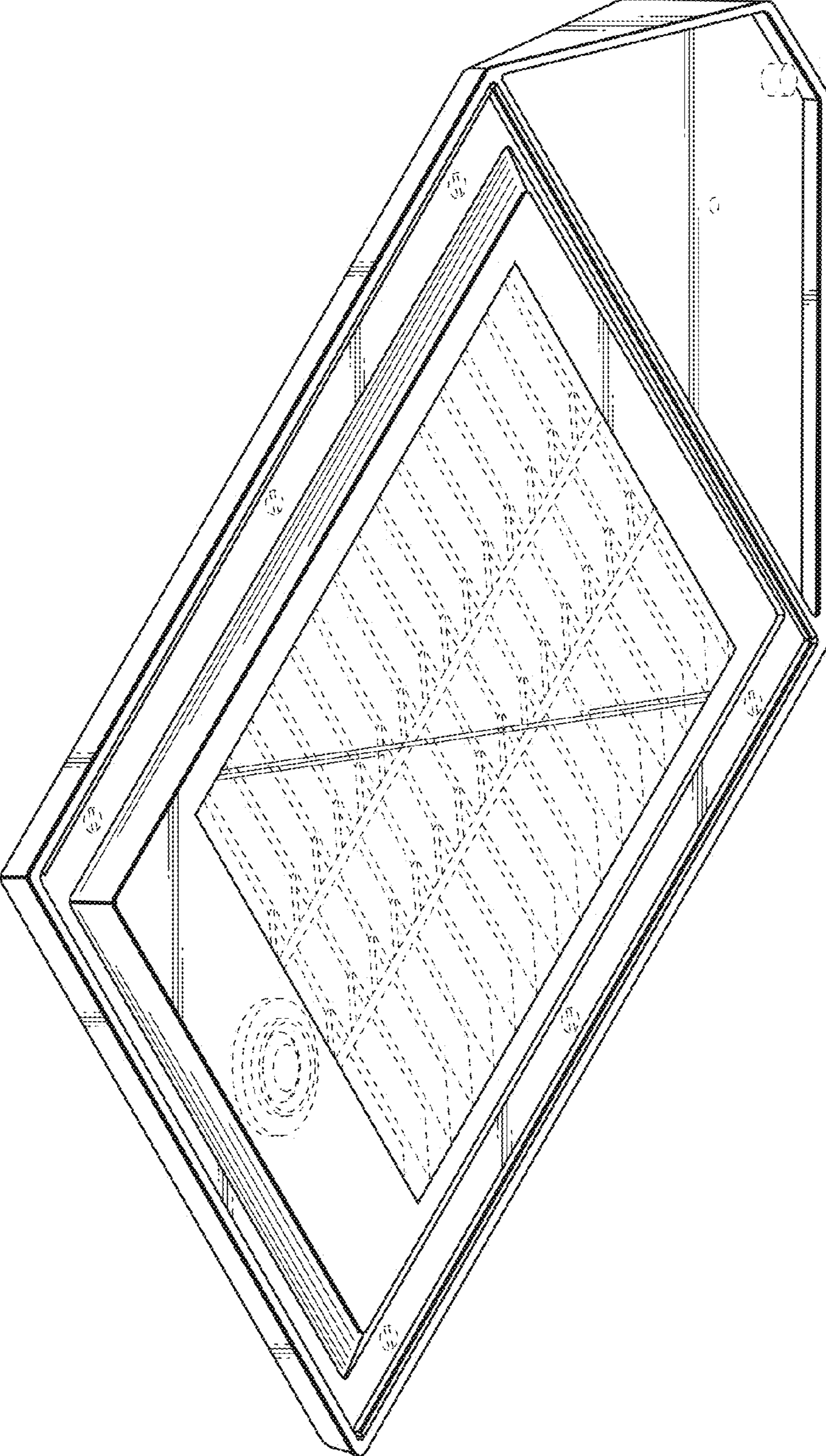


FIG. 1

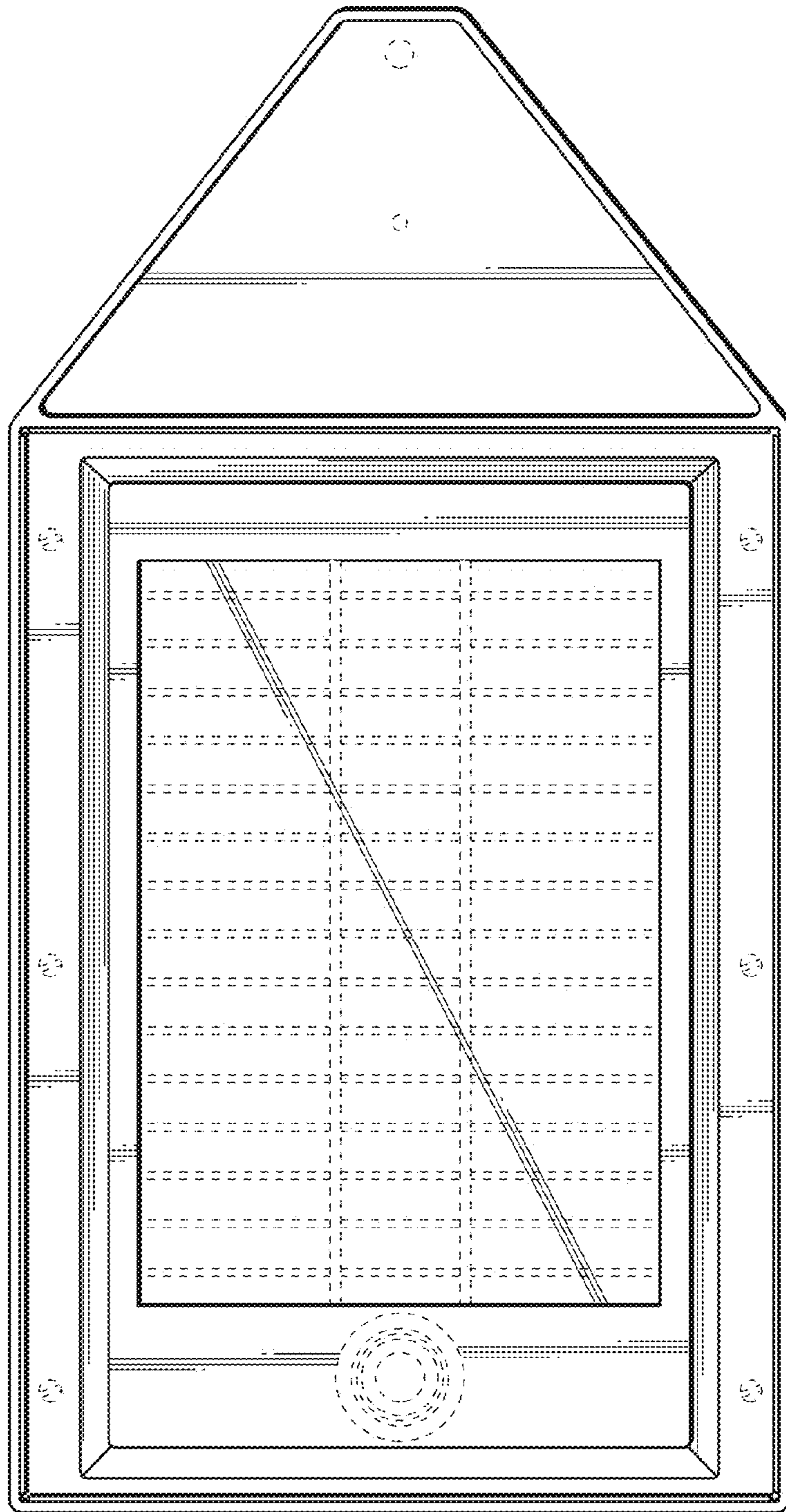


FIG. 2

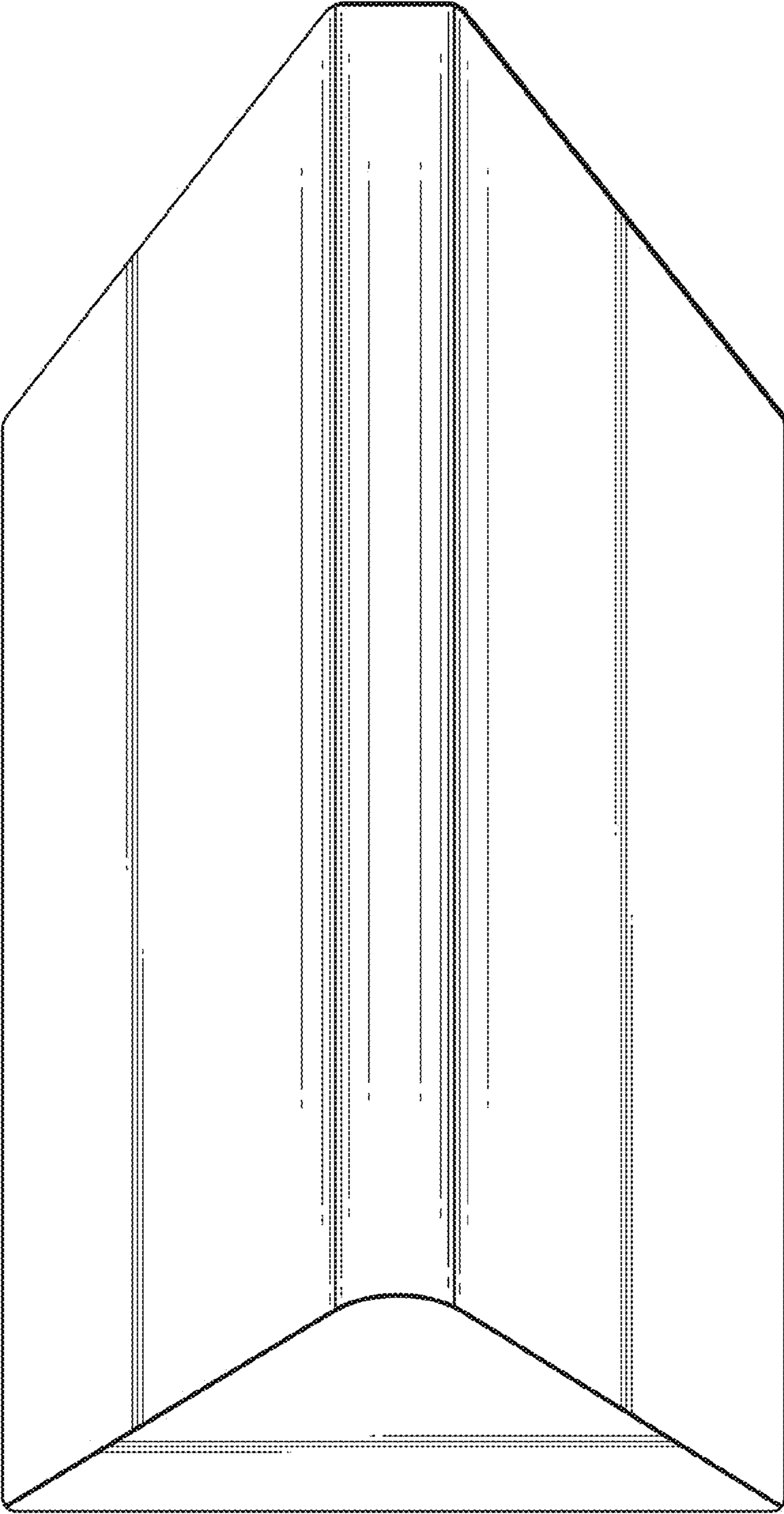


FIG. 3

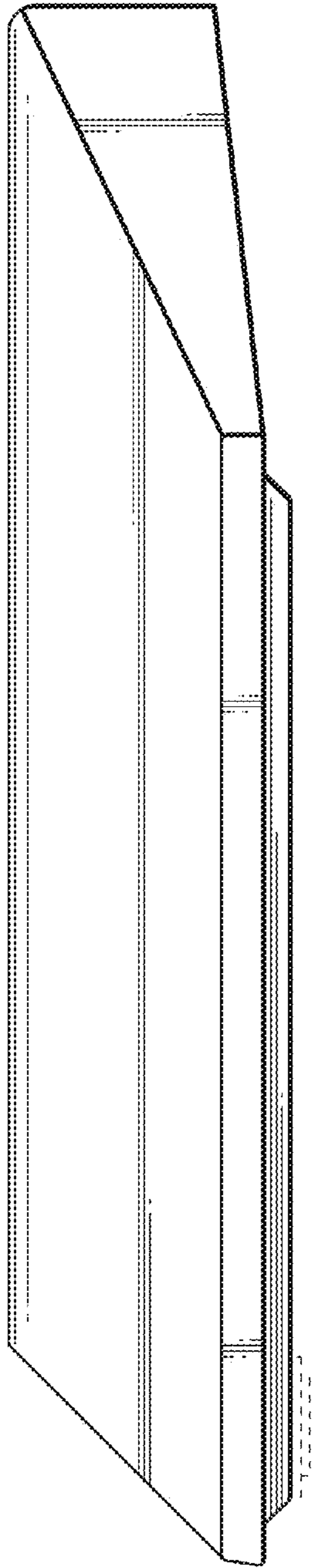


FIG. 4

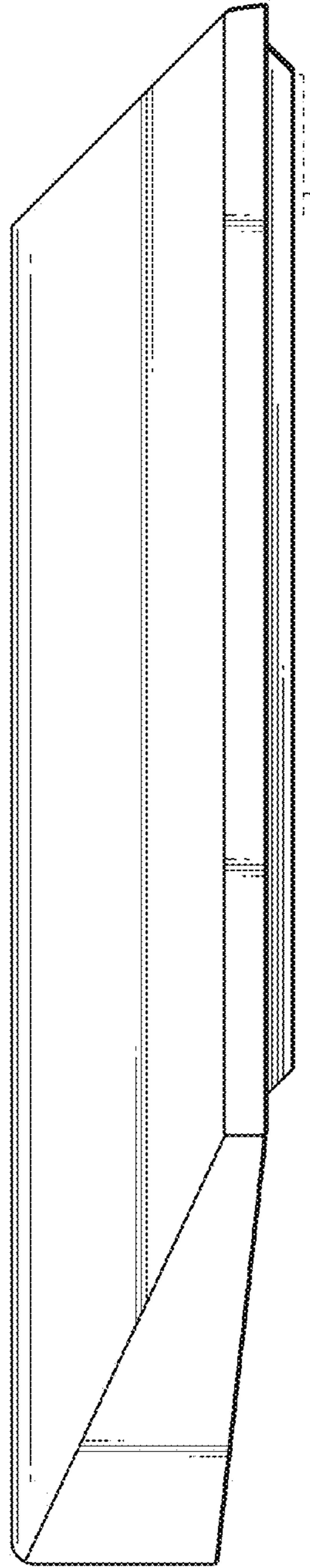


FIG. 5

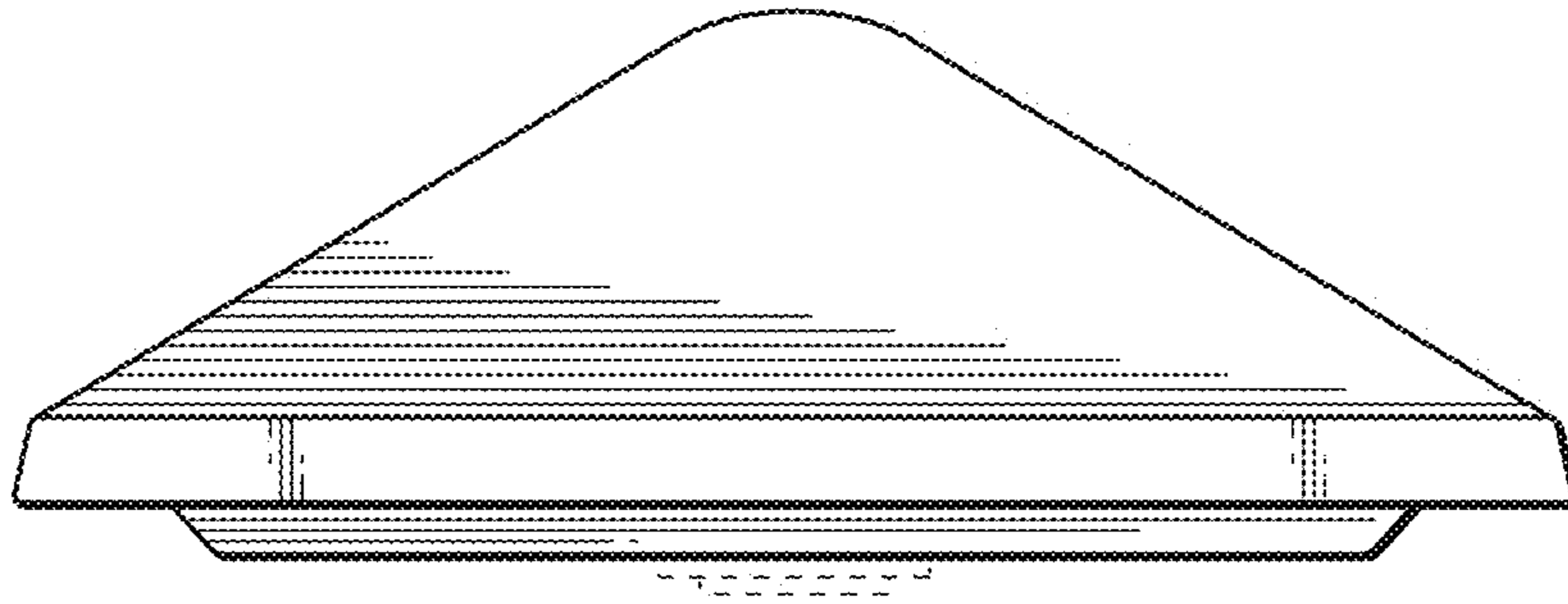


FIG. 6

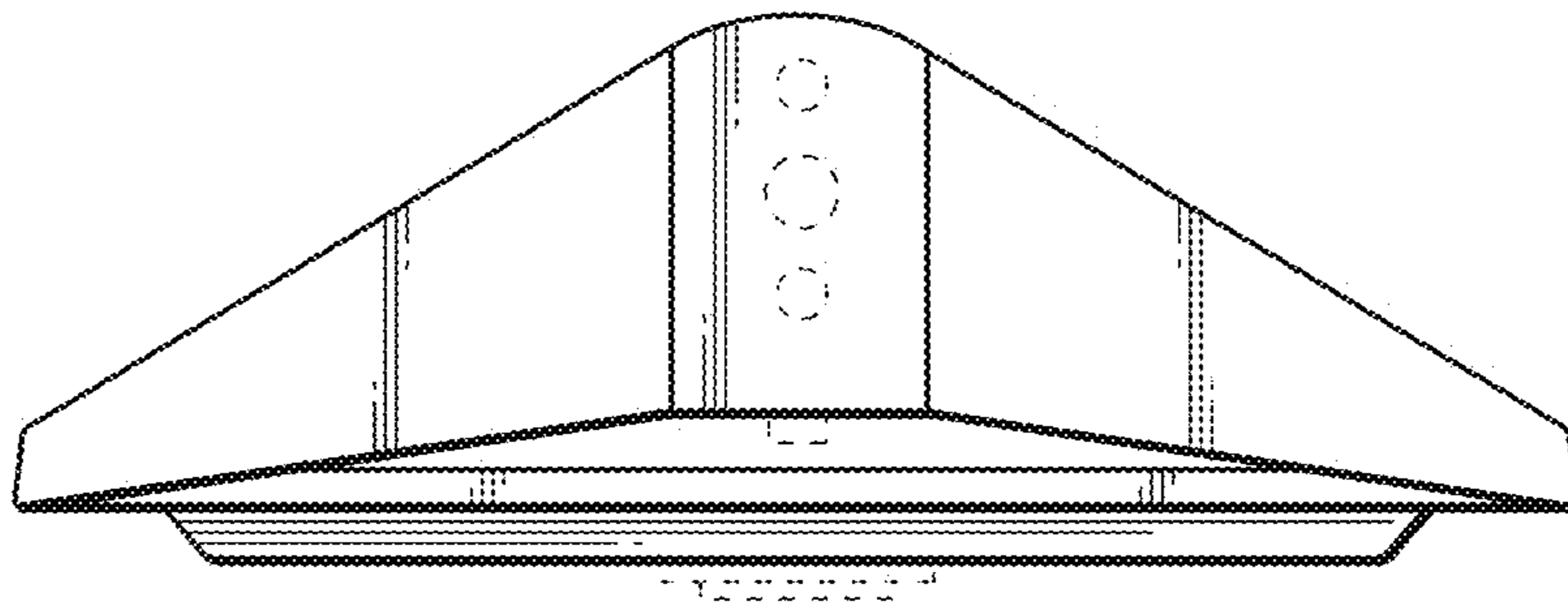


FIG. 7