



US00D691749S

(12) **United States Design Patent**
Shuja et al.

(10) **Patent No.:** **US D691,749 S**
(45) **Date of Patent:** **** Oct. 15, 2013**

(54) **HIGH INTENSITY LIGHTING FIXTURE**

(75) Inventors: **Ahmed Shuja**, San Francisco, CA (US);
Ron van Thiel, Menlo Park, CA (US);
Tom Griffin, San Ramon, CA (US);
Praveen Medis, Moraga, CA (US); **Phil Craine**, Saratoga, CA (US)

(73) Assignee: **Britepointe, Inc.**, Hayward, CA (US)

(**) Term: **14 Years**

(21) Appl. No.: **29/395,764**

(22) Filed: **Jan. 4, 2012**

(51) **LOC (9) Cl.** **26-04**

(52) **U.S. Cl.**
USPC **D26/3**

(58) **Field of Classification Search**
USPC D26/1-4; 313/313, 315, 316, 317,
313/318, 493; 315/52, 53, 56, 57, 58
See application file for complete search history.

(56) **References Cited**

U.S. PATENT DOCUMENTS

D501,264 S *	1/2005	To et al.	D26/3
D522,669 S *	6/2006	Kim	D26/3
D577,132 S *	9/2008	Itaya et al.	D26/3
D592,767 S *	5/2009	Muessli	D26/3
D597,227 S *	7/2009	Kim et al.	D26/3
D633,228 S *	2/2011	Wang et al.	D26/3

* cited by examiner

Primary Examiner — Marcus Jackson

(74) *Attorney, Agent, or Firm* — Perkins Coie LLP

(57) **CLAIM**

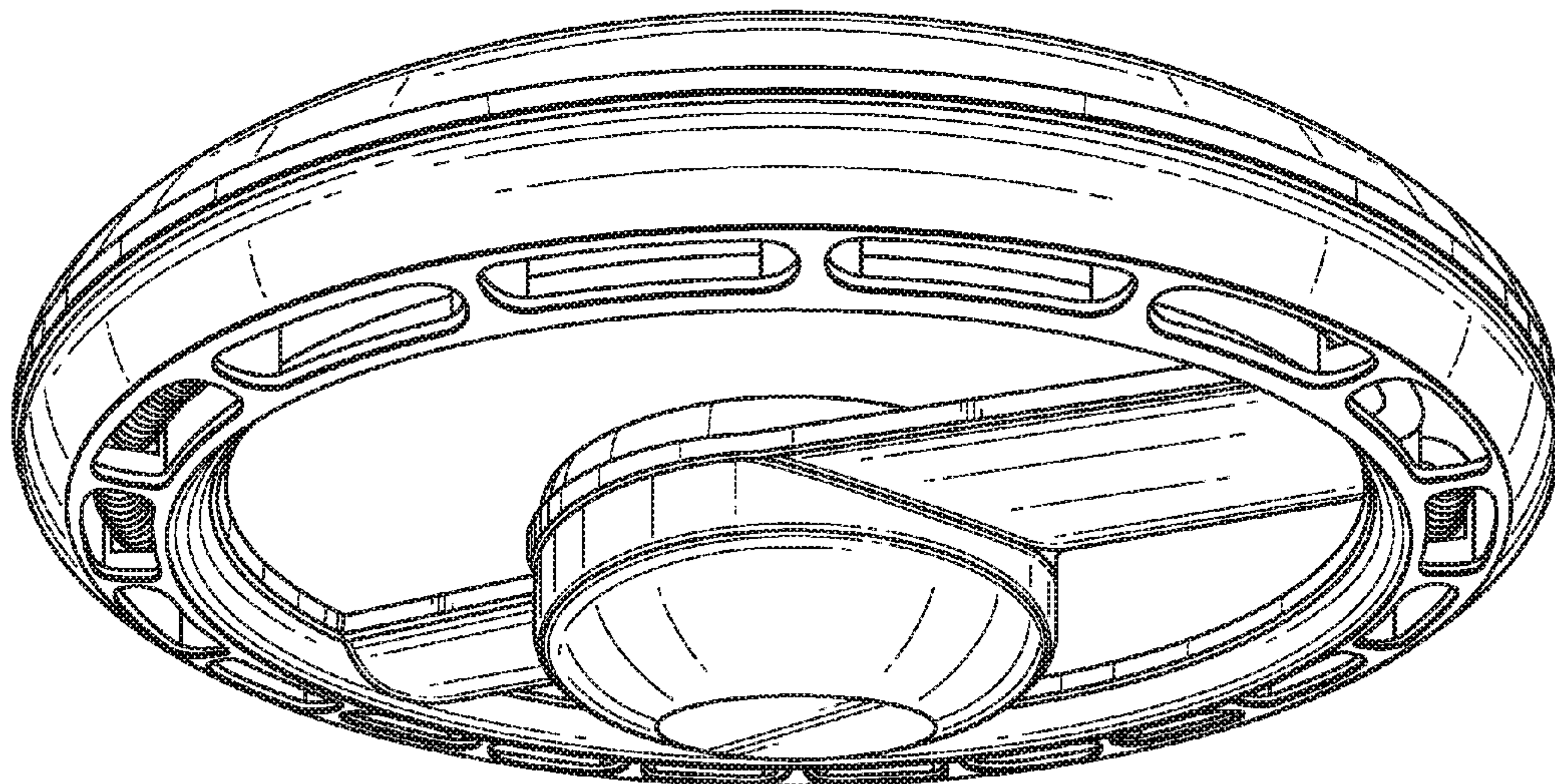
The ornamental design for a high intensity lighting fixture, as shown and described.

DESCRIPTION

FIG. 1 is a front elevational view of a first embodiment of the ornamental design for a high intensity lighting fixture; FIG. 2 is a rear elevational view of the first embodiment; FIG. 3 is a left side elevational view of the first embodiment; FIG. 4 is a right side elevational view of the first embodiment; FIG. 5 is a top plan view of the first embodiment; FIG. 6 is a bottom plan view of the first embodiment; FIG. 7 is a perspective view of the first embodiment, as seen from the front, bottom side; FIG. 8 is a front elevational view of a second embodiment of the ornamental design for the high intensity lighting fixture; FIG. 9 is a rear elevational view of the second embodiment; FIG. 10 is a left side elevational view of the second embodiment; FIG. 11 is a right side elevational view of the second embodiment; FIG. 12 is a top plan view of the second embodiment; FIG. 13 is a bottom plan view of the second embodiment; and, FIG. 14 is a perspective view of the second embodiment, as seen from the front, bottom side.

The broken line disclosure is for environmental purposes only and does not form a part of the claimed design.

1 Claim, 14 Drawing Sheets



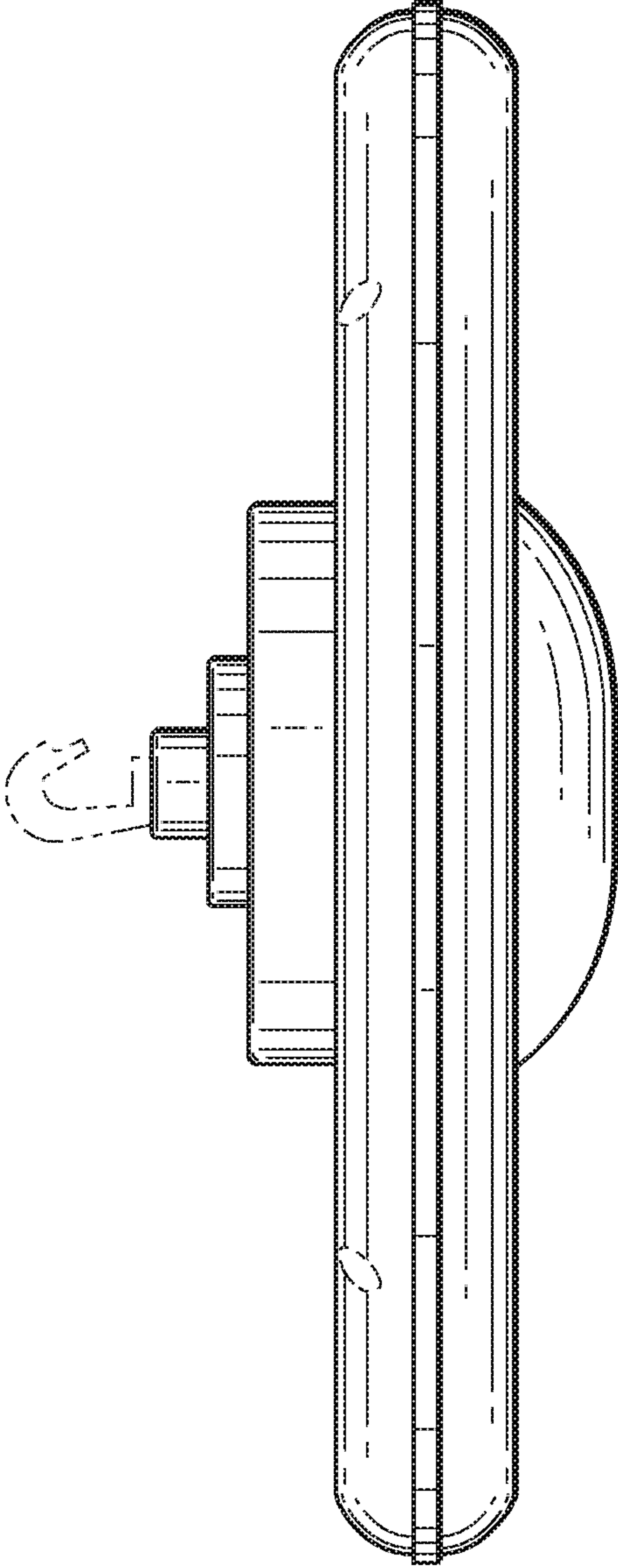


FIG. 1

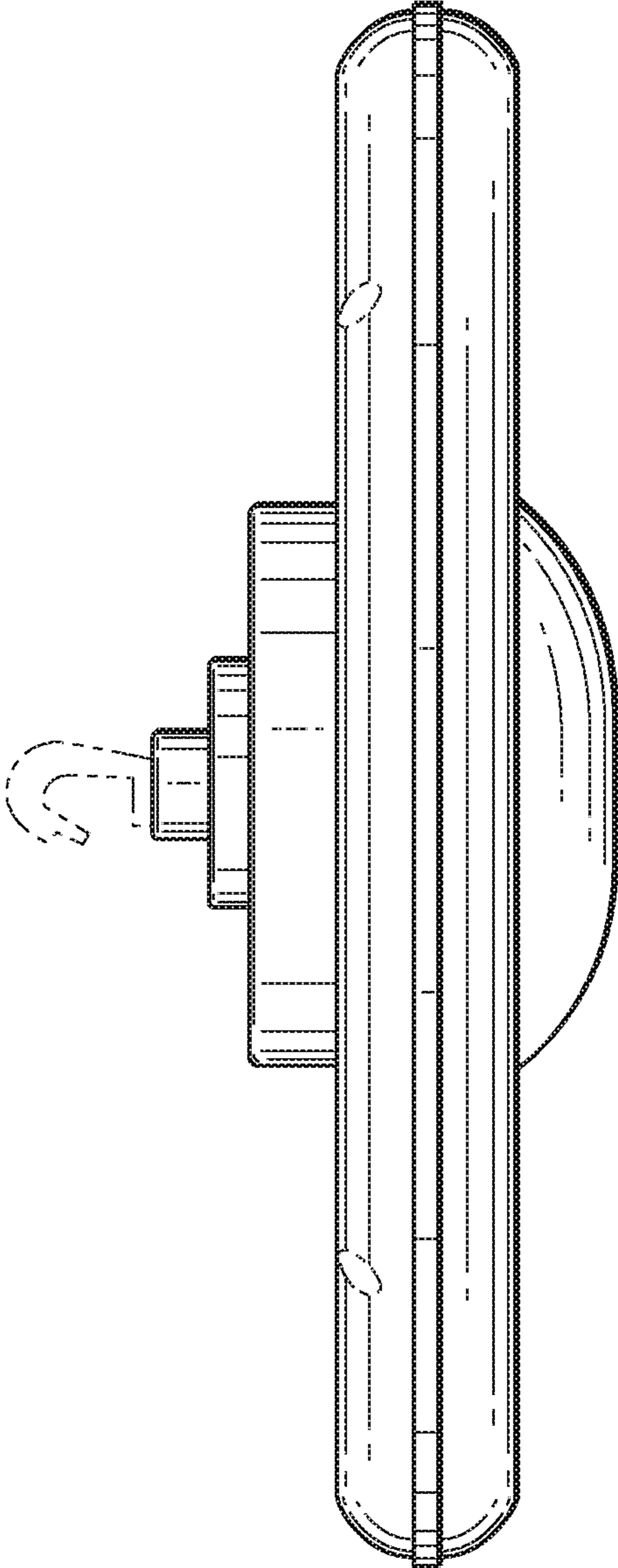


FIG. 2

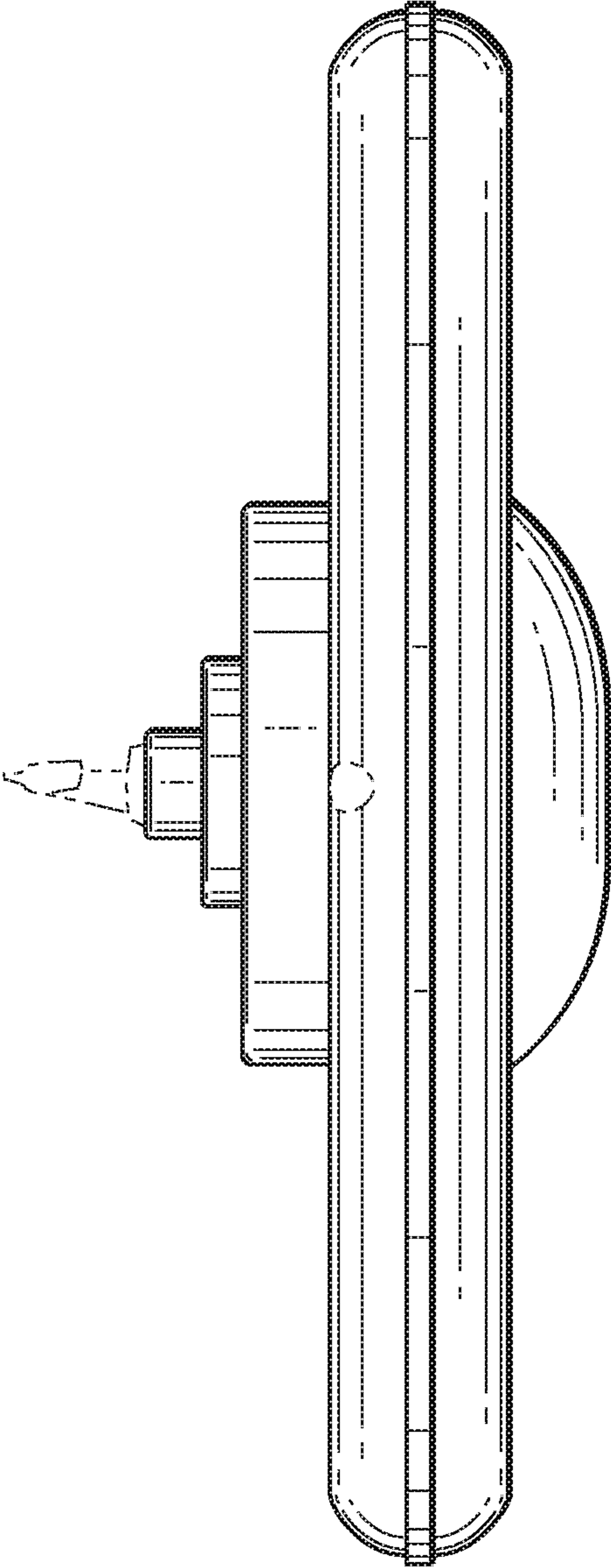


FIG. 3

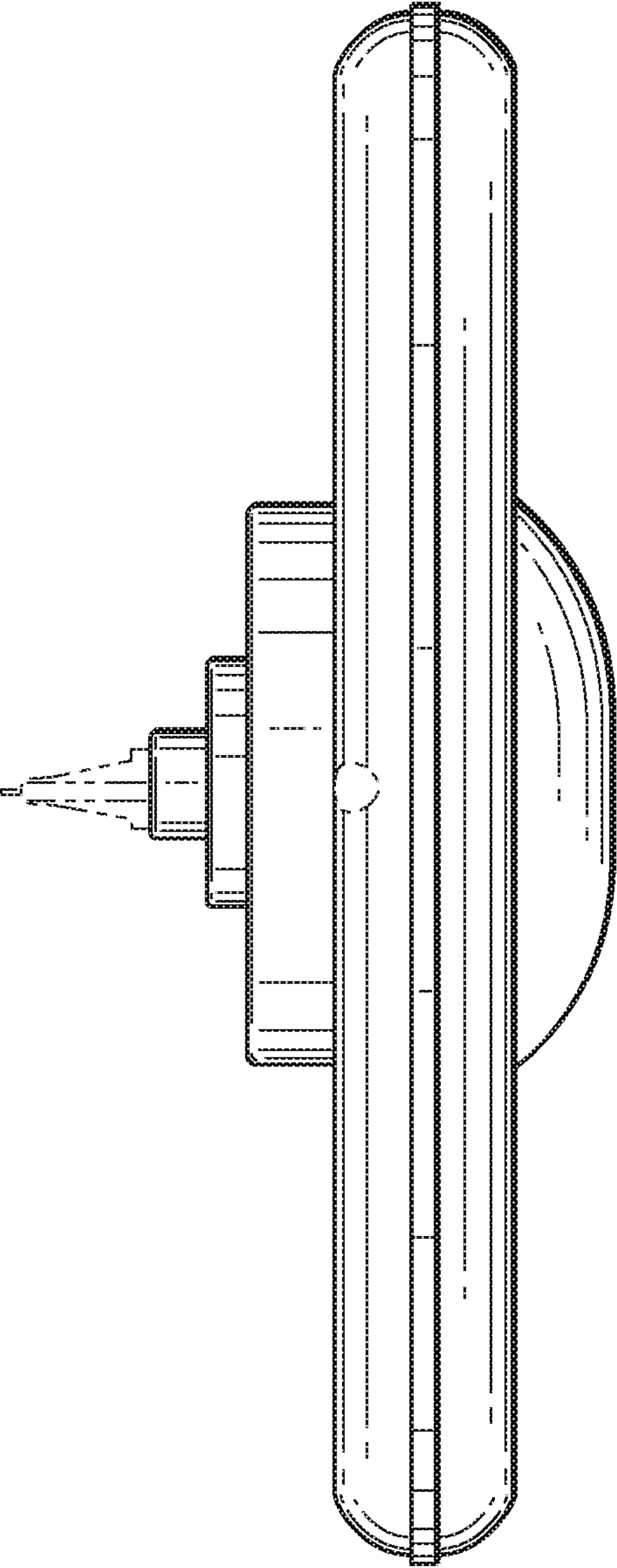


FIG. 4

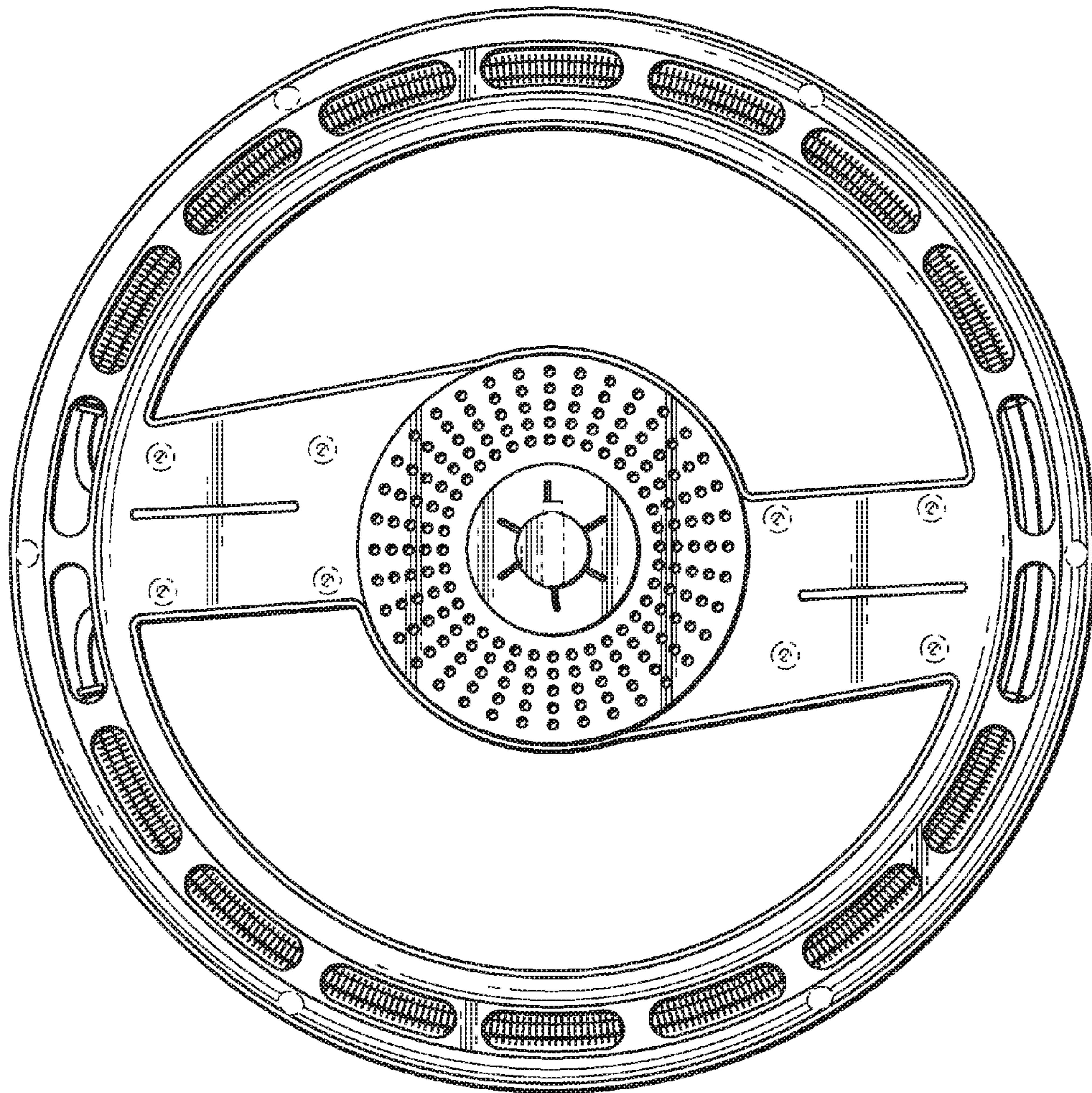


FIG. 5

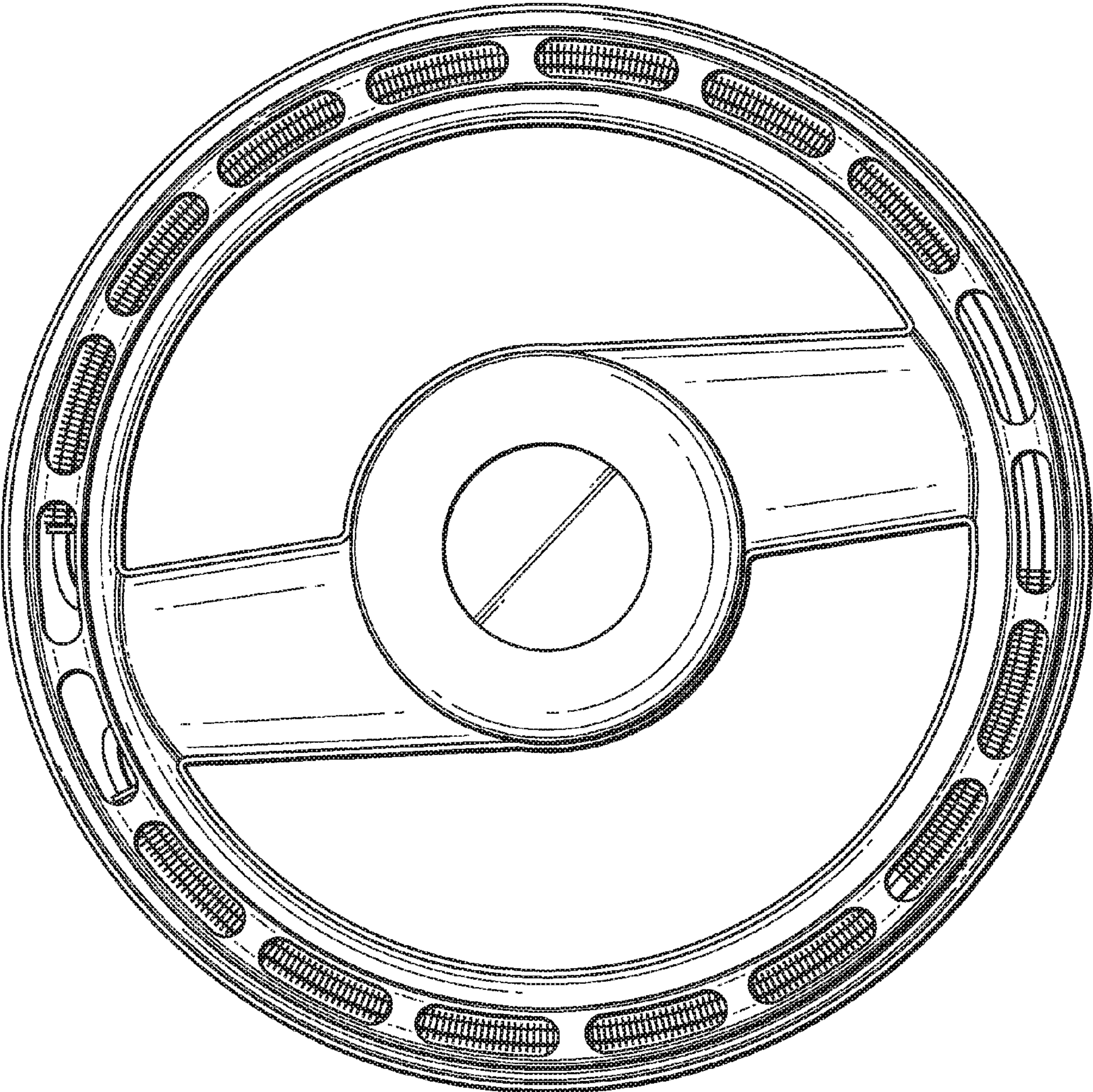


FIG. 6

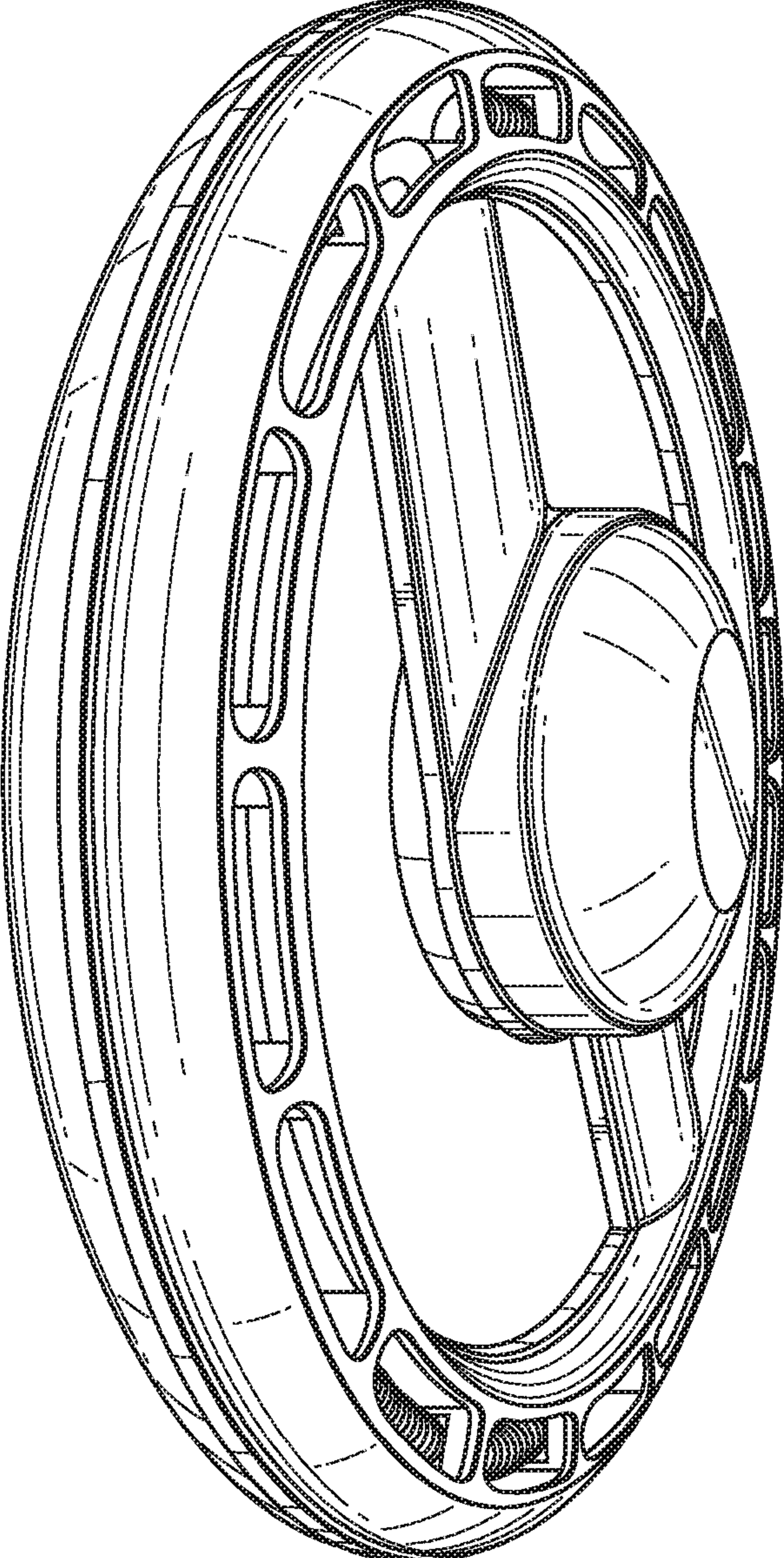


FIG. 7

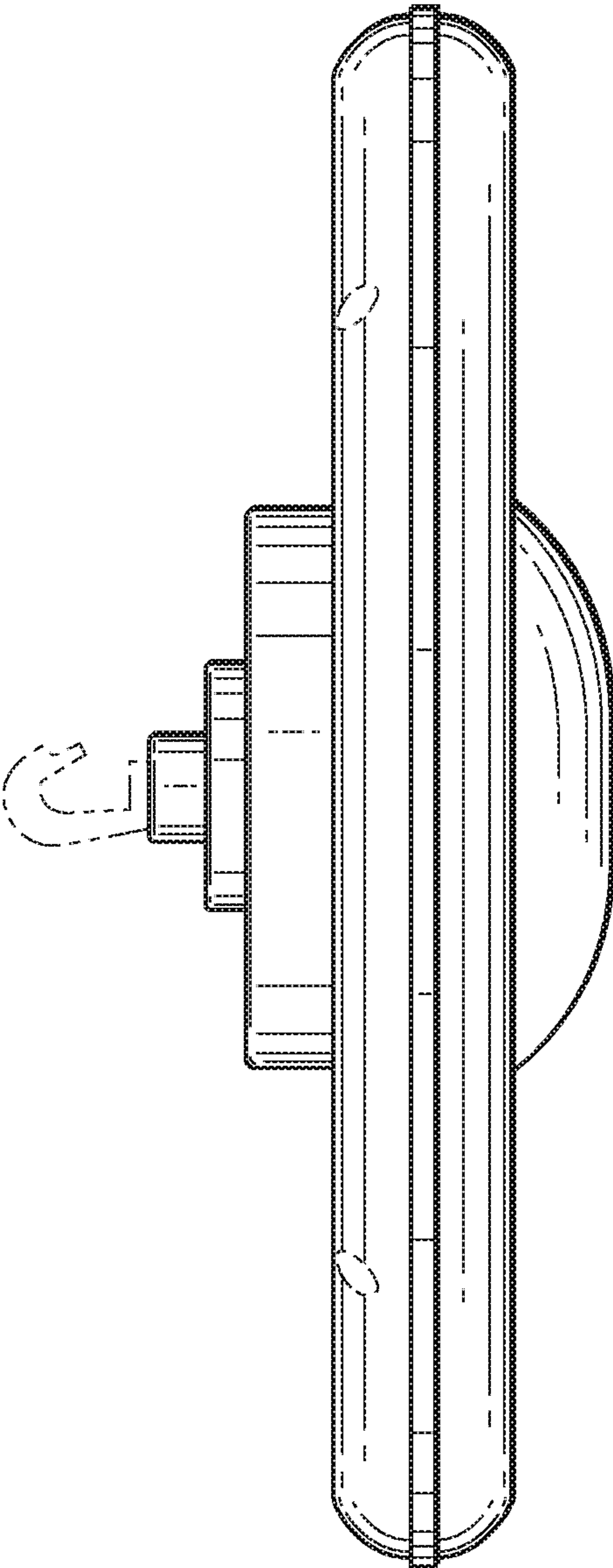


FIG. 8

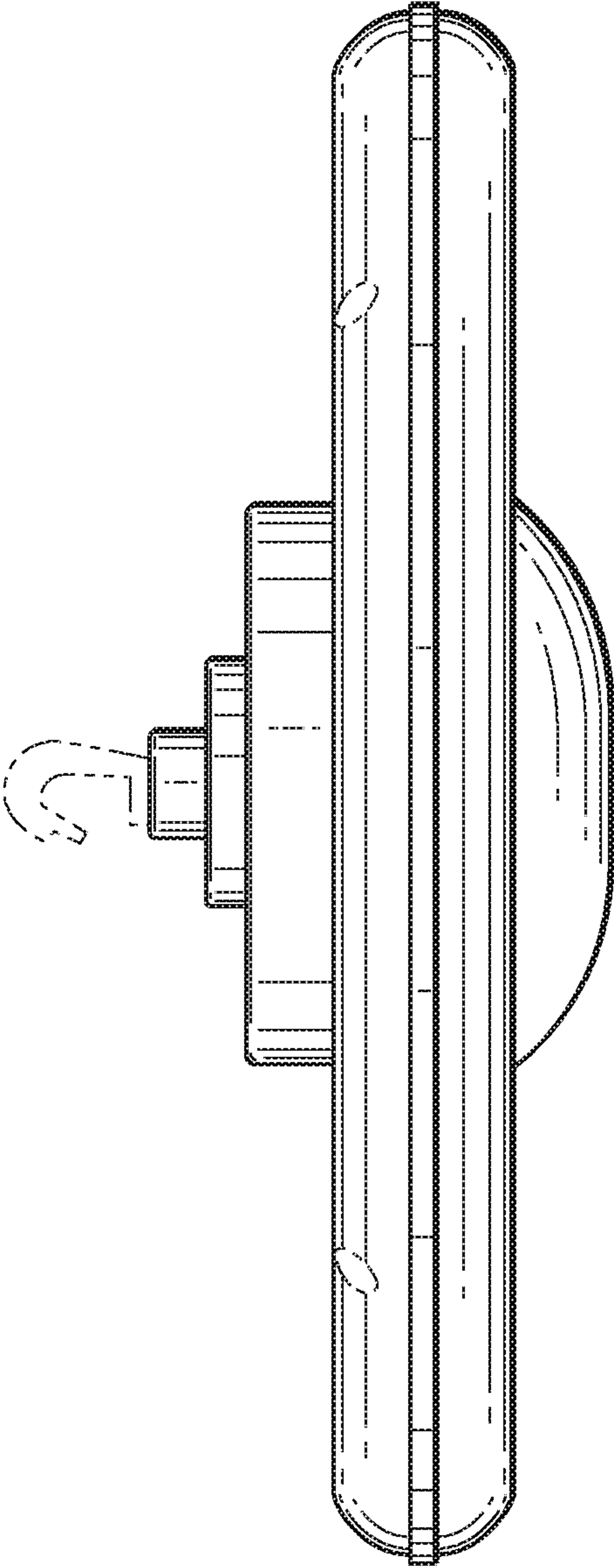


FIG. 9

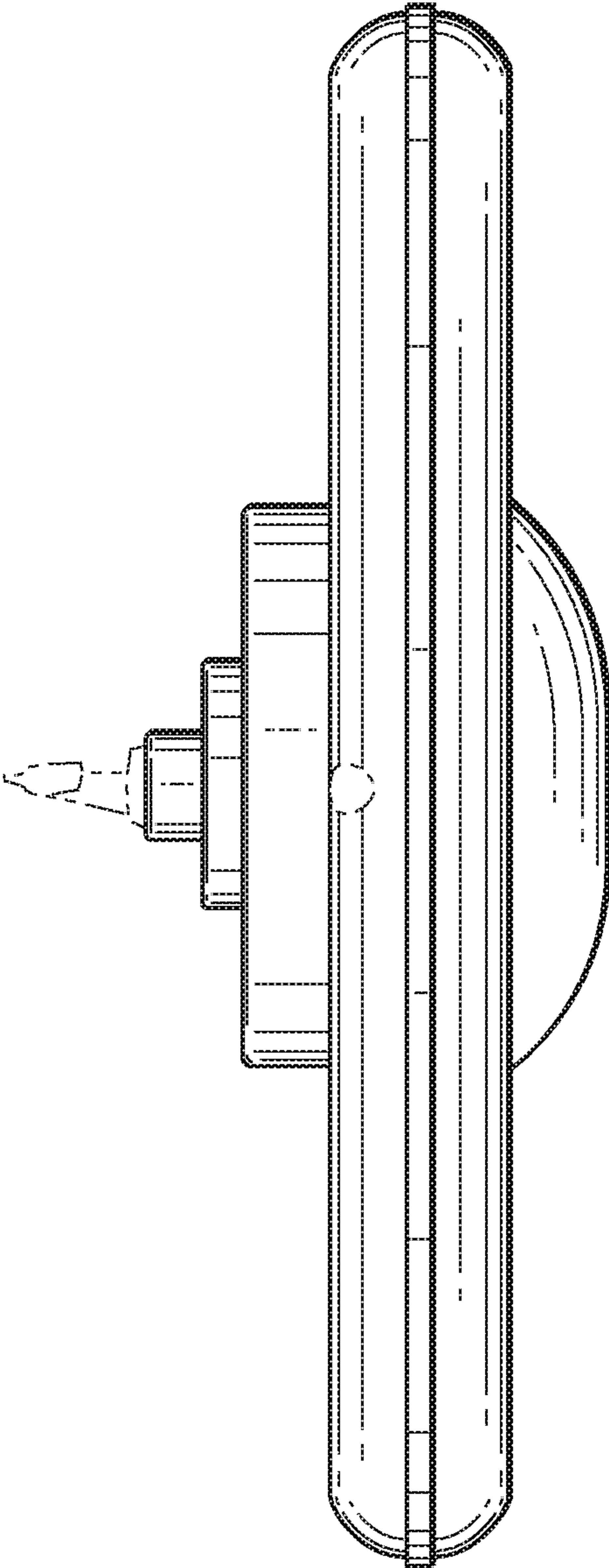


FIG. 10

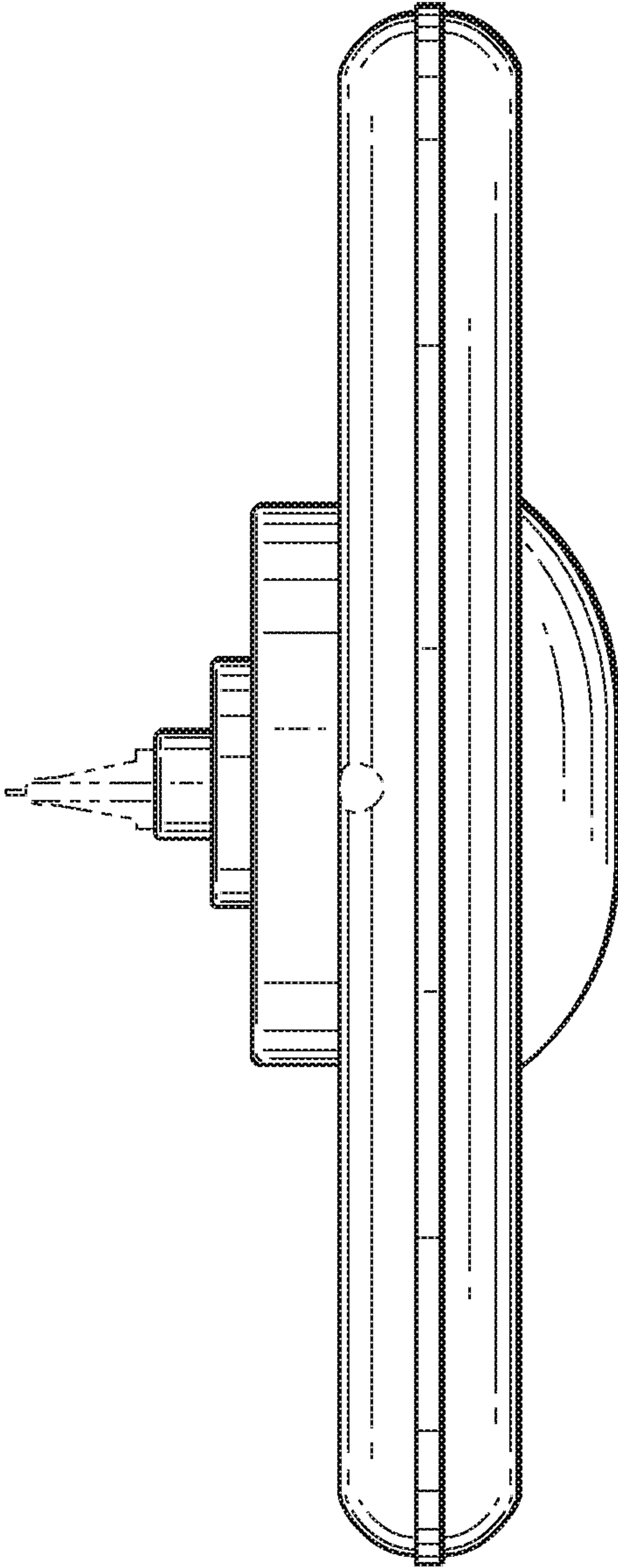


FIG. 11

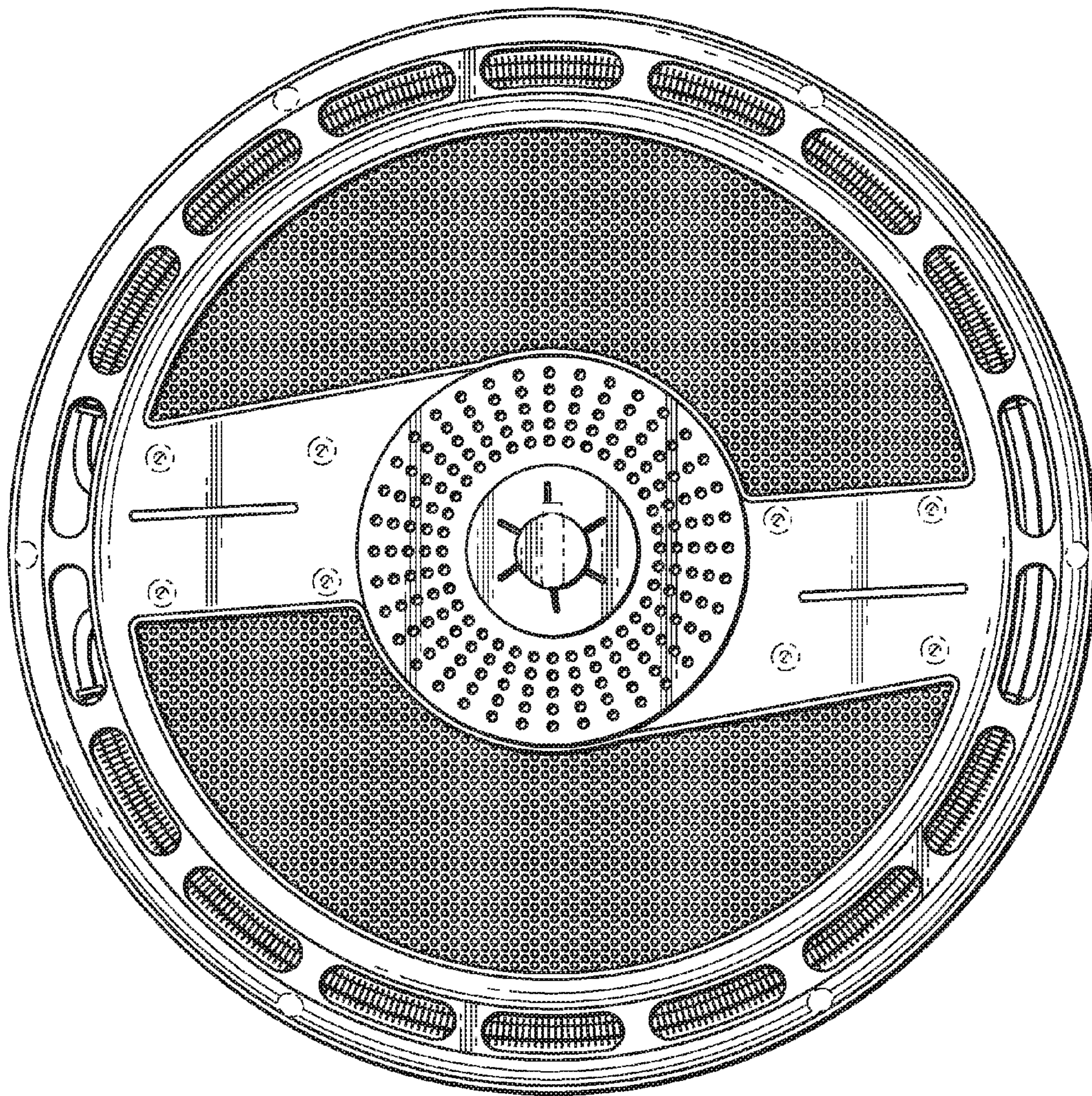


FIG. 12

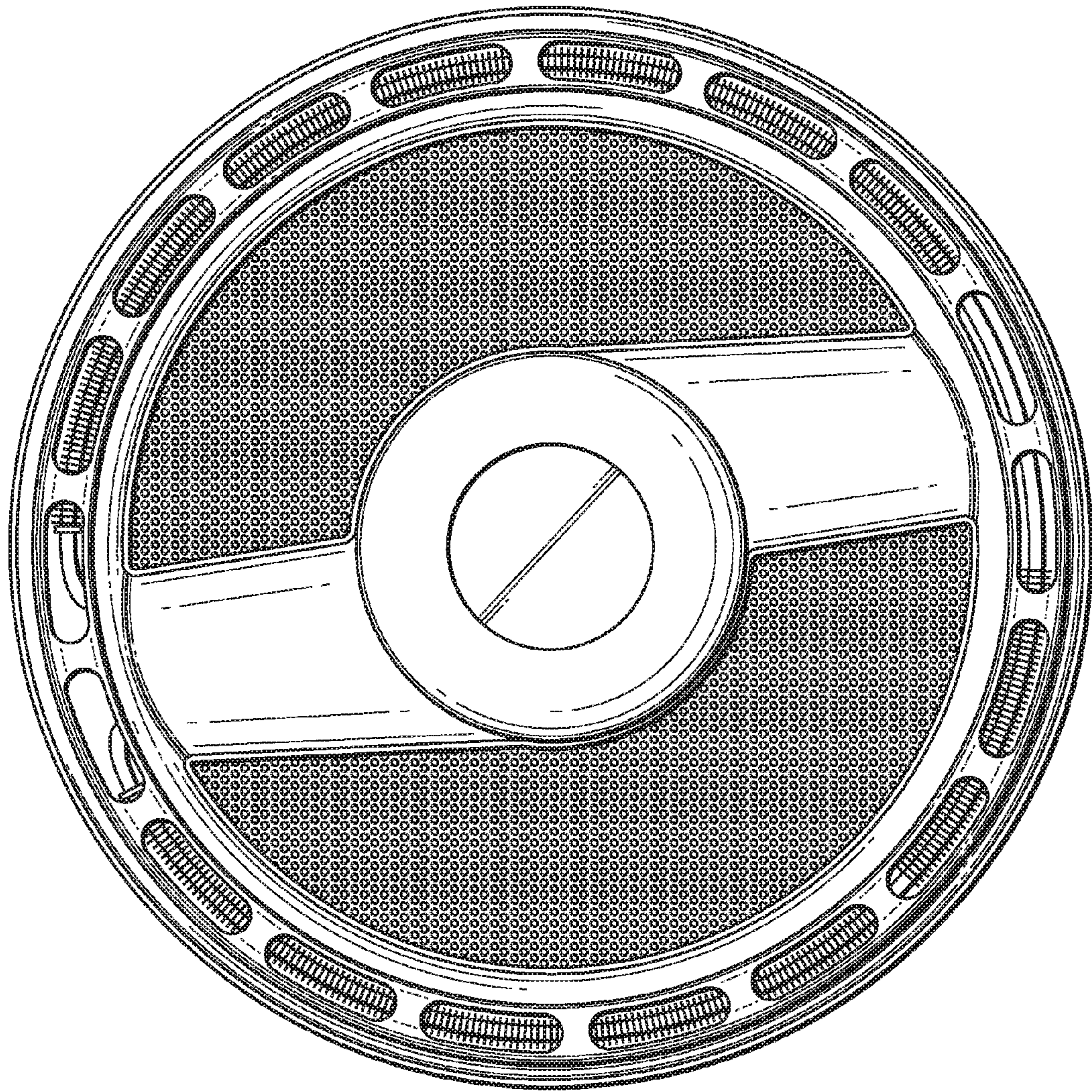


FIG. 13

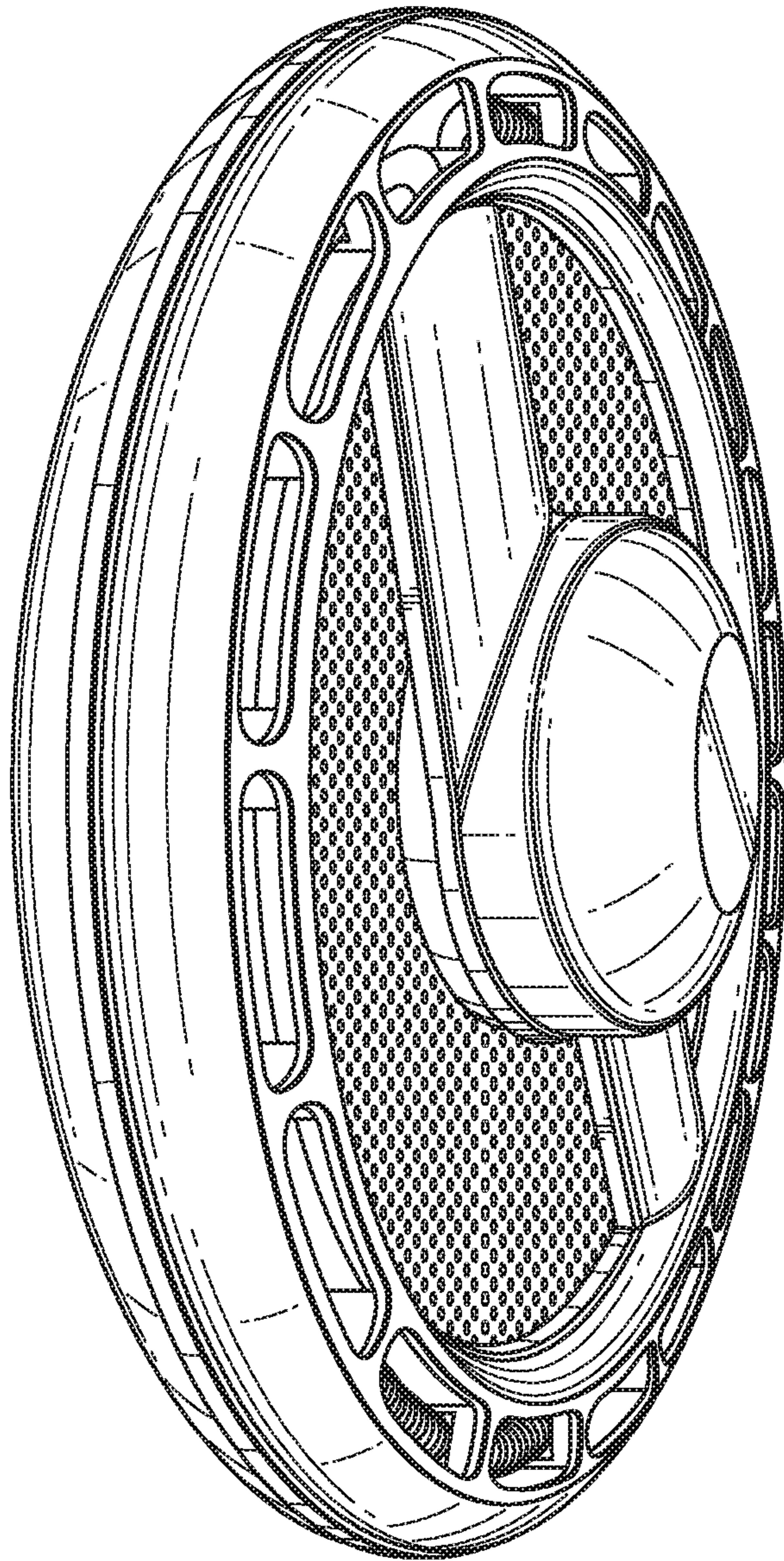


FIG. 14