



US00D691748S

(12) **United States Design Patent**  
**Tagami et al.**

(10) **Patent No.:** **US D691,748 S**

(45) **Date of Patent:** **\*\* Oct. 15, 2013**

(54) **LIGHT-EMITTING DIODE LAMP**  
(71) Applicant: **Panasonic Corporation**, Kadoma (JP)  
(72) Inventors: **Naoki Tagami**, Osaka (JP); **Toshiaki Kurachi**, Kyoto (JP); **Katsuyuki Nagahama**, Hyogo (JP); **Koji Omura**, Osaka (JP); **Kenta Watanabe**, Osaka (JP)  
(73) Assignee: **Panasonic Corporation**, Osaka (JP)

D549,360 S \* 8/2007 An ..... D26/2  
D550,864 S \* 9/2007 Hernandez et al. .... D26/2  
D664,682 S 7/2012 Matsuda et al.  
D664,683 S 7/2012 Matsuda et al.  
D671,663 S \* 11/2012 Matsuda et al. .... D26/2

\* cited by examiner

*Primary Examiner* — Marcus Jackson  
(74) *Attorney, Agent, or Firm* — Brinks Hofer Gilson & Lione

(\*\*) Term: **14 Years**

(57) **CLAIM**

We claim the ornamental design for a light-emitting diode lamp, as shown and described.

(21) Appl. No.: **29/440,921**

(22) Filed: **Dec. 28, 2012**

**DESCRIPTION**

(30) **Foreign Application Priority Data**  
Jul. 6, 2012 (JP) ..... 2012-016083

FIG. 1 is a top perspective view of a light-emitting diode lamp of the present invention;  
FIG. 2 is a front view thereof;  
FIG. 3 is a rear view thereof;  
FIG. 4 is a first side view thereof;  
FIG. 5 is a second side view thereof;  
FIG. 6 is a top view thereof;  
FIG. 7 is a bottom view thereof; and,  
FIG. 8 is a cross-section view taken along the line 8-8 of FIG. 2.

(51) **LOC (9) Cl.** ..... **26-04**

(52) **U.S. Cl.**  
USPC ..... **D26/2**

(58) **Field of Classification Search**  
USPC ..... D26/1-4; 313/313, 315, 316, 317, 318, 313/493; 315/52, 53, 56, 57, 58  
See application file for complete search history.

The broken lines shown represent unclaimed subject matter and form no part of the claimed design. Additionally, the unevenly broken lines in the drawings define the limits of the claimed design.

(56) **References Cited**

**U.S. PATENT DOCUMENTS**

D340,295 S \* 10/1993 Beauchamp ..... D26/2  
D422,099 S \* 3/2000 Kracke ..... D26/2

**1 Claim, 8 Drawing Sheets**

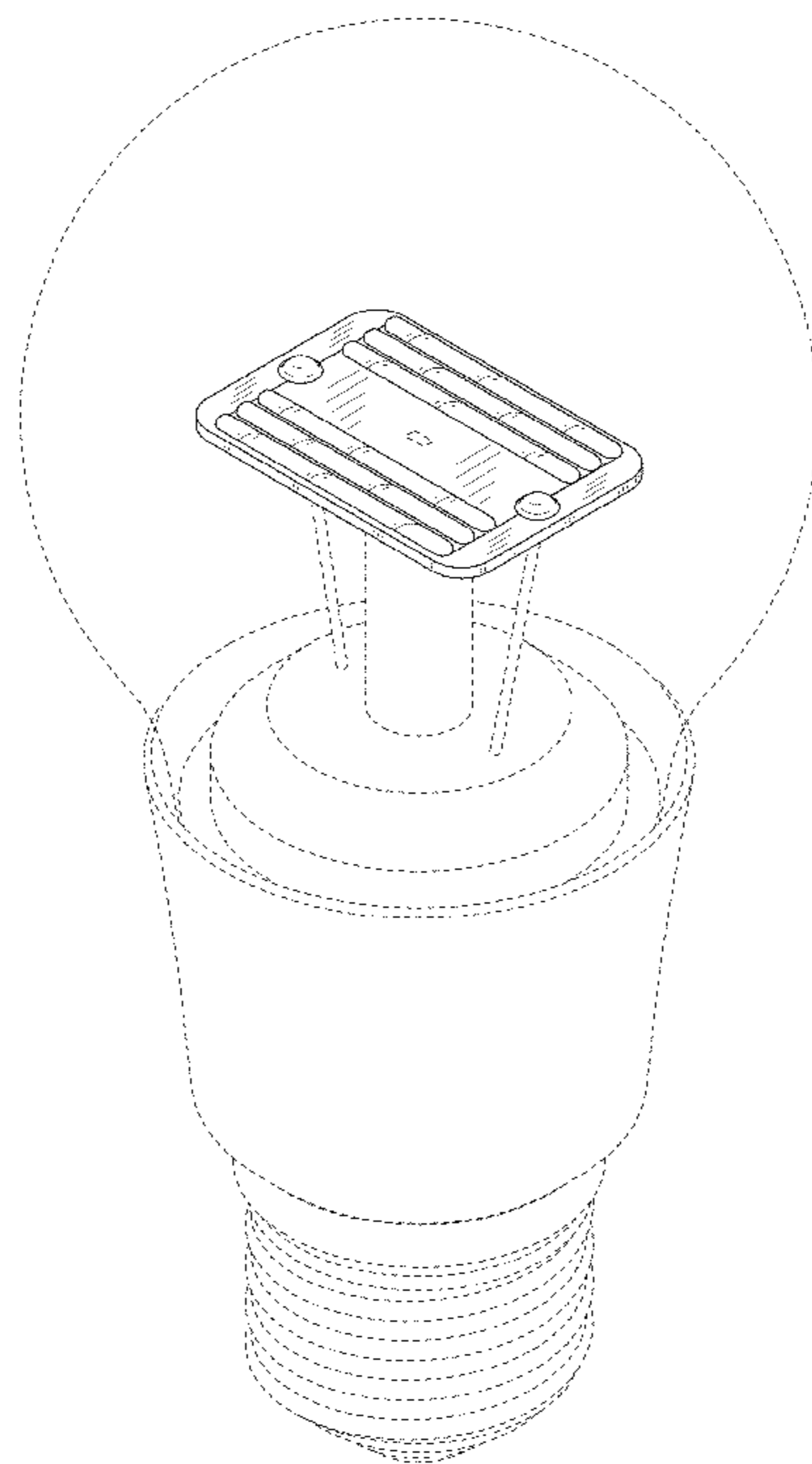


FIG.1

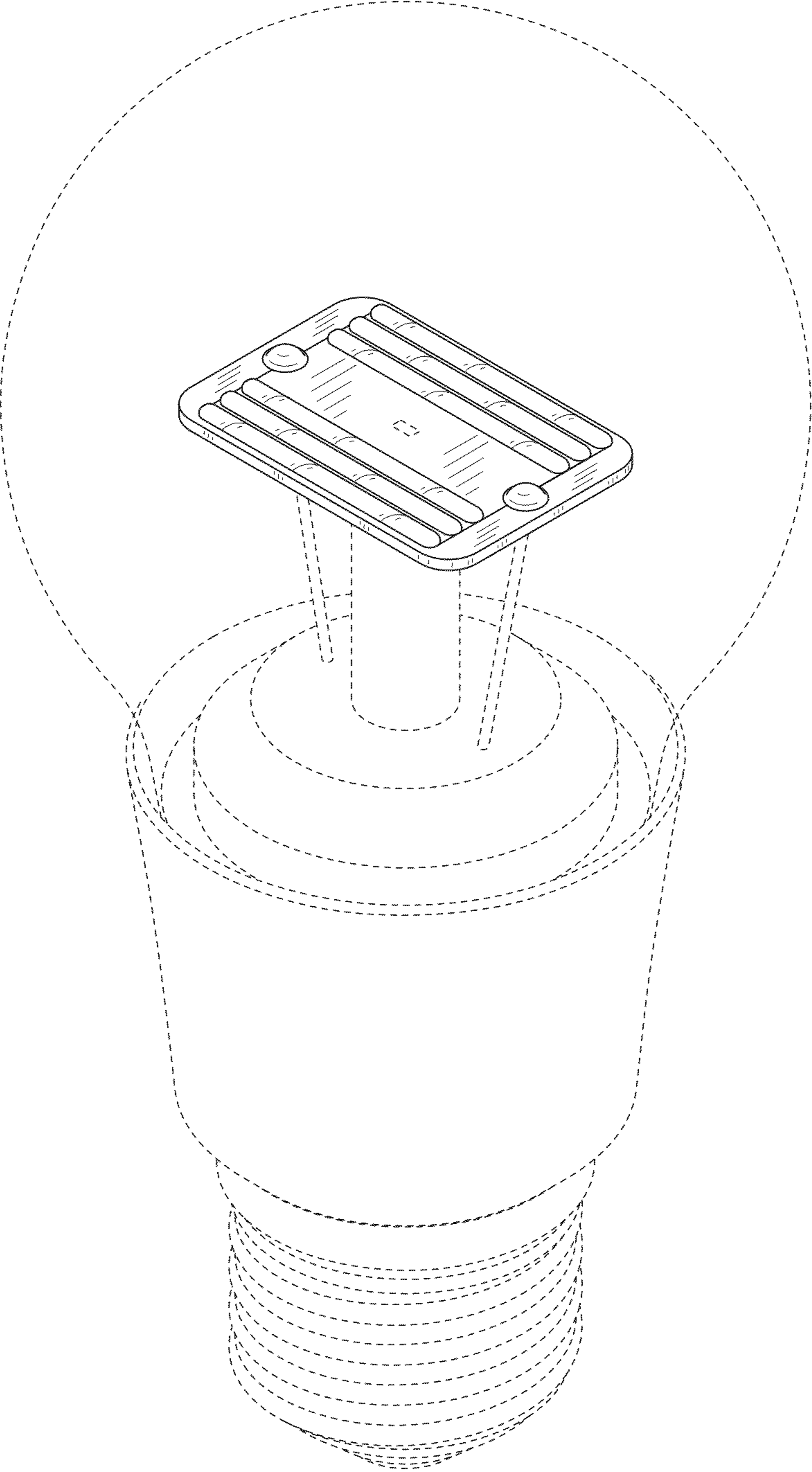


FIG.2

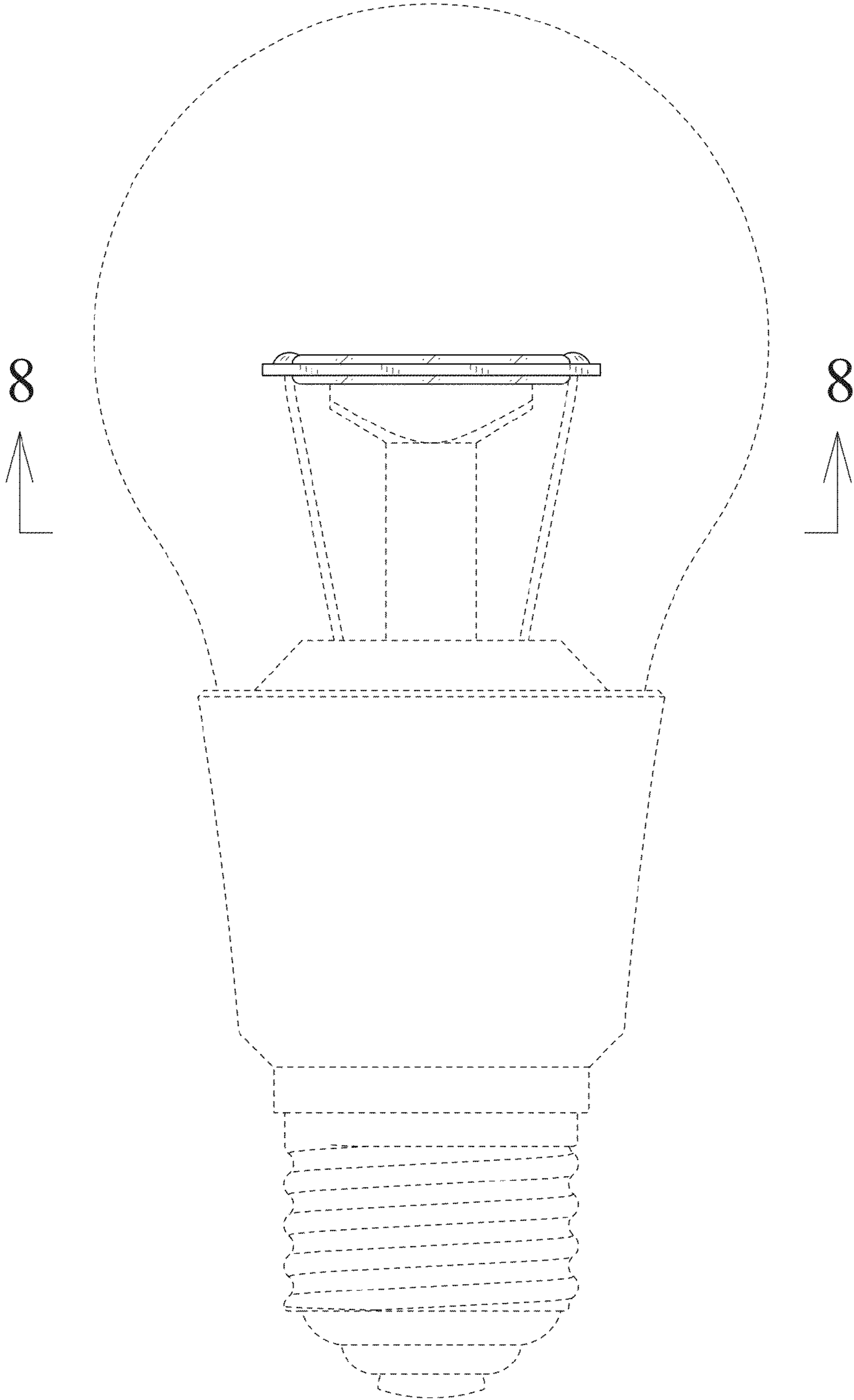


FIG.3

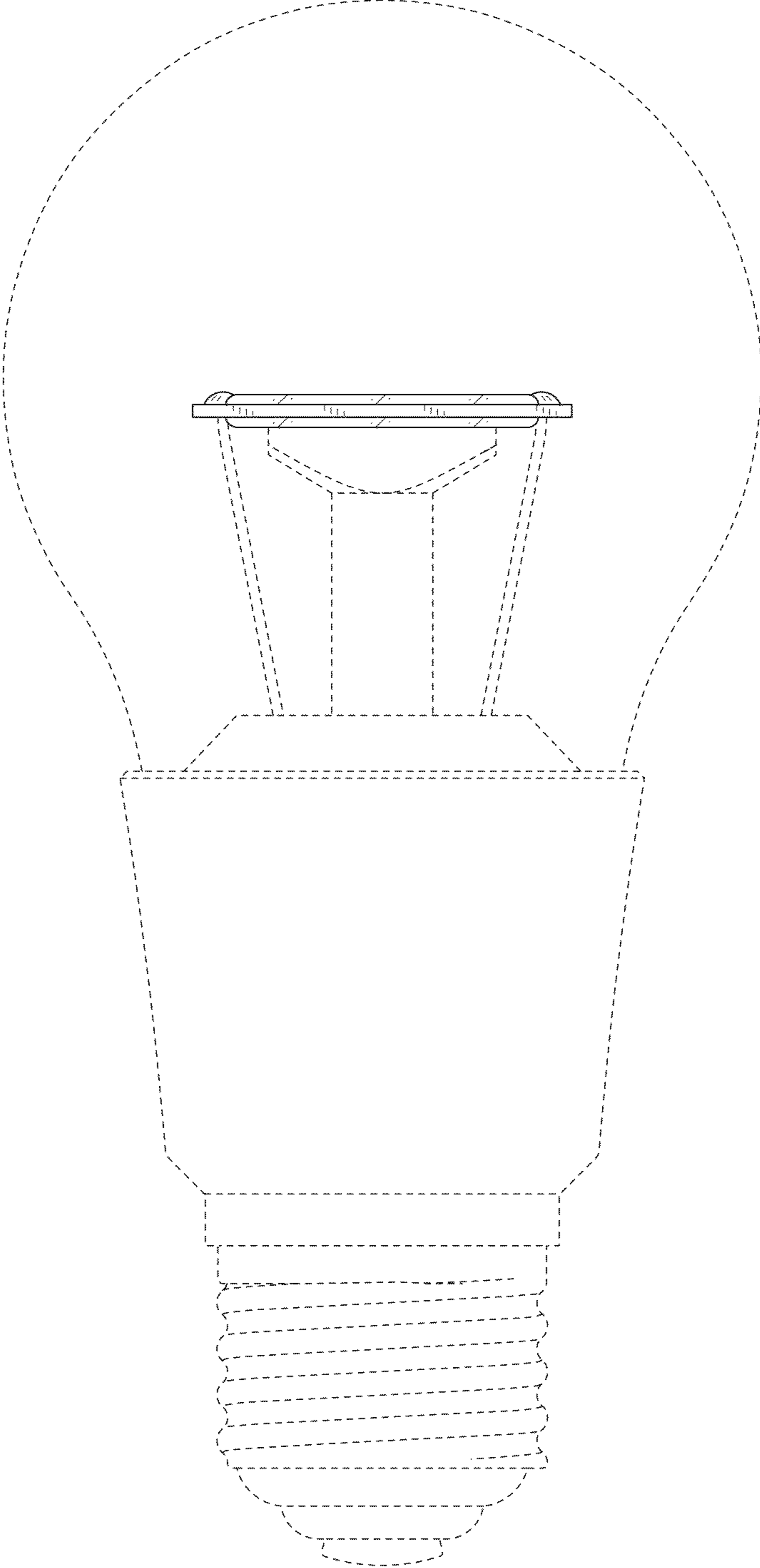


FIG.4

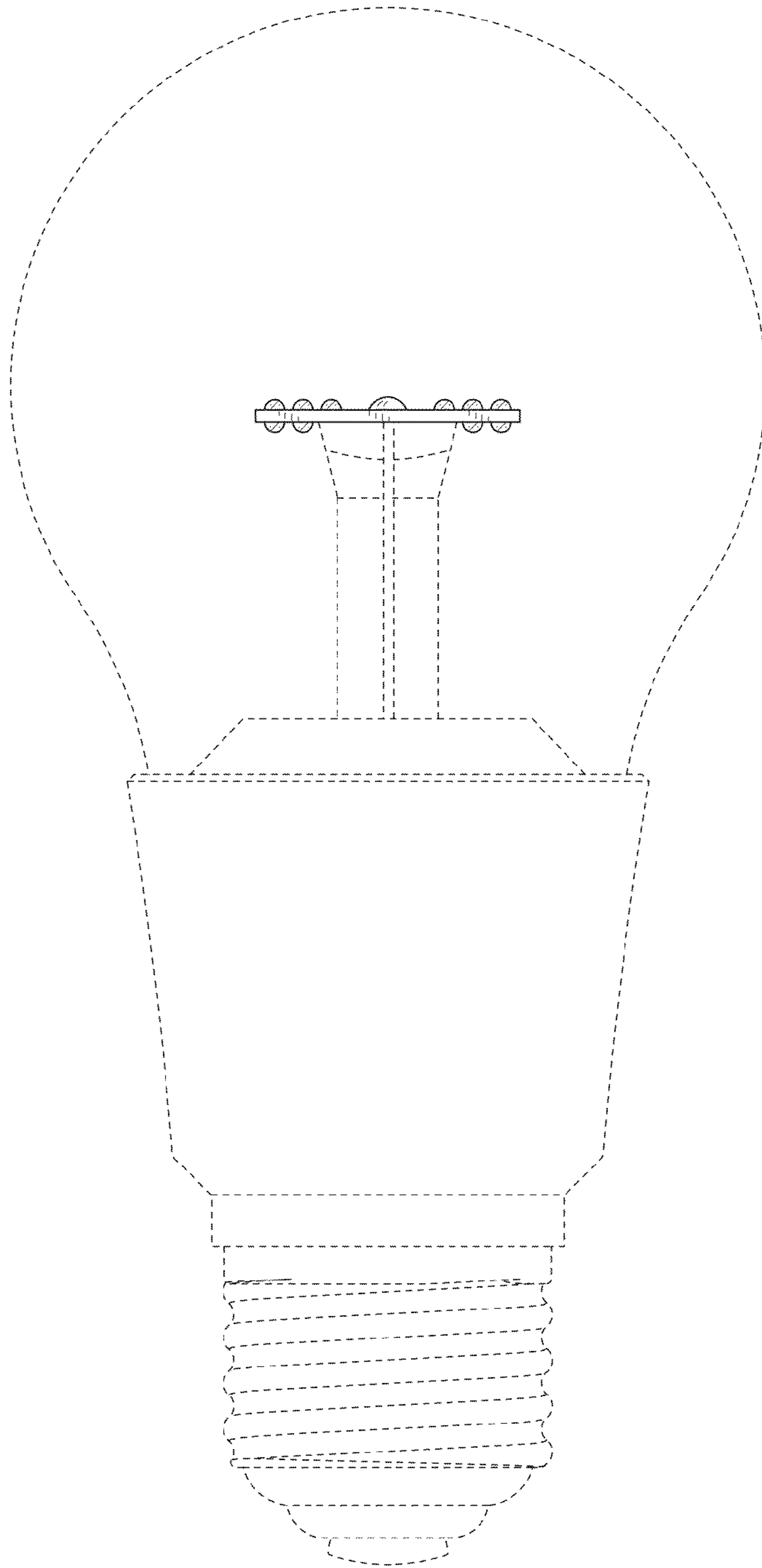


FIG.5

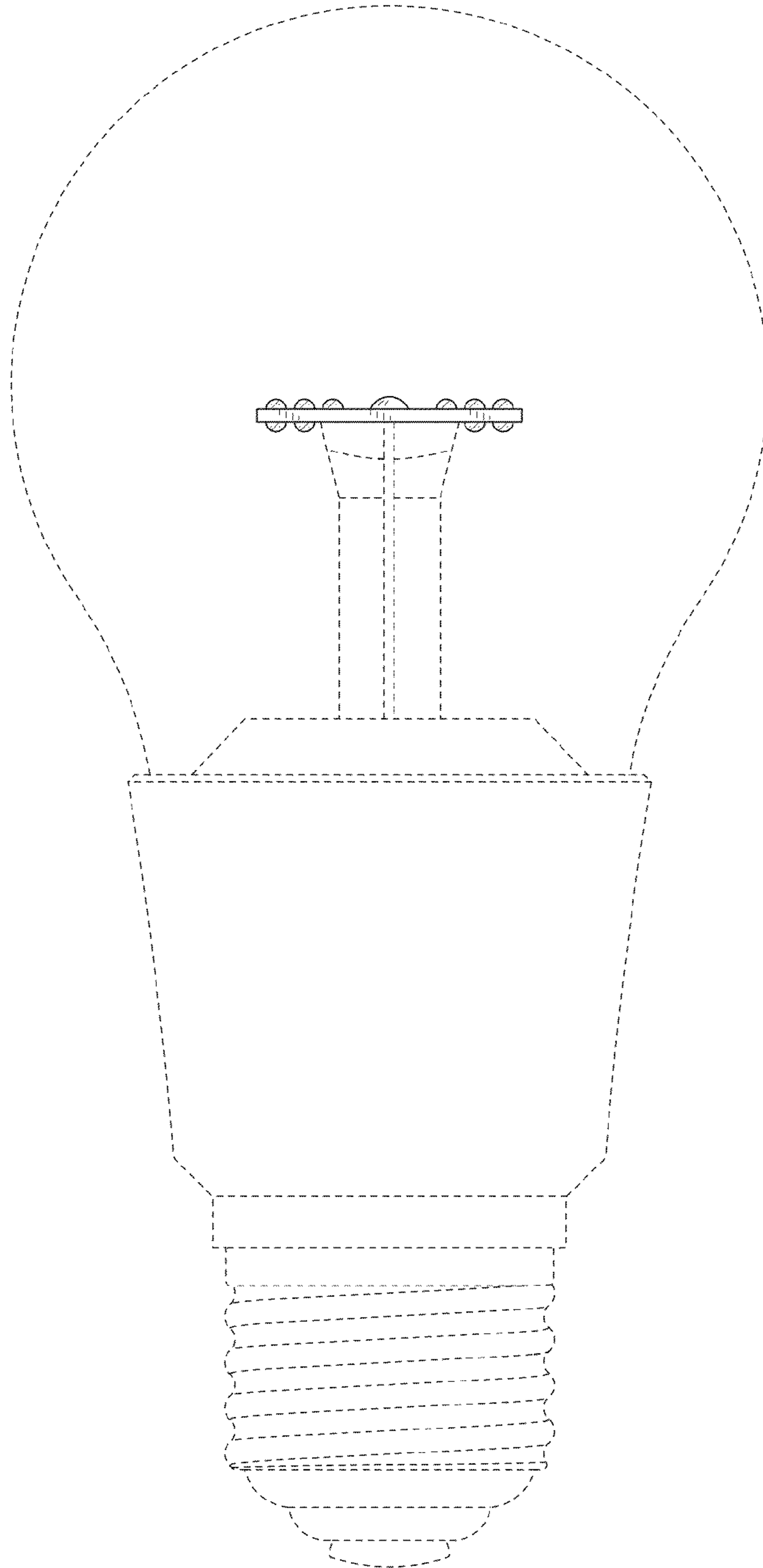


FIG.6

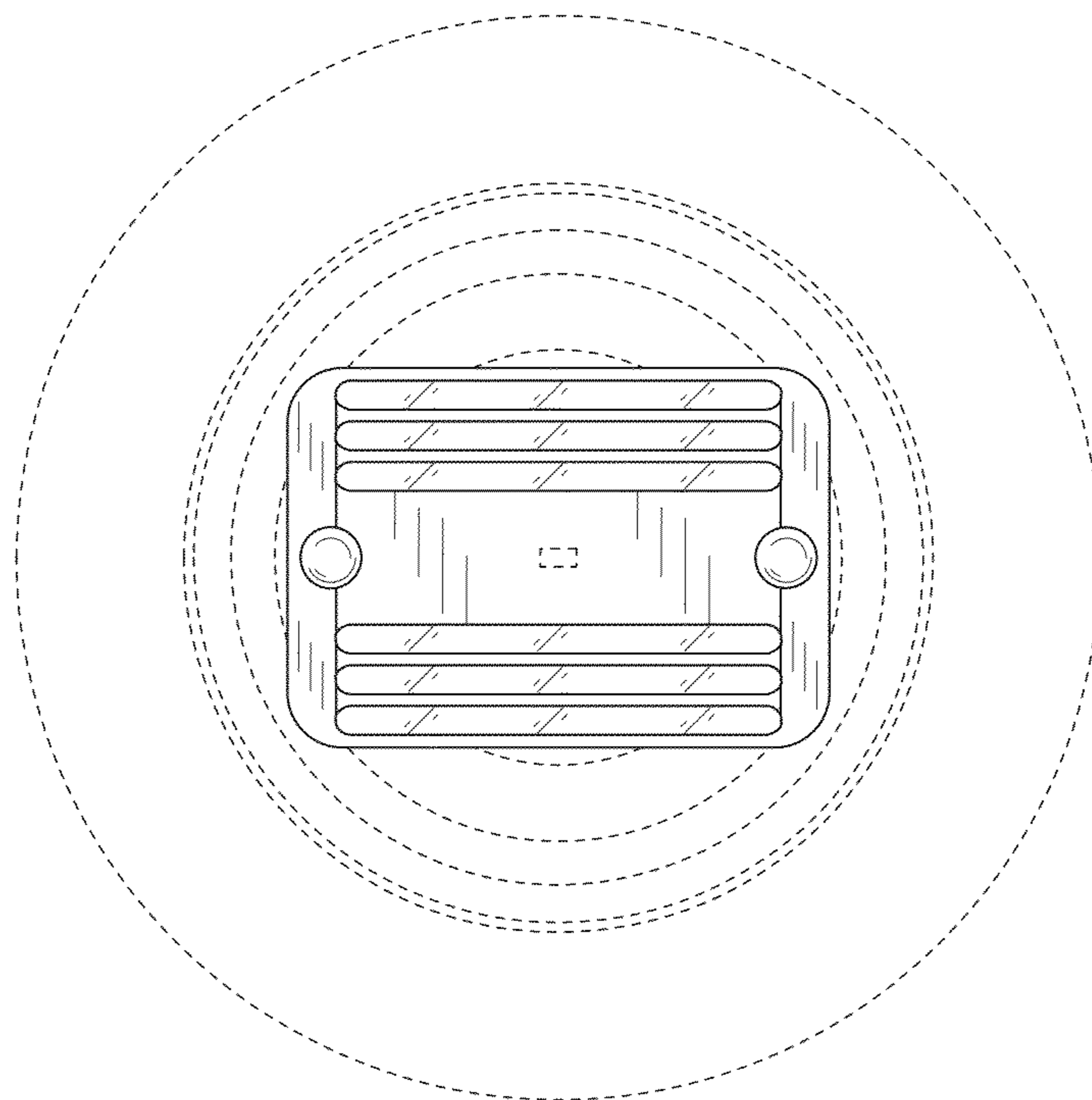


FIG.7

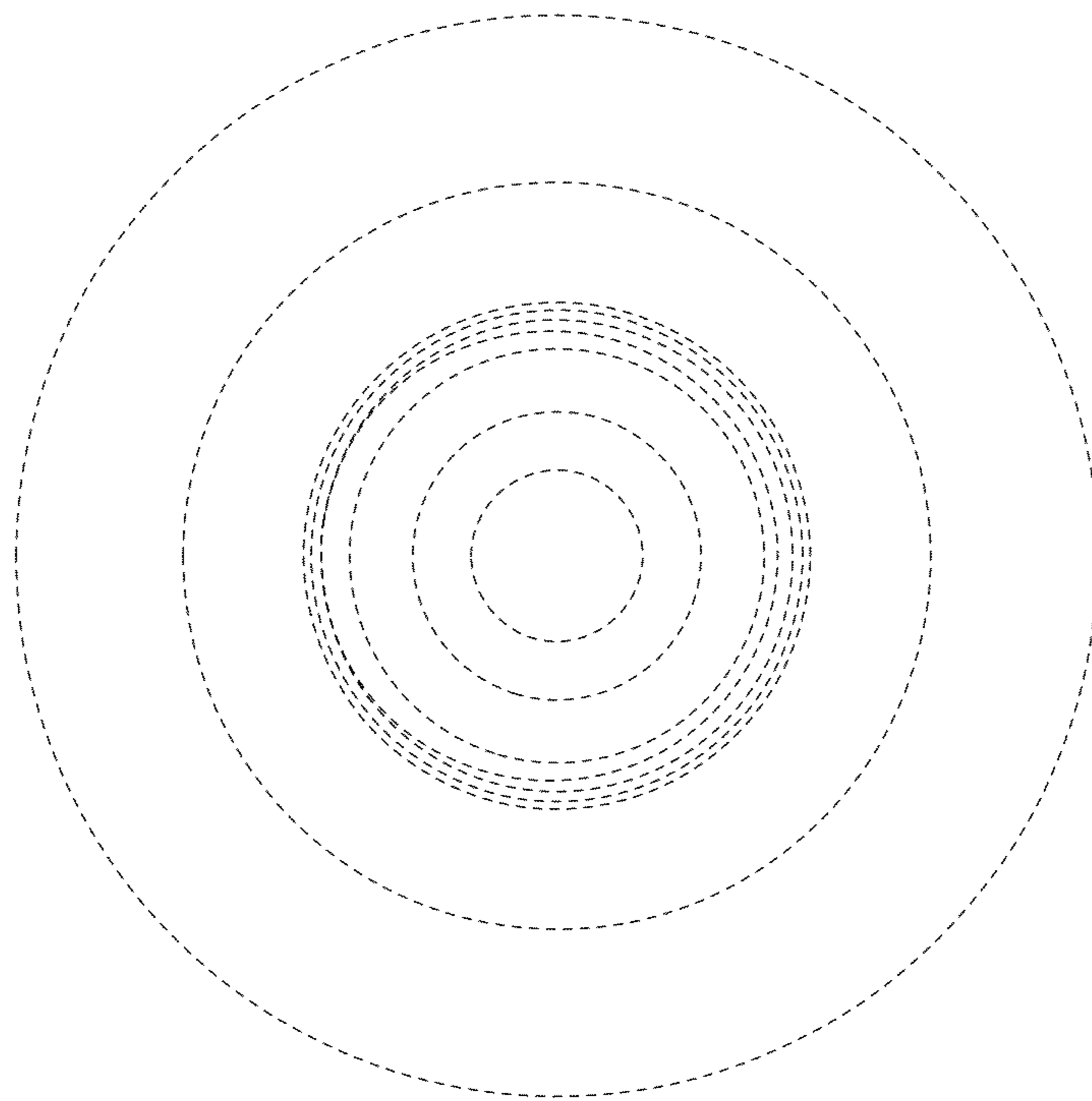




FIG.8

