



US00D691747S

(12) **United States Design Patent**
Pan

(10) **Patent No.:** **US D691,747 S**
(45) **Date of Patent:** **** Oct. 15, 2013**

(54) **LED LAMP**

(71) Applicant: **Shenzhen Wanjia Lighting Co., Ltd.,**
Shenzhen (CN)

(72) Inventor: **Liuyun Pan,** Shenzhen (CN)

(73) Assignee: **Shenzhen Wanjia Lighting Co., Ltd.,**
Shenzhen (CN)

(**) Term: **14 Years**

(21) Appl. No.: **29/439,900**

(22) Filed: **Dec. 17, 2012**

(51) **LOC (9) Cl.** **26-04**

(52) **U.S. Cl.**
USPC **D26/2**

(58) **Field of Classification Search**
USPC D26/1-4; 313/313, 315, 316, 317, 318,
313/493; 315/52, 53, 56, 57, 58
See application file for complete search history.

(56) **References Cited**

U.S. PATENT DOCUMENTS

D542,943 S * 5/2007 Wang D26/2
D544,110 S * 6/2007 Hooker et al. D26/2
D546,980 S * 7/2007 Lo D26/2

D547,886 S * 7/2007 Foo D26/2
D549,854 S * 8/2007 Takahashi D26/2
D566,300 S * 4/2008 Lo D26/2
D582,579 S * 12/2008 Tsai et al. D26/2
D587,383 S * 2/2009 Wei D26/2

* cited by examiner

Primary Examiner — Marcus Jackson

(74) *Attorney, Agent, or Firm* — Hamre, Schumann, Mueller
& Larson, P.C.

(57) **CLAIM**

The ornamental design for a “LED lamp,” as shown and described.

DESCRIPTION

FIG. 1 is a front, top and right side perspective view of a LED lamp showing our new design;
FIG. 2 is a rear, bottom and left side perspective view of a LED lamp showing our new design;
FIG. 3 is a front elevational view thereof;
FIG. 4 is a rear elevational view thereof;
FIG. 5 is a left side elevational view thereof;
FIG. 6 is a right side elevational view thereof;
FIG. 7 is a top plan view thereof; and,
FIG. 8 is a bottom plan view thereof.

1 Claim, 7 Drawing Sheets

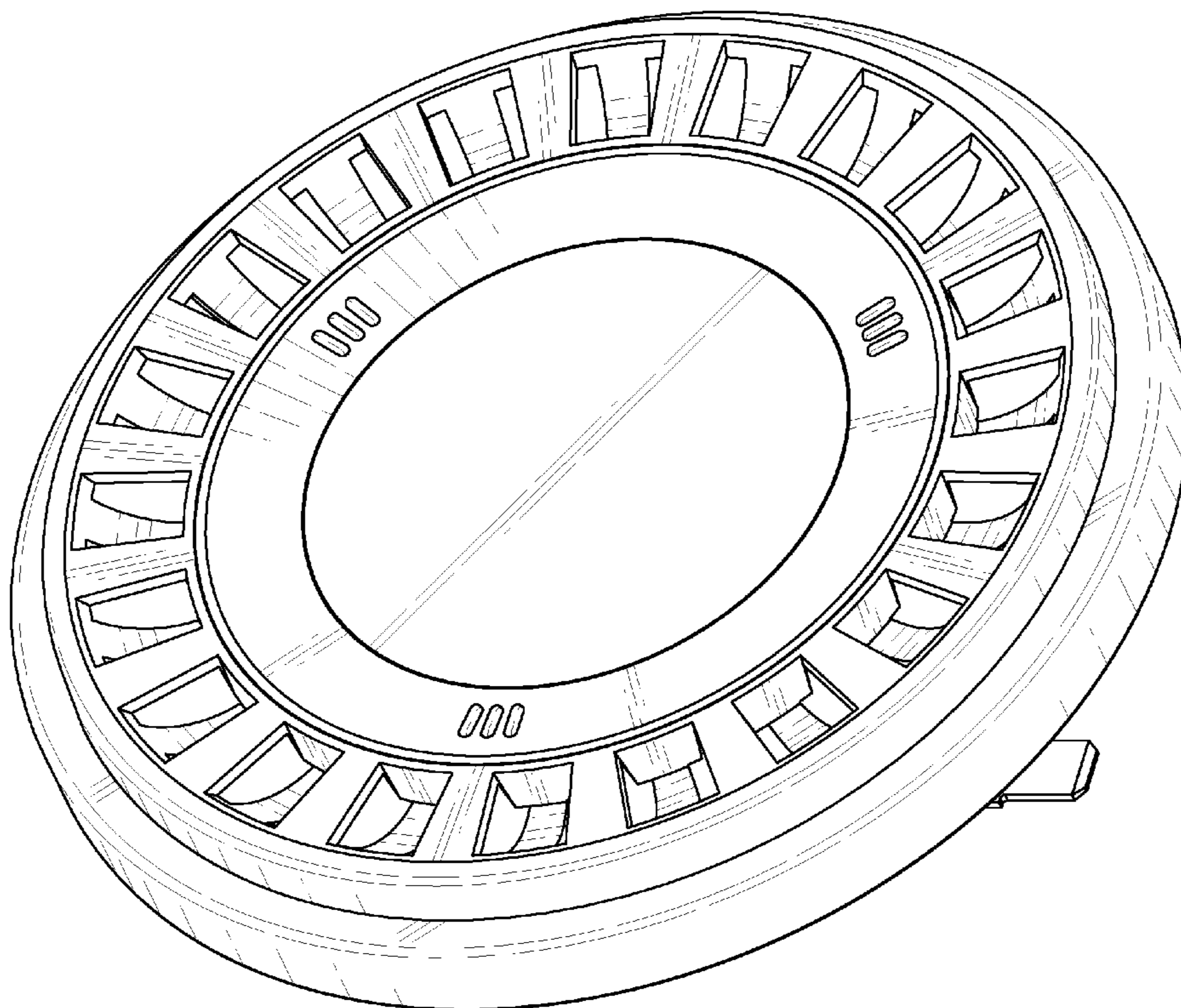


Fig. 1

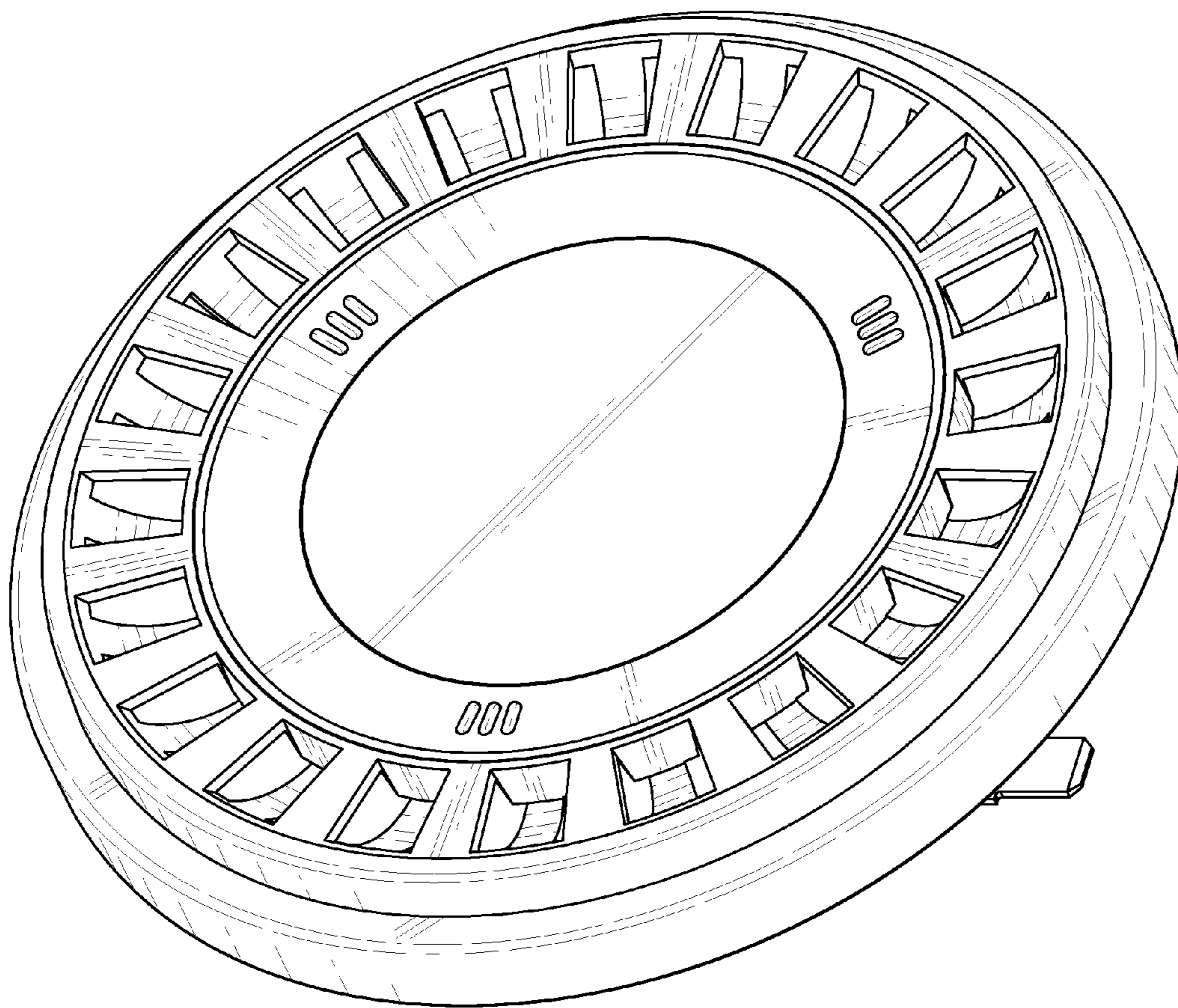


Fig. 2

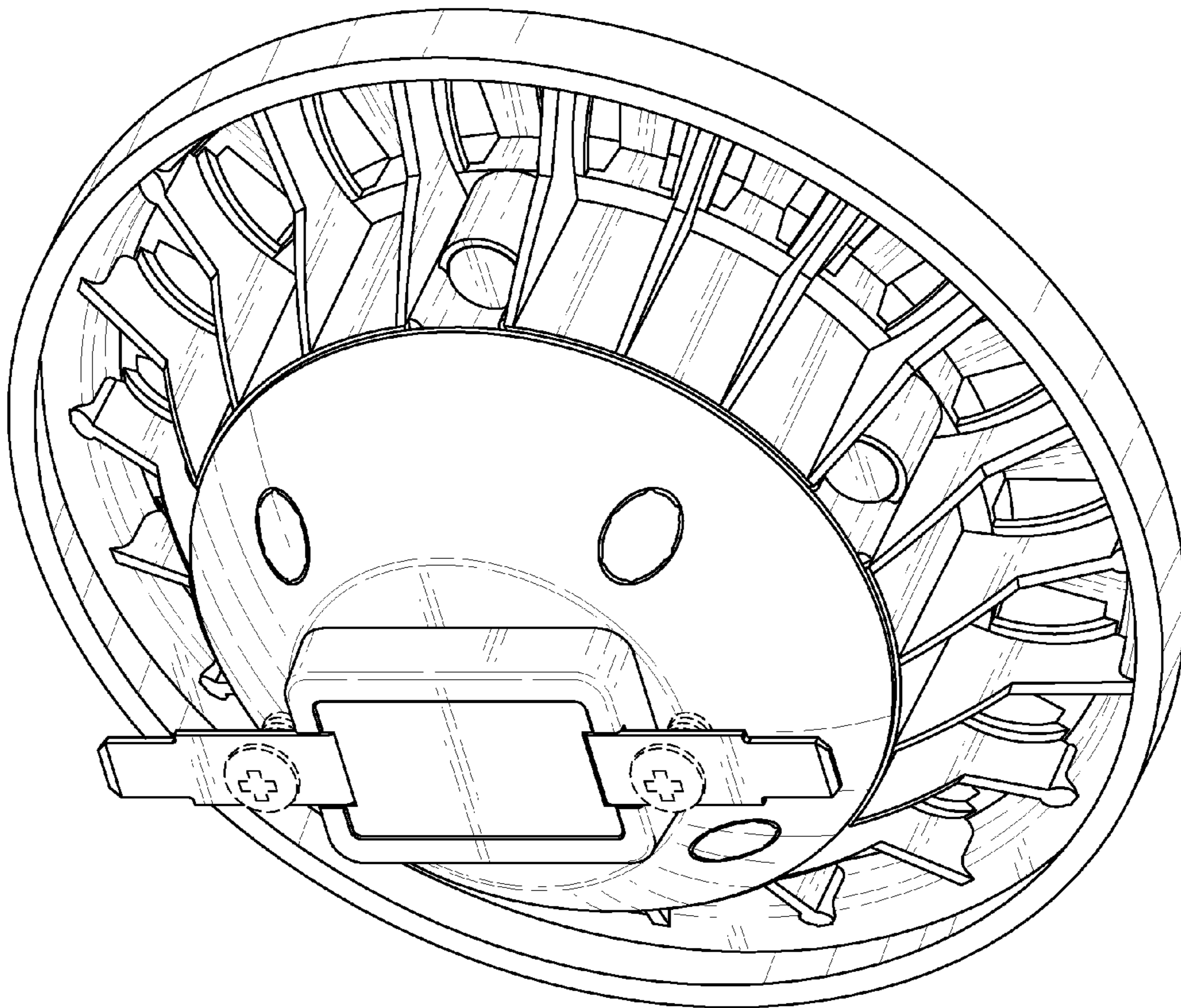


Fig. 3

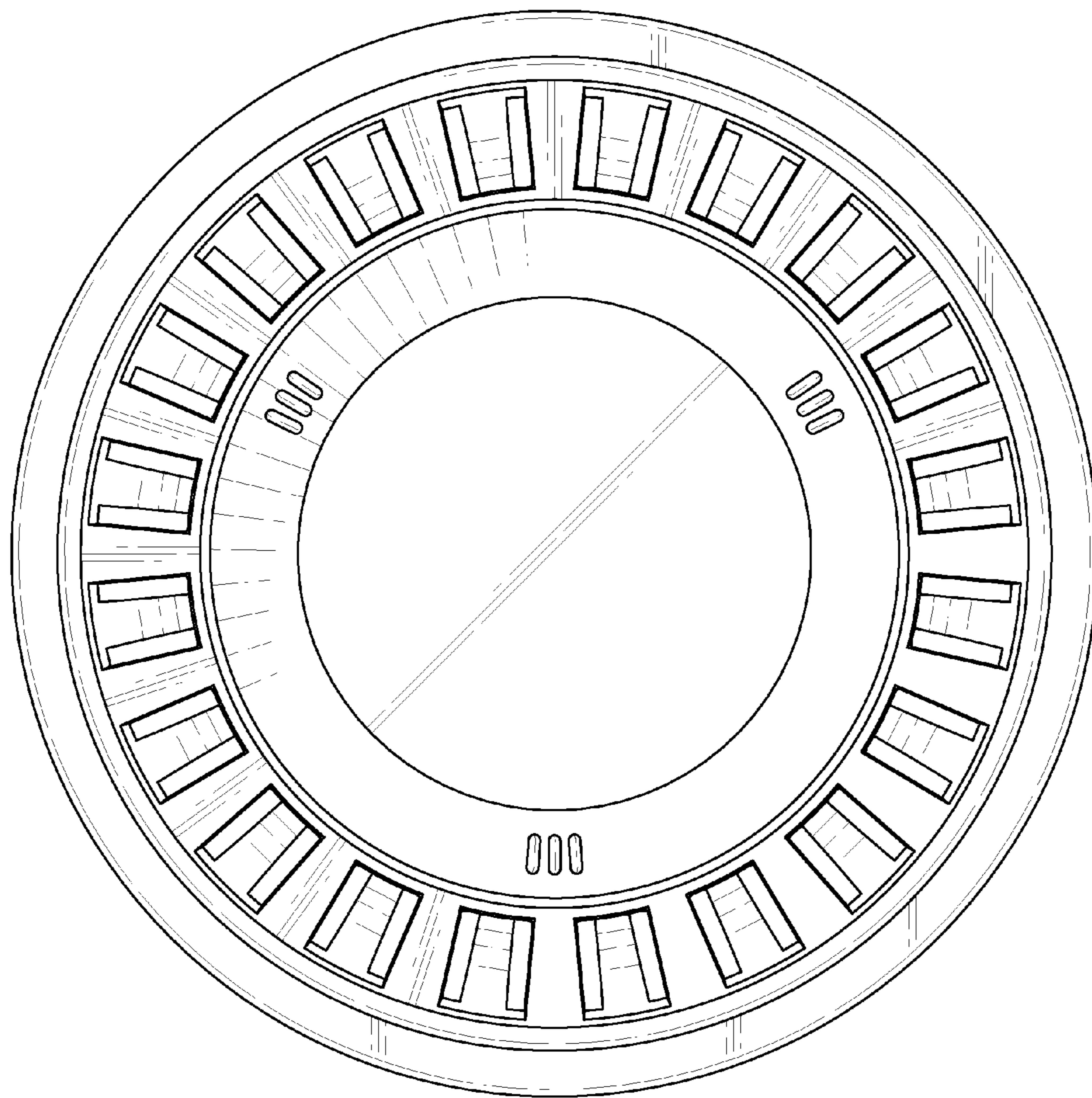


Fig. 4

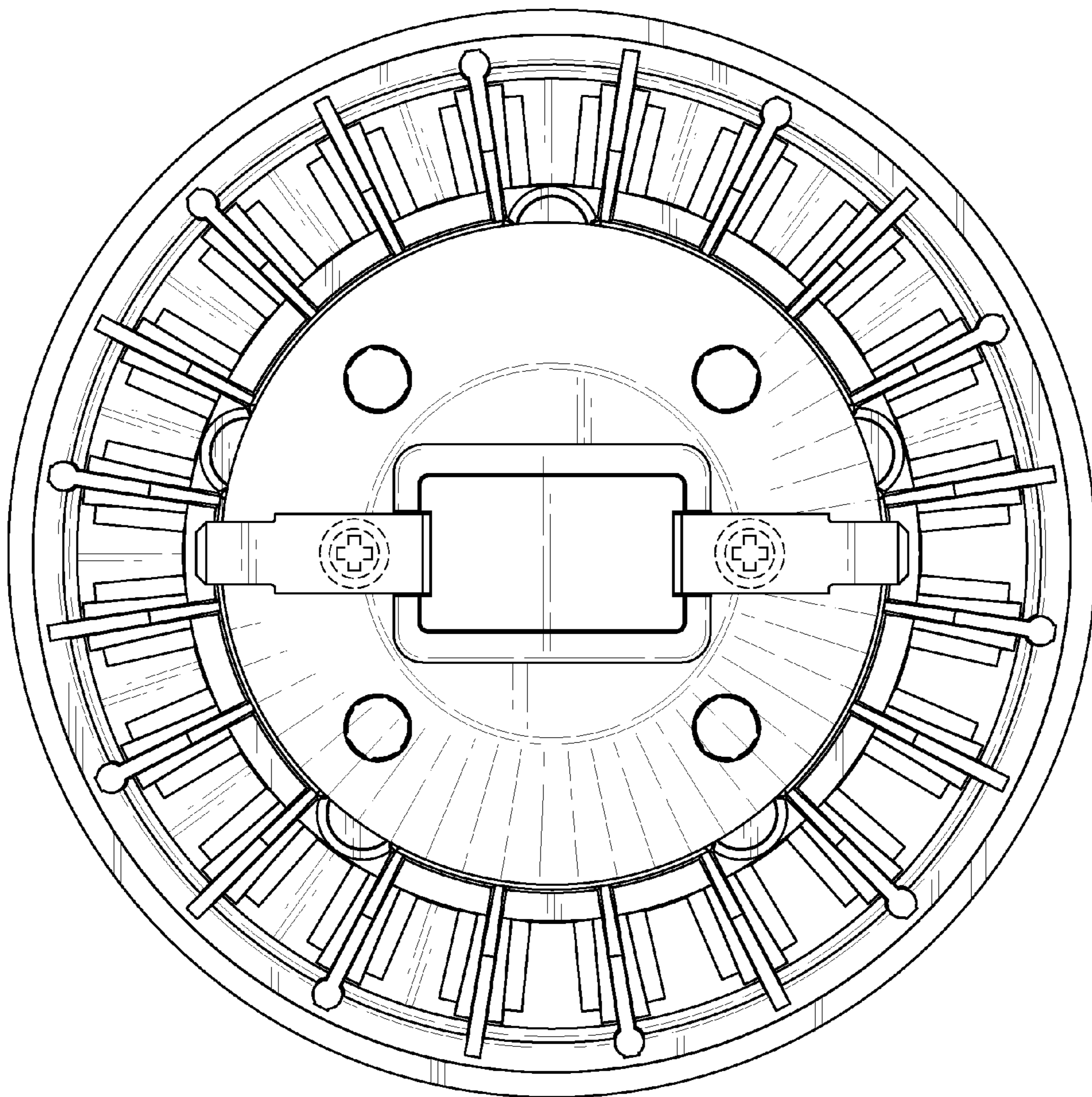


Fig. 5

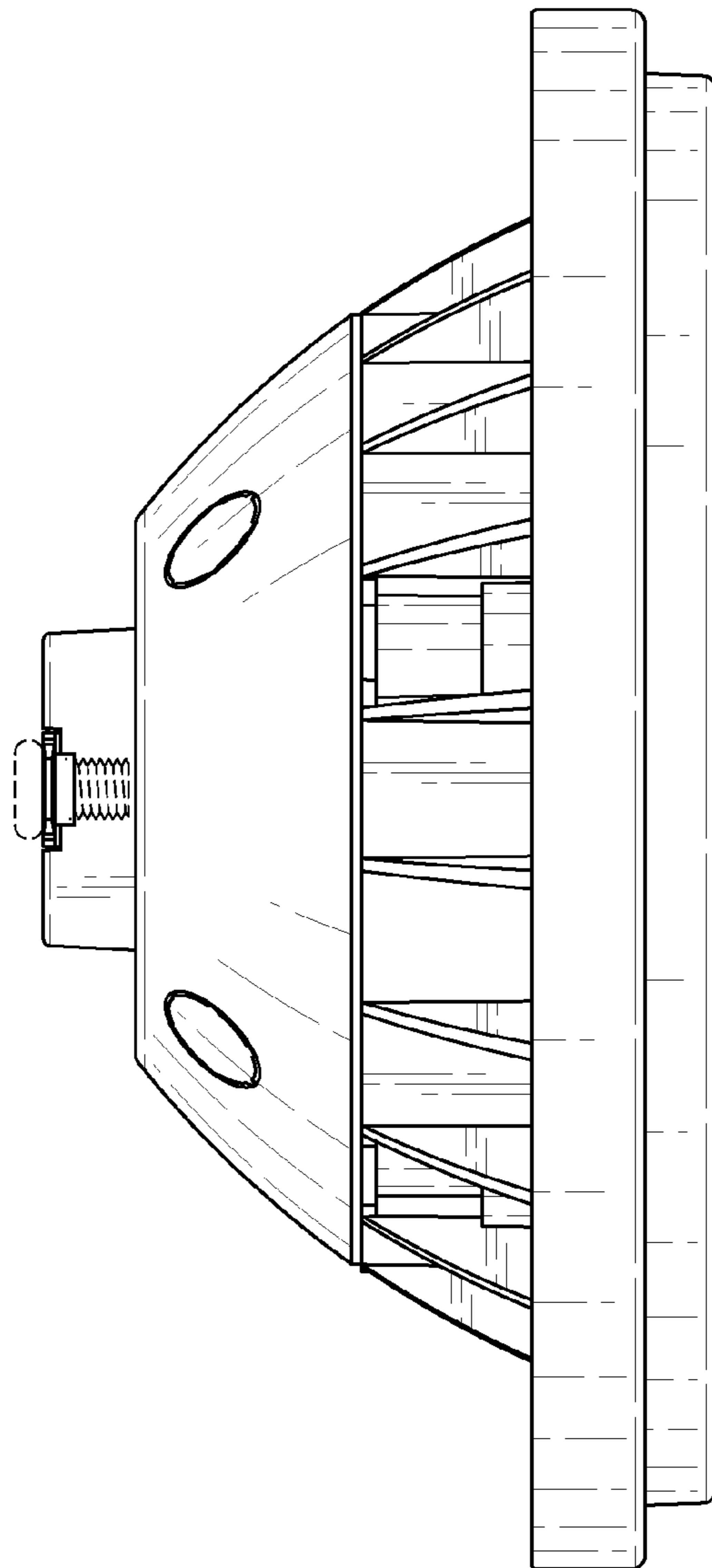


Fig. 6

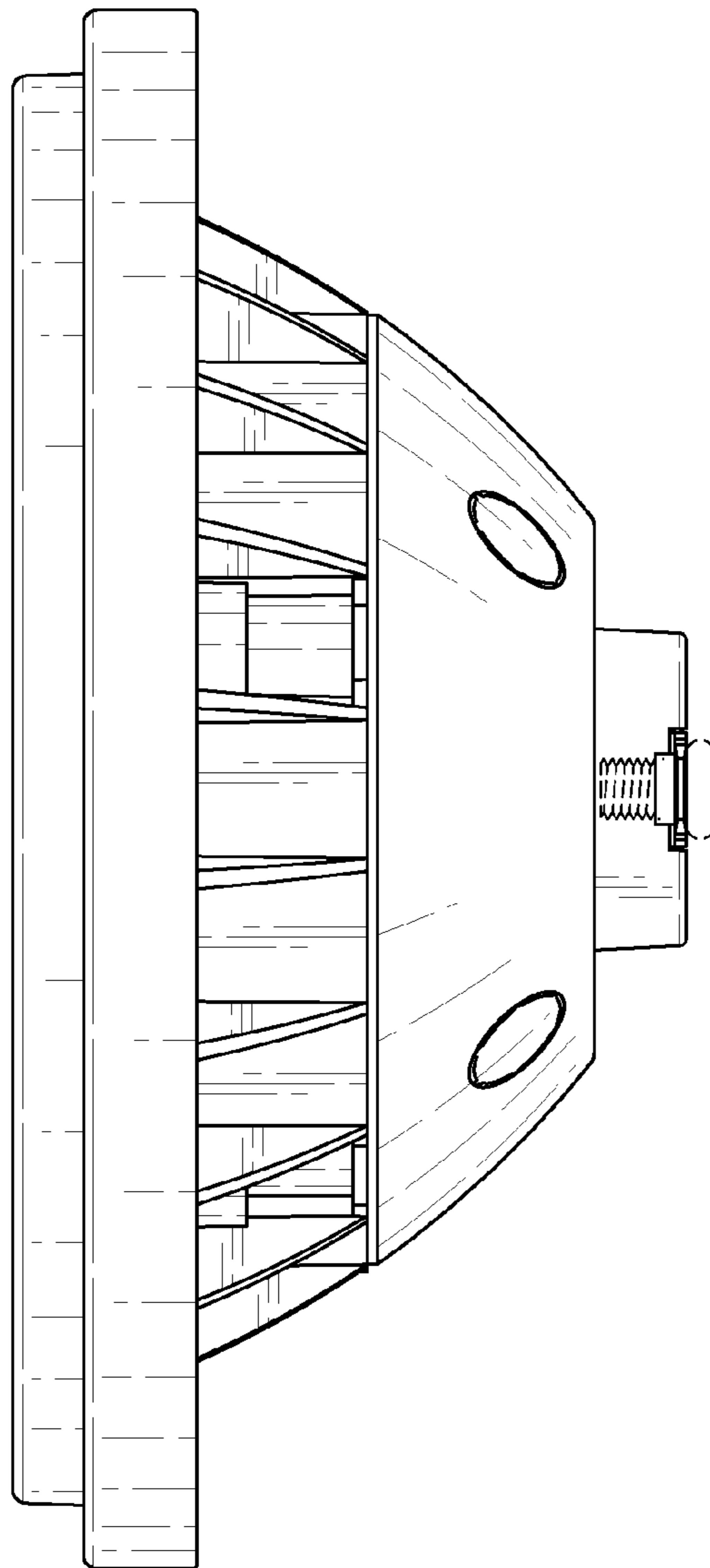


Fig. 7

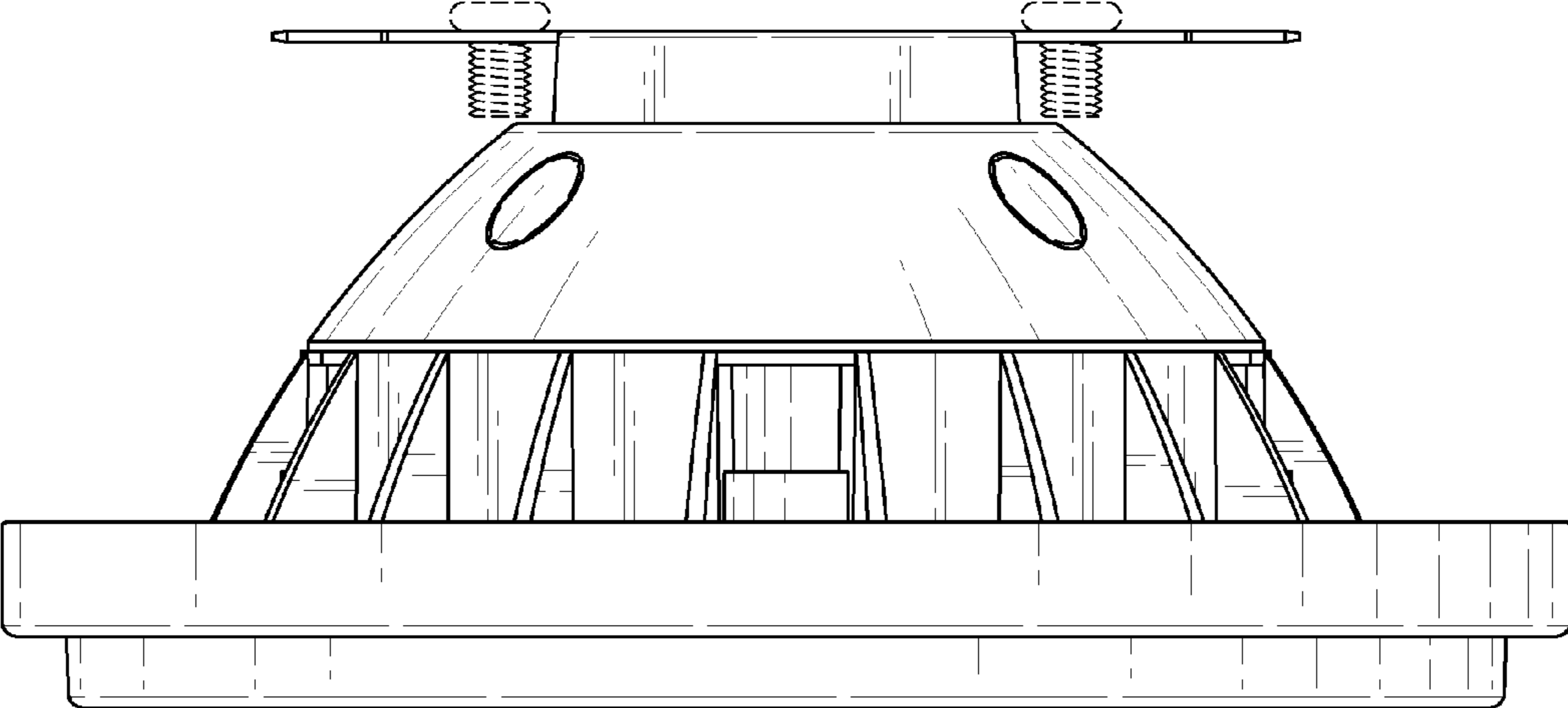


Fig. 8

