

US00D691746S

(12) **United States Design Patent**
Long et al.

(10) **Patent No.:** **US D691,746 S**
(45) **Date of Patent:** **** Oct. 15, 2013**

(54) **LED LAMP**

(71) Applicant: **BYD Company Limited**, Guangdong (CN)

(72) Inventors: **Feihong Long**, Guangdong (CN);
Weibin Jiang, Guangdong (CN)

(73) Assignee: **BYD Company Ltd.**, Guangdong (CN)

(**) Term: **14 Years**

(21) Appl. No.: **29/439,161**

(22) Filed: **Dec. 7, 2012**

(30) **Foreign Application Priority Data**

Jun. 8, 2012 (CN) 2012 3 0234121

(51) **LOC (9) Cl.** **26-04**

(52) **U.S. Cl.**
USPC **D26/2**

(58) **Field of Classification Search**
USPC D26/1-4; 313/313, 315, 316, 317, 318,
313/493; 315/52, 53, 56, 57, 58

See application file for complete search history.

(56) **References Cited**

U.S. PATENT DOCUMENTS

D610,274 S *	2/2010	Cho	D26/2
D610,722 S *	2/2010	Bi	D26/2
D623,777 S *	9/2010	Moon et al.	D26/2
D631,569 S *	1/2011	Bobel	D26/2
D631,571 S *	1/2011	Bobel	D26/2
D650,496 S *	12/2011	Beregszaszi et al.	D26/2

* cited by examiner

Primary Examiner — Marcus Jackson

(74) *Attorney, Agent, or Firm* — Morgan, Lewis & Bockius LLP

(57) **CLAIM**

The ornamental design for a LED Lamp, as shown and described.

DESCRIPTION

FIG. 1 is a front view of an LED lamp, according to an embodiment of the new design.

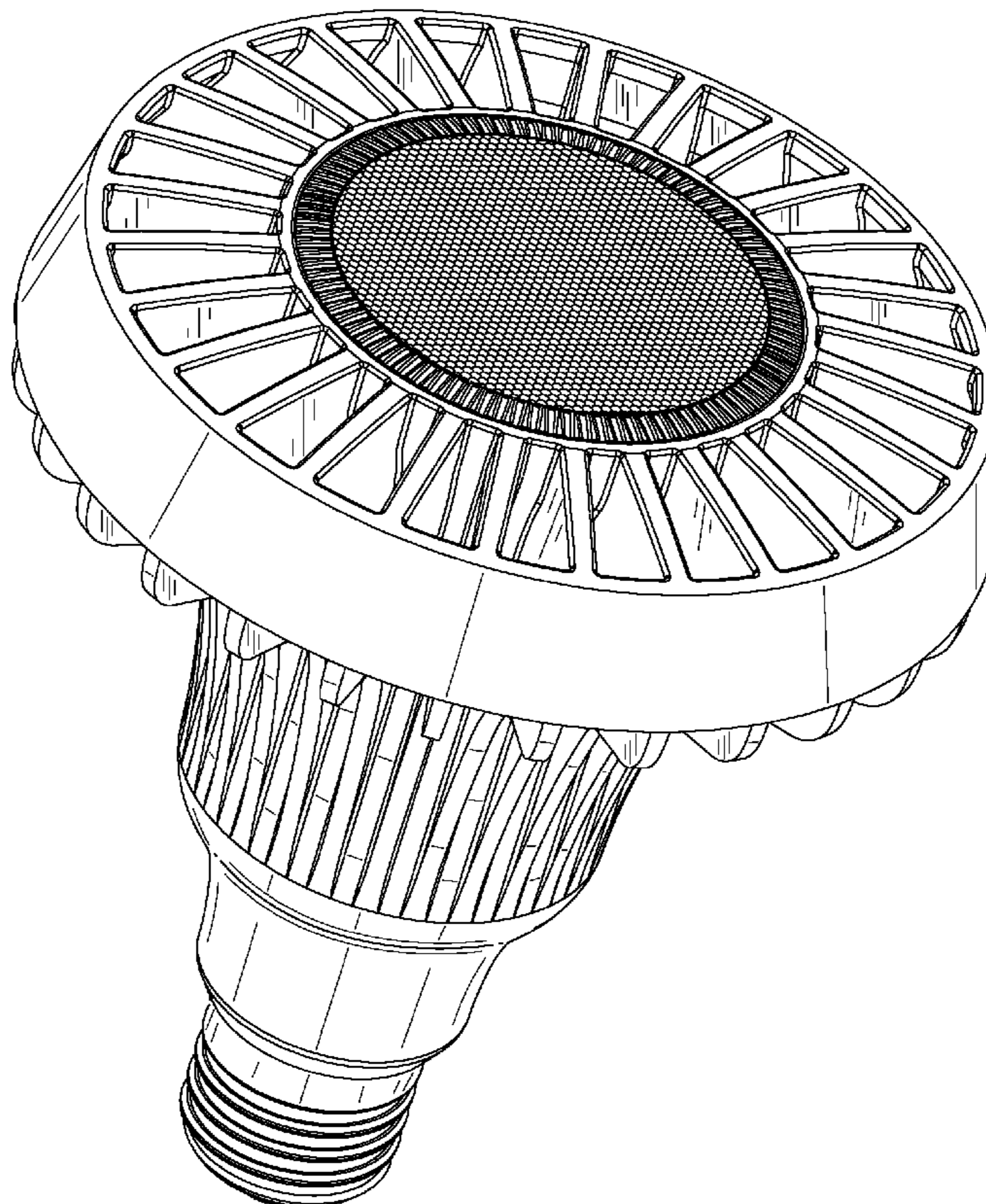
FIG. 2 is a bottom view of the LED lamp, according to an embodiment of the new design.

FIG. 3 is a top view of the LED lamp, according to an embodiment of the new design.

FIG. 4 is a top perspective view of the LED lamp, according to an embodiment of the new design; and,

FIG. 5 is a side perspective view of the LED lamp, according to an embodiment of the new design.

1 Claim, 5 Drawing Sheets



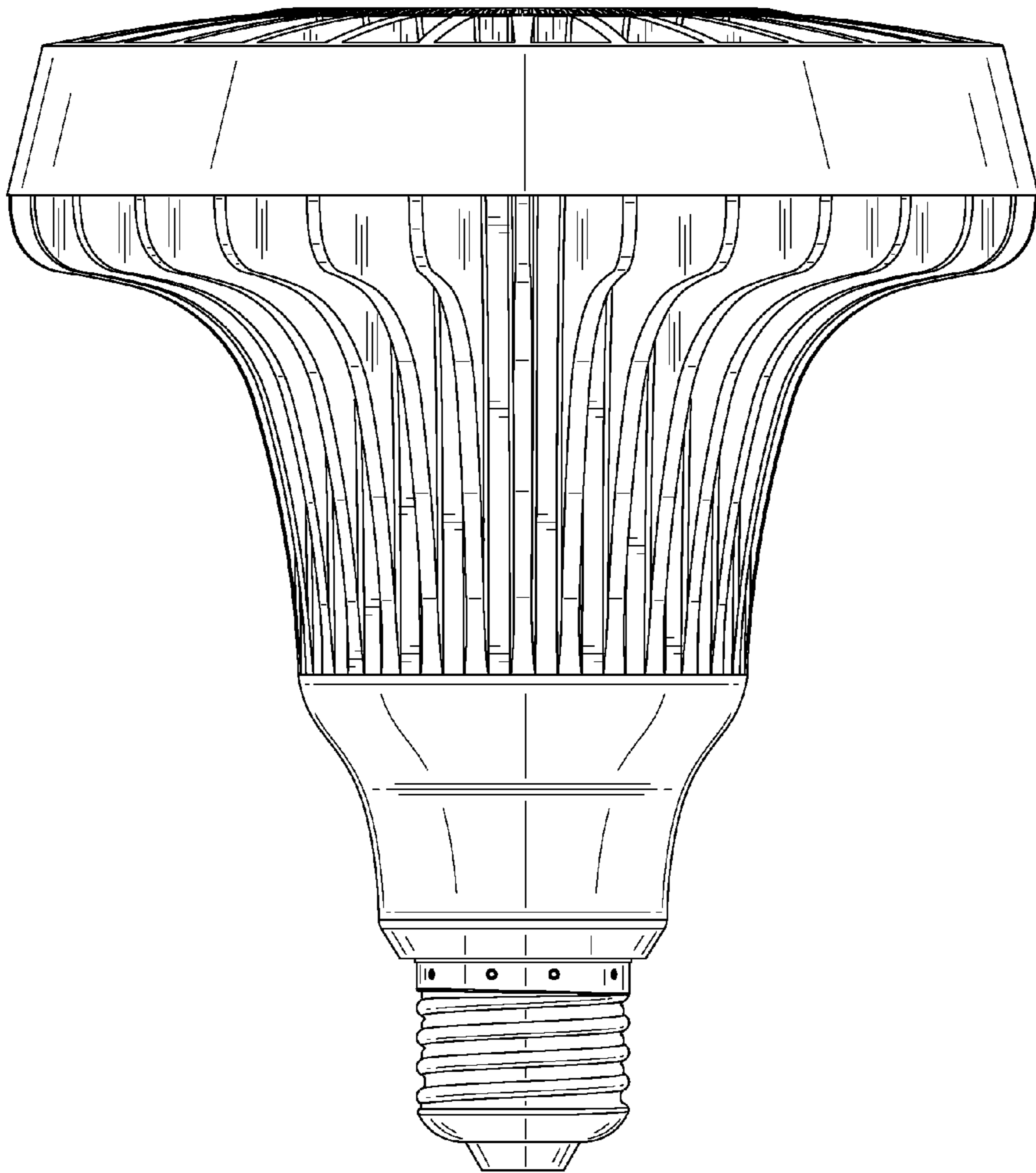


FIG. 1

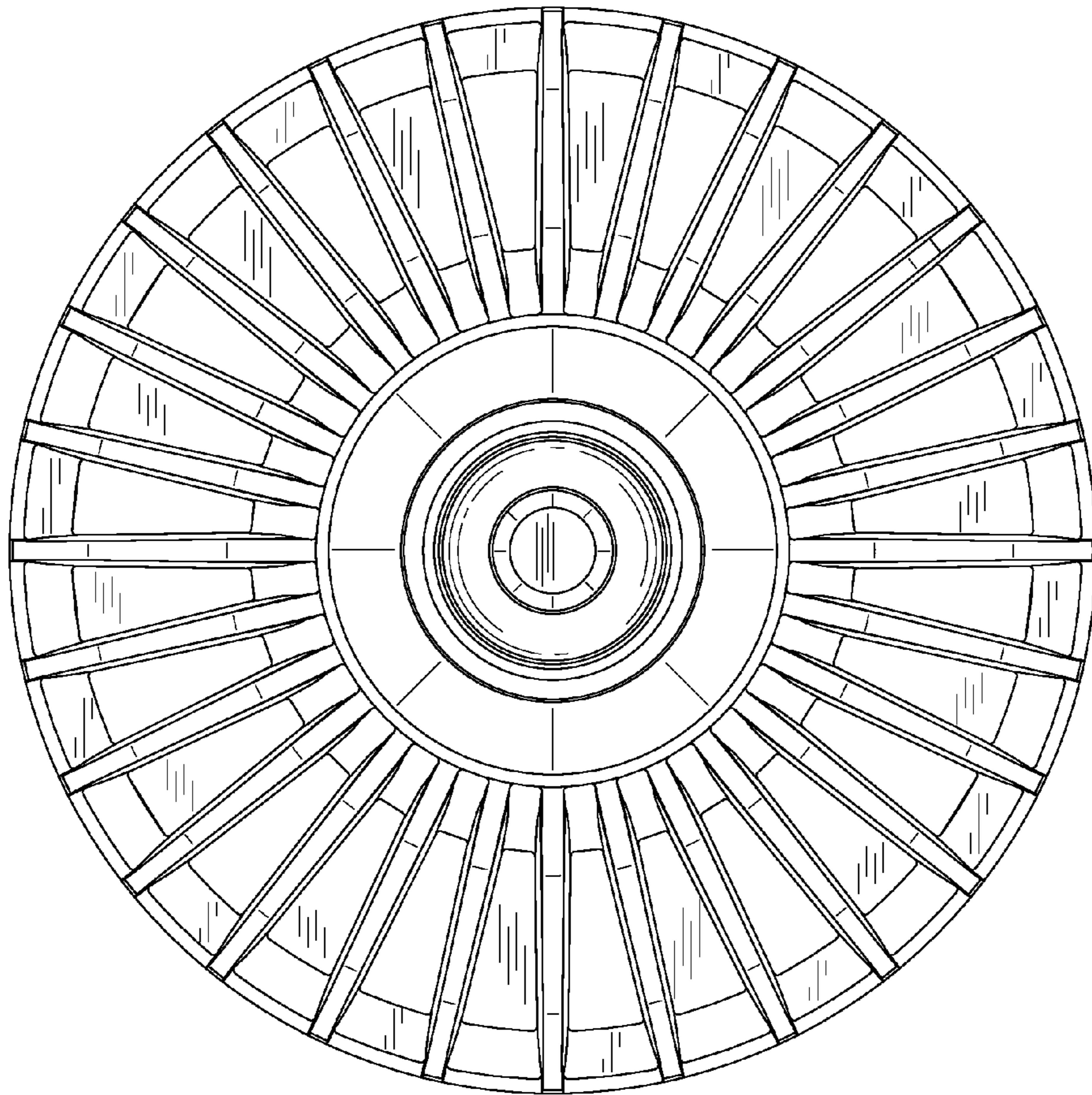


FIG. 2

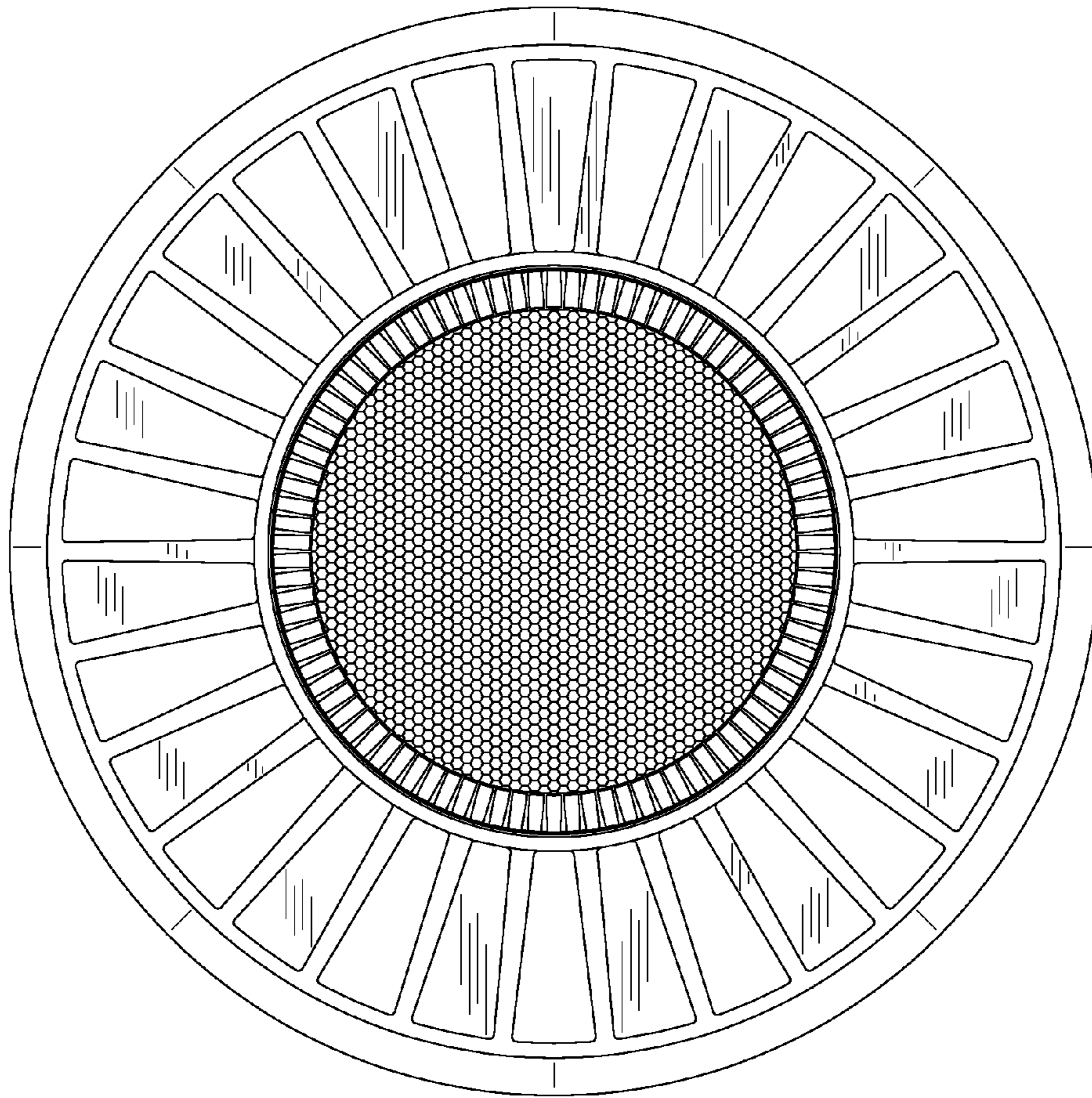


FIG. 3

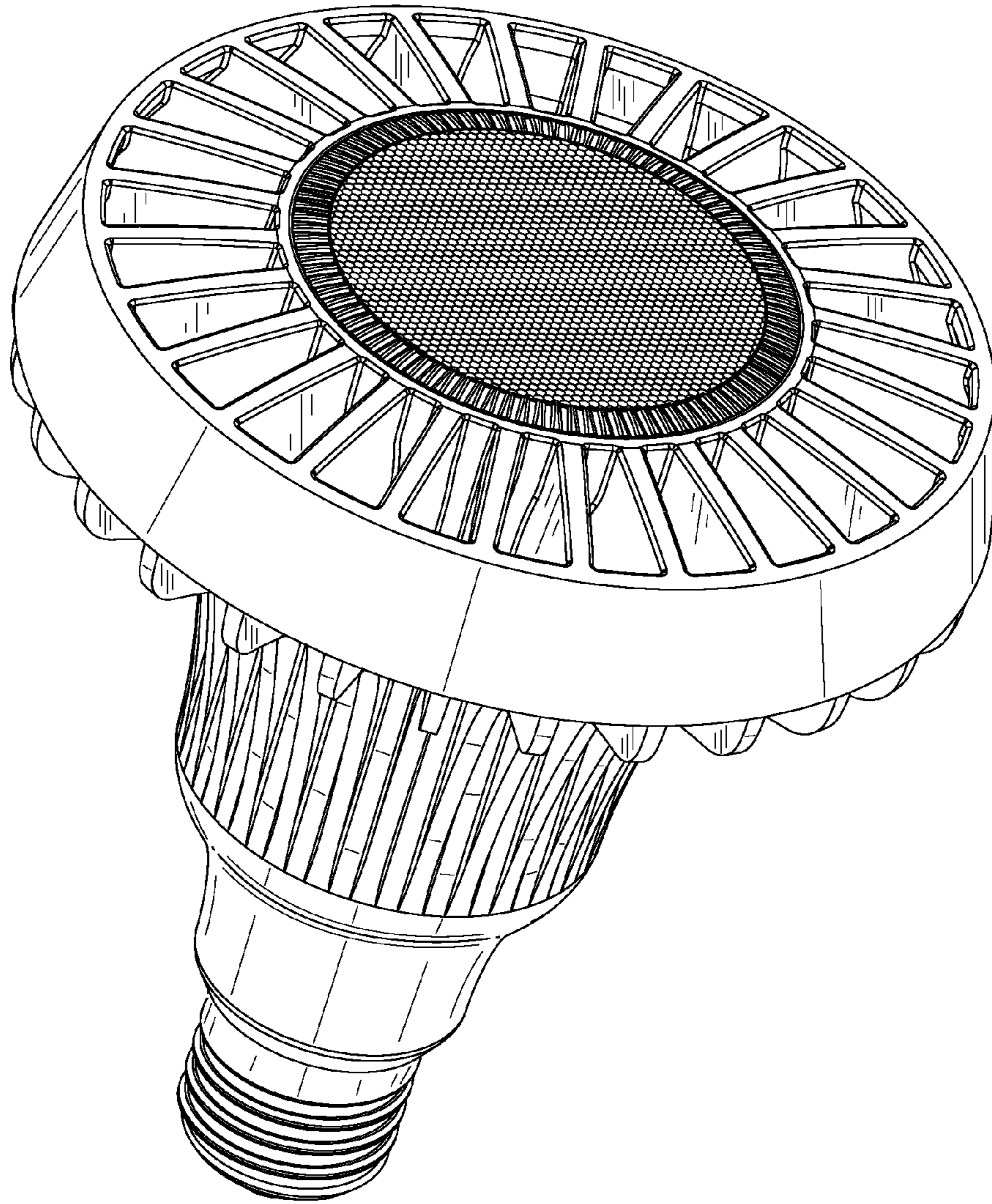


FIG. 4

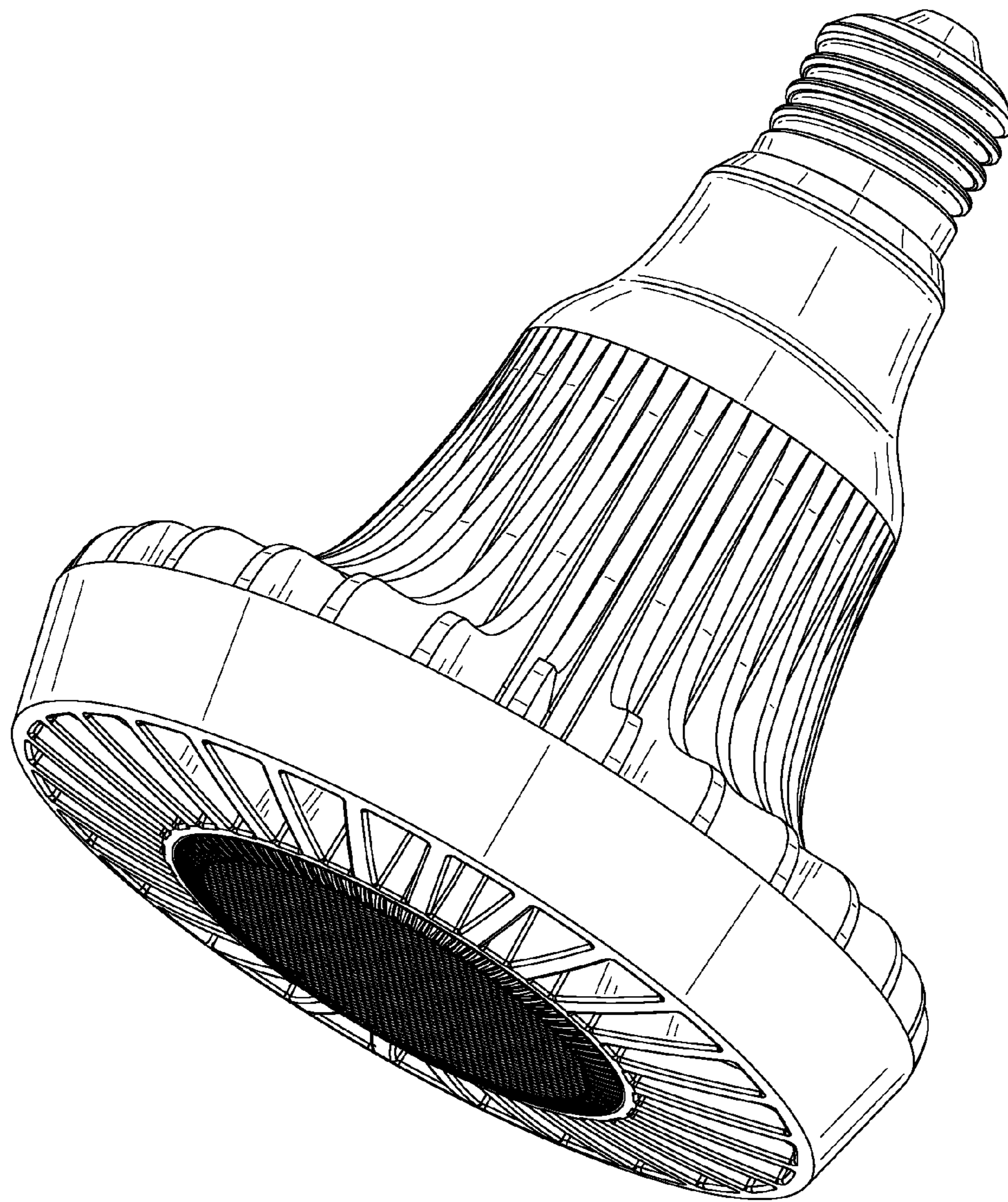


FIG. 5