

US00D691744S

(12) **United States Design Patent**  
**Tseng**

(10) **Patent No.:** **US D691,744 S**

(45) **Date of Patent:** **\*\* Oct. 15, 2013**

- (54) **NARROW BEAM LED MODULE**
- (75) **Inventor:** **Peter K. Tseng**, San Jose, CA (US)
- (73) **Assignee:** **Xicato, Inc.**, San Jose, CA (US)
- (\*\*) **Term:** **14 Years**
- (21) **Appl. No.:** **29/416,035**
- (22) **Filed:** **Mar. 16, 2012**
- (51) **LOC (9) Cl.** ..... **26-04**
- (52) **U.S. Cl.**  
USPC ..... **D26/1**
- (58) **Field of Classification Search**  
USPC ..... D26/1-4; 313/313, 315, 316, 317, 318,  
313/493; 315/52, 53, 56, 57, 58; D13/180  
See application file for complete search history.

- 2006/0169999 A1 8/2006 Park et al.
- 2006/0180824 A1 8/2006 Kim et al.
- 2008/0217643 A1 9/2008 Lin et al.

**OTHER PUBLICATIONS**

Notice of Allowance mailed on Jun. 22, 2009 for Design U.S. Appl. No. 29/328,093, filed Nov. 18, 2008 by Xicato, Inc., 8 pages.  
Amendment after Notice of Allowance mailed on Jul. 14, 2009 for Design U.S. Appl. No. 29/328,093, filed Nov. 18, 2008 by Xicato, Inc., 4 pages.

\* cited by examiner

*Primary Examiner* — Marcus Jackson

(74) *Attorney, Agent, or Firm* — Silicon Valley Patent Group LLP

(57) **CLAIM**

The ornamental design for a narrow beam LED module, as shown.

**DESCRIPTION**

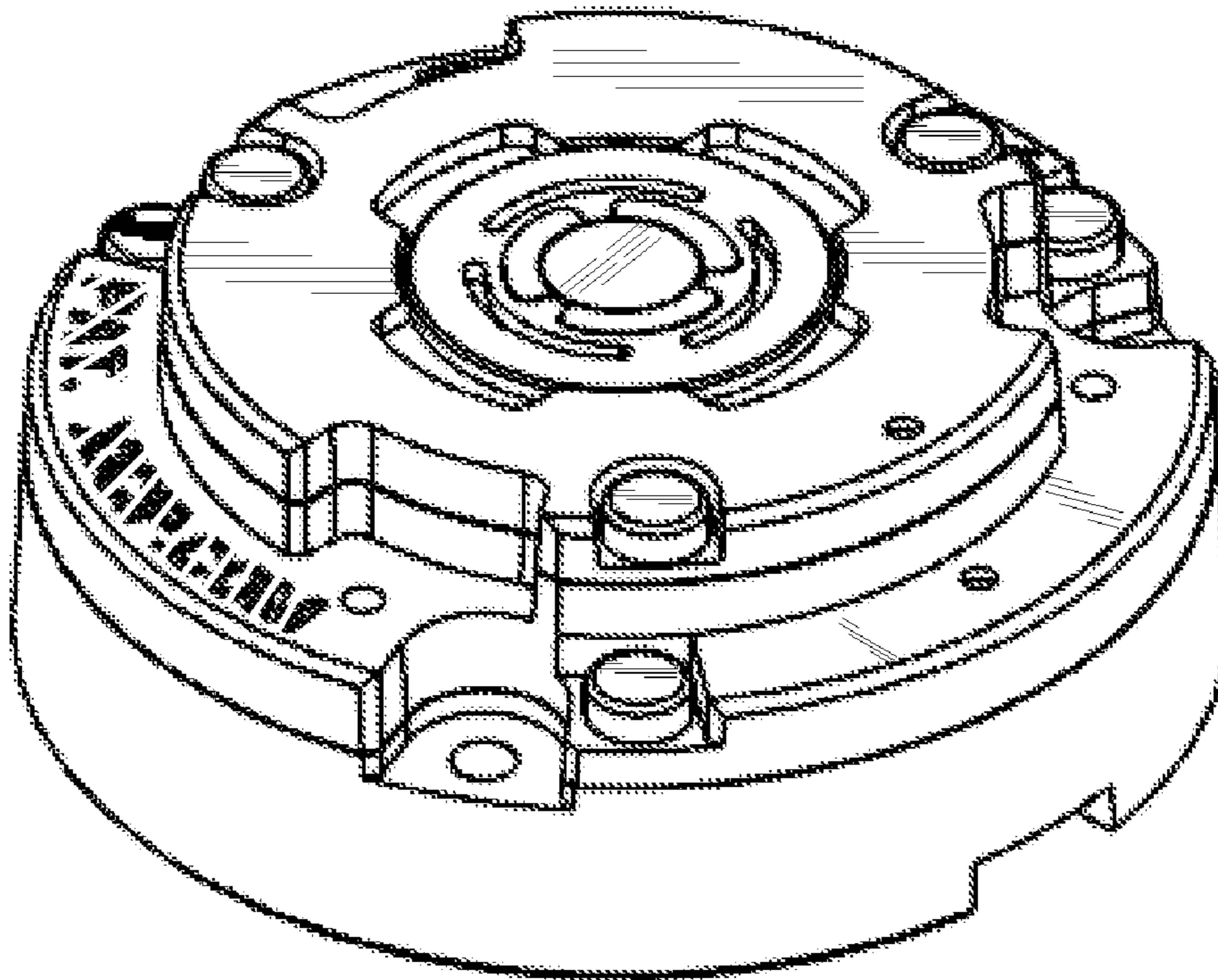
FIG. 1 is a top perspective view of a narrow beam LED module showing my new design;  
FIG. 2 is a top left perspective view thereof;  
FIG. 3 is a top plan view thereof;  
FIG. 4 is a left elevational view thereof;  
FIG. 5 is a right elevational view thereof;  
FIG. 6 is a front elevational view thereof;  
FIG. 7 is a back elevational view thereof; and,  
FIG. 8 is a bottom plan view thereof.

**1 Claim, 4 Drawing Sheets**

(56) **References Cited**

**U.S. PATENT DOCUMENTS**

D508,291 S *	8/2005	Janssen	.....	D26/1
D512,694 S	12/2005	Kim et al.		
D548,857 S *	8/2007	Egawa	.....	D26/1
D563,333 S	3/2008	Kim		
7,479,660 B2	1/2009	Kobilke		
D589,470 S	3/2009	Chen		
D598,873 S	8/2009	Tseng		
D600,836 S *	9/2009	Hanley et al.	.....	D26/1
D625,847 S *	10/2010	Maglica	.....	D26/1
D626,255 S *	10/2010	Hiratsuka	.....	D26/1



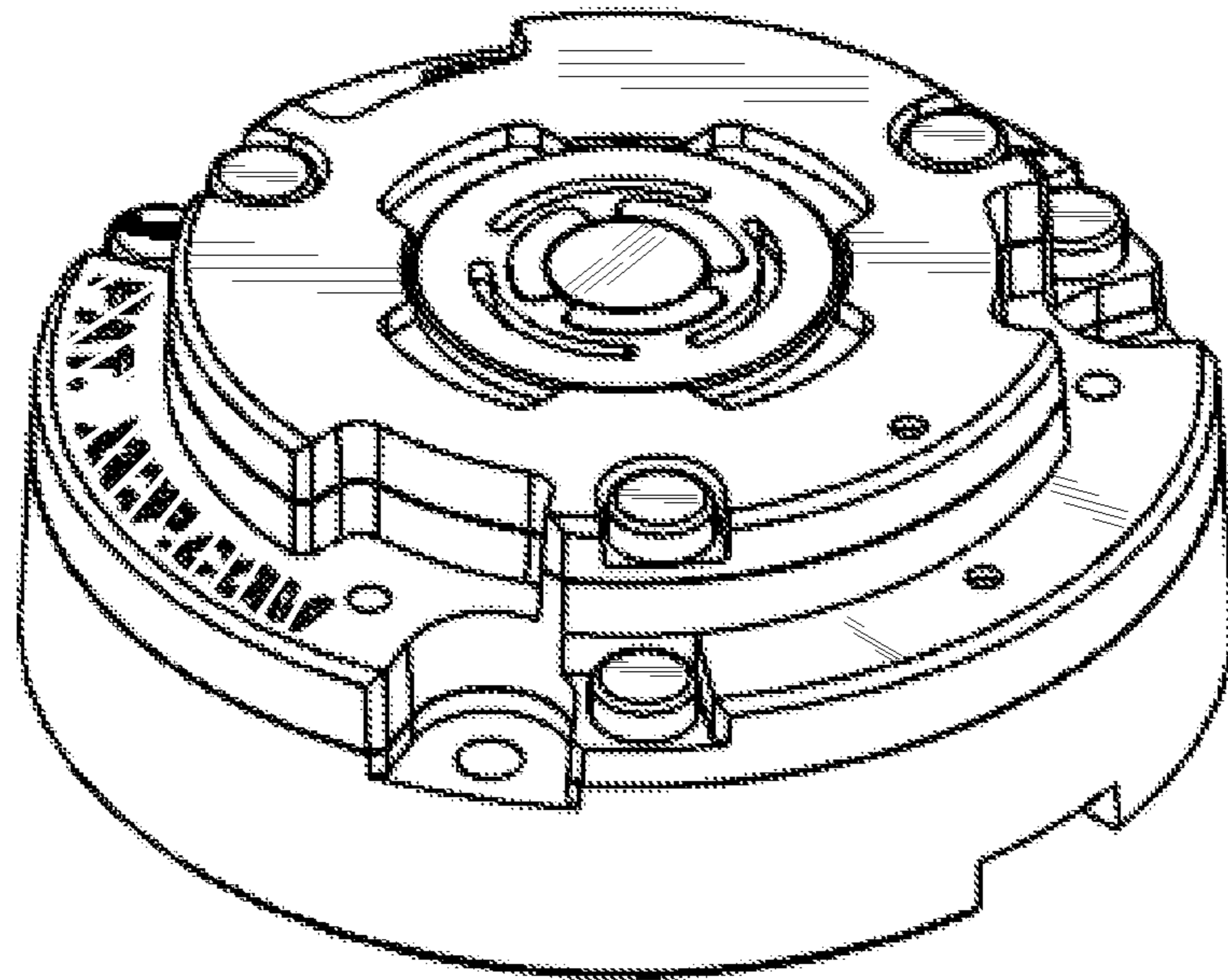


FIG. 1

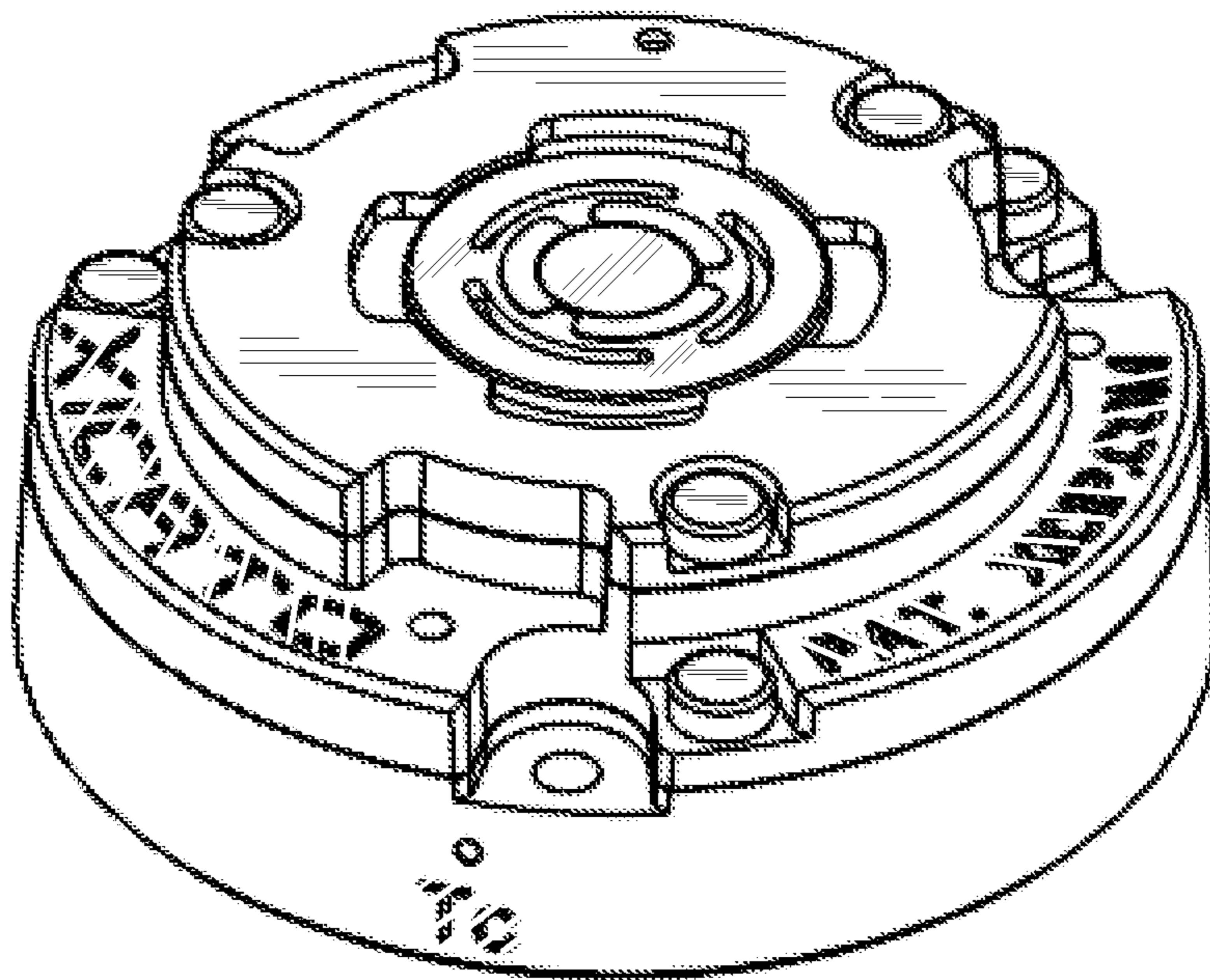


FIG. 2

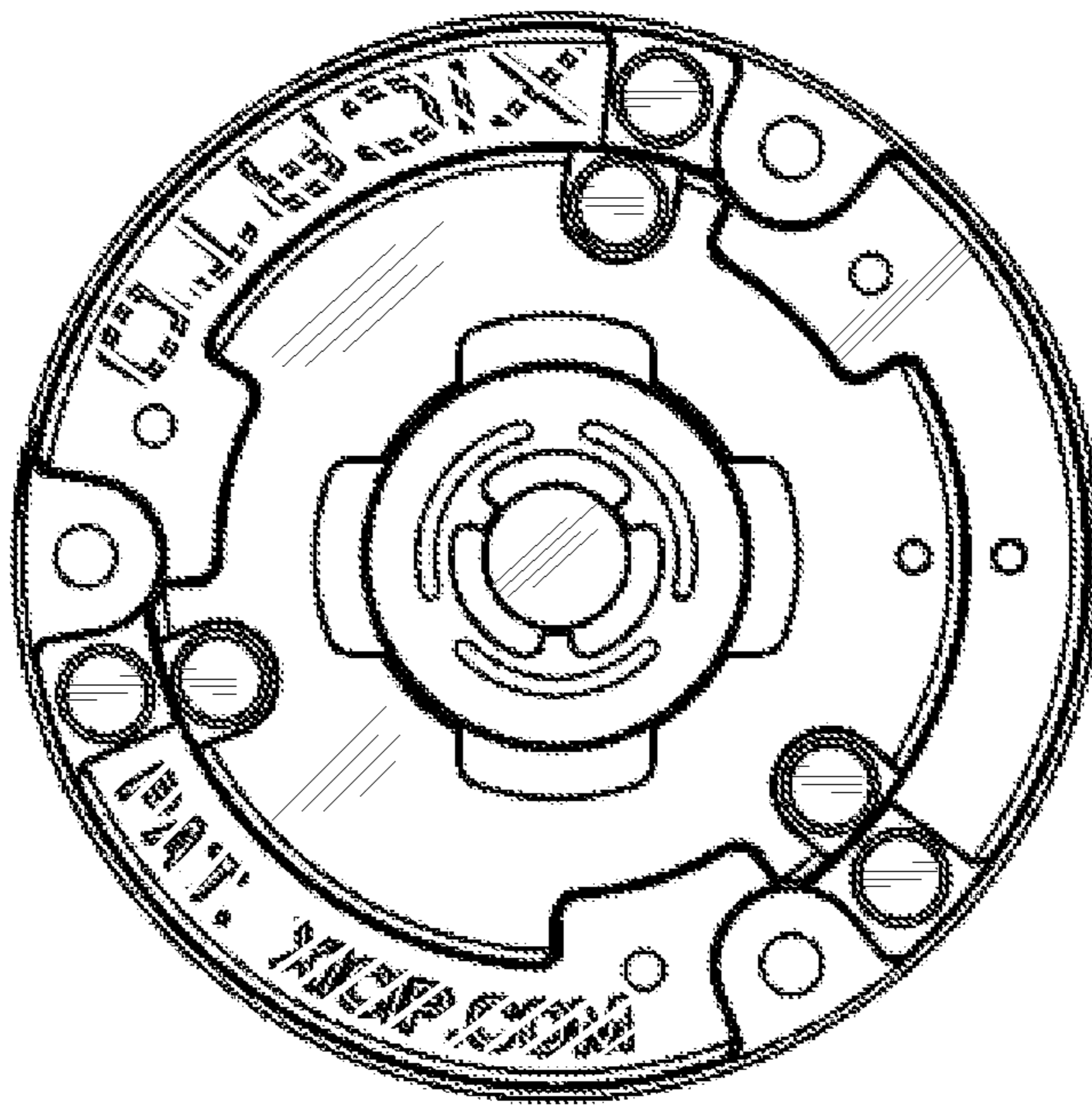


FIG. 3

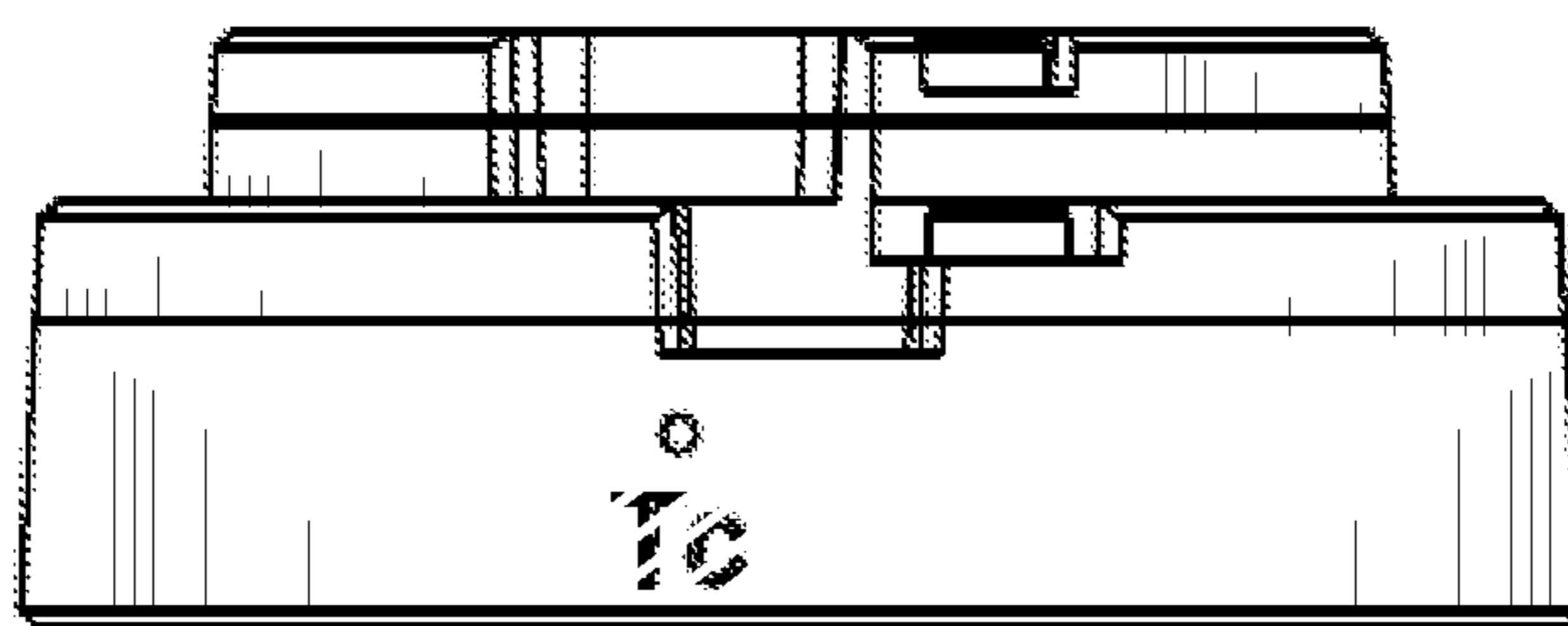


FIG. 4

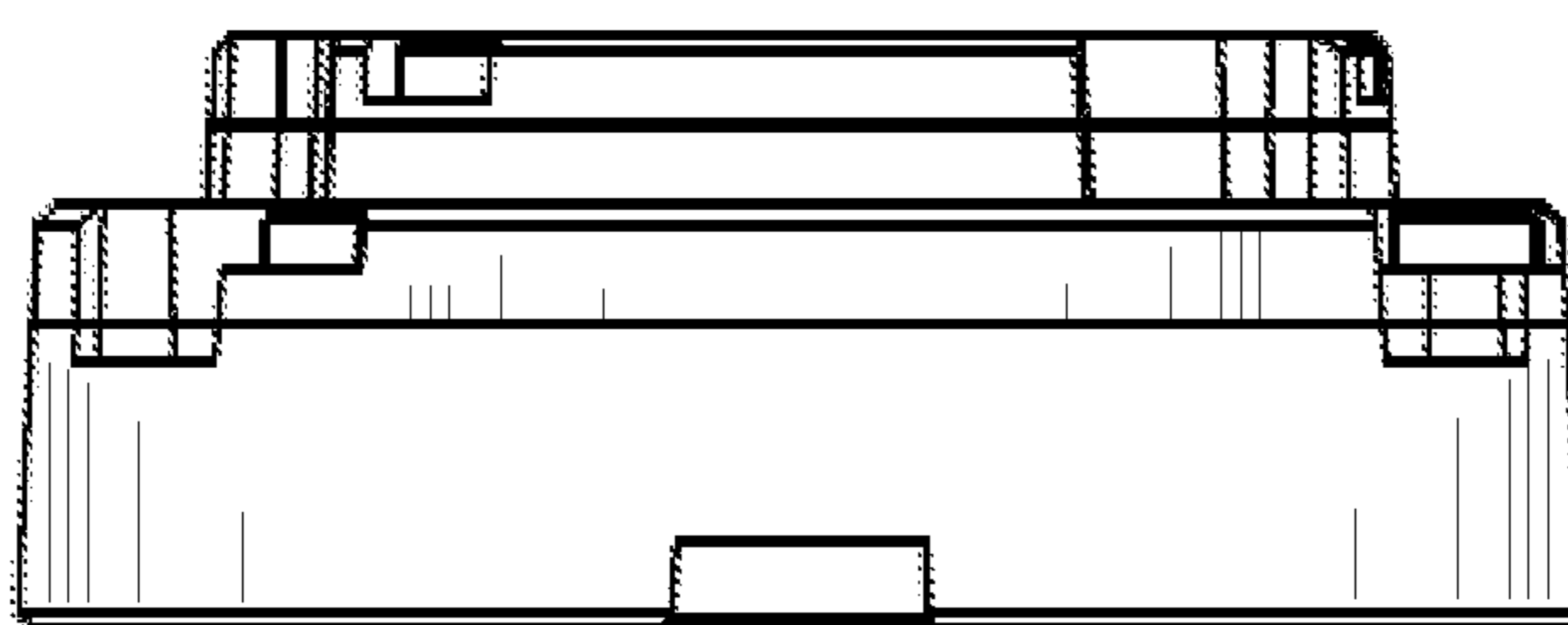


FIG. 5

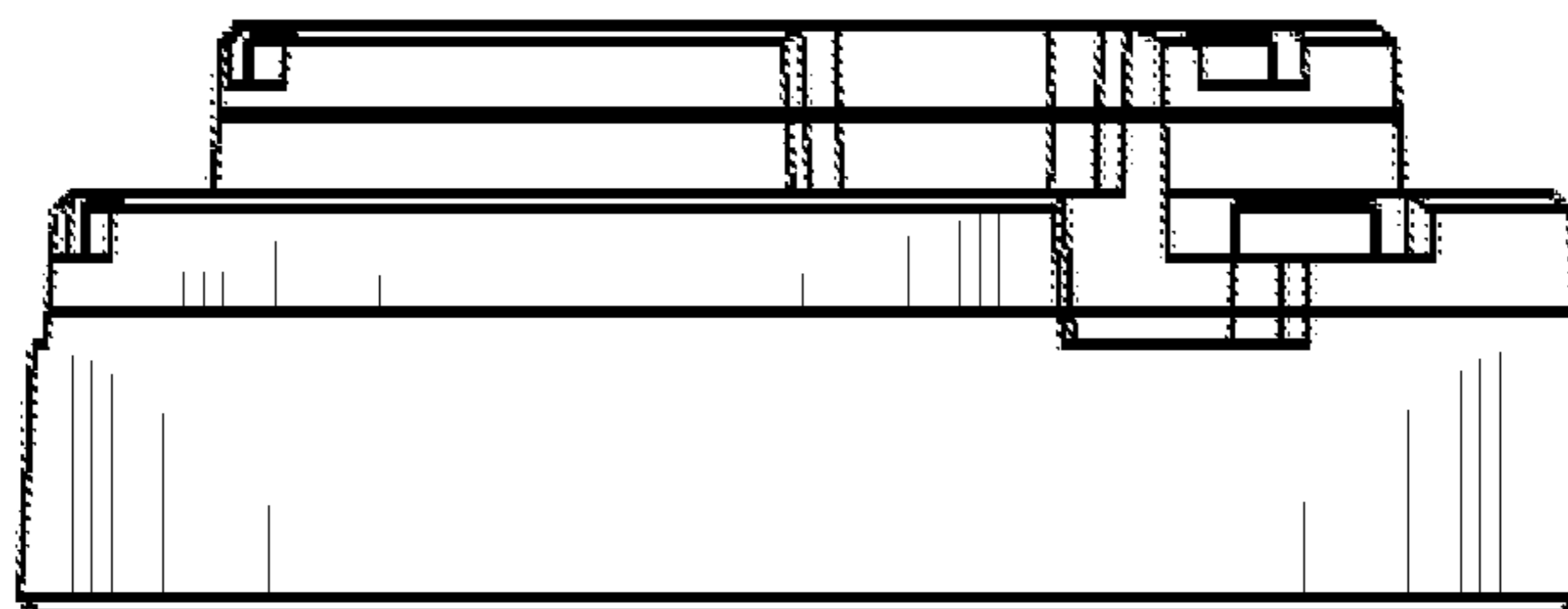


FIG. 6

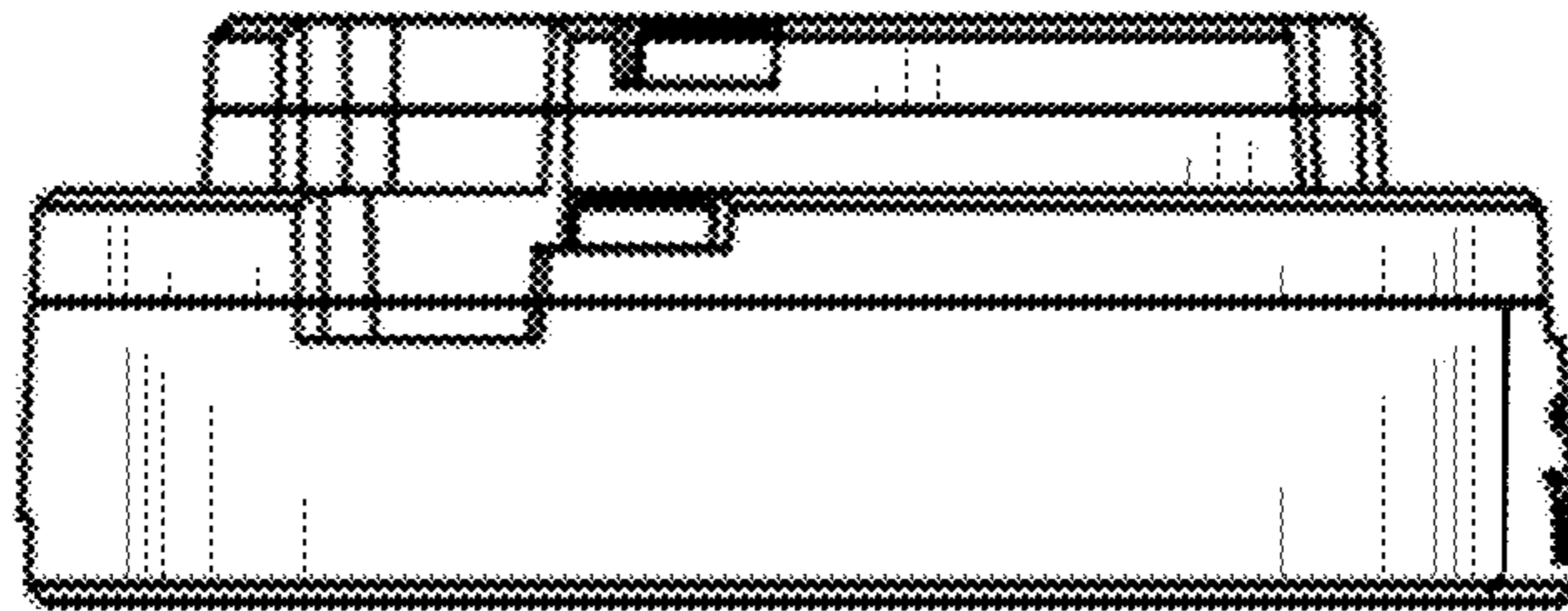


FIG. 7

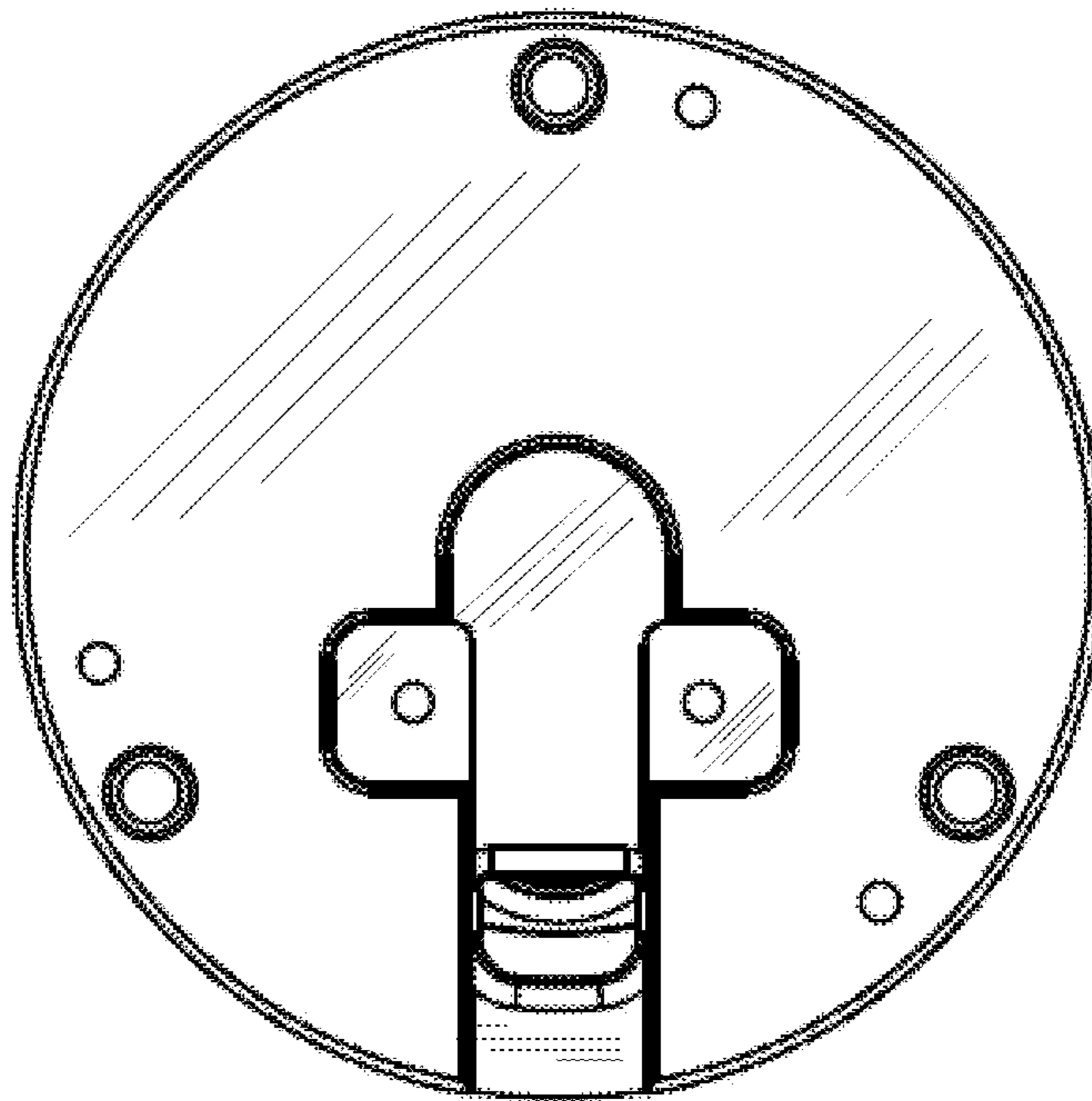


FIG. 8