



US00D691742S

(12) **United States Design Patent**  
**Damen et al.**

(10) **Patent No.:** **US D691,742 S**

(45) **Date of Patent:** **\*\* Oct. 15, 2013**

(54) **MULTI-SLAT ARCHITECTURAL PANEL**

(56)

**References Cited**

(71) Applicants: **Michael Damen**, Rochetoirin (FR);  
**Guillaume Martin**, Rochetoirin (FR)

(72) Inventors: **Michael Damen**, Rochetoirin (FR);  
**Guillaume Martin**, Rochetoirin (FR)

(73) Assignee: **3form, Inc.**, Salt Lake City, UT (US)

(\*\*) Term: **14 Years**

(21) Appl. No.: **29/452,948**

(22) Filed: **Apr. 23, 2013**

U.S. PATENT DOCUMENTS

2,252,533	A	8/1941	Tench	
2,656,168	A	10/1953	Ayres	
D187,620	S	4/1960	Logan	
3,267,628	A *	8/1966	Seery .....	52/311.3
3,396,497	A *	8/1968	Murphy .....	52/80.1
D374,727	S	10/1996	Emanuele	
D512,521	S	12/2005	Gulbrandsen	
D521,658	S *	5/2006	Gulbrandsen .....	D25/153

\* cited by examiner

*Primary Examiner* — Doris Clark

(74) *Attorney, Agent, or Firm* — Workman Nydegger

(57)

**CLAIM**

The ornamental design for a multi-slat architectural panel, as shown and described.

**DESCRIPTION**

FIG. 1 is a front, top right perspective view of a multi-slat architectural panel;  
FIG. 2 is a left elevational view thereof;  
FIG. 3 is a right elevational view thereof;  
FIG. 4 is a top plan view thereof;  
FIG. 5 is a bottom plan view thereof; and,  
FIG. 6 is a front elevational view thereof.  
The broken lines included in the drawings are for illustrative purposes and form no part of the claimed design.

**Related U.S. Application Data**

(62) Division of application No. 29/411,794, filed on Jan. 26, 2012, now Pat. No. Des. 685,114.

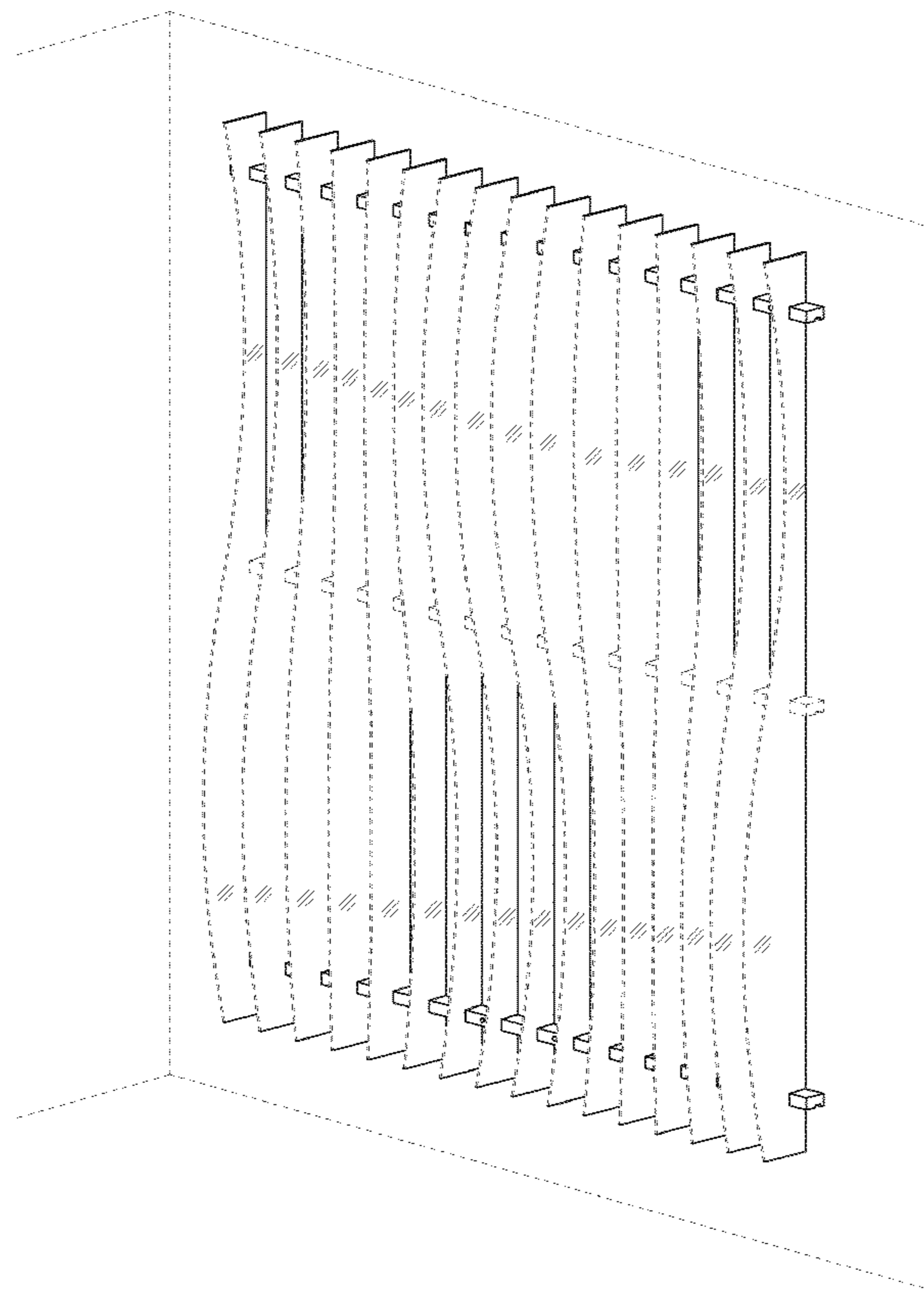
(51) **LOC (9) Cl.** ..... **25-01**

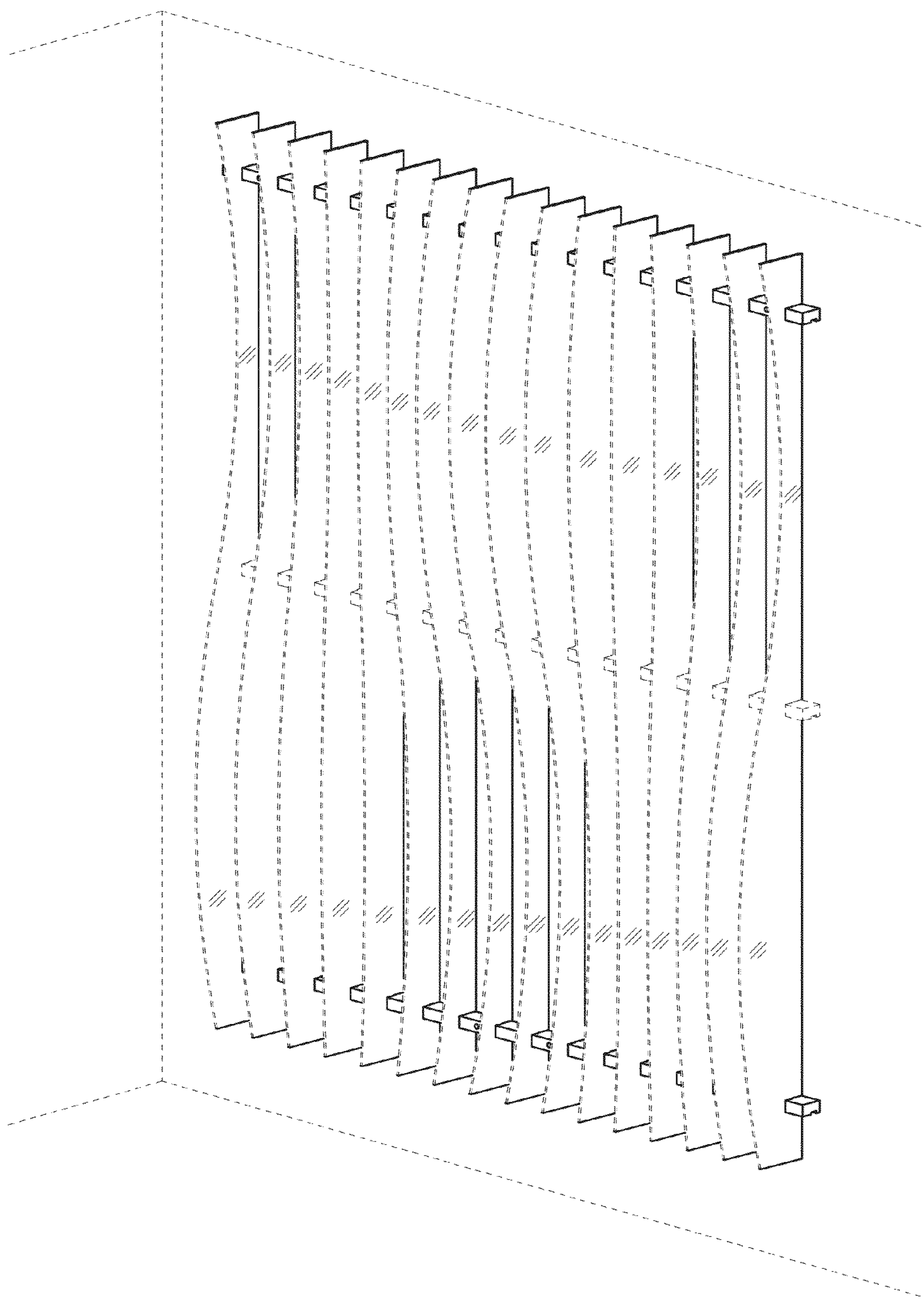
(52) **U.S. Cl.**  
USPC ..... **D25/153**

(58) **Field of Classification Search**  
USPC ..... D25/152, 153; 52/311.1, 311.3, 314,  
52/316, 342, 460, 478, 507, 650.3, 654.1,  
52/656.8, 663, 664

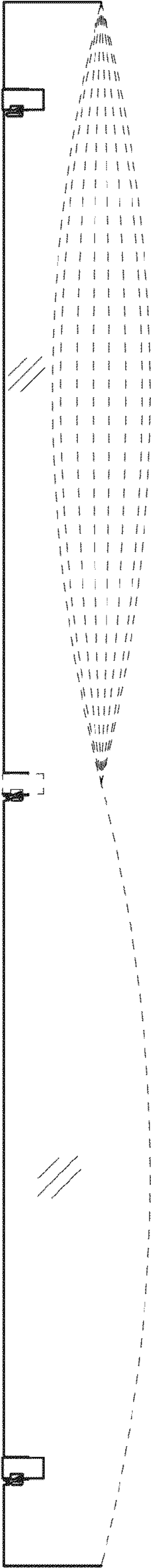
See application file for complete search history.

**1 Claim, 4 Drawing Sheets**

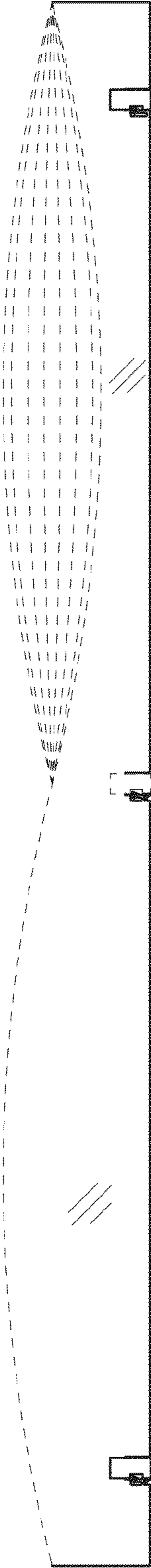




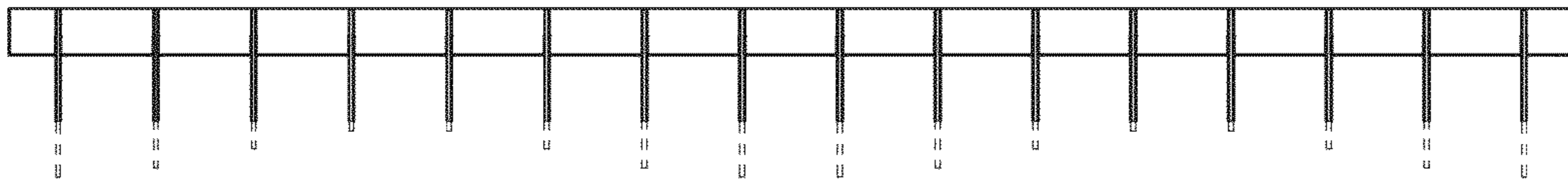
**Fig. 1**



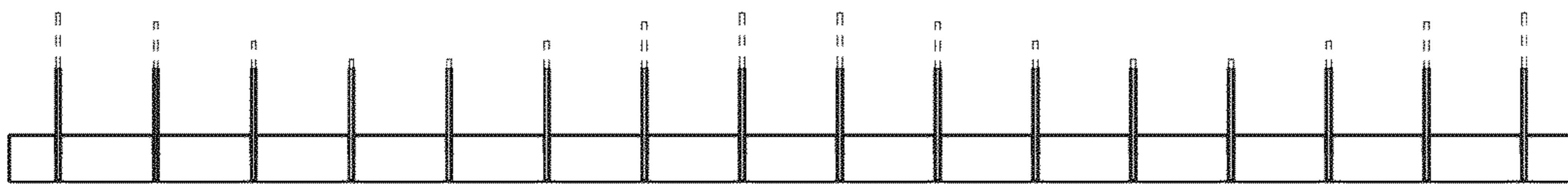
**Fig. 2**



**Fig. 3**



*Fig. 4*



*Fig. 5*

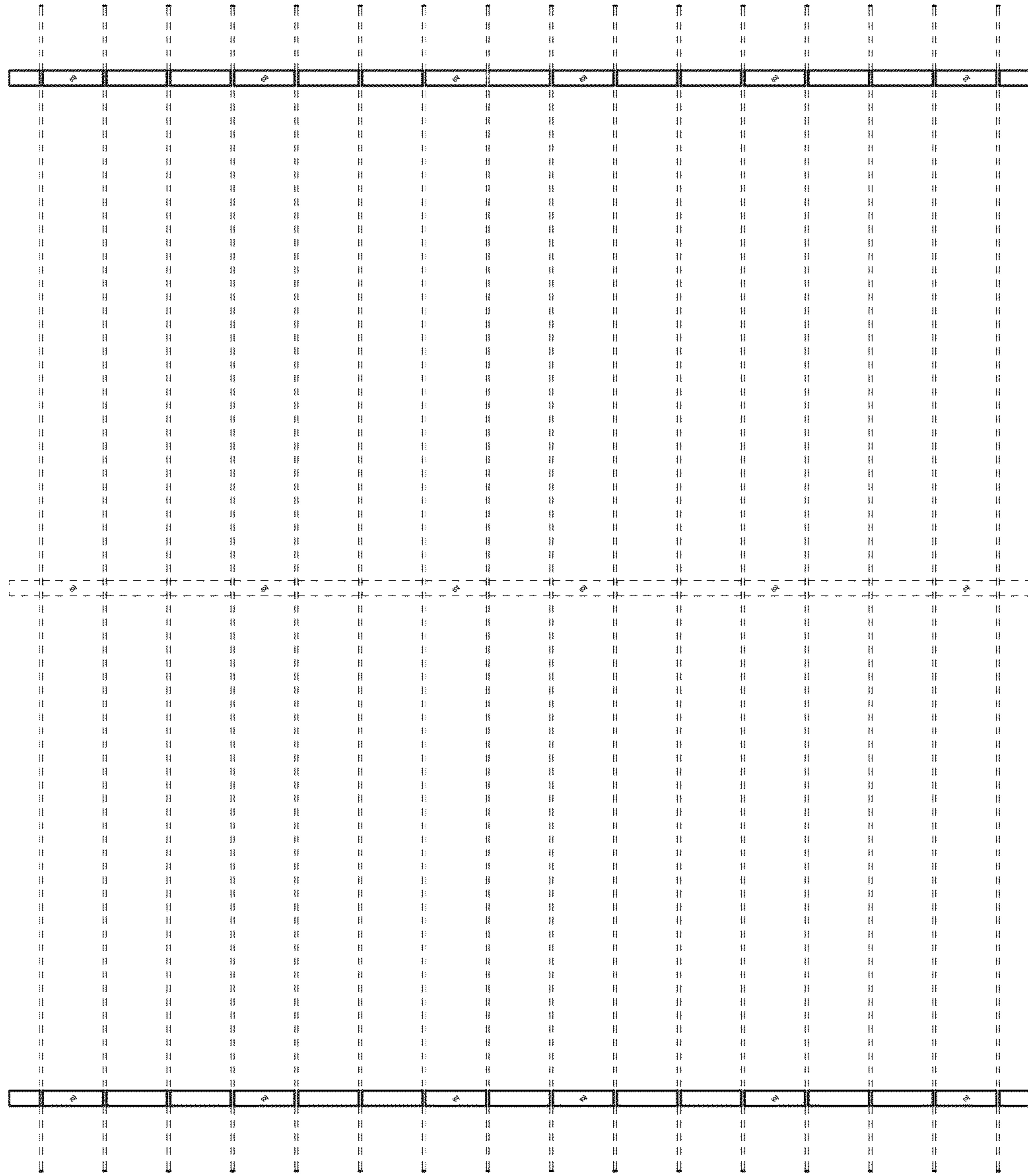


Fig. 6

UNITED STATES PATENT AND TRADEMARK OFFICE  
**CERTIFICATE OF CORRECTION**

PATENT NO. : D691,742 S  
APPLICATION NO. : 29/452948  
DATED : October 15, 2013  
INVENTOR(S) : Damen et al.

Page 1 of 1

It is certified that error appears in the above-identified patent and that said Letters Patent is hereby corrected as shown below:

Title page, Item (54) Title:

**“MULTI-SLAT ARCHITECTURAL PANEL”, Should read --MULTI-SLAT  
ARCHITECTURAL PANEL SYSTEM--.**

Title page, Item (57) Claim:

“architectural panel”, Should read --architectural panel system--.

Signed and Sealed this  
Fourth Day of February, 2014



Michelle K. Lee  
*Deputy Director of the United States Patent and Trademark Office*