



US00D691741S

(12) **United States Design Patent**  
**Kosonen**

(10) **Patent No.:** **US D691,741 S**  
(45) **Date of Patent:** **\*\* Oct. 15, 2013**

(54) **WINDOW COMPONENT EXTRUSION**

(75) Inventor: **Martin Stanley Kosonen**, Seattle, WA  
(US)

(73) Assignee: **Mikron Industries, Inc.**, Kent, WA (US)

(\*\*) Term: **14 Years**

(21) Appl. No.: **29/421,712**

(22) Filed: **Sep. 7, 2012**

(51) **LOC (9) Cl.** ..... **25-01**

(52) **U.S. Cl.**  
USPC ..... **D25/124**

(58) **Field of Classification Search**  
USPC ..... D25/124; 52/204.1, 204.2, 204.5,  
52/204.51, 656.5, 656.6, 213, 215, 208, 206,  
52/212, 717.01, 209, 204.72, 579, 793.1,  
52/794.1, 216, 204.55, 656.2, 656.7; 49/DIG.  
2, 504, 501, 449, 180, 183, 505

See application file for complete search history.

(56) **References Cited**

U.S. PATENT DOCUMENTS

D374,940 S *	10/1996	Hart	.....	D25/124
D402,061 S *	12/1998	Leonelli	.....	D25/124
6,327,826 B1 *	12/2001	Mann	.....	52/204.1
D557,828 S *	12/2007	Willman	.....	D25/124

\* cited by examiner

*Primary Examiner* — Doris Clark

(74) *Attorney, Agent, or Firm* — Zollinger & Burleson Ltd.

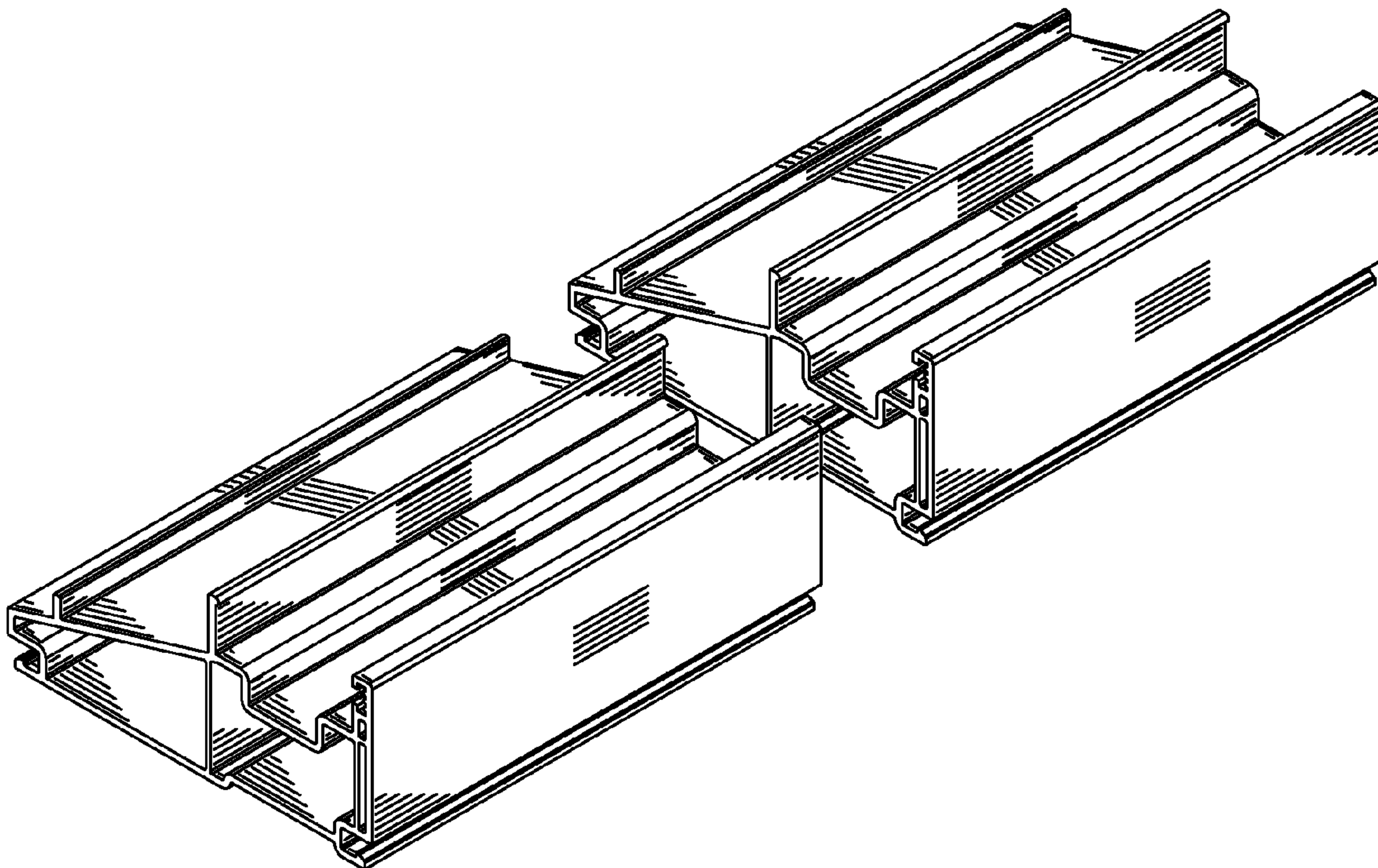
(57) **CLAIM**

The ornamental design for a window component extrusion, as shown and described.

**DESCRIPTION**

FIG. 1 is a top right perspective view of the window component extrusion which is broken in the center indicating indefinite length; and, FIG. 2 is a bottom left perspective view of the window component extrusion shown in FIG. 1.

**1 Claim, 1 Drawing Sheet**



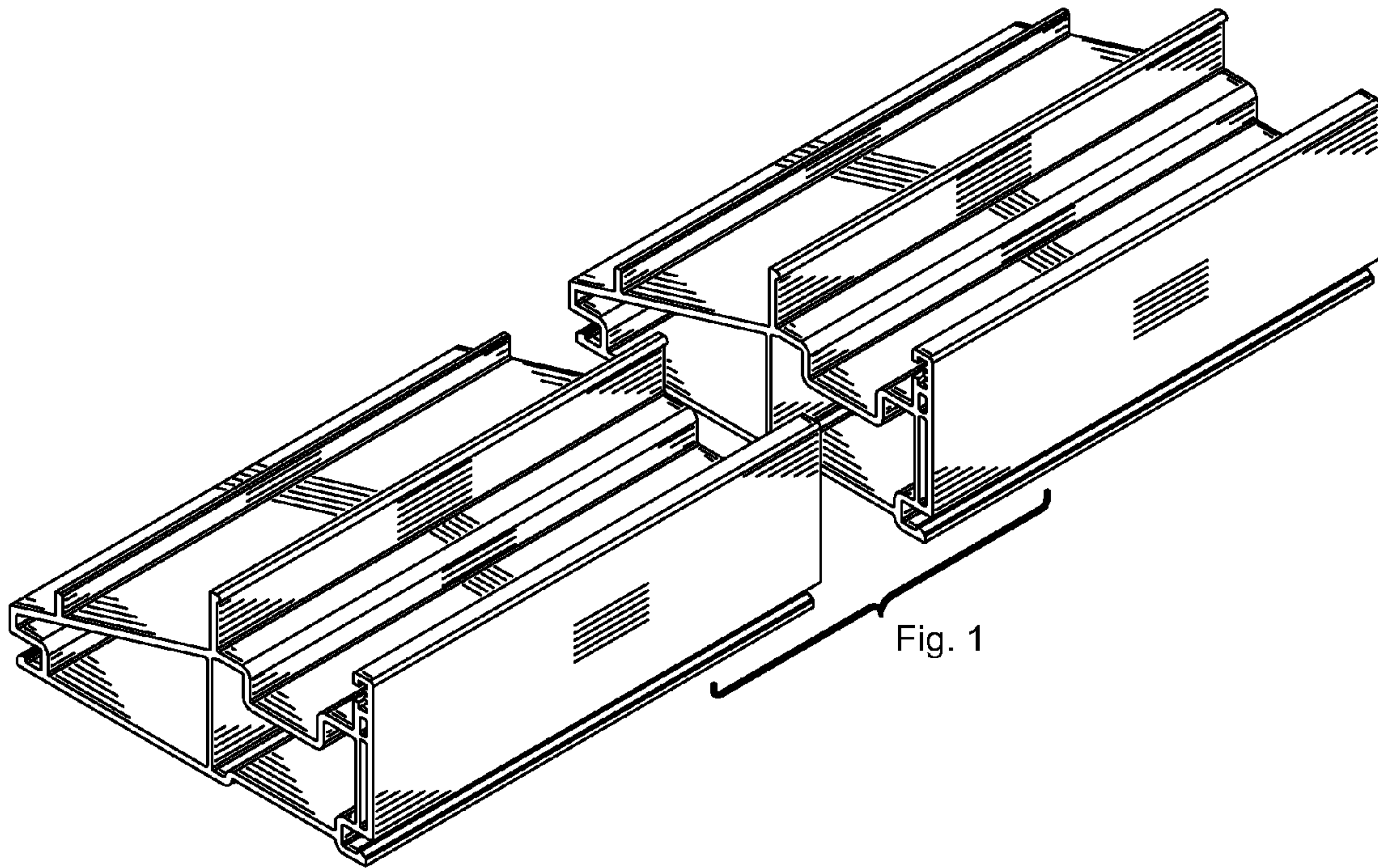


Fig. 1

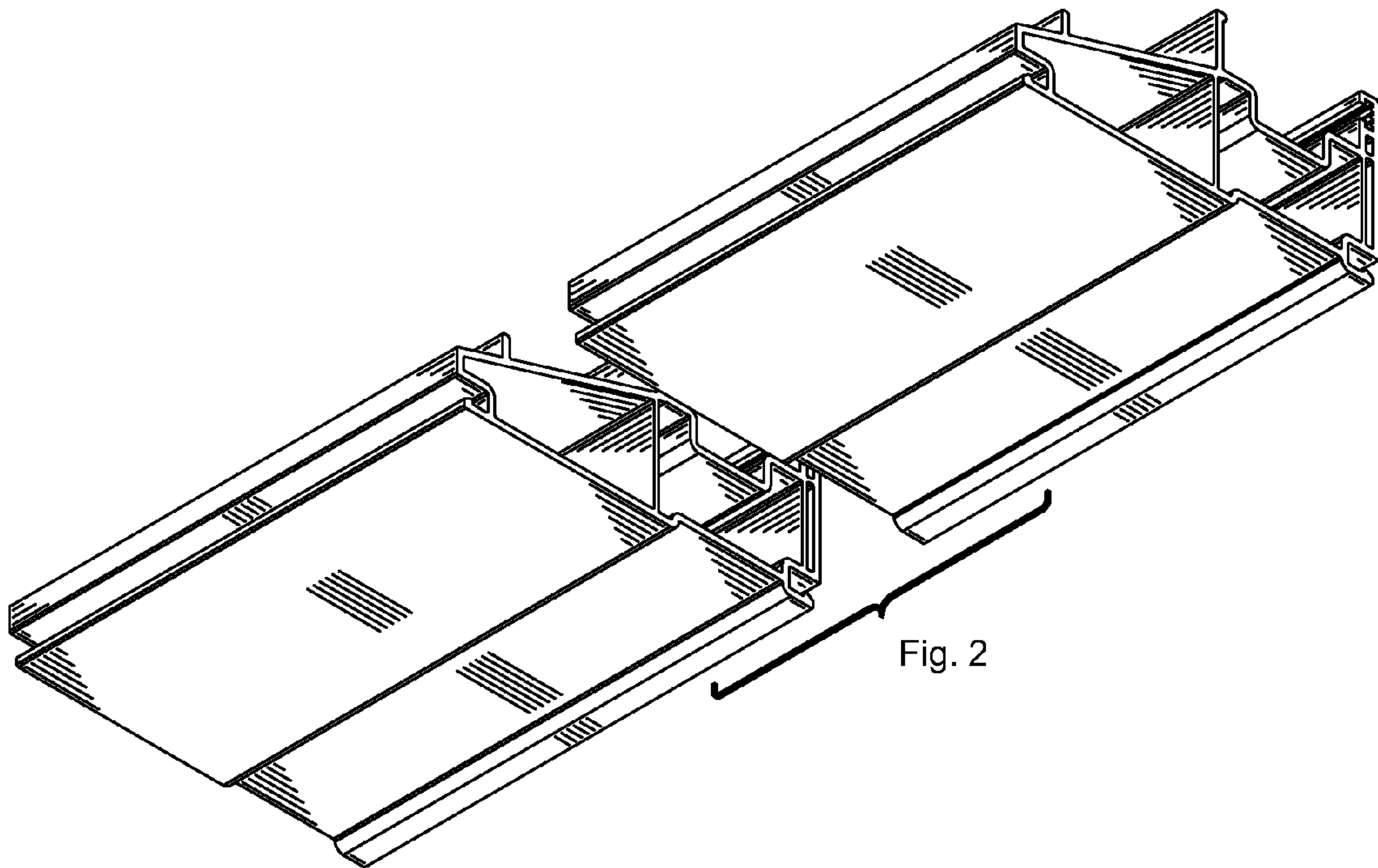


Fig. 2