



US00D691737S

(12) **United States Design Patent**  
**Kokenge**

(10) **Patent No.:** **US D691,737 S**  
(45) **Date of Patent:** **\*\* Oct. 15, 2013**

(54) **MIGRATION BARRIER**

(56) **References Cited**

(75) Inventor: **John Kokenge**, Cincinnati, OH (US)

U.S. PATENT DOCUMENTS

(73) Assignee: **Schulte Corporation**, Cincinnati, OH (US)

1,825,169	A *	9/1931	Wyckoff	210/154
6,935,809	B2 *	8/2005	Svensson	405/107
D585,562	S *	1/2009	Rodenburg	D25/45
D613,877	S *	4/2010	Preston	D25/45
7,708,494	B2 *	5/2010	McLaughlin	405/81

(\*\*) Term: **14 Years**

\* cited by examiner

(21) Appl. No.: **29/417,281**

*Primary Examiner* — Doris Clark

(22) Filed: **Apr. 2, 2012**

(74) *Attorney, Agent, or Firm* — Dinsmore & Shohl LLP

(51) **LOC (9) Cl.** ..... **25-02**

(57) **CLAIM**

The ornamental design for a migration barrier, as shown.

(52) **U.S. Cl.**

**DESCRIPTION**

USPC ..... **D25/45**

FIG. 1 is a perspective view of a migration barrier illustrating my new design;

(58) **Field of Classification Search**

USPC ..... D25/38.1, 45, 48.8; 405/80, 81, 405/87, 112; 256/1, 33

FIG. 2 is a side view of the design of FIG. 1;

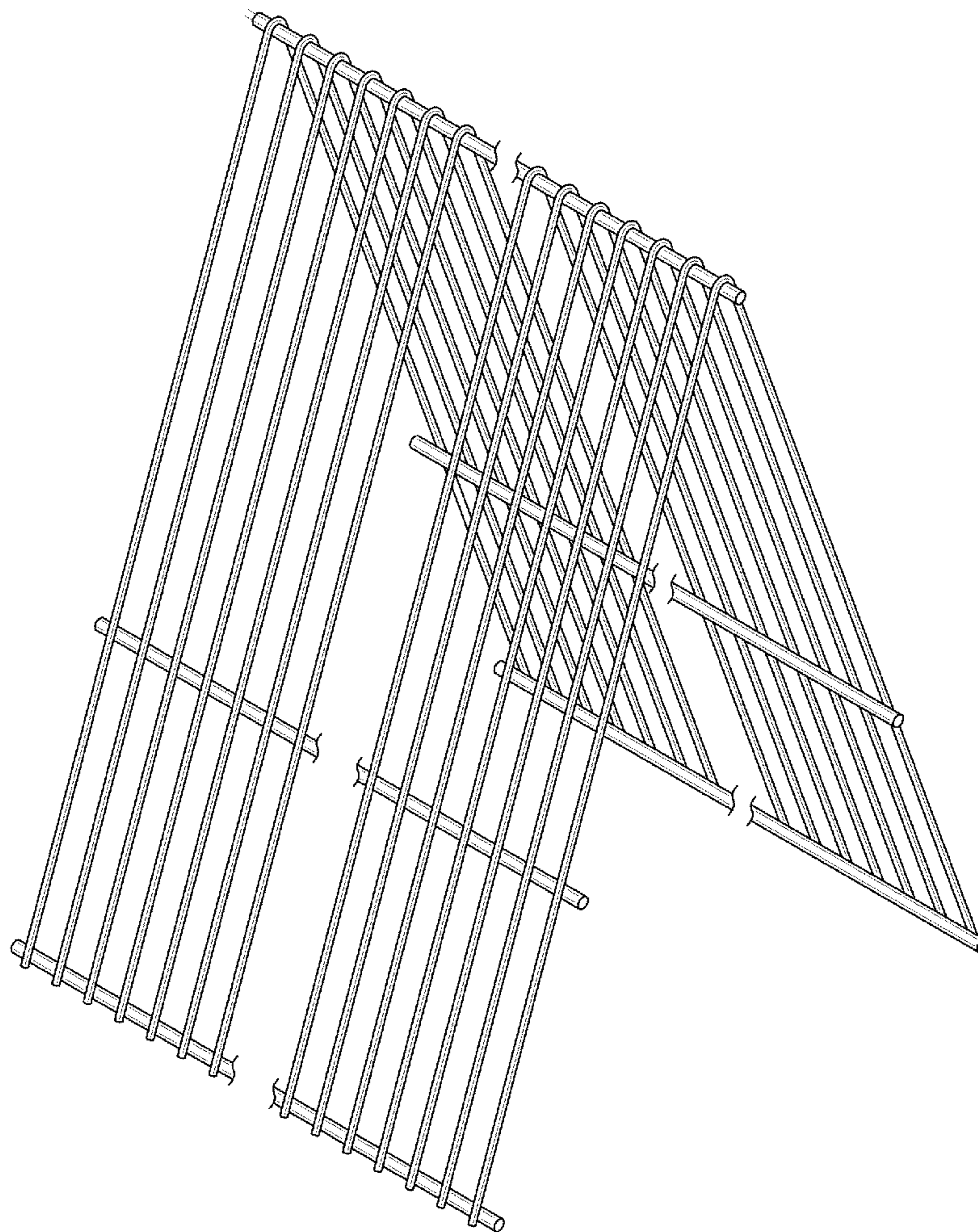
FIG. 3 is a front view of the design of FIG. 1;

FIG. 4 is a top view of the design of FIG. 1; and,

FIG. 5 is a bottom view of the design of FIG. 1.

See application file for complete search history.

**1 Claim, 4 Drawing Sheets**



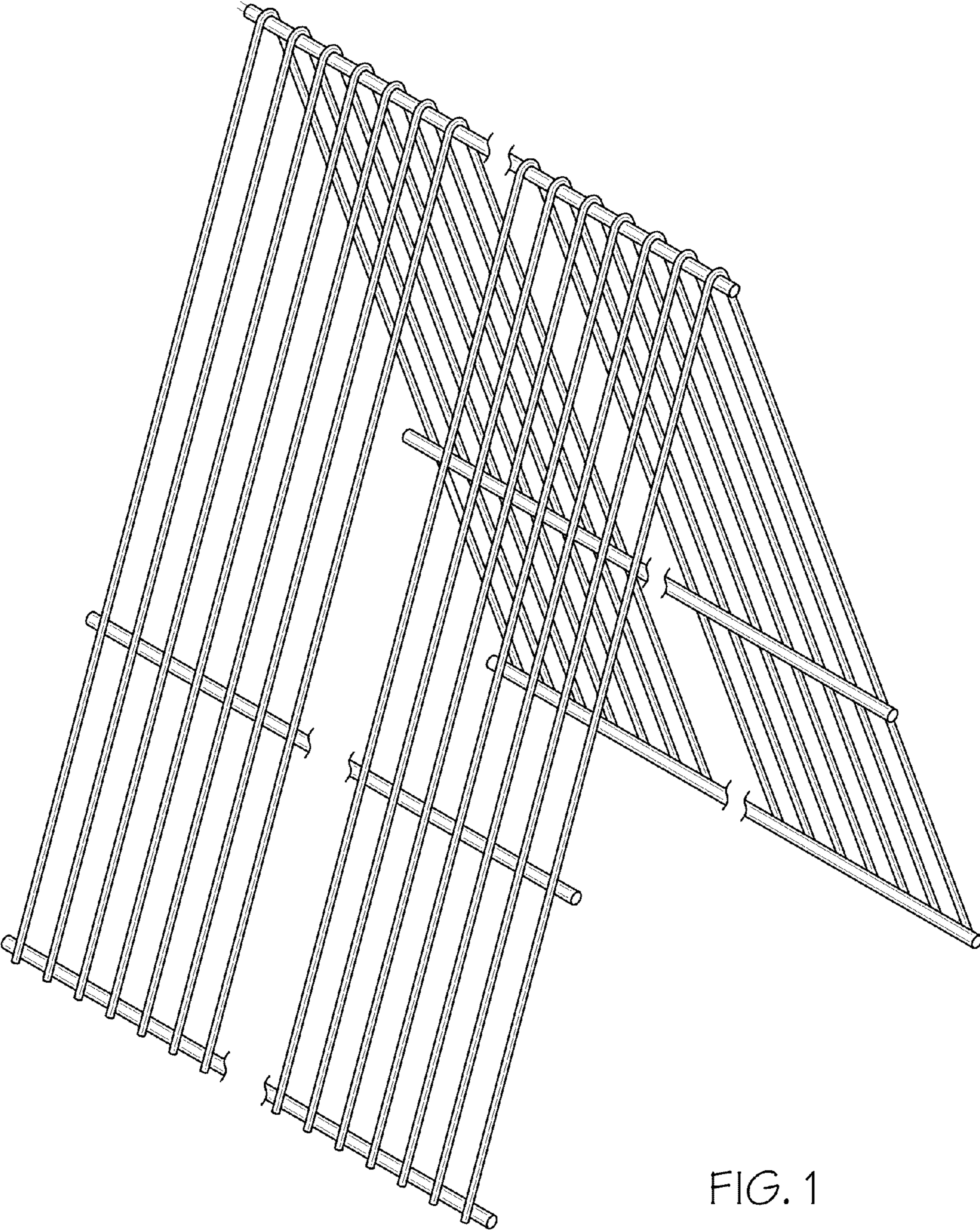


FIG. 1

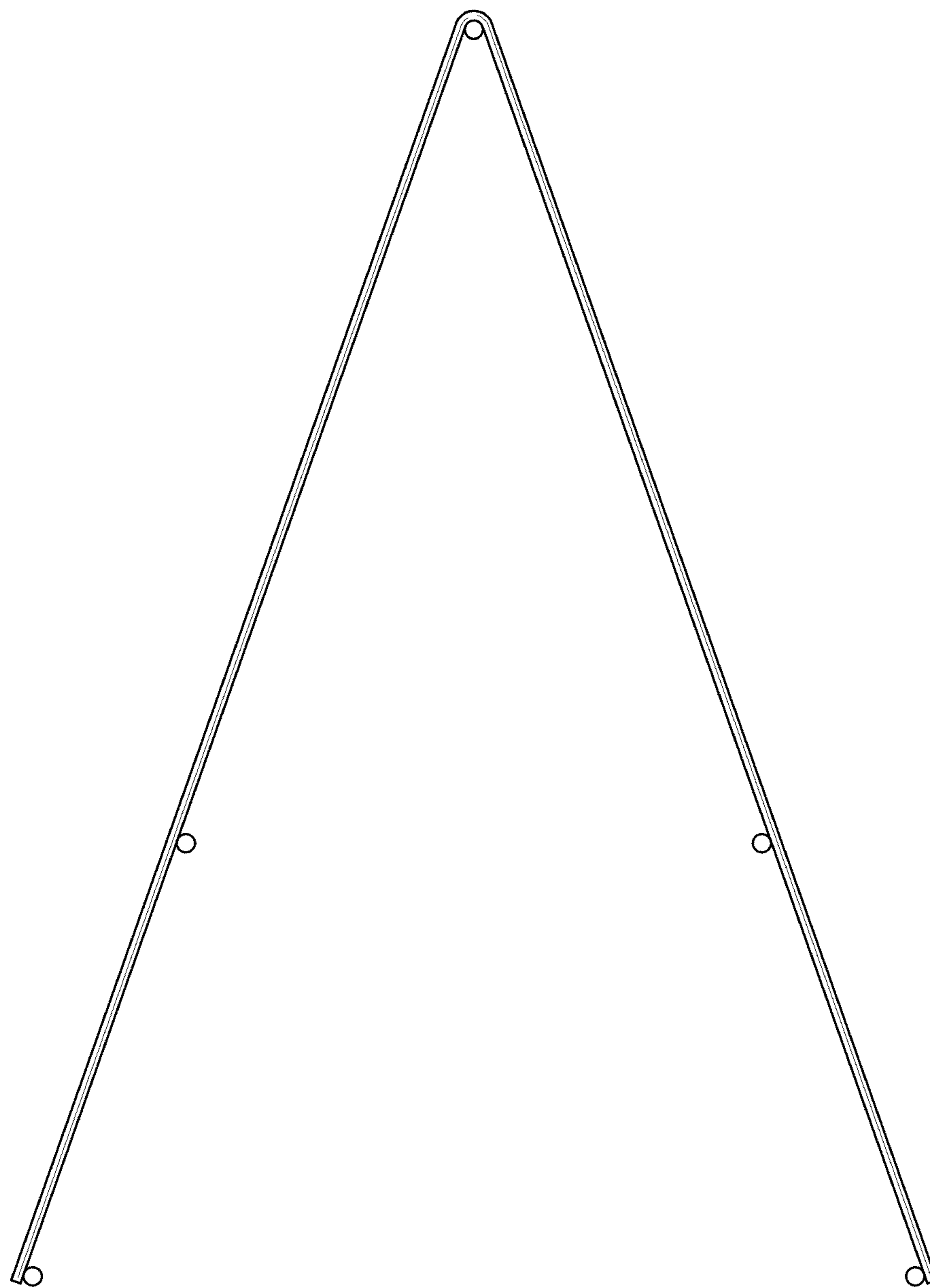


FIG. 2

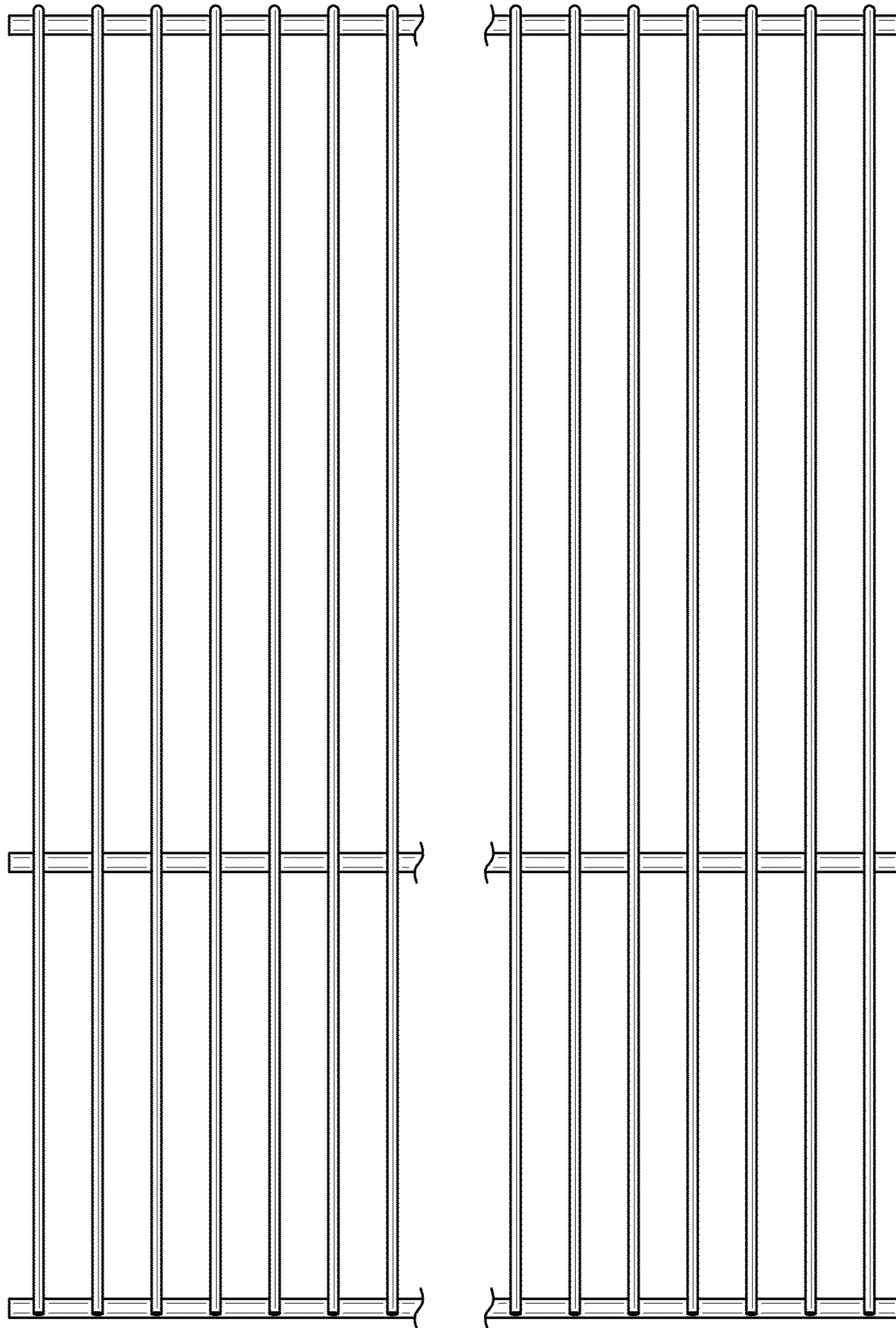


FIG. 3

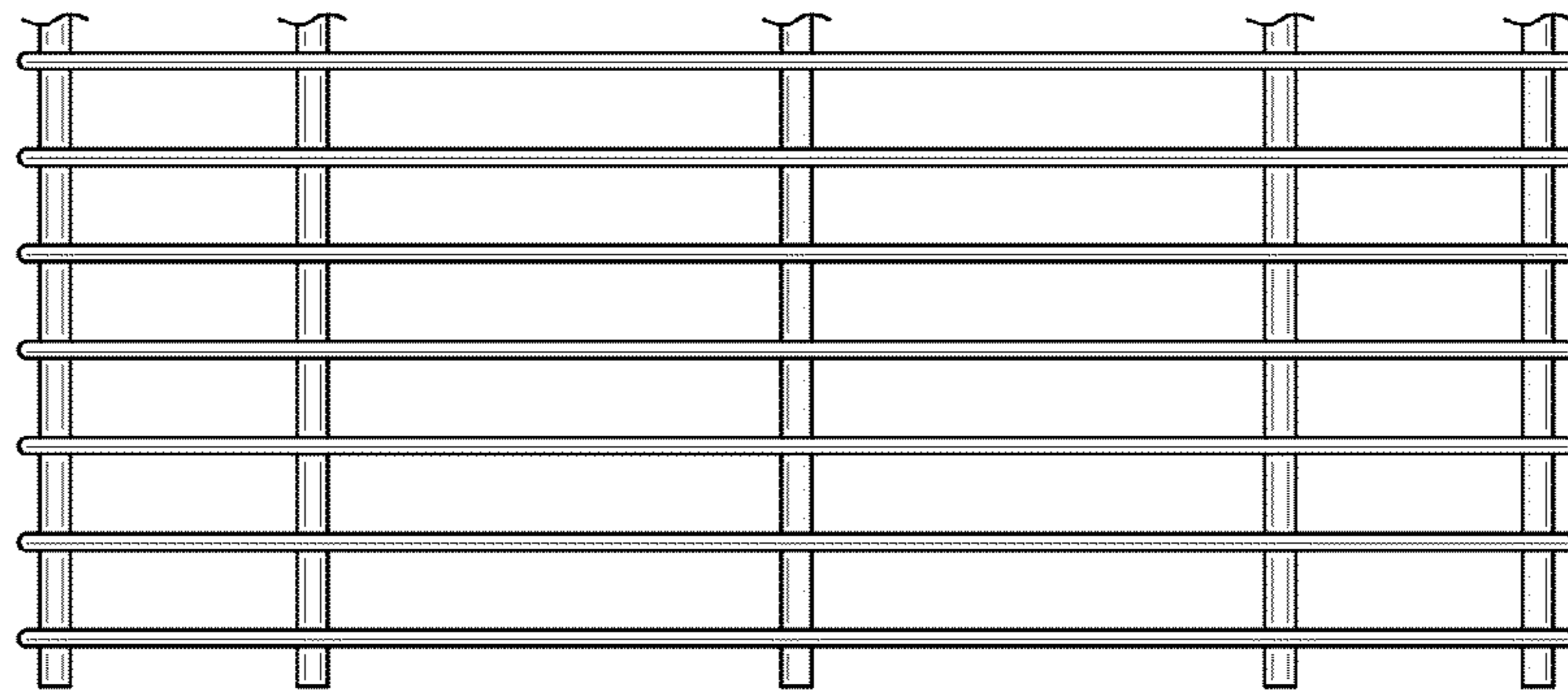
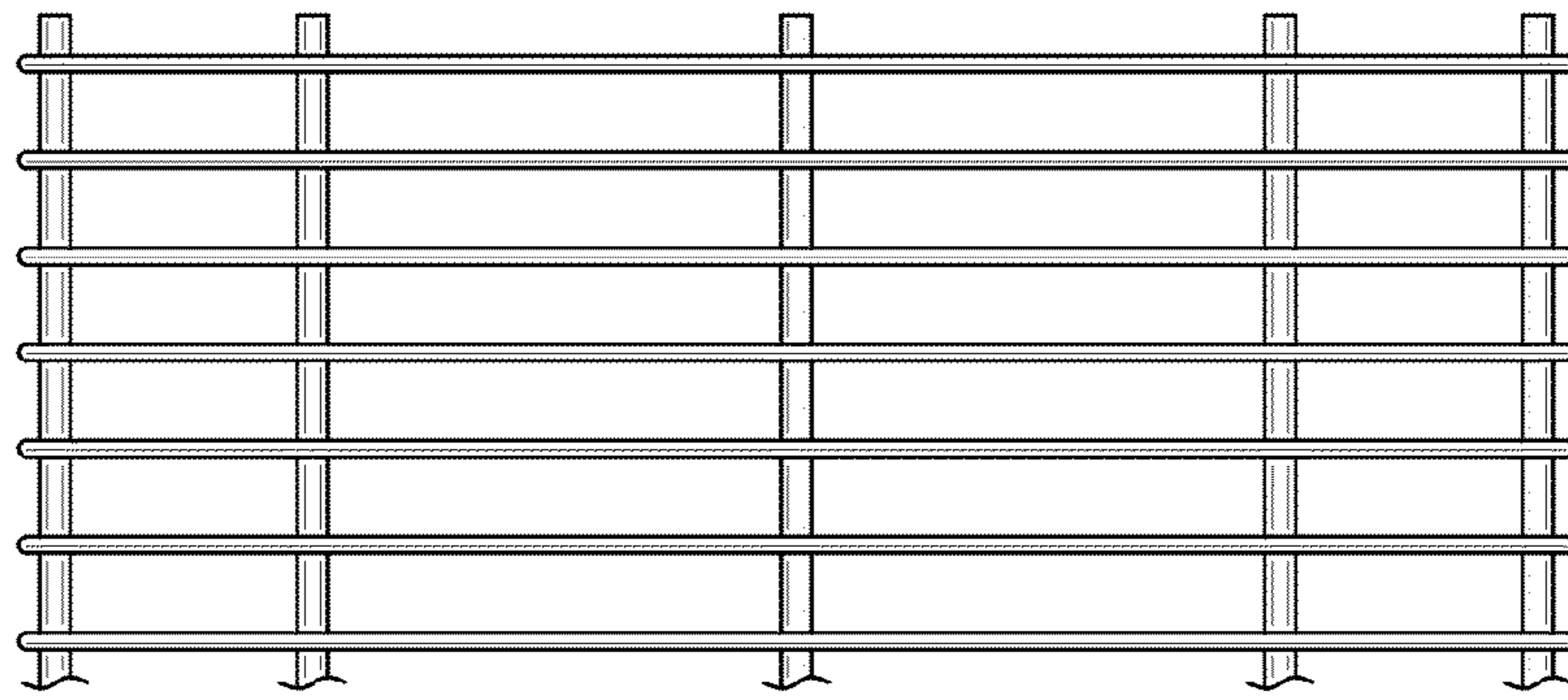


FIG. 4

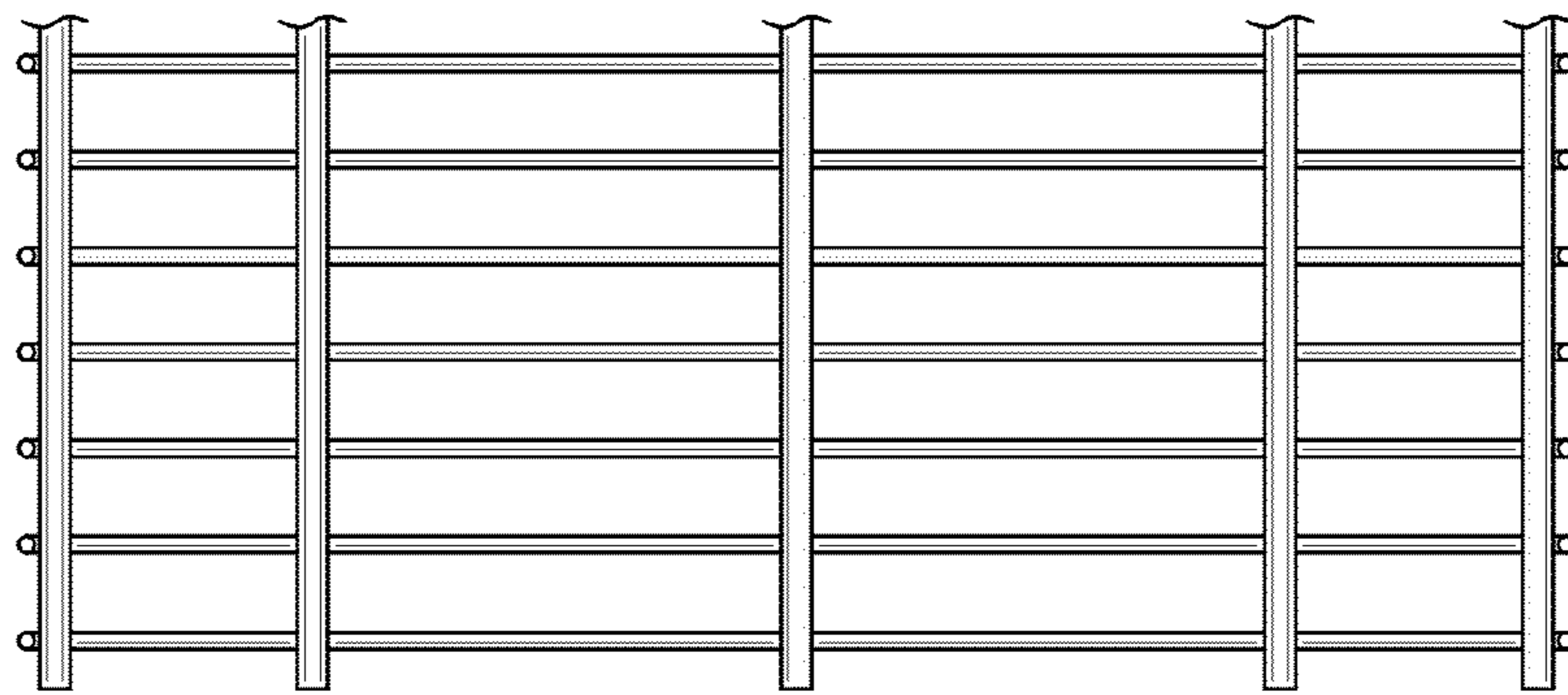
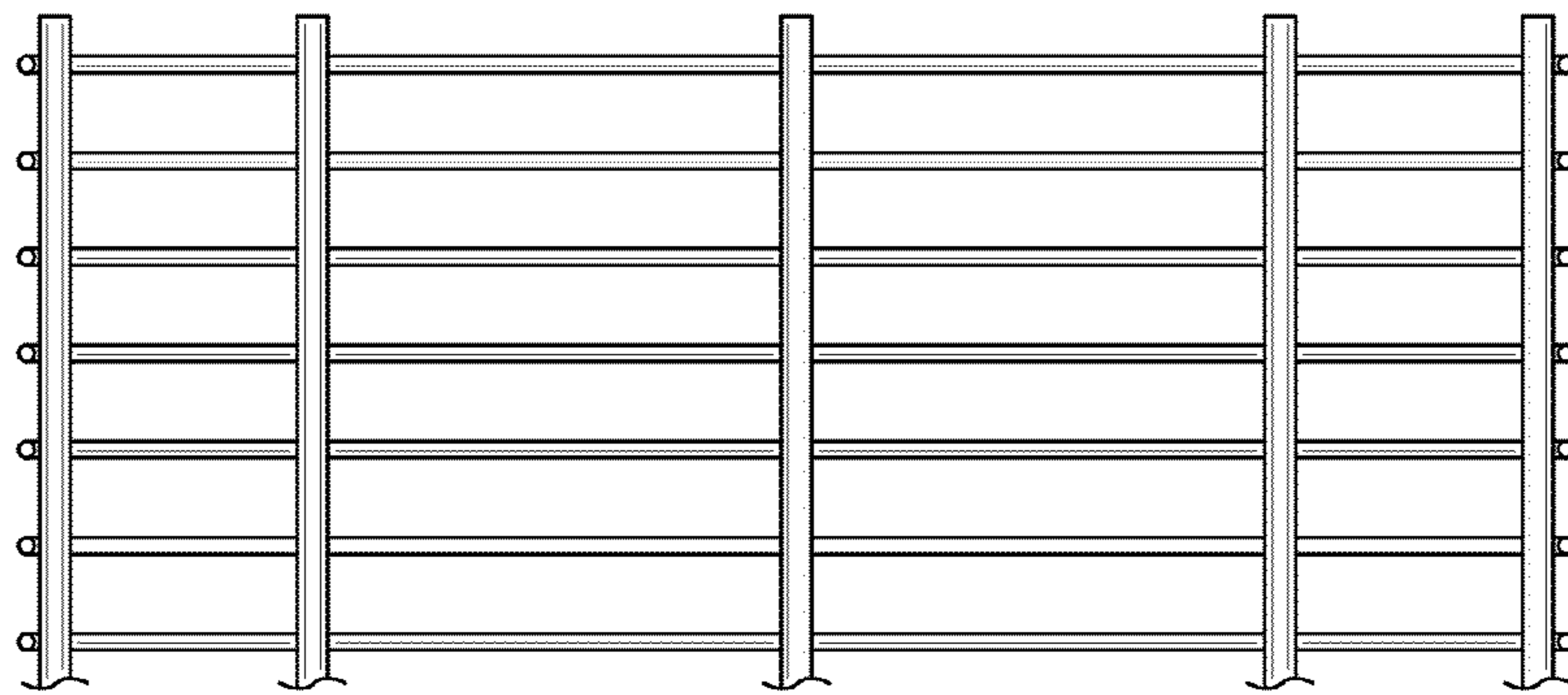


FIG. 5