



US00D691733S

(12) **United States Design Patent**  
**Demas et al.**

(10) **Patent No.:** **US D691,733 S**  
(45) **Date of Patent:** **\*\* Oct. 15, 2013**

(54) **MODULAR CARTRIDGE ASSEMBLY**

(56) **References Cited**

(71) Applicant: **T2 Biosystems, Inc.**, Lexington, MA (US)

U.S. PATENT DOCUMENTS

(72) Inventors: **Vasiliki Demas**, Arlington, MA (US);  
**Trevor Beckett**, Lexington, MA (US);  
**Michael Withers**, Lexington, MA (US);  
**Robin Lee**, Lexington, MA (US); **Parris Wellman**, Reading, MA (US)

4,072,578 A	2/1978	Cady et al.	
D284,214 S *	6/1986	Hatcher et al. ....	D24/226
D285,118 S	8/1986	Huang	
D288,479 S	2/1987	Covell et al.	
D303,711 S	9/1989	DesRosier et al.	
D330,085 S *	10/1992	Crerar et al. ....	D24/216
D345,611 S	3/1994	Long	
D366,529 S	1/1996	Babaoglu et al.	

(73) Assignee: **T2 Biosystems, Inc.**, Lexington, MA (US)

(Continued)

(\*\*) Term: **14 Years**

OTHER PUBLICATIONS

(21) Appl. No.: **29/440,919**

Office Action for U.S. Appl. No. 29/390,300, dated Jun. 27, 2012.

(22) Filed: **Dec. 28, 2012**

(Continued)

*Primary Examiner* — Anhdao Doan

(74) *Attorney, Agent, or Firm* — Clark & Elbing LLP; Karen L. Elbing

**Related U.S. Application Data**

(60) Division of application No. 29/390,300, filed on Apr. 22, 2011, now Pat. No. Des. 674,112, which is a continuation-in-part of application No. 12/910,594, filed on Oct. 22, 2010.

(51) **LOC (9) Cl.** ..... **24-01**

(52) **U.S. Cl.**  
USPC ..... **D24/226**

(58) **Field of Classification Search**

USPC ..... D24/216, 223, 224, 225, 226, 227, 231, D24/232, 233, 107, 169, 186; D10/81; 422/62-65, 67, 500, 547, 551, 552, 422/554; 436/43, 45, 47; 435/287.1, 287.3, 435/288.2, 288.4, 288.5, 305.1, 305.2; 73/64.56, 864.91, 865.9

See application file for complete search history.

**CLAIM**

(57) The ornamental design for a modular cartridge assembly, substantially as shown and described.

**DESCRIPTION**

FIG. 1 is a perspective view of a modular cartridge assembly embodying the claimed design.

FIG. 2 is a front view of the modular cartridge assembly.

FIG. 3 is a rear view of the modular cartridge assembly.

FIG. 4 is a left side view of the modular cartridge assembly.

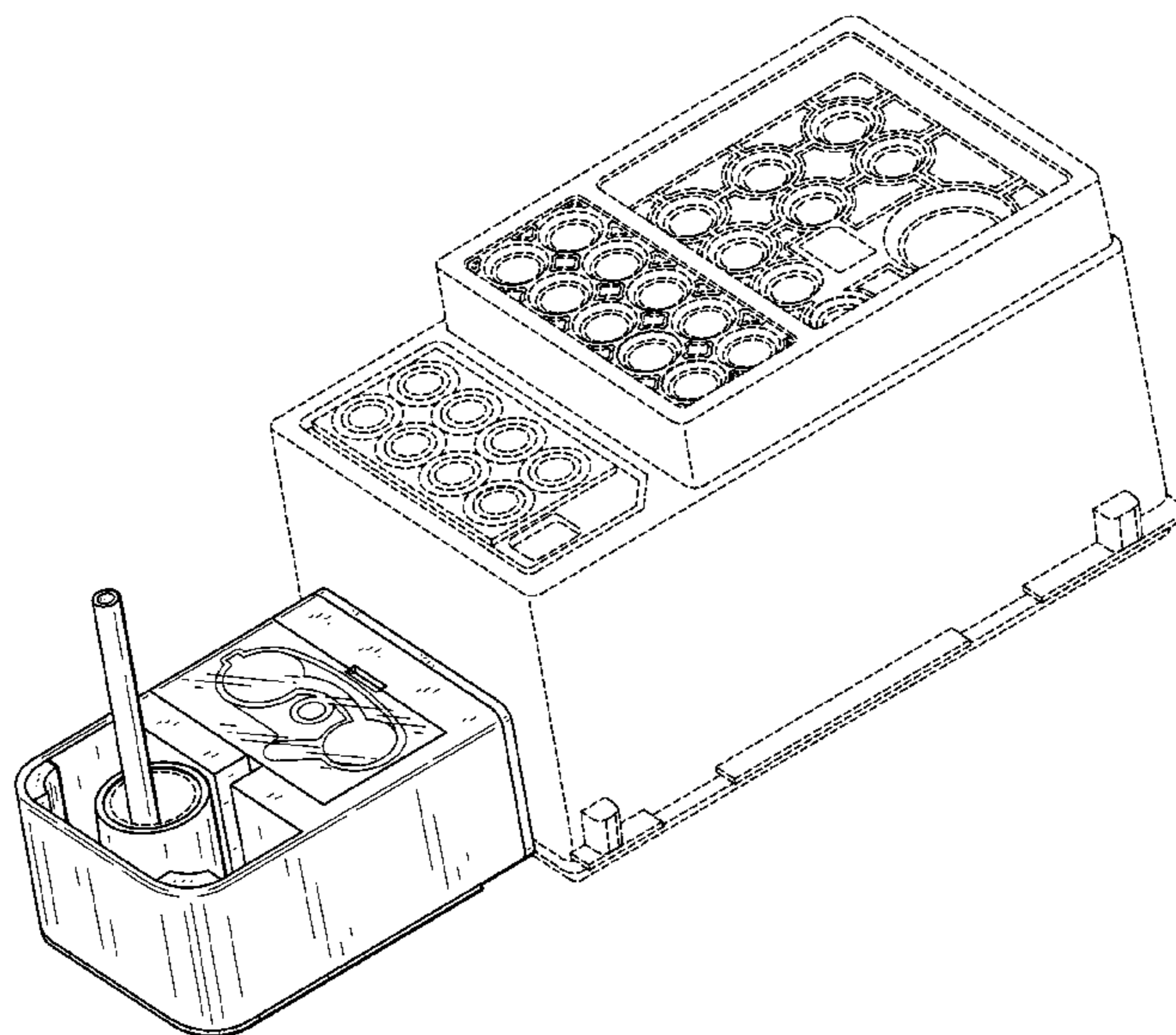
FIG. 5 is a right side view of the modular cartridge assembly.

FIG. 6 is a top view of the modular cartridge assembly; and,

FIG. 7 is a bottom view of the modular cartridge assembly.

The portions of the modular cartridge assembly shown in broken lines form no part of the claimed design.

**1 Claim, 6 Drawing Sheets**



(56)

**References Cited**

U.S. PATENT DOCUMENTS

D414,561 S 9/1999 Escoffier  
D416,330 S 11/1999 Brown  
D438,632 S 3/2001 Miller  
D516,732 S 3/2006 Sakurai et al.  
7,036,667 B2 5/2006 Greenstein et al.  
7,704,735 B2 4/2010 Facer et al.  
7,867,776 B2 1/2011 Kennedy  
D632,803 S 2/2011 Motadel et al.  
D674,112 S 1/2013 Demas et al.

2004/0141887 A1 7/2004 Mainquist et al.  
2008/0056948 A1 3/2008 Dale et al.  
2009/0239308 A1\* 9/2009 Dube et al. .... 435/288.7  
2009/0298129 A1 12/2009 Spence et al.  
2010/0124766 A1 5/2010 Ng et al.

OTHER PUBLICATIONS

Office Action for Canadian Patent Application No. 142812, dated  
Aug. 27, 2012.

\* cited by examiner

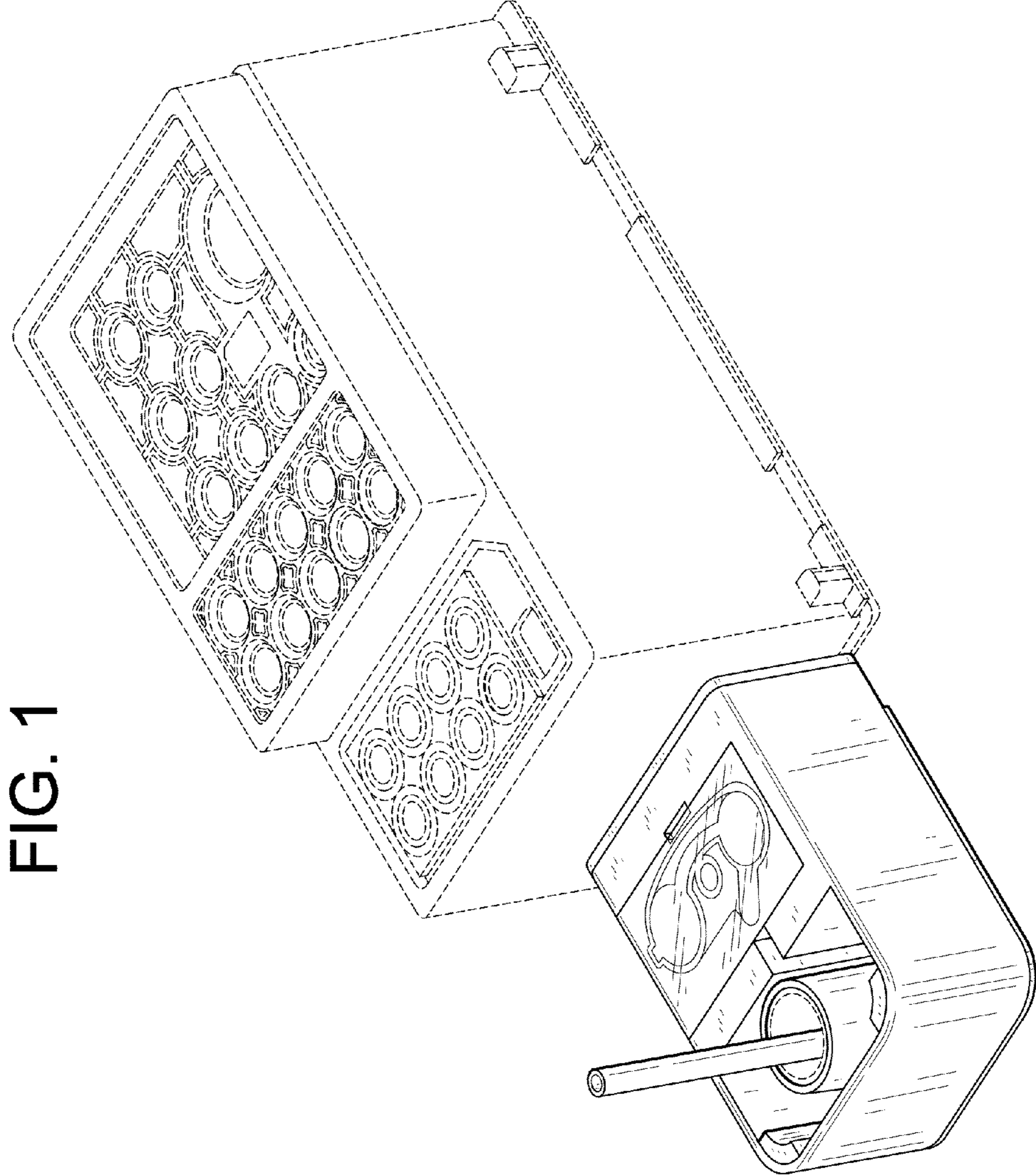


FIG. 1

FIG. 3

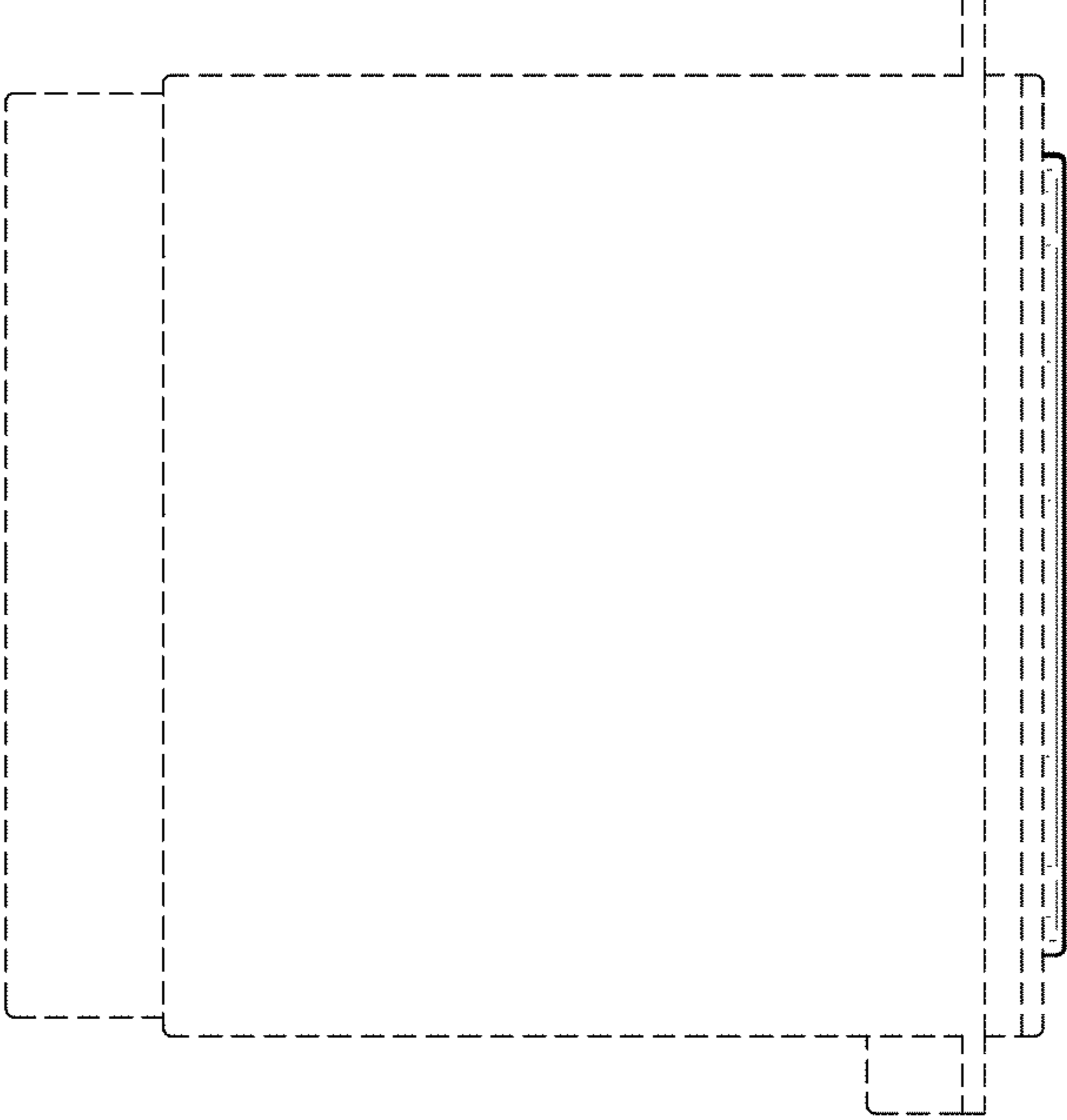


FIG. 2

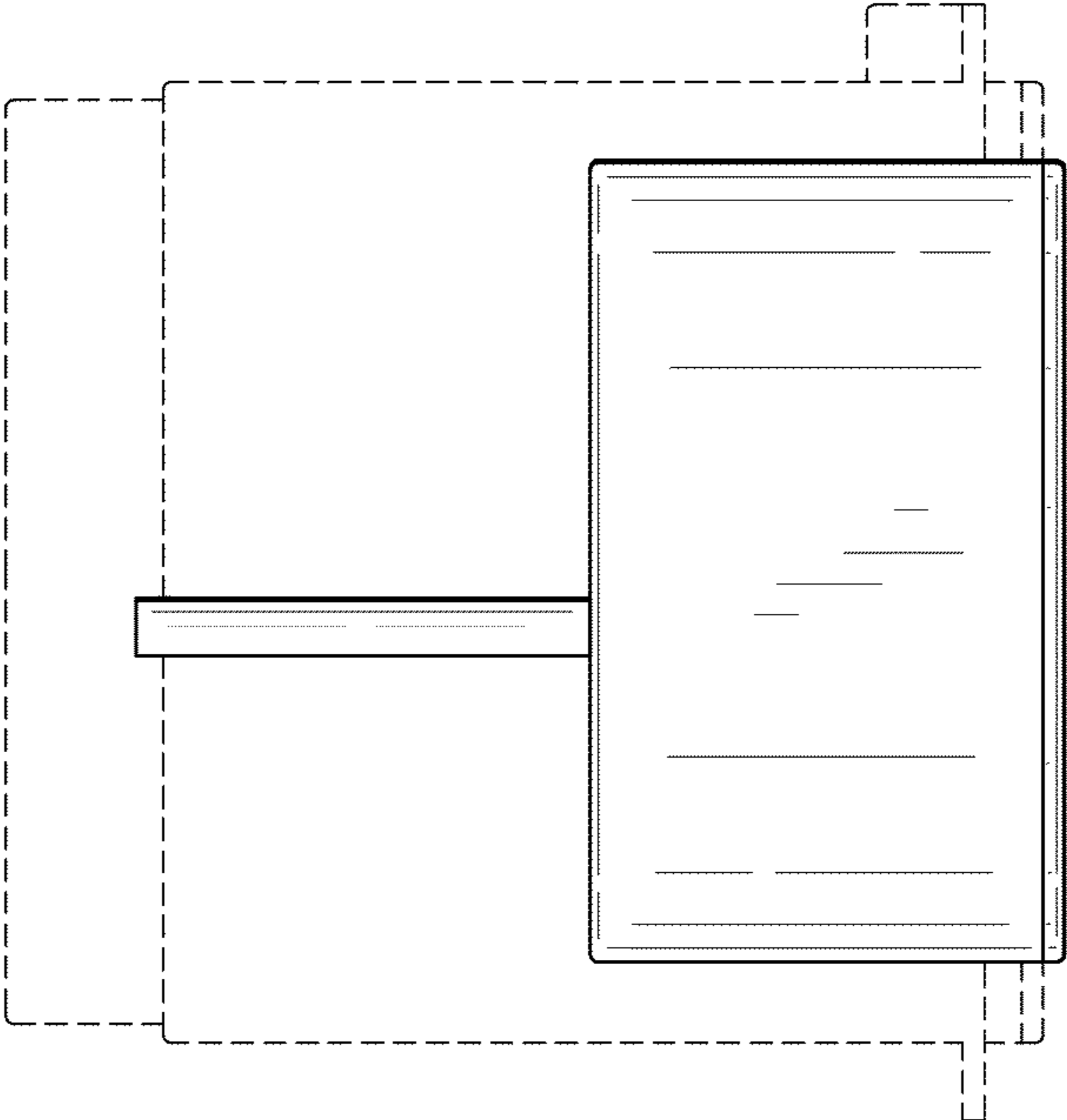


FIG. 4

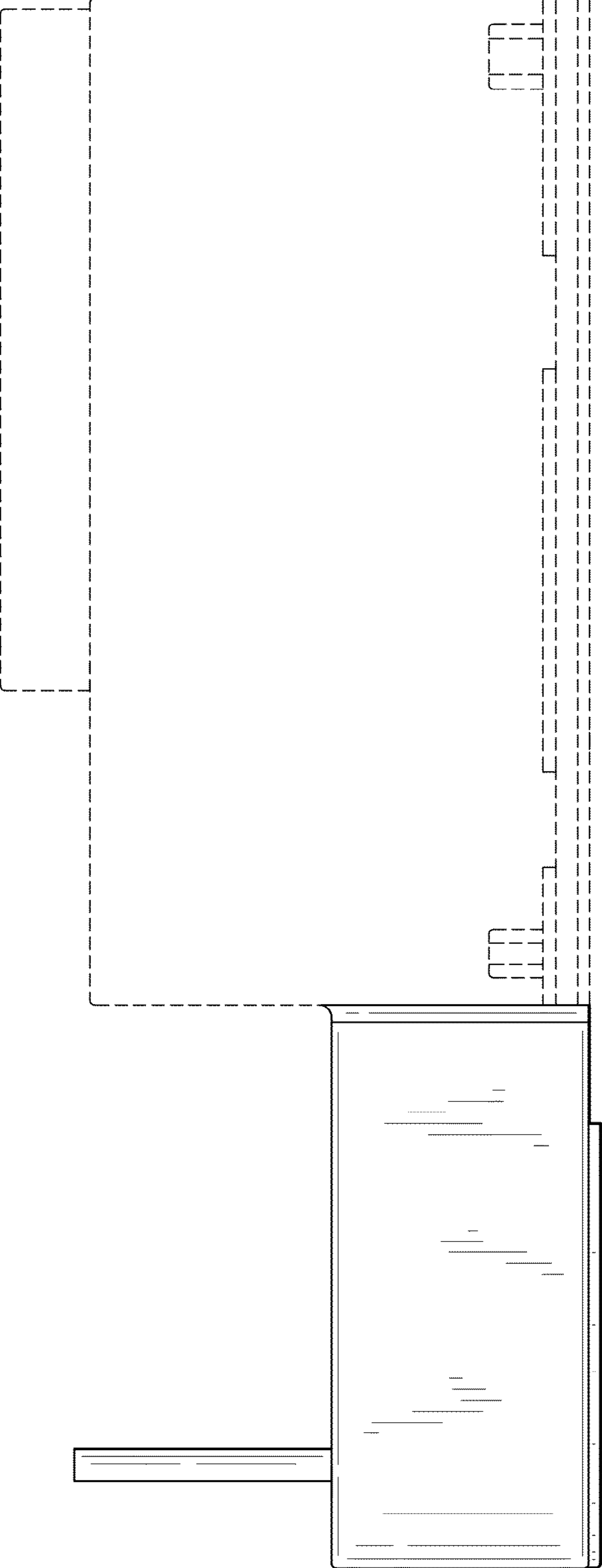


FIG. 5

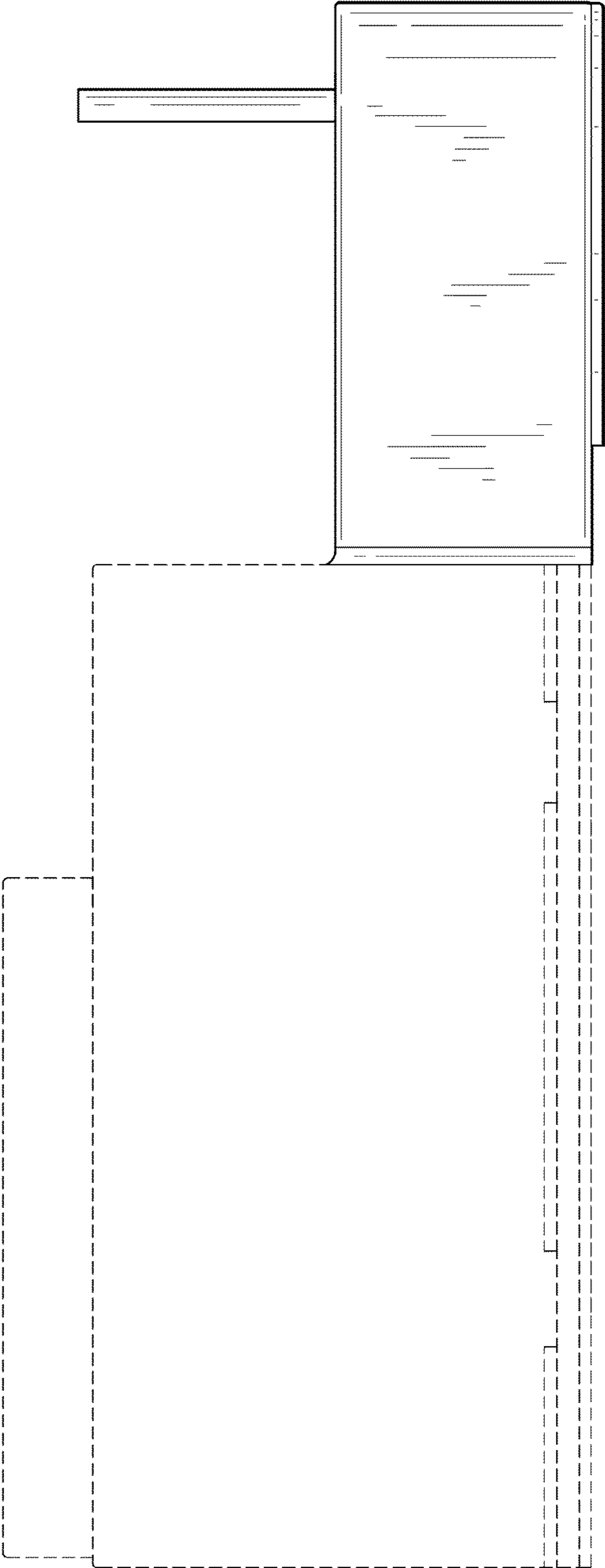


FIG. 6

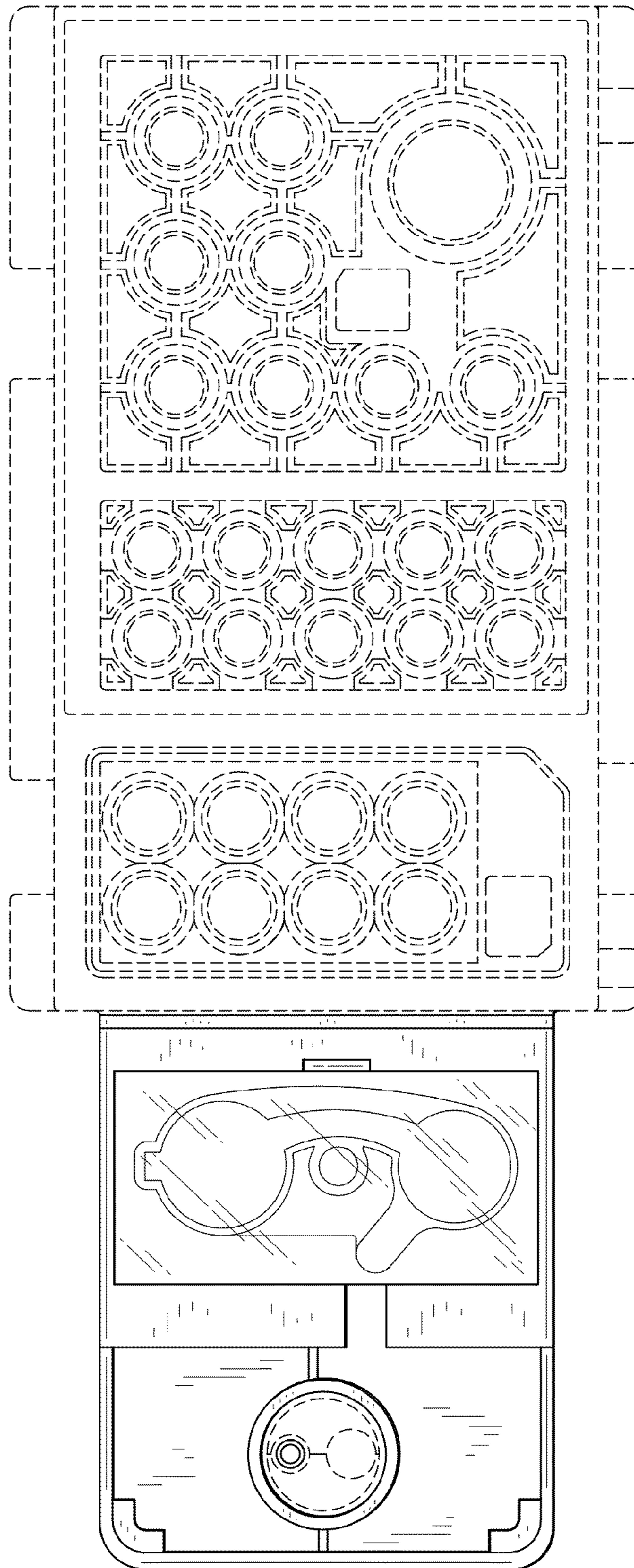
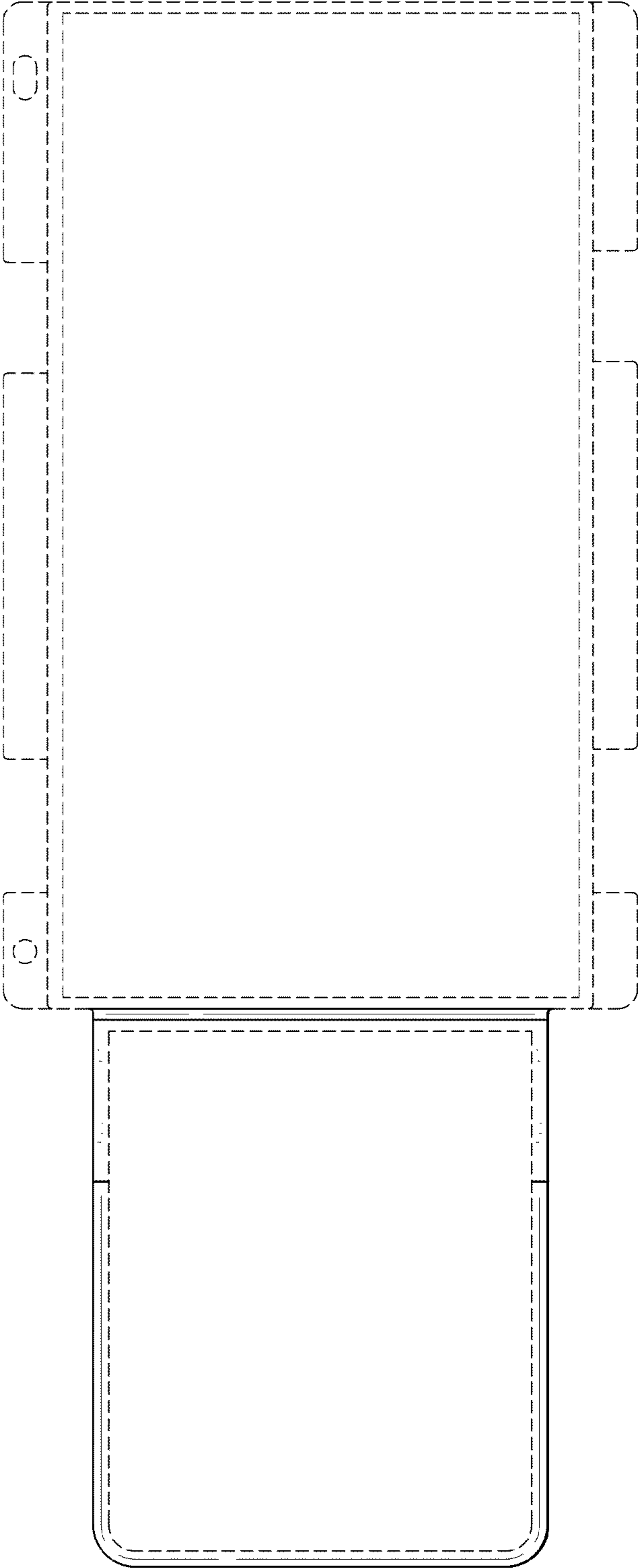


FIG. 7





UNITED STATES PATENT AND TRADEMARK OFFICE  
**CERTIFICATE OF CORRECTION**

PATENT NO. : D691,733 S  
APPLICATION NO. : 29/440919  
DATED : October 15, 2013  
INVENTOR(S) : Vasiliki Demas et al.

Page 1 of 1

It is certified that error appears in the above-identified patent and that said Letters Patent is hereby corrected as shown below:

Title Page, item (60), under Related U.S. Application Data, replace "Division of application"  
with --Continuation of application--.

Signed and Sealed this  
Twenty-fifth Day of February, 2014



Michelle K. Lee  
*Deputy Director of the United States Patent and Trademark Office*