



US00D691729S

(12) **United States Design Patent**
Shahidi Bonjar

(10) **Patent No.:** **US D691,729 S**

(45) **Date of Patent:** **** Oct. 15, 2013**

(54) **ANTI PLASTER EXPANSION DENTAL ARTICULATOR MOUNTING PLATE**

(75) Inventor: **Amir Hashem Shahidi Bonjar**, Tehran (IR)

(73) Assignees: **Amir Hashem Shahidi Bonjar**, Tehran (IR); **Shahid Beheshti University of Medical Sciences**, Tehran (IR)

(**) Term: **14 Years**

(21) Appl. No.: **29/431,941**

(22) Filed: **Sep. 12, 2012**

(51) **LOC (9) Cl.** **24-01**

(52) **U.S. Cl.**
USPC **D24/182; D24/127**

(58) **Field of Classification Search**
USPC D24/176-182, 127; 433/54, 60, 57-58, 433/61, 65

See application file for complete search history.

(56) **References Cited**

U.S. PATENT DOCUMENTS

3,159,915	A *	12/1964	Beu et al.	433/57
3,844,040	A *	10/1974	Willis	433/60
4,600,385	A *	7/1986	Lee	433/60
5,026,282	A *	6/1991	Koike	433/58
5,057,014	A *	10/1991	Zeiser	433/57
5,334,017	A *	8/1994	Lang et al.	433/57
5,749,725	A *	5/1998	Chinlund	433/60
D492,415	S *	6/2004	Tucker et al.	D24/181
7,273,372	B2 *	9/2007	Suwa	433/54
7,837,470	B2 *	11/2010	Ragade	433/57

* cited by examiner

Primary Examiner — Wan Laymon

(74) *Attorney, Agent, or Firm* — Barry Choobin; Patent360 LLC

(57) **CLAIM**

The ornamental design for an anti plaster expansion dental articulator mounting plate, substantially as shown and described.

DESCRIPTION

FIG. 1 is a top, left-side perspective view of the complete anti plaster expansion dental articulator mounting plate assembled on an articulator.

FIG. 2 is a top, right-side perspective view of the anti plaster expansion dental articulator mounting plate.

FIG. 3 is a front-side view of the anti plaster expansion dental articulator mounting plate.

FIG. 4 is a rear-side view of the anti plaster expansion dental articulator mounting plate.

FIG. 5 is a right-side view of the anti plaster expansion dental articulator mounting plate.

FIG. 6 is a left-side view of the anti plaster expansion dental articulator mounting plate.

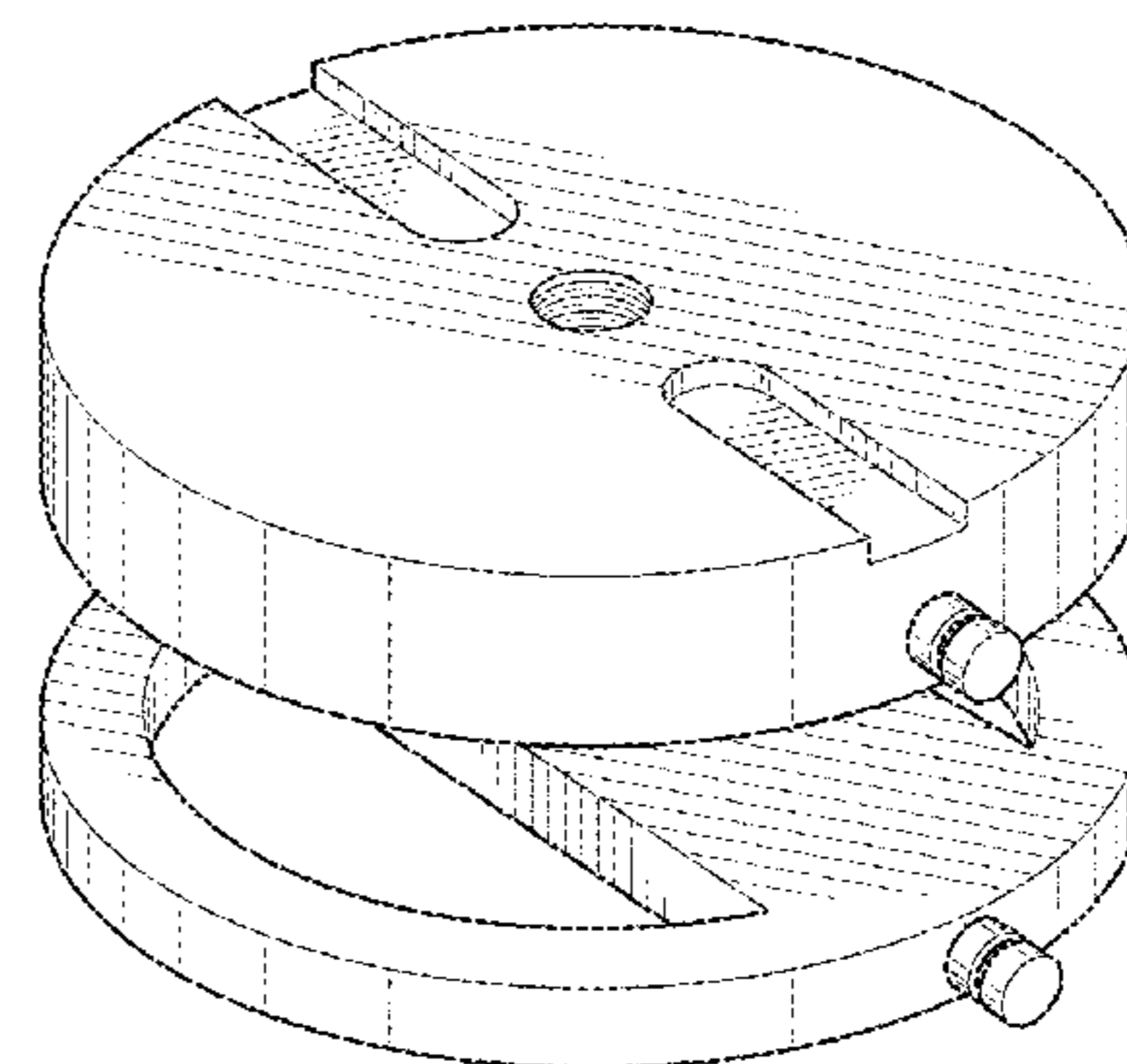
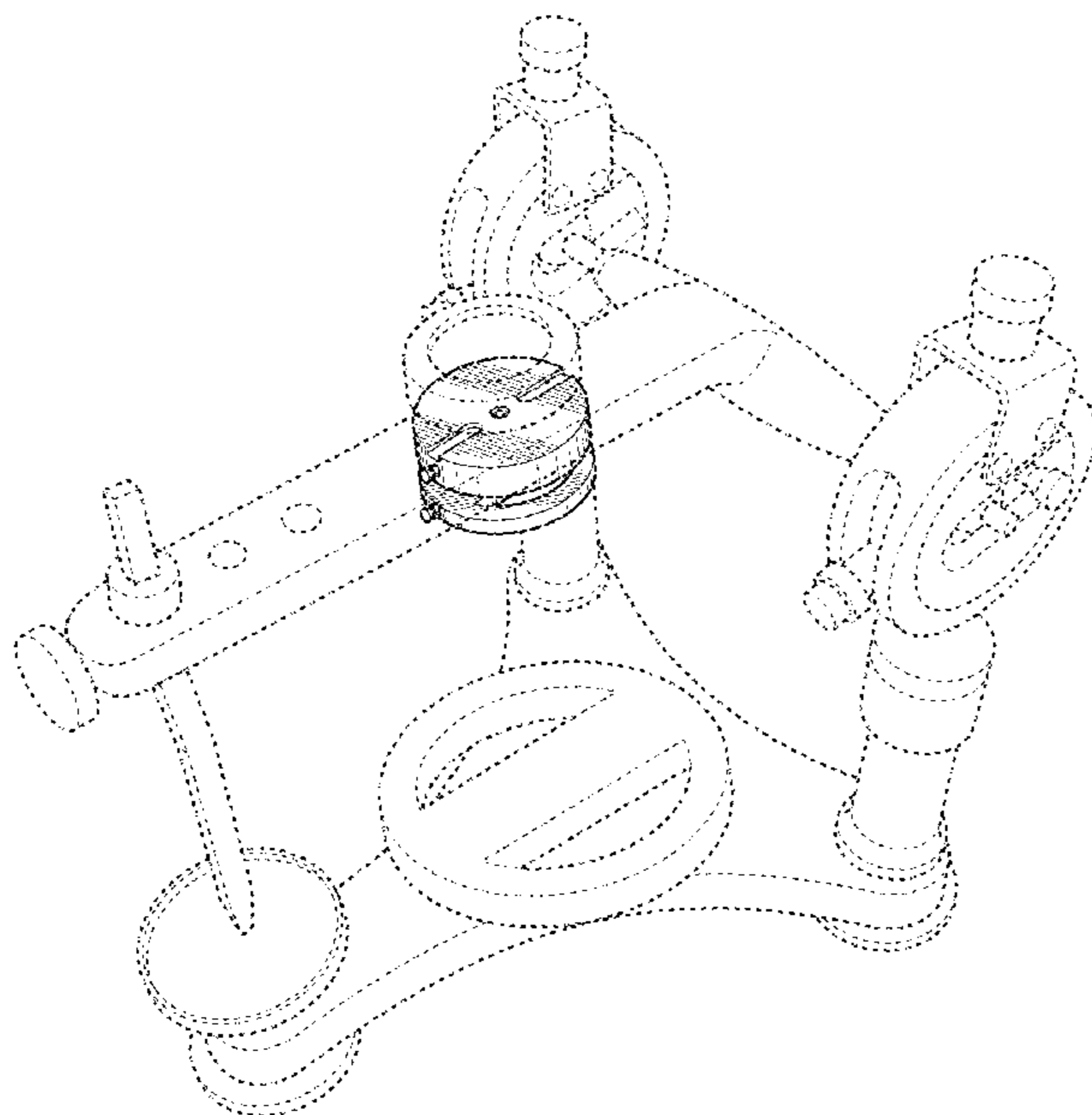
FIG. 7 is a top-side view of the anti plaster expansion dental articulator mounting plate.

FIG. 8 is a bottom-side view of the anti plaster expansion dental articulator mounting plate; and,

FIG. 9 is an enlarged cross-section of the anti plaster expansion dental articulator mounting plate taken along the lines 9-9 of FIG. 3.

The broken lines shown in FIG. 1 represent portions of the anti plaster expansion dental articulator mounting plate that form no part of the claimed design.

1 Claim, 4 Drawing Sheets



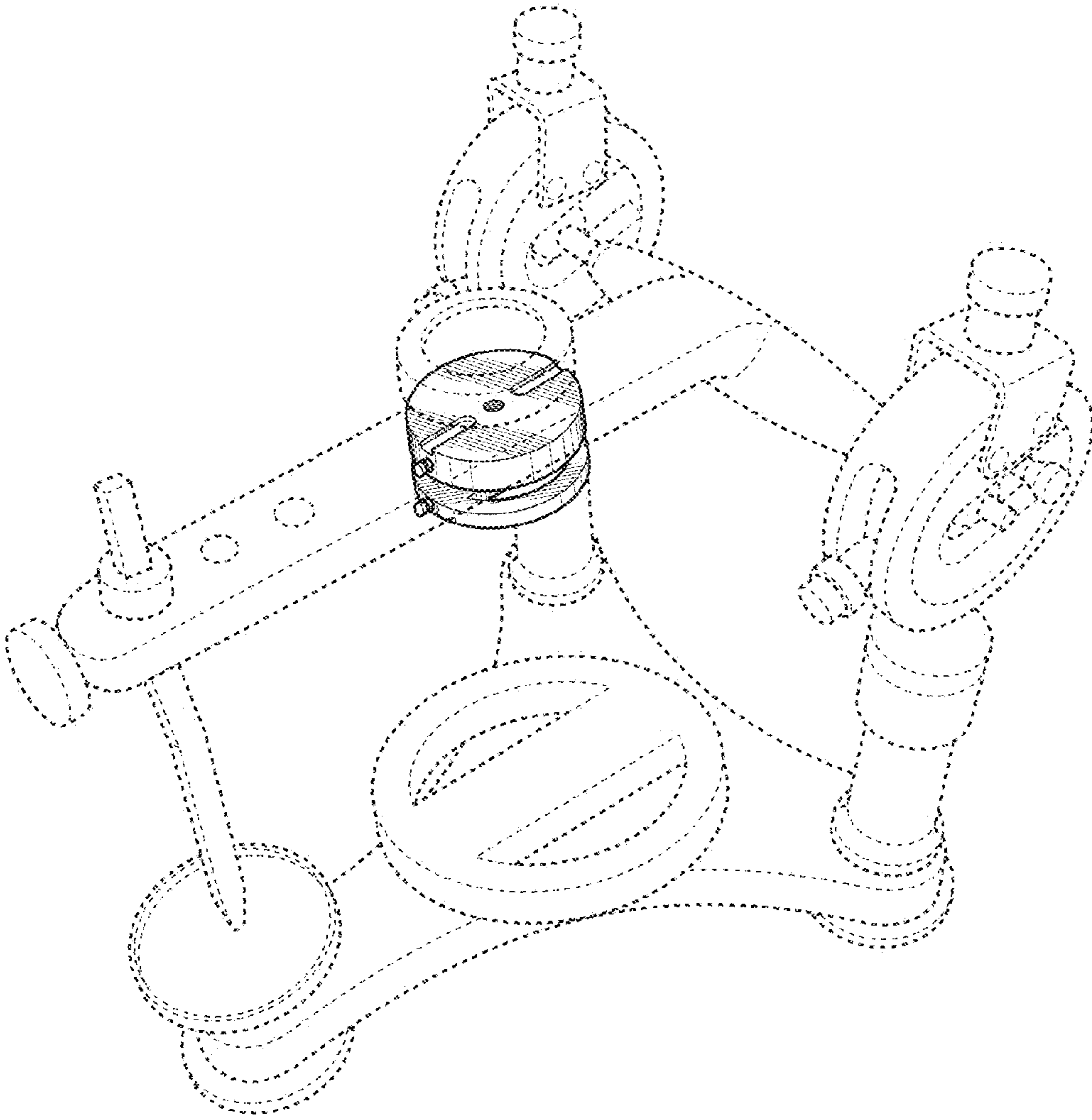


FIG. 1

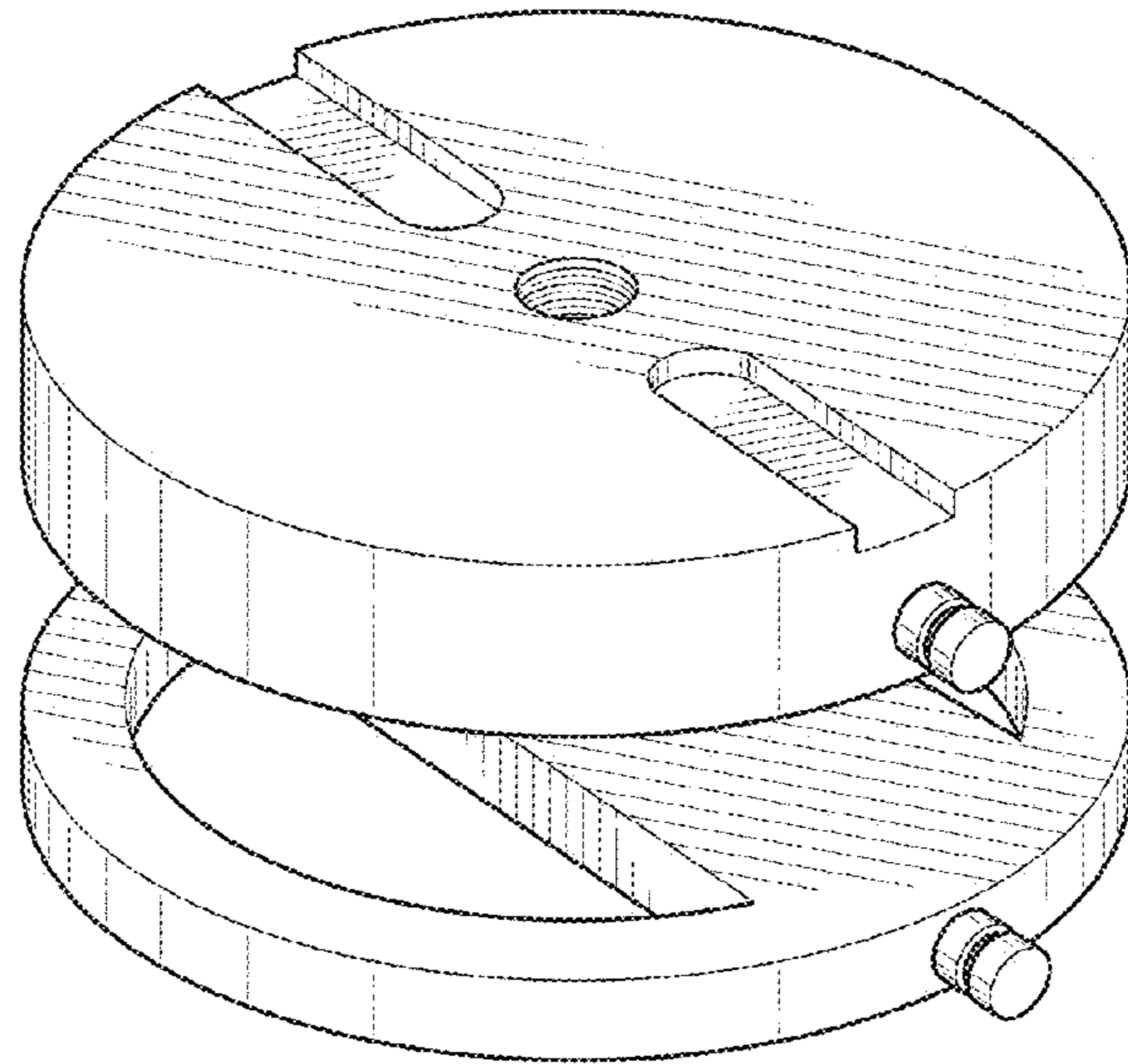


FIG. 2

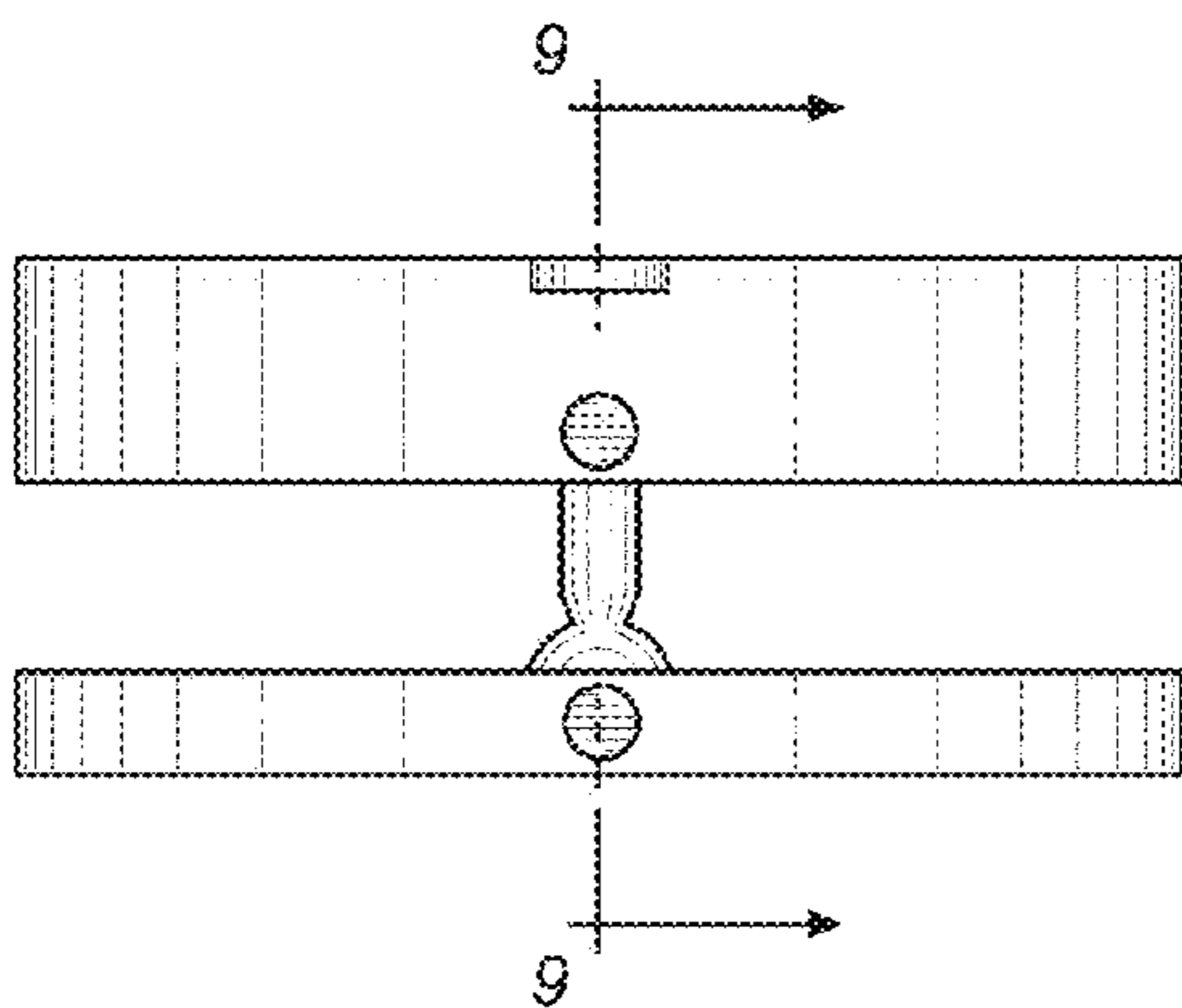


FIG. 3

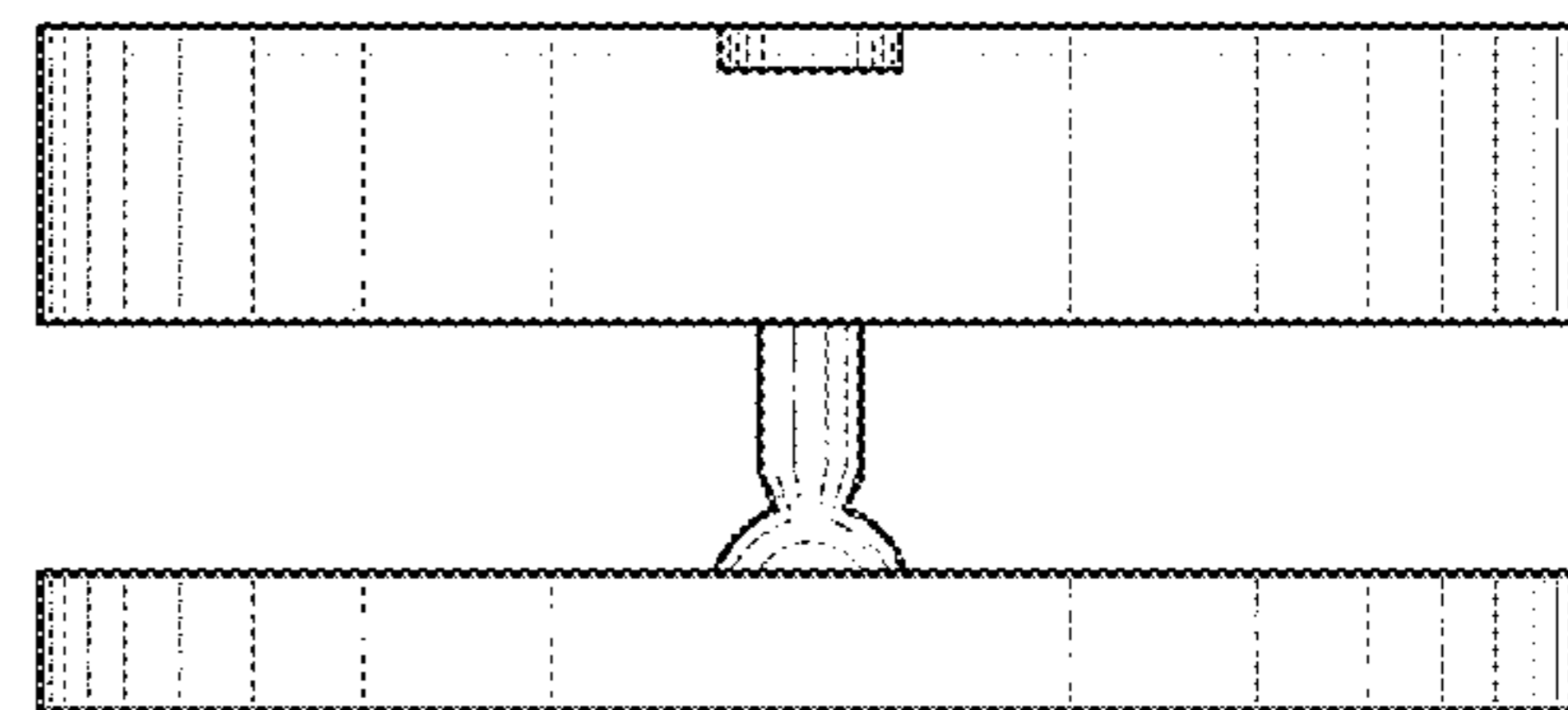


FIG. 4

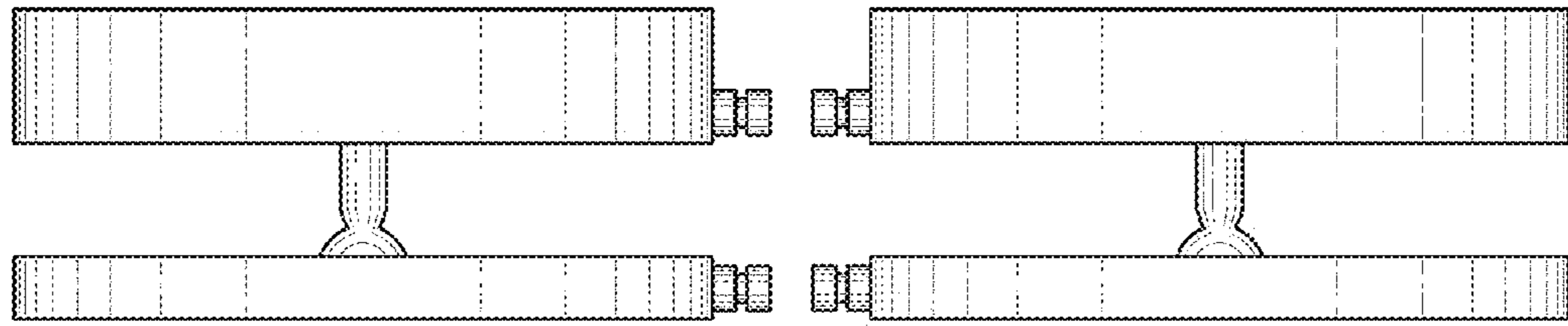


FIG. 5

FIG. 6

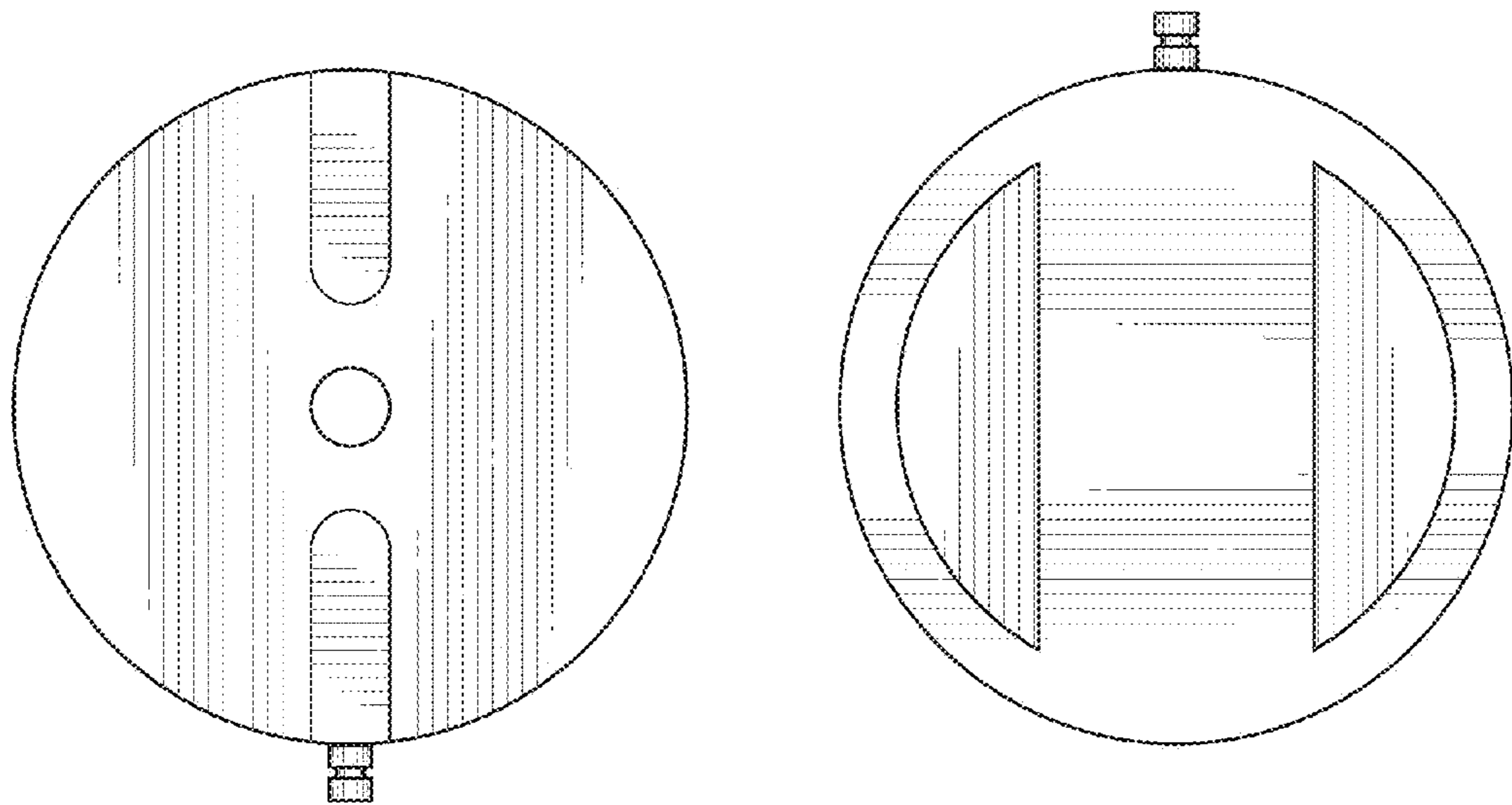


FIG. 7

FIG. 8

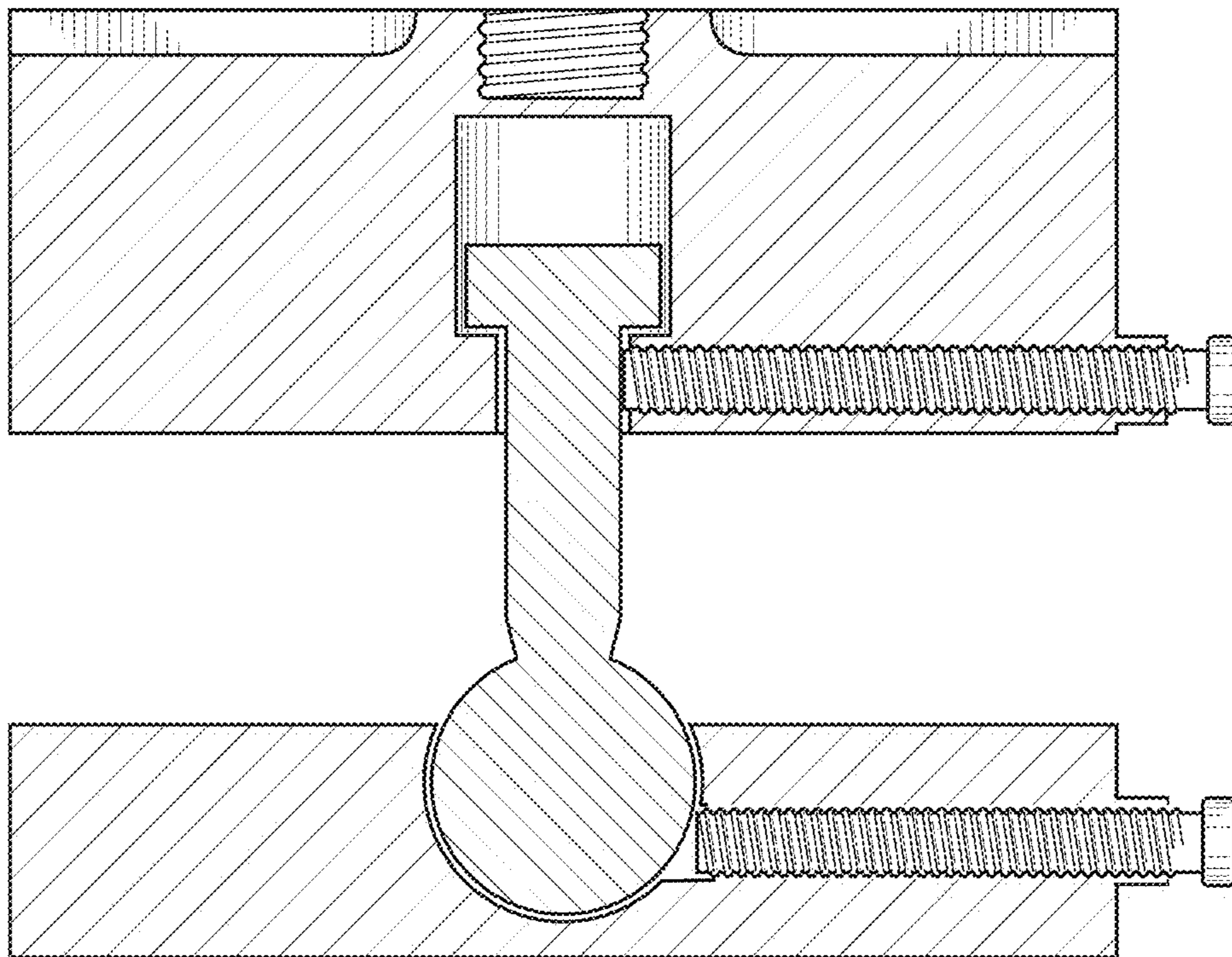


FIG. 9