



US00D691726S

(12) **United States Design Patent**
Jin et al.

(10) **Patent No.:** **US D691,726 S**
(45) **Date of Patent:** **** Oct. 15, 2013**

(54) **FINGER-CLIPPED PULSE OXIMETER**
(75) Inventors: **Jiuhe Jin**, Beijing (CN); **Wei Wang**,
Beijing (CN); **Changbo Li**, Beijing (CN)
(73) Assignee: **Beijing Choice Electronic Technology**
Co., Ltd., Beijing (CN)

(**) Term: **14 Years**

(21) Appl. No.: **29/402,534**

(22) Filed: **Sep. 23, 2011**

(30) **Foreign Application Priority Data**

Mar. 24, 2011 (CN) 2011 3 0054027

(51) **LOC (9) Cl.** **24-01**

(52) **U.S. Cl.**
USPC **D24/169; D24/167**

(58) **Field of Classification Search**
USPC D24/165–169, 107, 186, 216, 223, 231,
D24/232; D10/46, 81; D14/341; 422/56, 58,
422/68.1; 600/316, 322, 323, 347, 365,
600/368, 340, 344
See application file for complete search history.

(56) **References Cited**

U.S. PATENT DOCUMENTS

4,685,464 A * 8/1987 Goldberger et al. 600/344
D356,870 S * 3/1995 Ivers et al. D24/164
5,792,052 A * 8/1998 Isaacson et al. 600/323
D455,834 S * 4/2002 Donars et al. D24/169

D463,561 S * 9/2002 Fukatsu et al. D24/165
6,580,086 B1 * 6/2003 Schulz et al. 250/557
6,643,531 B1 * 11/2003 Katarow 600/344
D603,966 S * 11/2009 Jones et al. D24/164
D615,655 S * 5/2010 Maser et al. D24/169
D621,516 S * 8/2010 Kiani et al. D24/186
D646,391 S * 10/2011 Ibuki et al. D24/165
D670,388 S * 11/2012 Jin et al. D24/169
2009/0043180 A1 * 2/2009 Tschautscher et al. 600/323
2010/0036218 A1 * 2/2010 Wang et al. 600/323
2010/0105996 A1 * 4/2010 Segman 600/322

* cited by examiner

Primary Examiner — Anhdao Doan

(74) *Attorney, Agent, or Firm* — The Webb Law Firm

(57) **CLAIM**

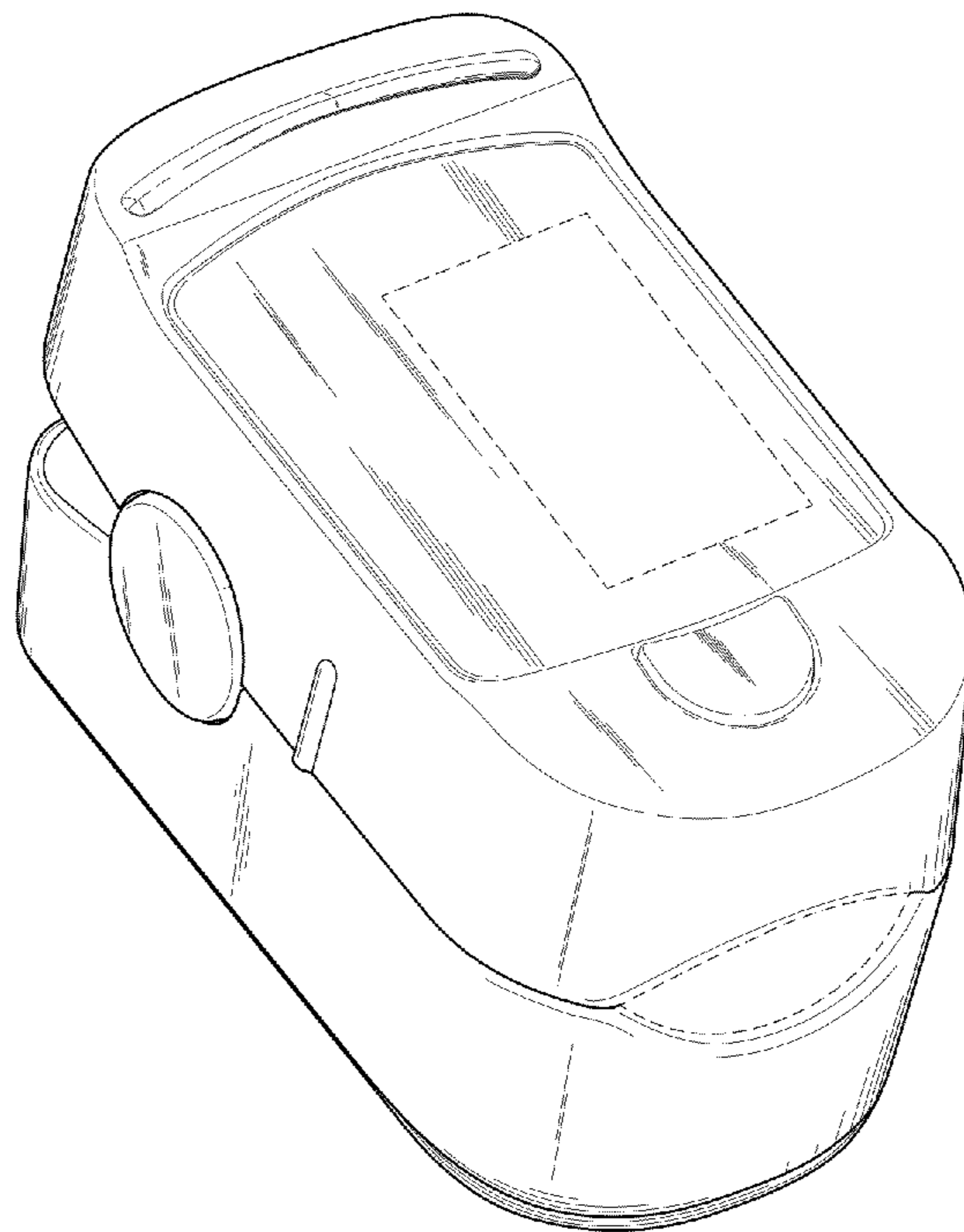
The ornamental design for a finger-clipped pulse oximeter, as shown and described.

DESCRIPTION

FIG. 1 is a perspective view of a finger-clipped pulse oximeter in accordance with our new design;
FIG. 2 is a front view thereof;
FIG. 3 is a rear view thereof;
FIG. 4 is a bottom view thereof;
FIG. 5 is a top view thereof;
FIG. 6 is a left side view thereof; and,
FIG. 7 is a right side view thereof.

The portions of the finger-clipped pulse oximeter shown in broken lines form no part of the claimed design.

1 Claim, 4 Drawing Sheets



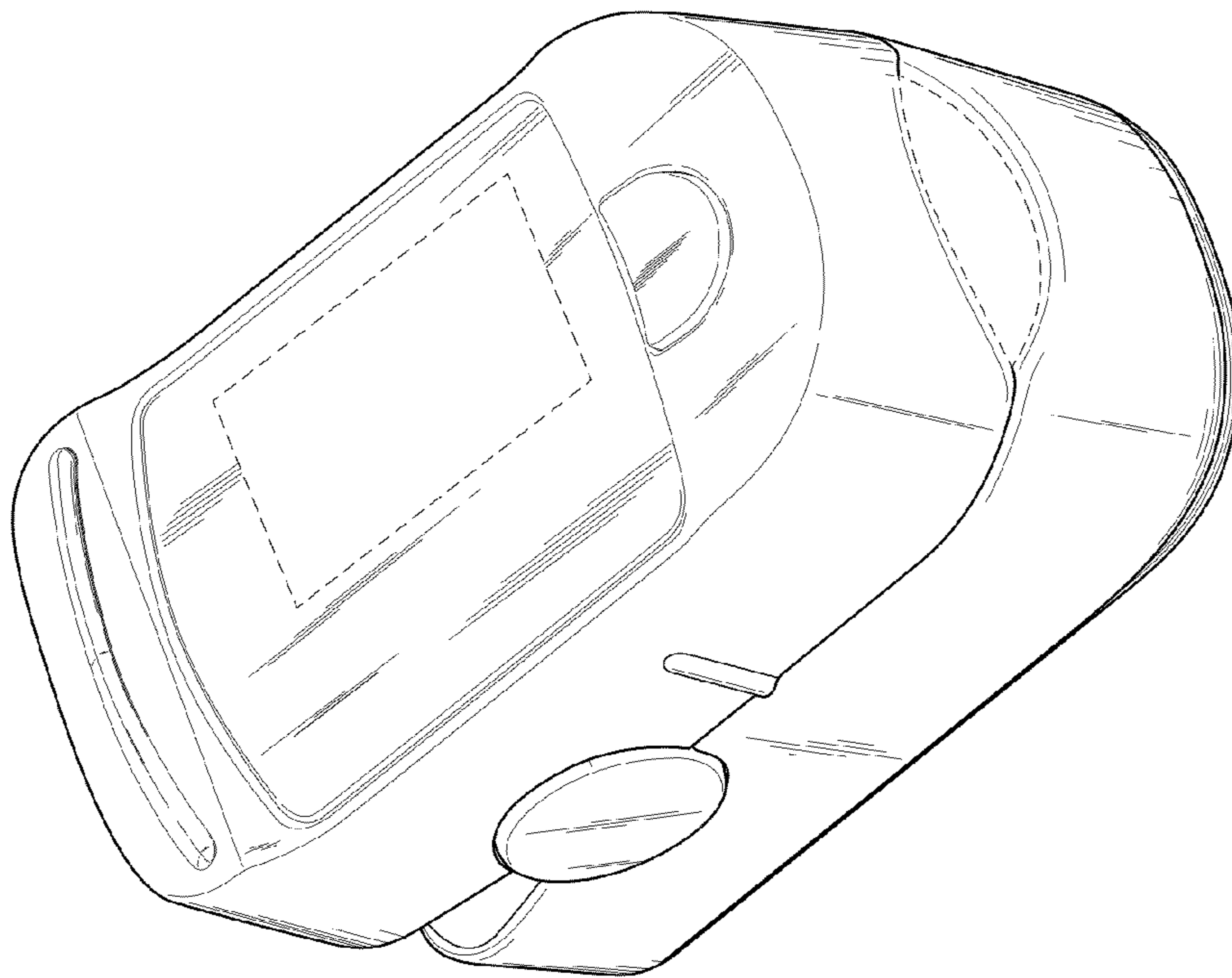


FIG. 1

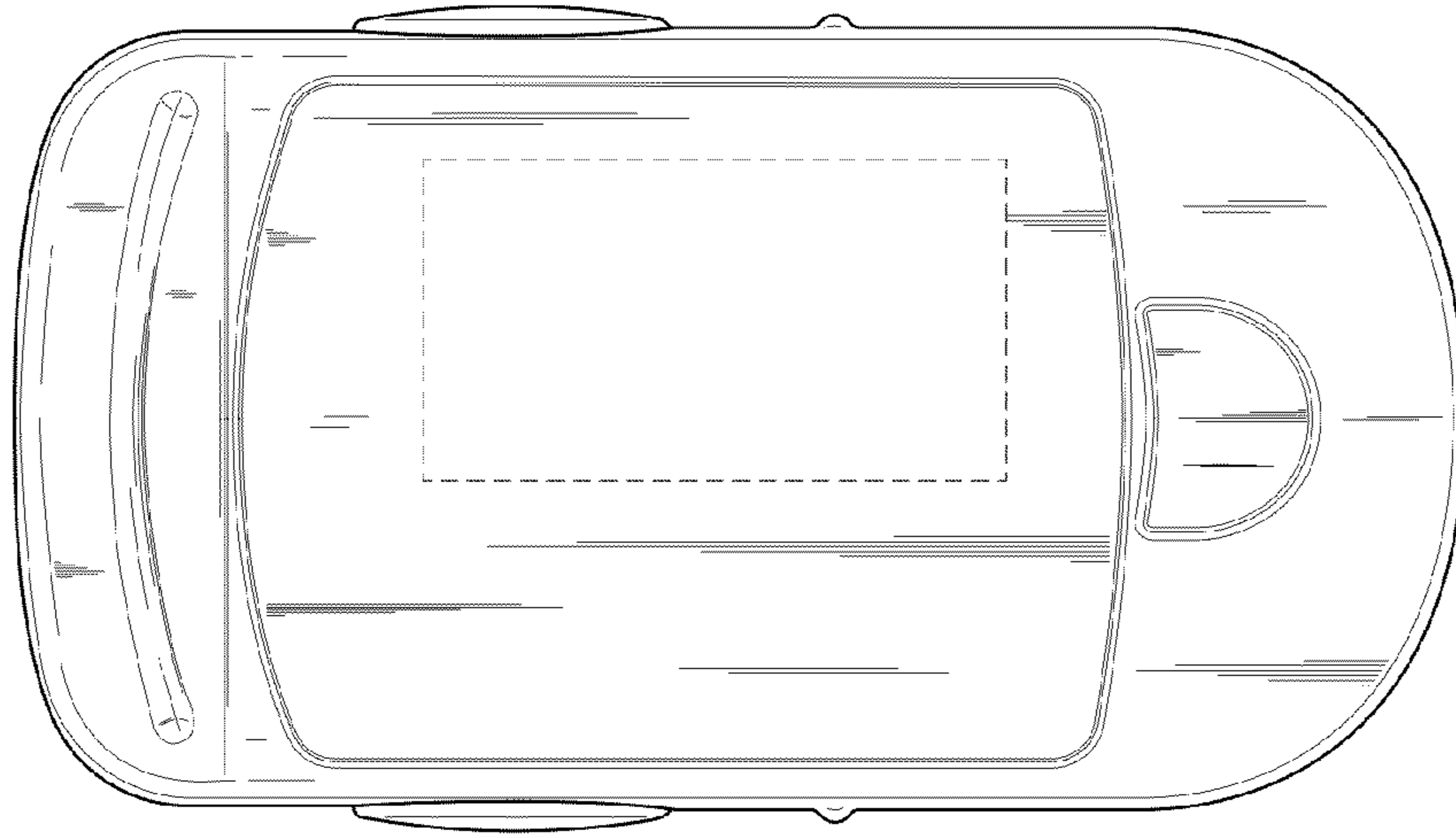


FIG. 2

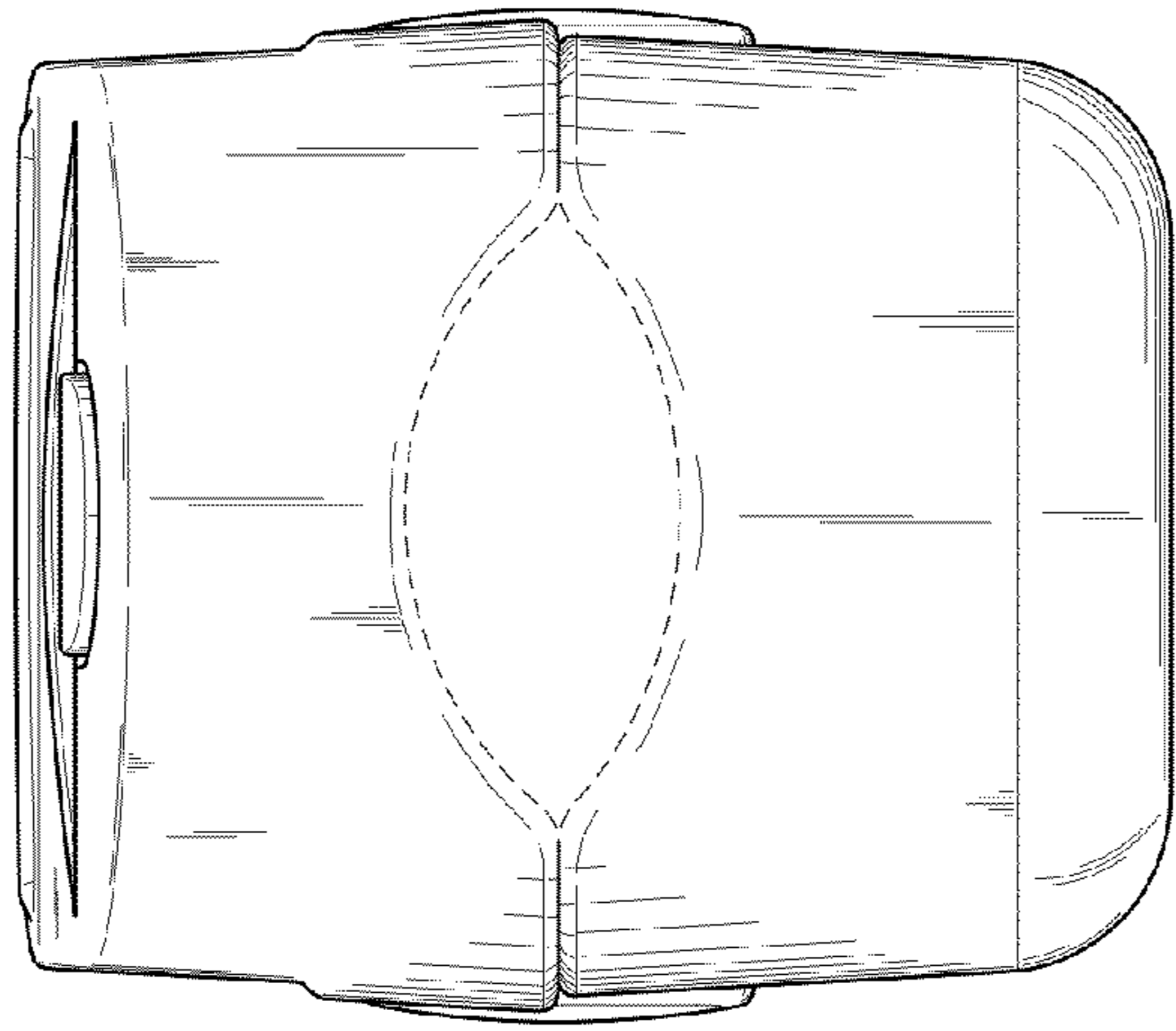


FIG. 4

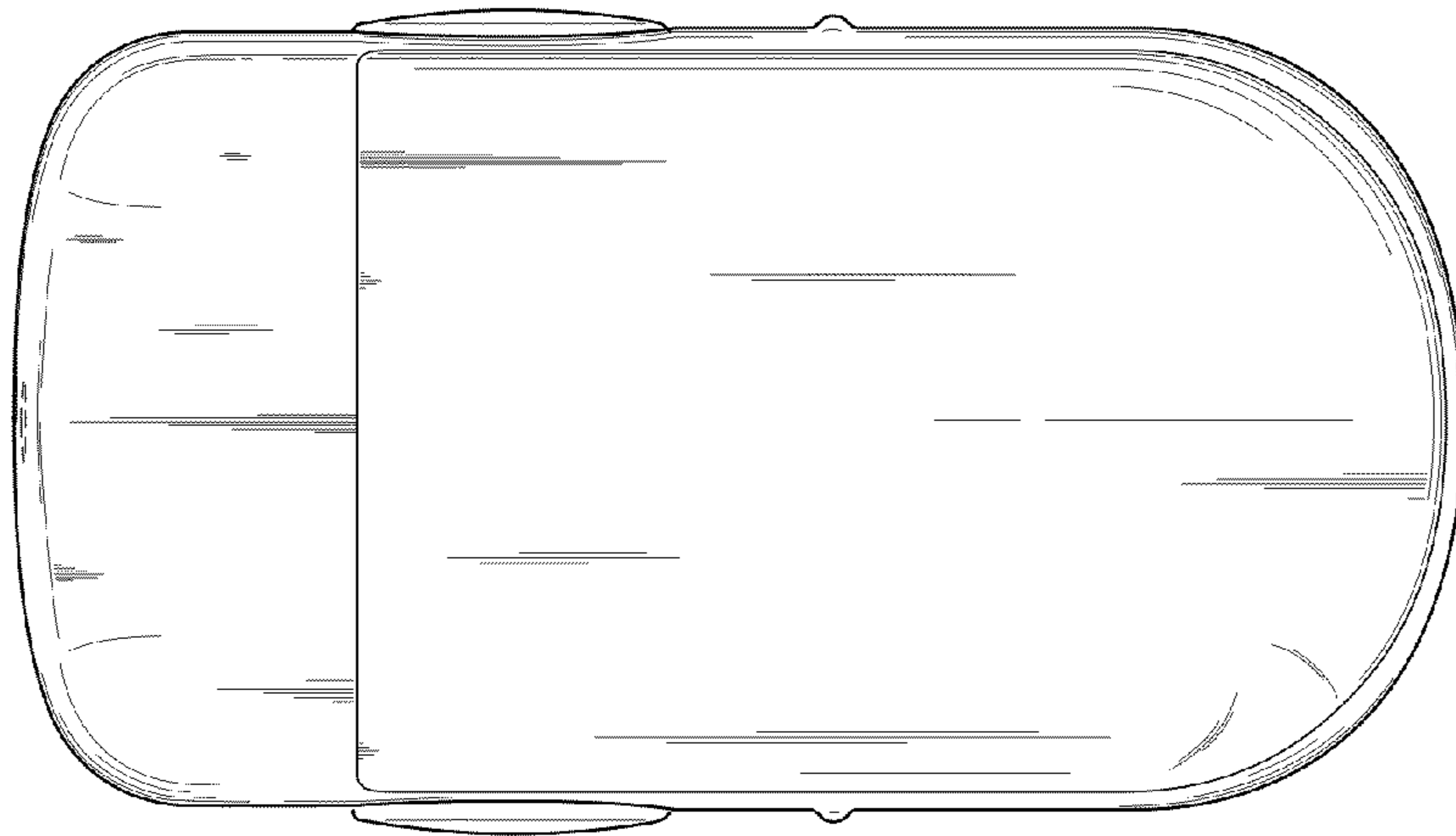


FIG. 3

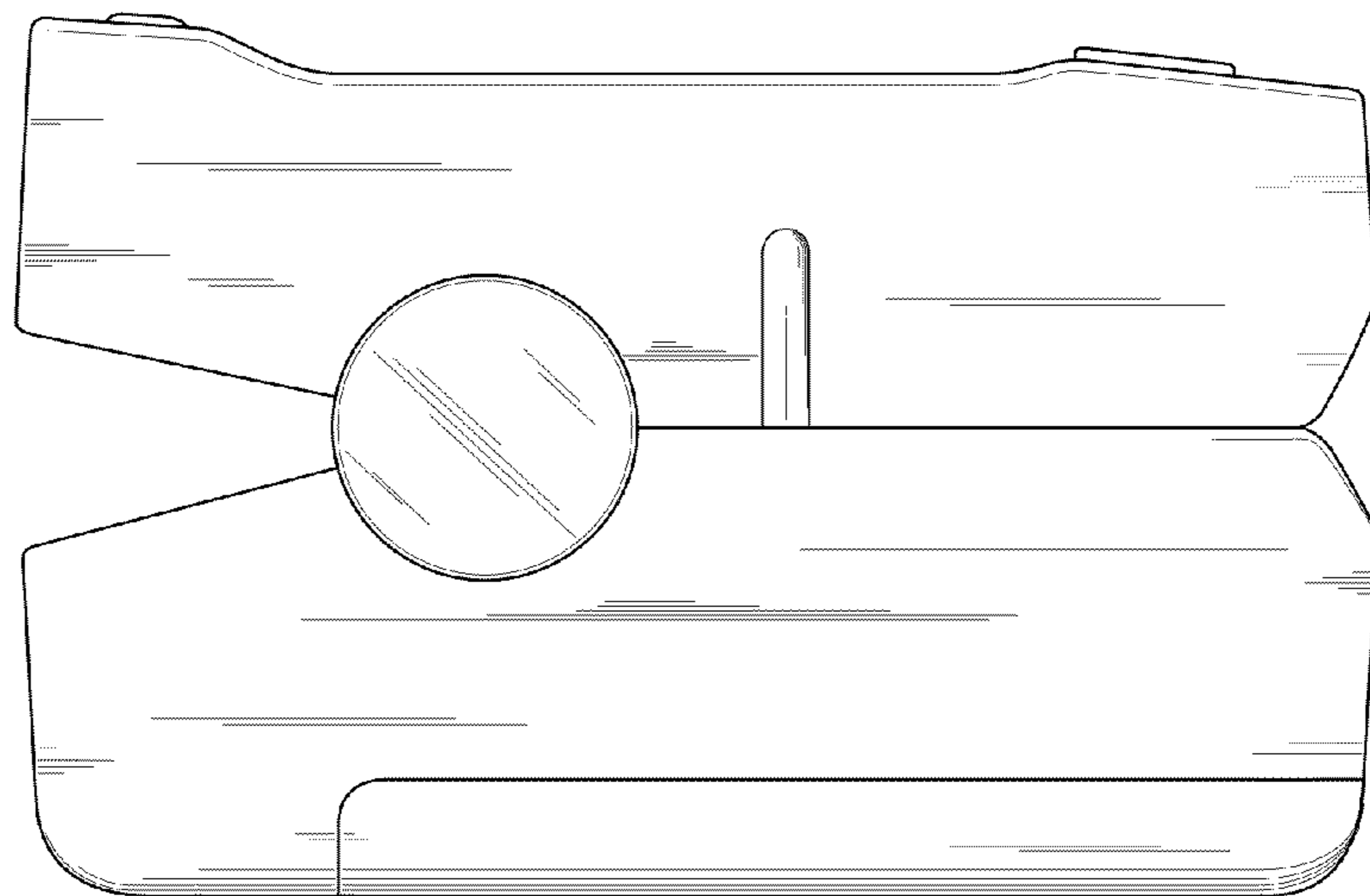


FIG. 6

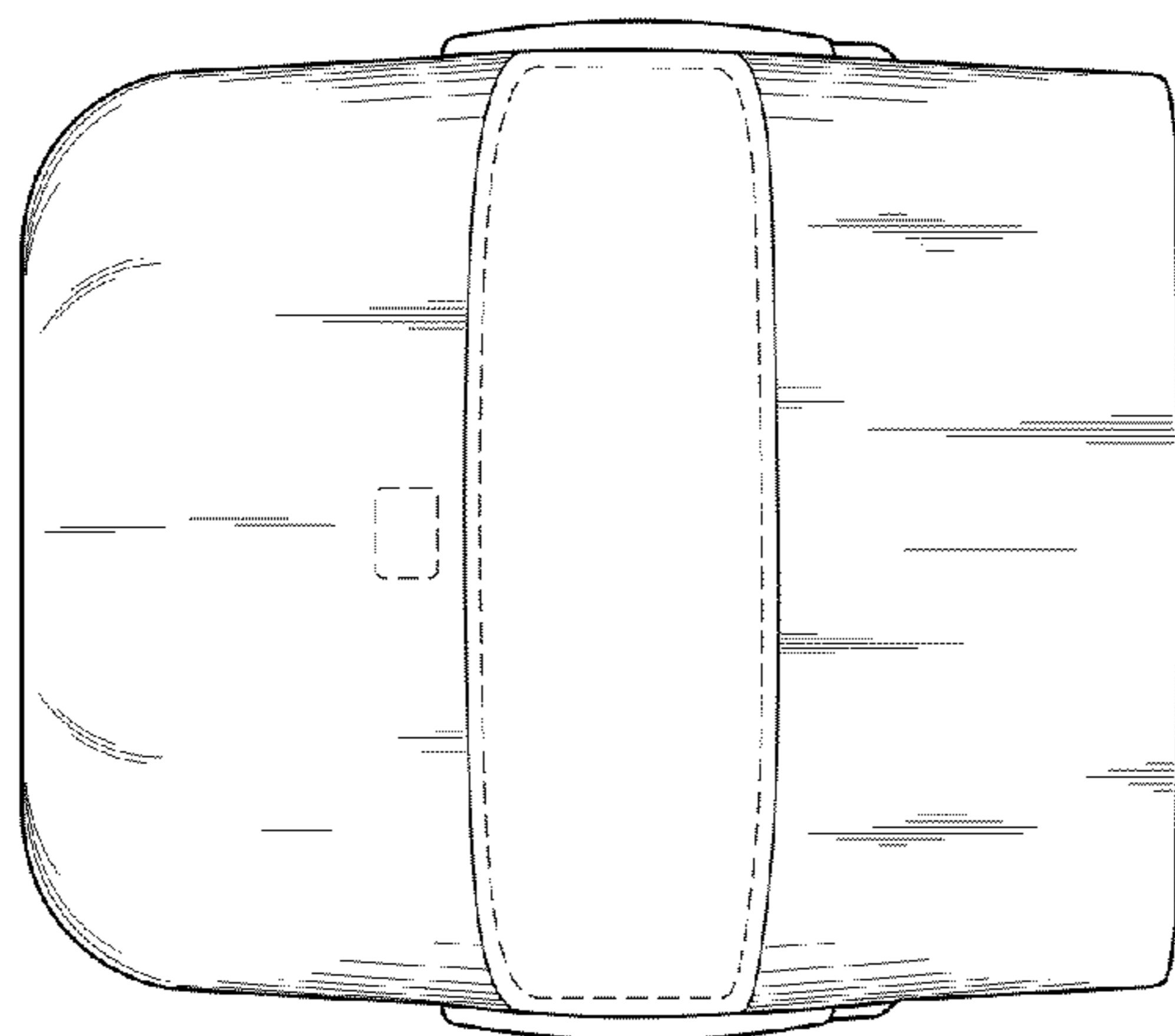


FIG. 5

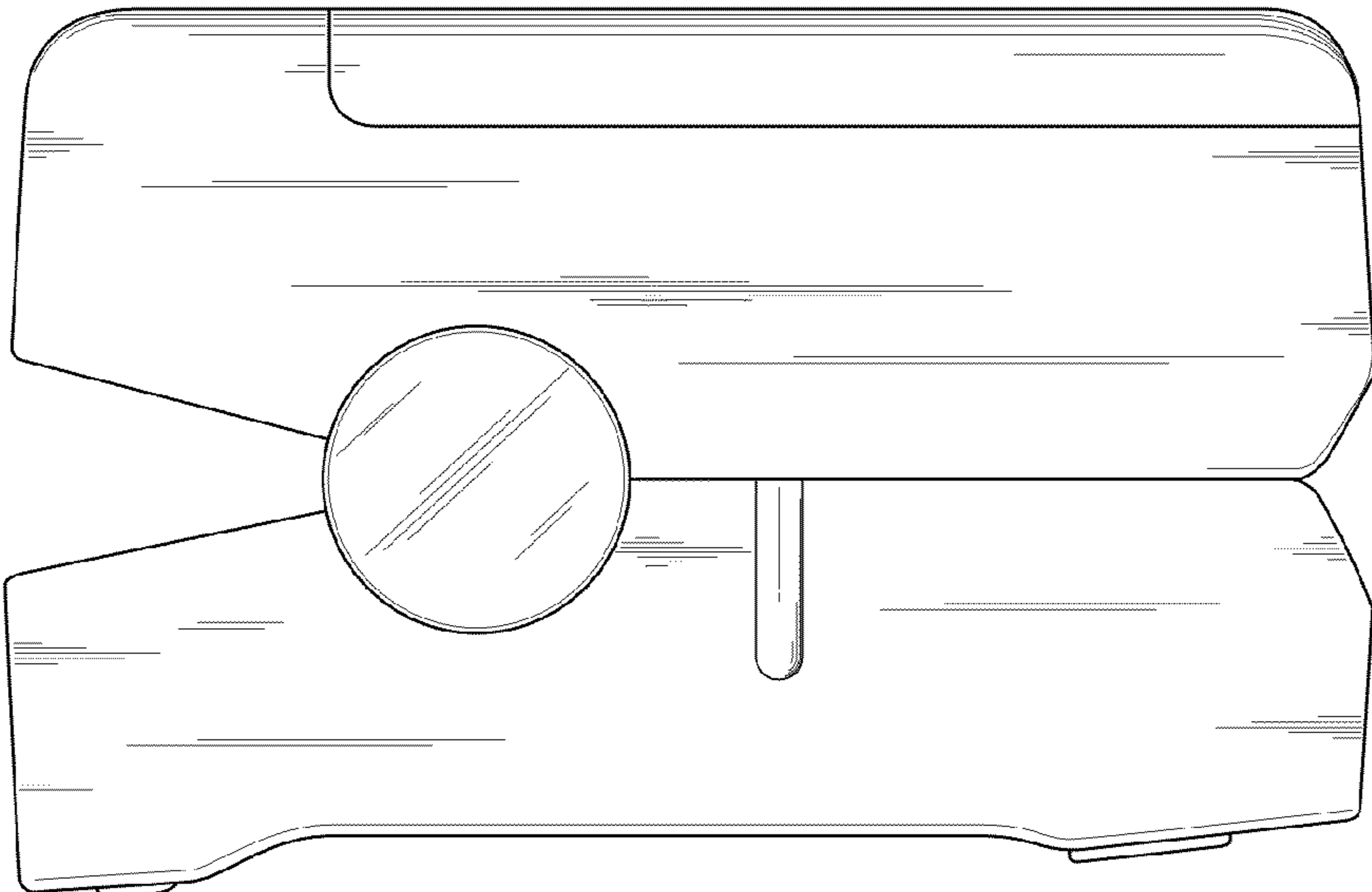


FIG. 7