



US00D691725S

(12) **United States Design Patent**
Noguchi et al.

(10) **Patent No.:** **US D691,725 S**

(45) **Date of Patent:** **** Oct. 15, 2013**

(54) **SPHYGMOMANOMETER**

(71) Applicants: **So Noguchi**, Hirakata (JP); **Shuji Tsuruta**, Ibaraki (JP); **Yoshikazu Inami**, Akashi (JP); **Daisuki Nozaki**, Kyoto (JP); **Takeyasu Hashimoto**, Kusatsu (JP); **Shinjiro Komizo**, Kyoto (JP); **Masahiko Yumoto**, Kyoto (JP); **Tsutomu Yamasawa**, Takatsuki (JP); **Toshiaki Yuasa**, Moriyama (JP)

(72) Inventors: **So Noguchi**, Hirakata (JP); **Shuji Tsuruta**, Ibaraki (JP); **Yoshikazu Inami**, Akashi (JP); **Daisuki Nozaki**, Kyoto (JP); **Takeyasu Hashimoto**, Kusatsu (JP); **Shinjiro Komizo**, Kyoto (JP); **Masahiko Yumoto**, Kyoto (JP); **Tsutomu Yamasawa**, Takatsuki (JP); **Toshiaki Yuasa**, Moriyama (JP)

(73) Assignee: **Omron Healthcare Co., Ltd.**, Kyoto (JP)

(**) Term: **14 Years**

(21) Appl. No.: **29/447,384**

(22) Filed: **Mar. 2, 2013**

Related U.S. Application Data

(62) Division of application No. 29/397,998, filed on Jul. 25, 2011, now Pat. No. Des. 683,027.

(30) **Foreign Application Priority Data**

Jan. 26, 2011	(JP)	2011-001568
Jan. 26, 2011	(JP)	2011-001569
Jan. 26, 2011	(JP)	2011-001570
Mar. 15, 2011	(JP)	2011-005938
Mar. 22, 2011	(JP)	2011-006419
Mar. 22, 2011	(JP)	2011-006420
Mar. 22, 2011	(JP)	2011-006421
Mar. 22, 2011	(JP)	2011-006422

(51) **LOC (9) Cl.** 24-02

(52) **U.S. Cl.**
USPC **D24/165**

(58) **Field of Classification Search**
USPC D24/164-168, 186, 107; D10/46, 75, D10/98; 600/301, 481-483, 485, 490, 600/493-495, 500, 503, 509; 128/900
See application file for complete search history.

(56) **References Cited**

U.S. PATENT DOCUMENTS

D437,414 S * 2/2001 Kern et al. D24/165
(Continued)

FOREIGN PATENT DOCUMENTS

CN 3547736 S 7/2006
CN 3652658 S 5/2007

(Continued)

Primary Examiner — Anhdao Doan

(74) *Attorney, Agent, or Firm* — Capitol City TechLaw

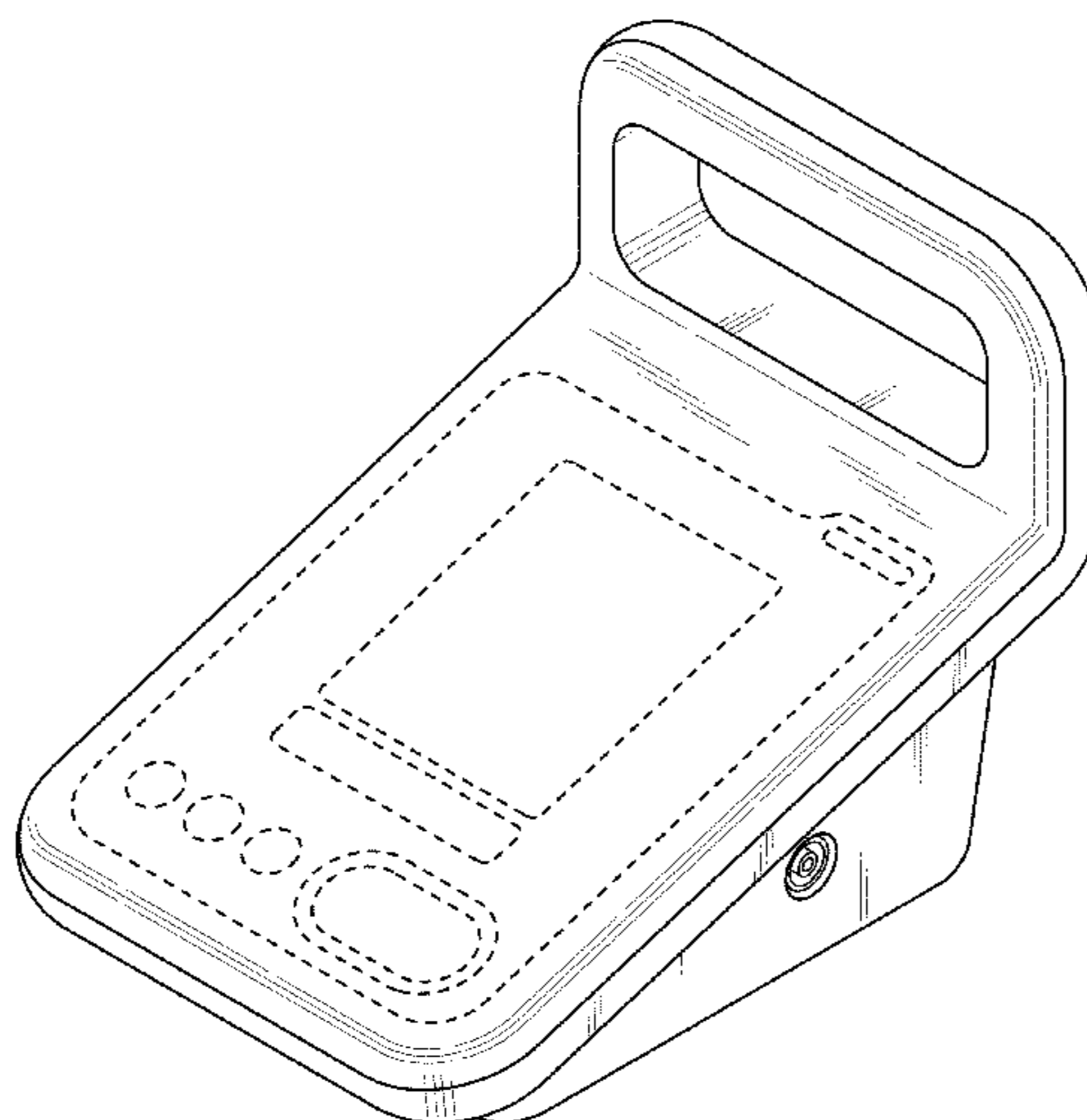
(57) **CLAIM**

The ornamental design for a sphygmomanometer, as shown and described.

DESCRIPTION

FIG. 1 is a front, top, and right side perspective view of a sphygmomanometer showing our new design;
FIG. 2 is a front view thereof;
FIG. 3 is a rear view thereof;
FIG. 4 is a top view thereof;
FIG. 5 is a bottom view thereof;
FIG. 6 is a right side view thereof; and,
FIG. 7 is a left side view thereof.
The broken lines shown in the figures are included for the purpose of illustrating portions of the sphygmomanometer that form no part of the claimed design.

1 Claim, 7 Drawing Sheets



(56)

References Cited

FOREIGN PATENT DOCUMENTS

U.S. PATENT DOCUMENTS

D439,669 S * 3/2001 Grunstad et al. D24/169
 D473,308 S * 4/2003 Nakanishi D24/165
 D475,137 S 5/2003 Manke et al.
 D537,944 S 3/2007 Eda et al.
 D541,941 S 5/2007 Nakanishi et al.
 D569,978 S 5/2008 Eda et al.
 D577,440 S 9/2008 Ferber et al.
 D583,474 S 12/2008 Mitsunami et al.
 D583,948 S * 12/2008 Hachimaru et al. D24/165
 D600,814 S * 9/2009 Lathrop et al. D24/186
 D609,343 S 2/2010 Omaki
 D609,344 S * 2/2010 Hara D24/165
 D641,881 S 7/2011 Inami et al.
 D651,319 S 12/2011 Hara
 D651,716 S * 1/2012 Shibata et al. D24/165
 D670,394 S * 11/2012 Collins D24/186

EM 000404637-0001 A1 11/2005
 EM 000743638-0006 A1 7/2007
 EM 000894191-0002 A1 4/2008
 JP D1239550 S 5/2005
 JP D1267443 S 4/2006
 JP D1387527 S 5/2010
 JP D1387528 S 5/2010
 JP D1387631 S 5/2010
 JP D1396052 S 8/2010
 JP D1403528 S 12/2010
 JP D1403529 S 12/2010
 JP D1403530 S 12/2010
 JP D1403531 S 12/2010
 JP D1415684 S 6/2011
 JP D1416703 S 6/2011

* cited by examiner

FIG. 1

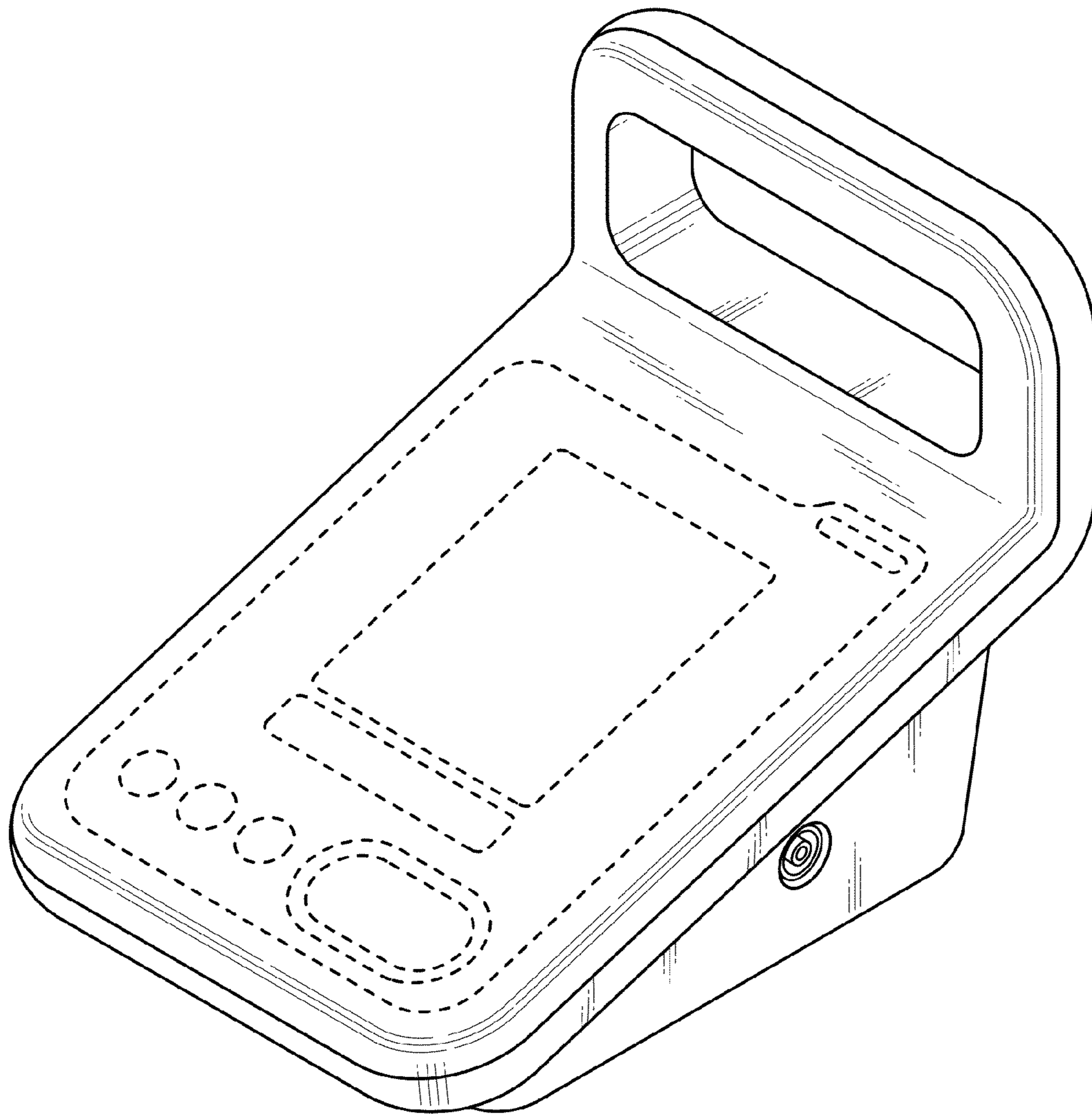


FIG. 2

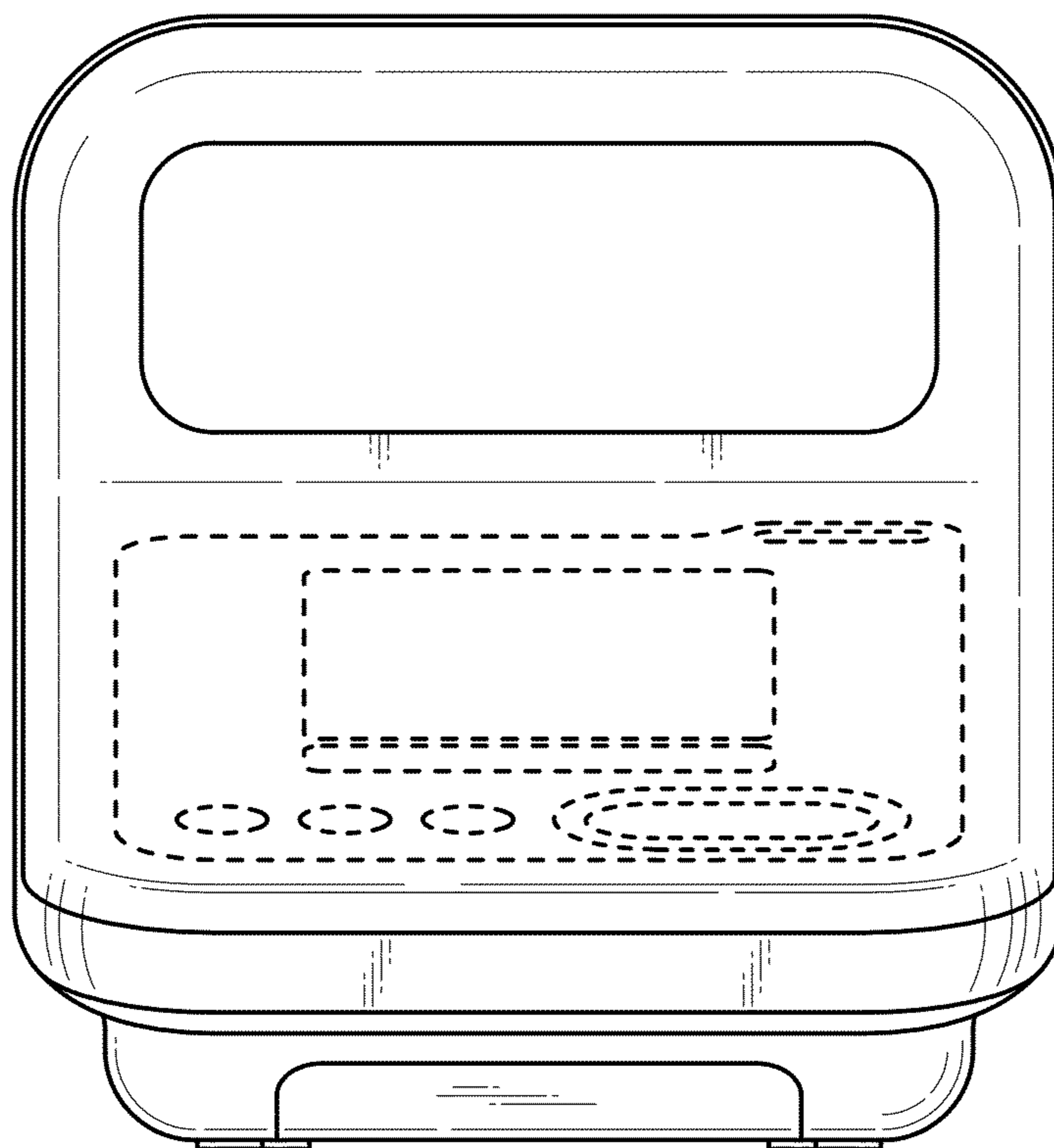


FIG. 3

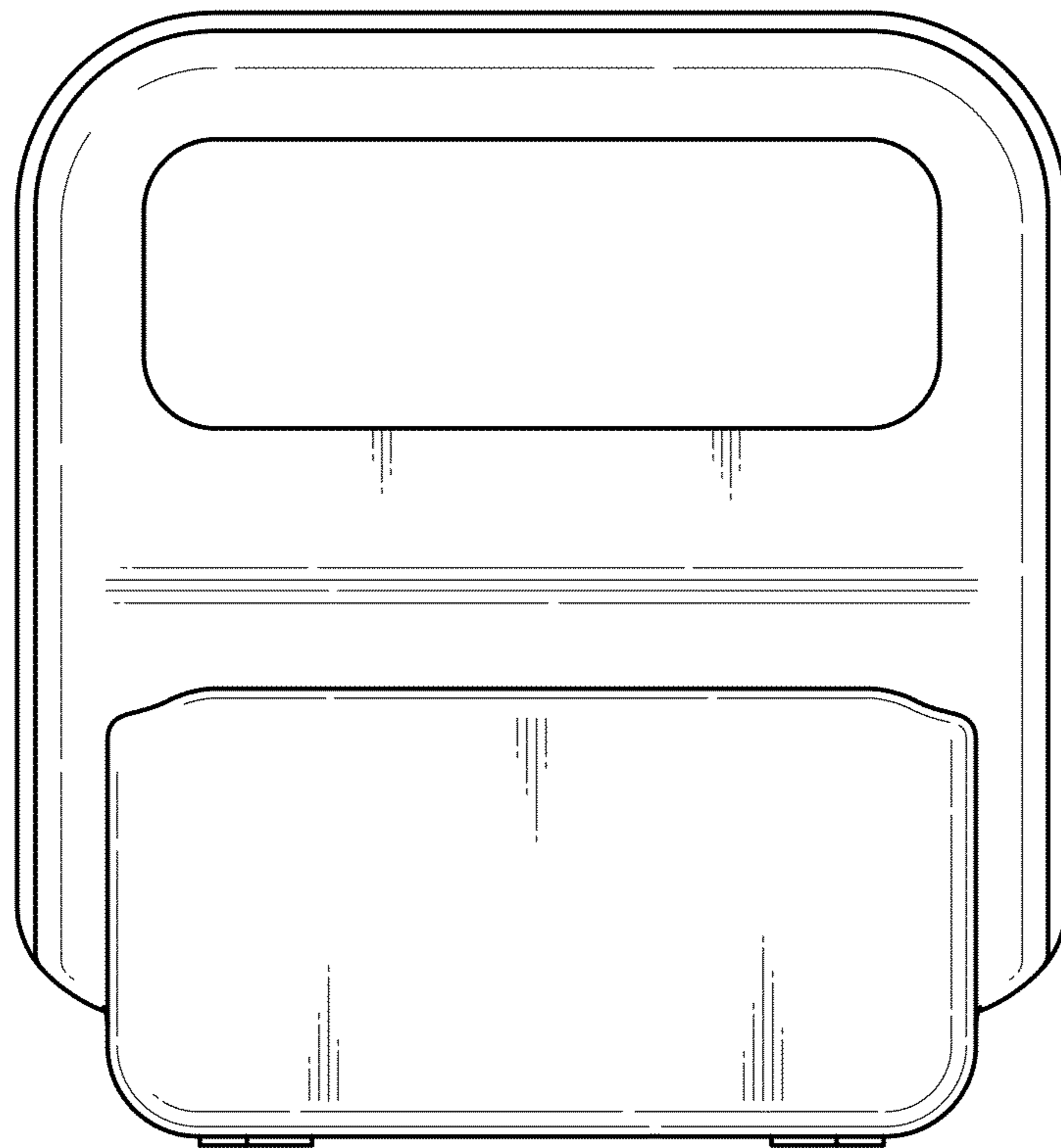


FIG. 4

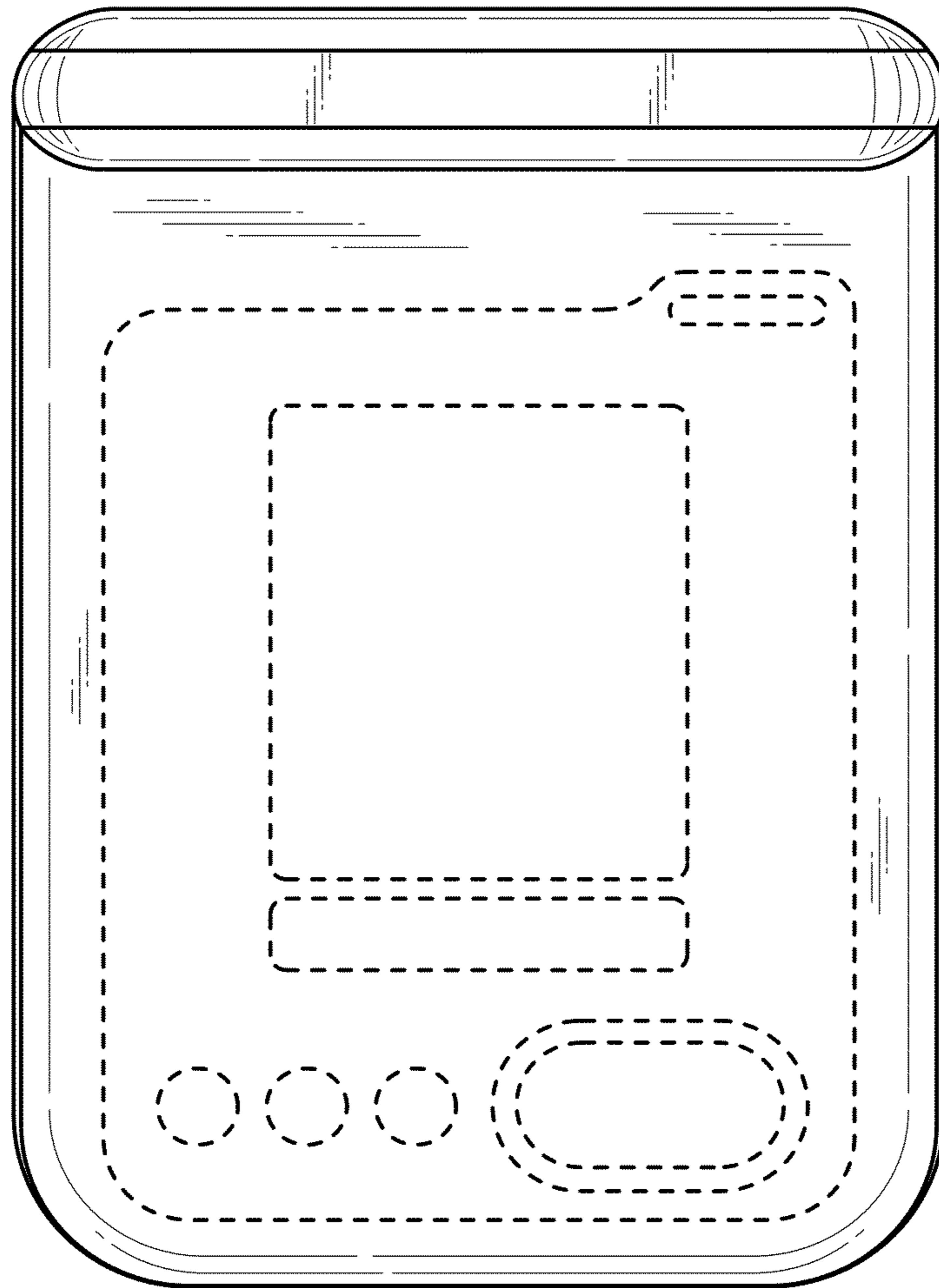


FIG. 5

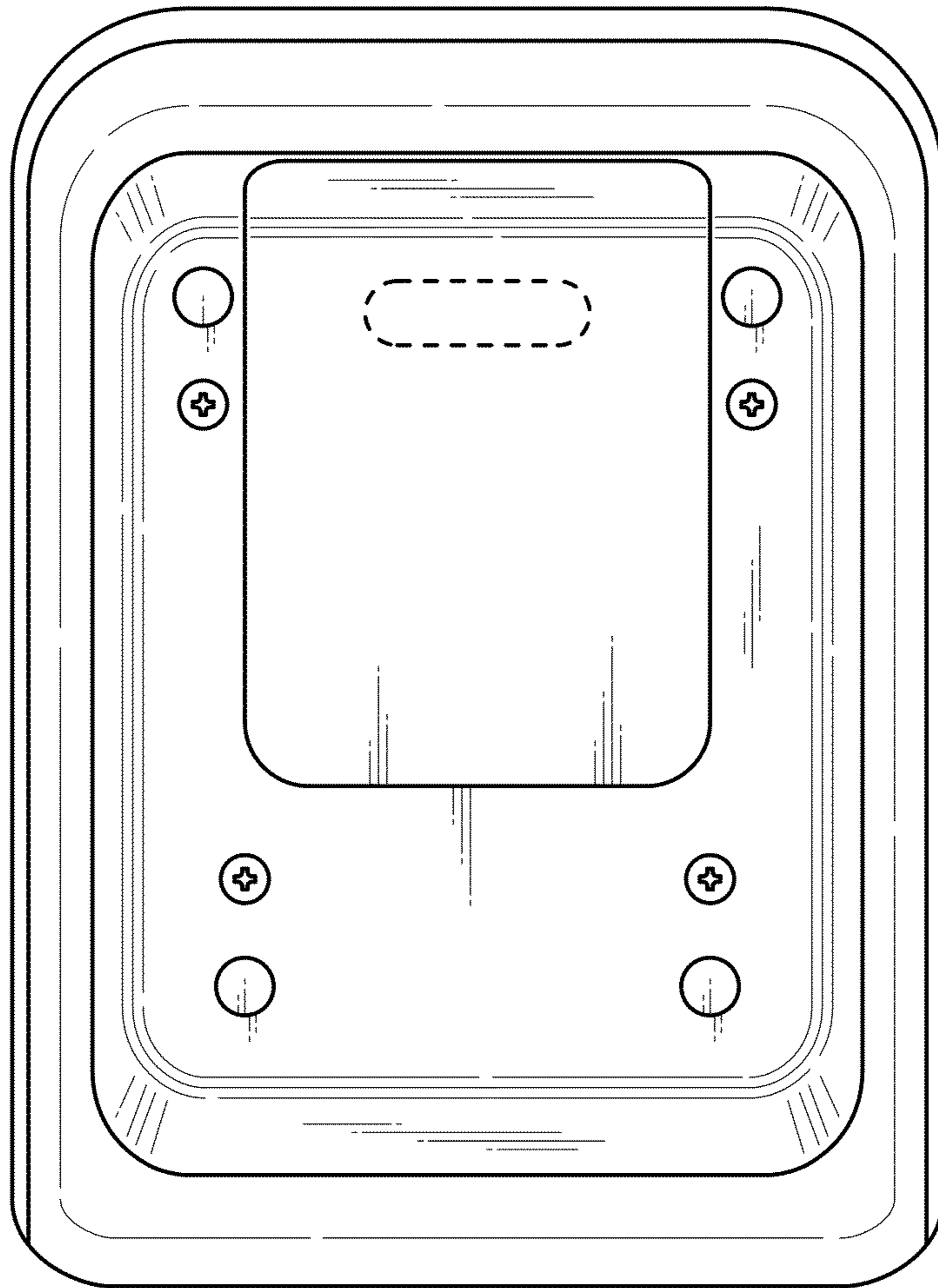


FIG. 6

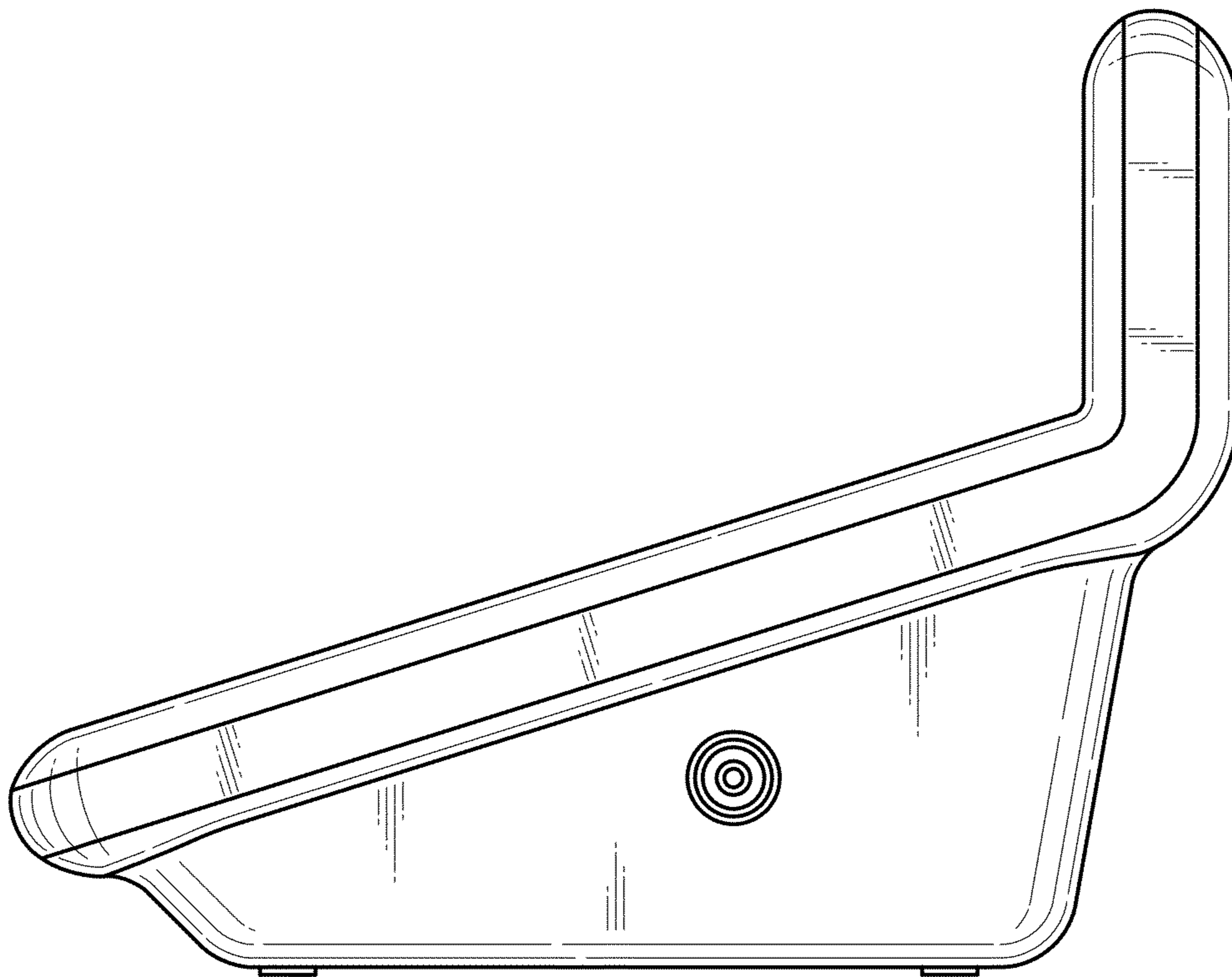


FIG. 7

