

US00D691718S

(12) **United States Design Patent**
Ryan et al.

(10) **Patent No.:** **US D691,718 S**
(45) **Date of Patent:** **** Oct. 15, 2013**

- (54) **MICRODEBRIDER**
- (75) Inventors: **Phillip A. Ryan**, Memphis, TN (US);
Michael J. Bennett, Bartlett, TN (US);
Paul E. Yarbrough, Stanton, TN (US)
- (73) Assignee: **Gyrus ACMI, Inc.**, Southborough, MA (US)
- (**) Term: **14 Years**
- (21) Appl. No.: **29/430,269**
- (22) Filed: **Aug. 23, 2012**
- (51) **LOC (9) Cl.** **24-02**
- (52) **U.S. Cl.**
USPC **D24/133**
- (58) **Field of Classification Search**
USPC D24/133, 137, 138, 140, 144, 143, 145,
D24/146, 147, 148, 149; 604/22; 606/198,
606/41, 86 R
See application file for complete search history.

5,904,681 A	5/1999	West, Jr.	
6,048,339 A	4/2000	Zirps et al.	
6,053,923 A	4/2000	Veca et al.	
6,246,638 B1	6/2001	Zook et al.	
6,471,659 B2 *	10/2002	Eggers et al.	600/564
6,494,892 B1	12/2002	Ireland et al.	
6,645,218 B1	11/2003	Cassidy et al.	
6,716,215 B1	4/2004	David et al.	
6,979,332 B2	12/2005	Adam	
D537,162 S *	2/2007	Bacher et al.	D24/133
7,179,255 B2	2/2007	Lettice et al.	
7,237,990 B2	7/2007	Deng	
7,247,161 B2	7/2007	Johnston et al.	
D578,216 S *	10/2008	Dorn et al.	D24/133
7,442,191 B2	10/2008	Hovda et al.	
7,674,263 B2	3/2010	Ryan	
8,062,344 B2 *	11/2011	Dorn et al.	623/1.11
8,109,956 B2	2/2012	Shadeck	
2002/0038129 A1	3/2002	Peters et al.	
2004/0243163 A1	12/2004	Casiano et al.	
2005/0277970 A1	12/2005	Norman et al.	
2006/0264927 A1 *	11/2006	Ryan	606/45
2010/0298763 A1	11/2010	Adams et al.	
2012/0221035 A1	8/2012	Harvey	

* cited by examiner

Primary Examiner — Bridget L Eland

(74) *Attorney, Agent, or Firm* — The Dobrusin Law Firm, PC

(56) **References Cited**
U.S. PATENT DOCUMENTS

3,955,284 A	5/1976	Balson	
4,646,738 A	3/1987	Trott	
5,112,299 A	5/1992	Pascaloff	
5,152,744 A	10/1992	Krause et al.	
5,230,704 A	7/1993	Moberg et al.	
5,376,078 A	12/1994	Dinger, III et al.	
5,411,514 A	5/1995	Fucci et al.	
5,492,527 A	2/1996	Glowa et al.	
5,540,708 A	7/1996	Lim et al.	
5,560,373 A	10/1996	De Santis	
5,560,704 A	10/1996	Hiemstra et al.	
5,609,447 A	3/1997	Britzke et al.	
D380,544 S *	7/1997	Sandock	D24/108
5,810,809 A	9/1998	Rydell	
5,814,044 A	9/1998	Hooven	
5,849,023 A	12/1998	Mericle	
5,873,886 A	2/1999	Larsen et al.	
5,885,288 A	3/1999	Aust et al.	
5,899,915 A	5/1999	Saadat	

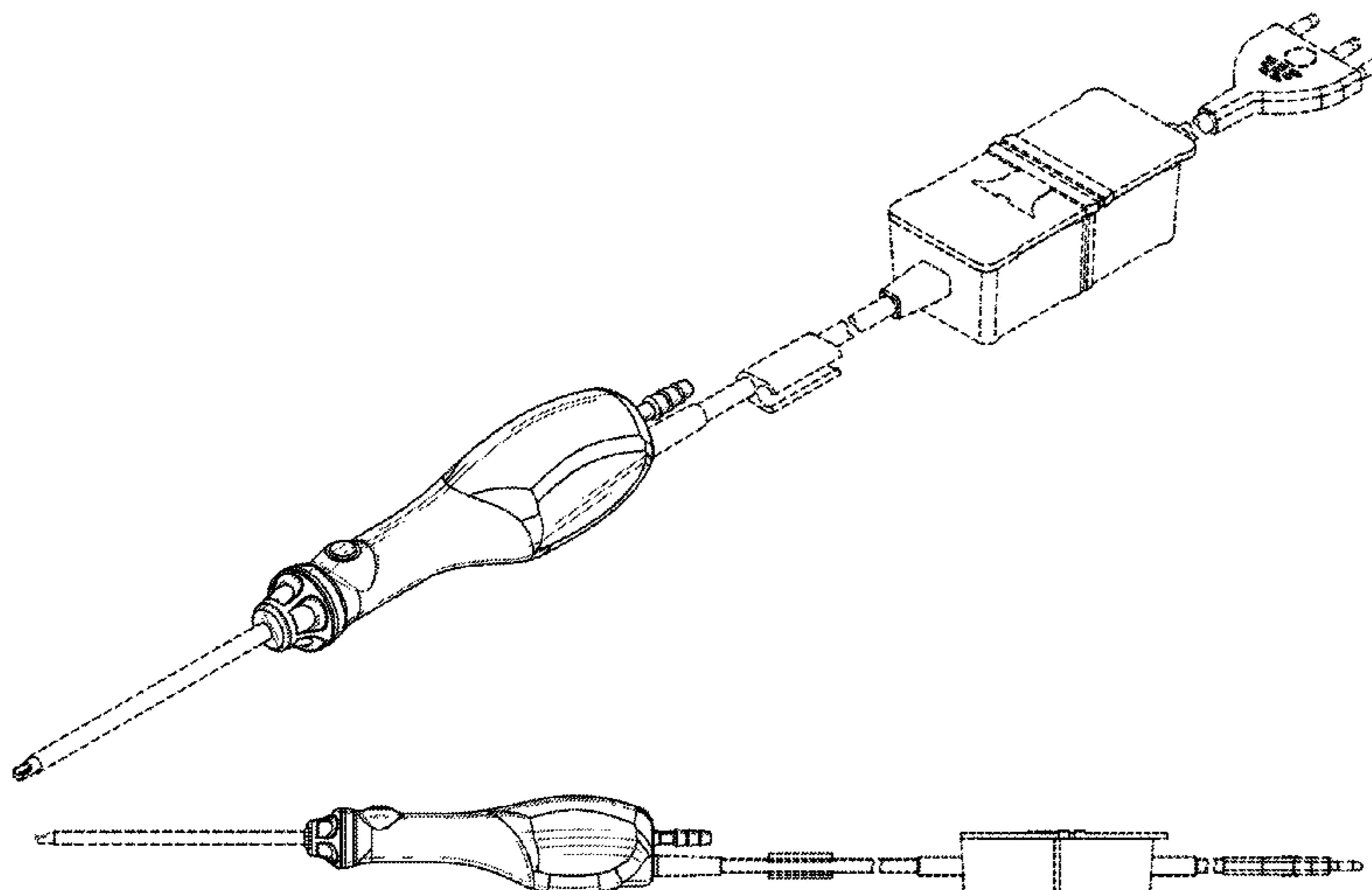
(57) **CLAIM**

The ornamental design for a microdebrider, as shown and described.

DESCRIPTION

FIG. 1 is a perspective view of the device;
 FIG. 2 is a front elevational view of the device;
 FIG. 3 is a back elevational view of the device;
 FIG. 4 is a top view of the device;
 FIG. 5 is a bottom view of the device; and,
 FIG. 6 is a side elevational view of the device, the other side being a mirror image.
 In the drawings, the broken lines depict environmental subject matter and form no part of the claimed design.

1 Claim, 2 Drawing Sheets



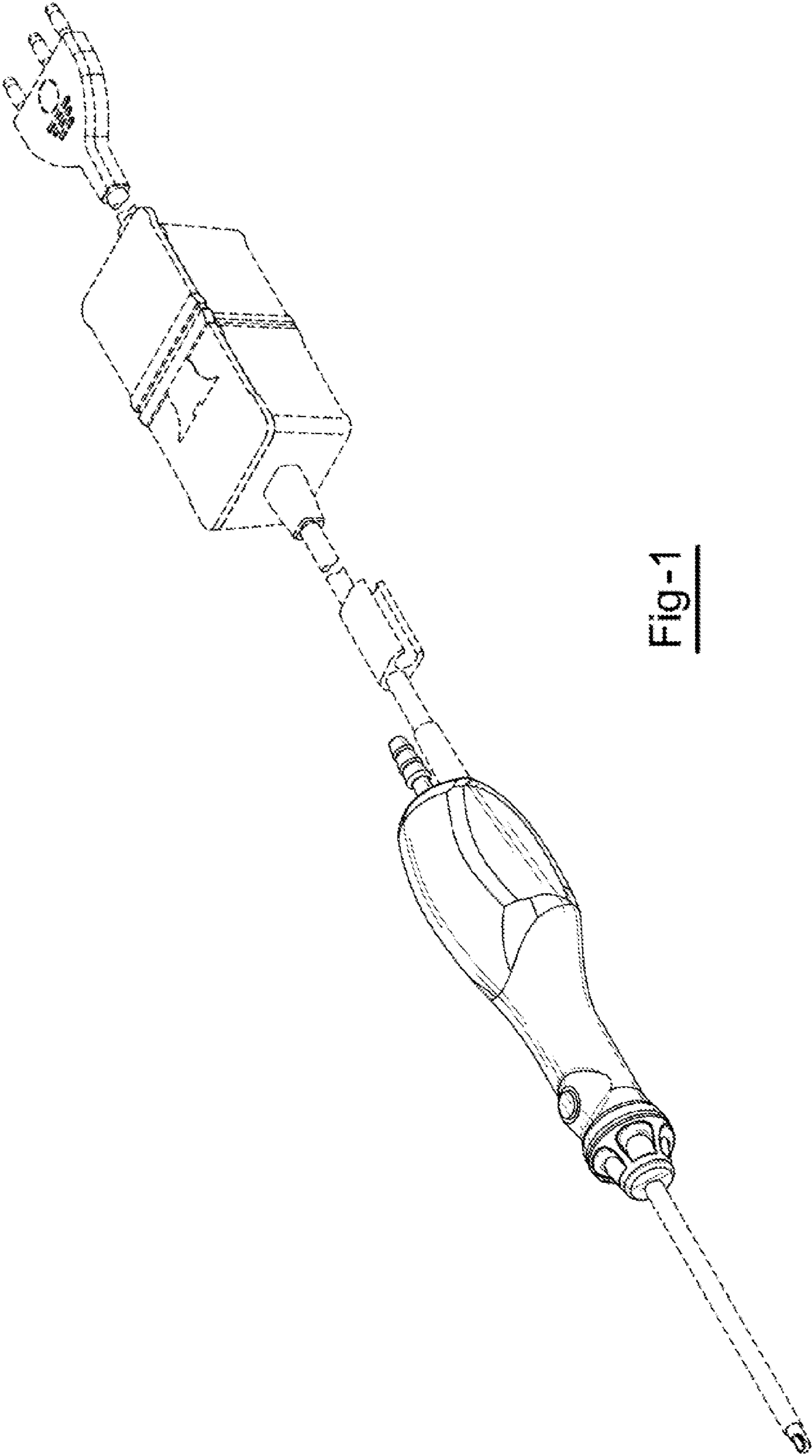


Fig-1

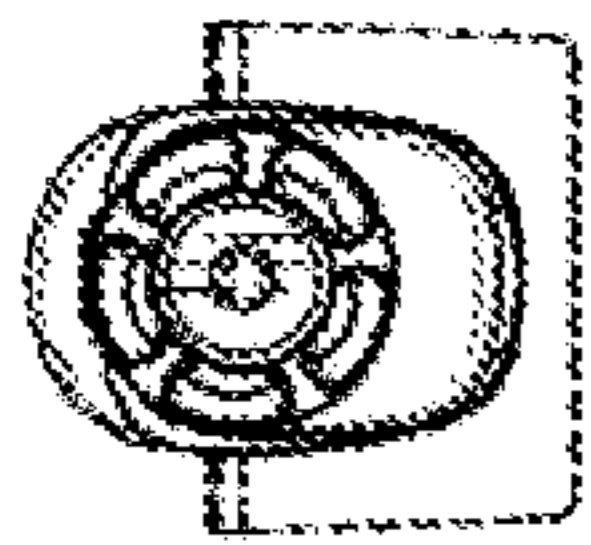


Fig-2

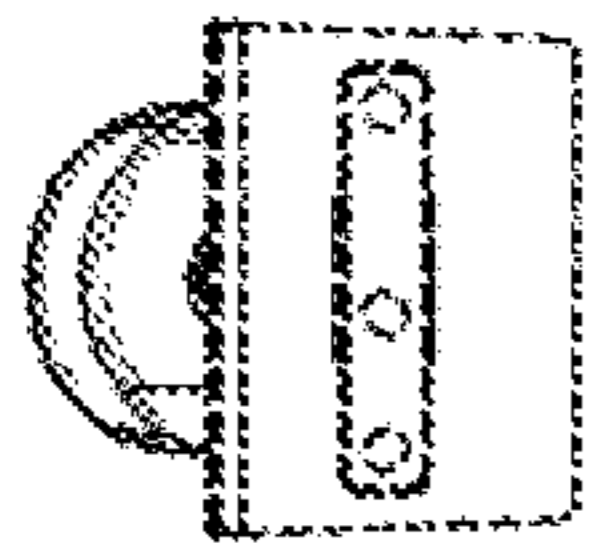


Fig-3

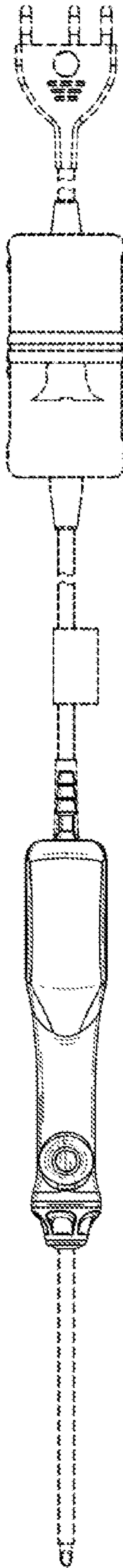


Fig-4

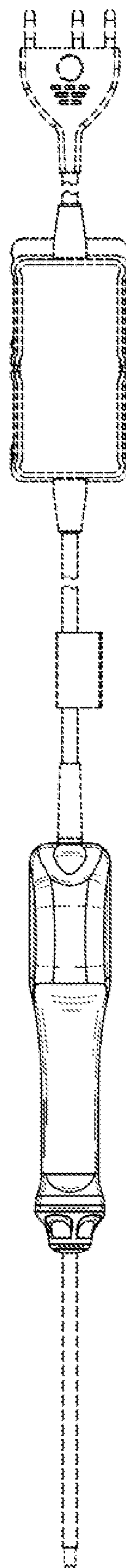


Fig-5

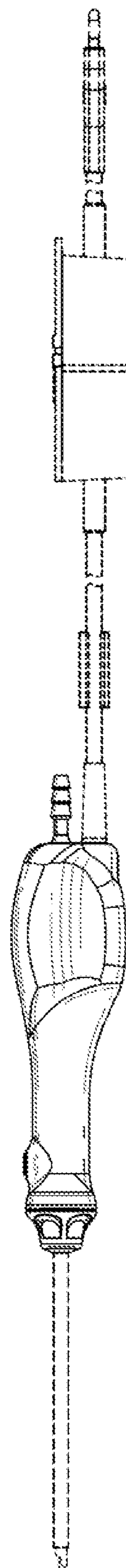


Fig-6