

US00D691717S

(12) **United States Design Patent**  
**McLean et al.**

(10) **Patent No.:** **US D691,717 S**

(45) **Date of Patent:** **\*\* Oct. 15, 2013**

(54) **VALVE TEE FOR PATIENT BREATH ANALYZER**

(75) Inventors: **Bruce S. McLean**, Sandy, UT (US);  
**Joseph Orr**, Park City, UT (US); **Mark Muszynski**, West Valley City, UT (US)

(73) Assignee: **Korr Medical Technologies, Inc.**, Salt Lake City, UT (US)

(\*\*) Term: **14 Years**

(21) Appl. No.: **29/401,540**

(22) Filed: **Sep. 12, 2011**

(51) **LOC (9) Cl.** ..... **29-02**

(52) **U.S. Cl.**  
USPC ..... **D24/129; D24/110.6**

(58) **Field of Classification Search**  
USPC ..... **D24/110.1-110, 129; D23/262, 263; 604/23-33**

See application file for complete search history.

(56) **References Cited**

**U.S. PATENT DOCUMENTS**

D233,845	S	*	12/1974	Fettel et al.	.....	D24/129
D329,495	S	*	9/1992	Kotake	.....	D24/129
5,181,508	A	*	1/1993	Poole, Jr.	.....	128/203.12
D357,307	S	*	4/1995	Ramacier et al.	.....	D23/262
7,147,252	B2	*	12/2006	Teuscher et al.	.....	285/280
D536,091	S	*	1/2007	Biener et al.	.....	D24/110.1

D556,899	S	*	12/2007	Veliss et al.	.....	D24/110.1
D577,117	S	*	9/2008	Biener et al.	.....	D24/110.1
D633,206	S	*	2/2011	M rner	.....	D24/155
D637,283	S	*	5/2011	Selvarajan et al.	.....	D24/110.1
D638,931	S	*	5/2011	Graham et al.	.....	D24/127
D645,961	S	*	9/2011	Biener et al.	.....	D24/129
D652,913	S	*	1/2012	Selvarajan et al.	.....	D24/110.1
D672,459	S	*	12/2012	Miller	.....	D24/129
D681,191	S	*	4/2013	Shick et al.	.....	D24/110.1
2008/0277929	A1	*	11/2008	Bucher et al.	.....	285/317
2009/0282896	A1	*	11/2009	Tappehorn et al.	.....	73/23.3

\* cited by examiner

*Primary Examiner* — Richard E Chilcot

(74) *Attorney, Agent, or Firm* — Bateman IP

(57) **CLAIM**

We claim the ornamental design for a valve tee for a patient breath analyzer, as shown and described.

**DESCRIPTION**

FIG. 1 shows a lower perspective view of the valve tee of the present invention;

FIG. 2 shows an upper perspective view of the valve tee of FIG. 1;

FIG. 3 shows a right side view of the valve tee of FIG. 1;

FIG. 4 shows a left side view of the valve tee of FIG. 1;

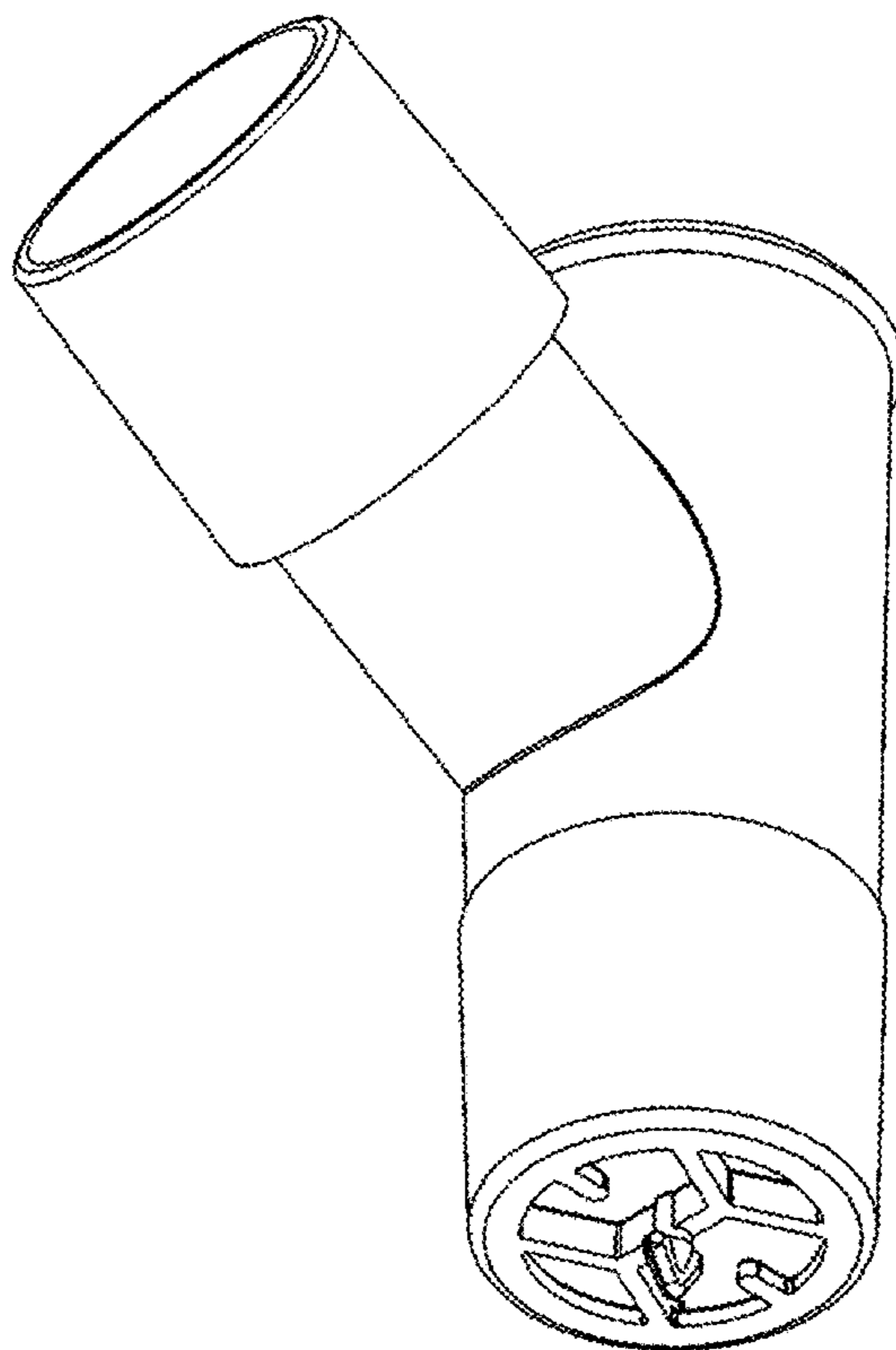
FIG. 5 shows a front view of the valve tee of FIG. 1;

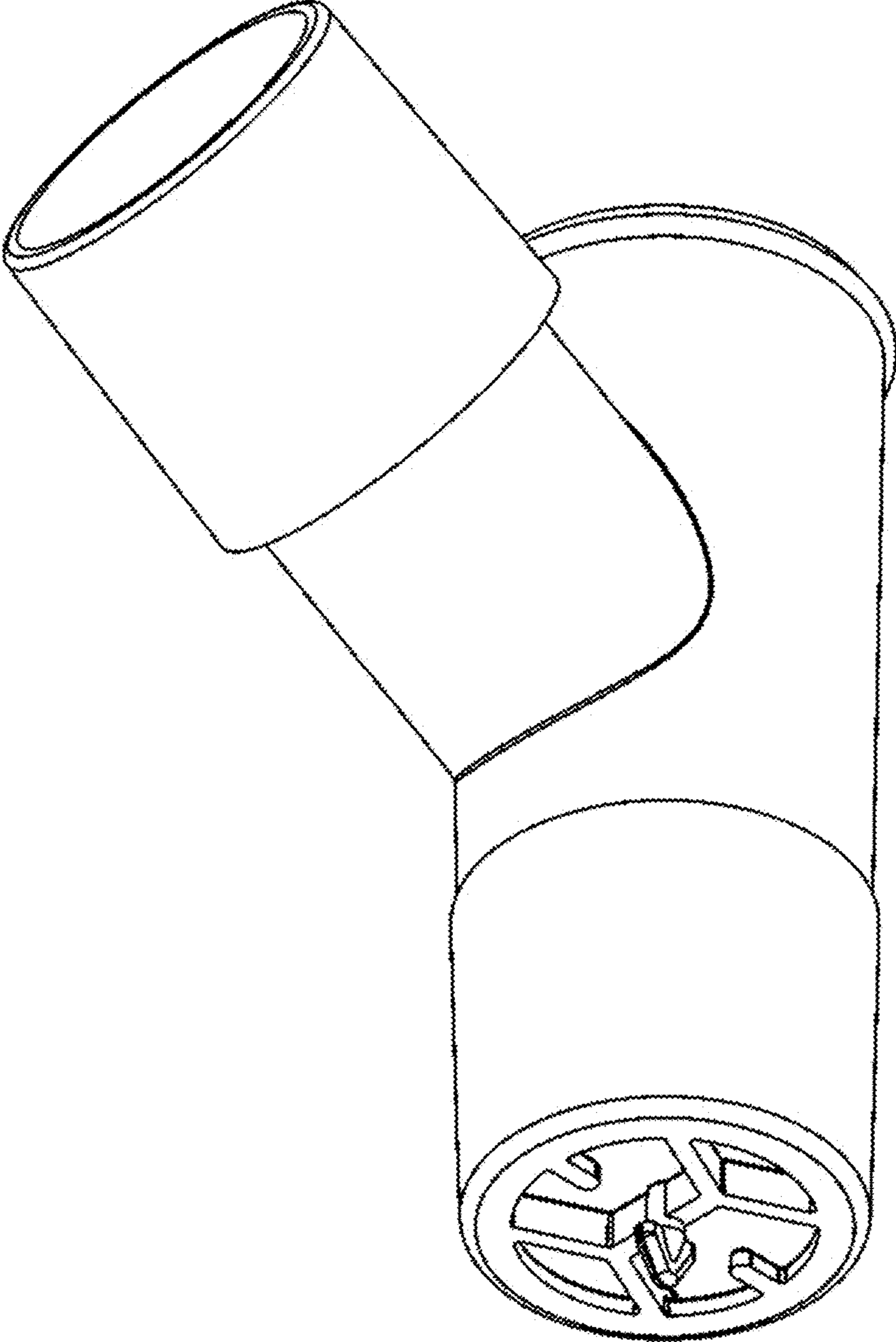
FIG. 6 shows a back view of the valve tee of FIG. 1;

FIG. 7 shows a top view of the valve tee of FIG. 1; and,

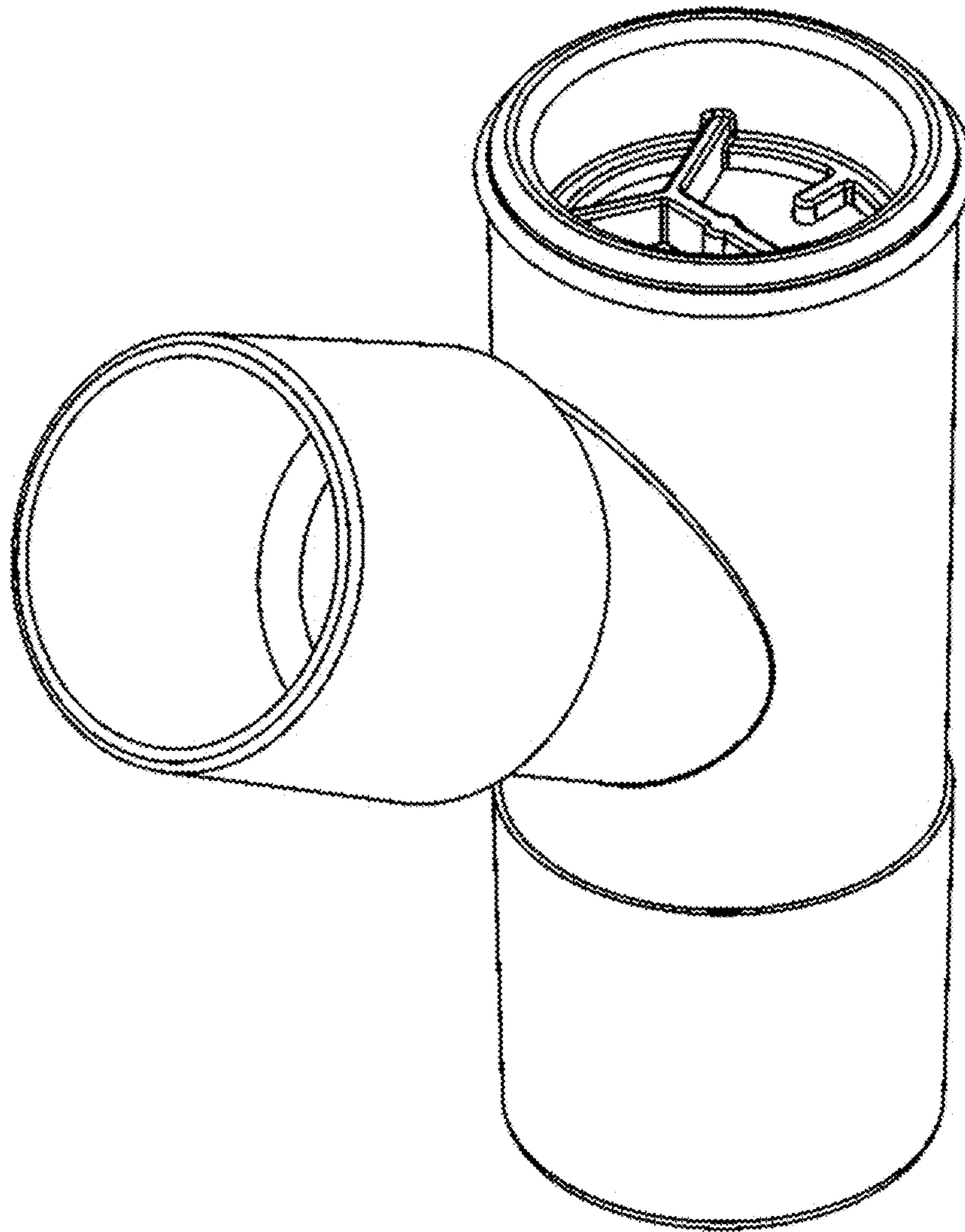
FIG. 8 shows a bottom view of the valve tee of FIG. 1.

**1 Claim, 8 Drawing Sheets**

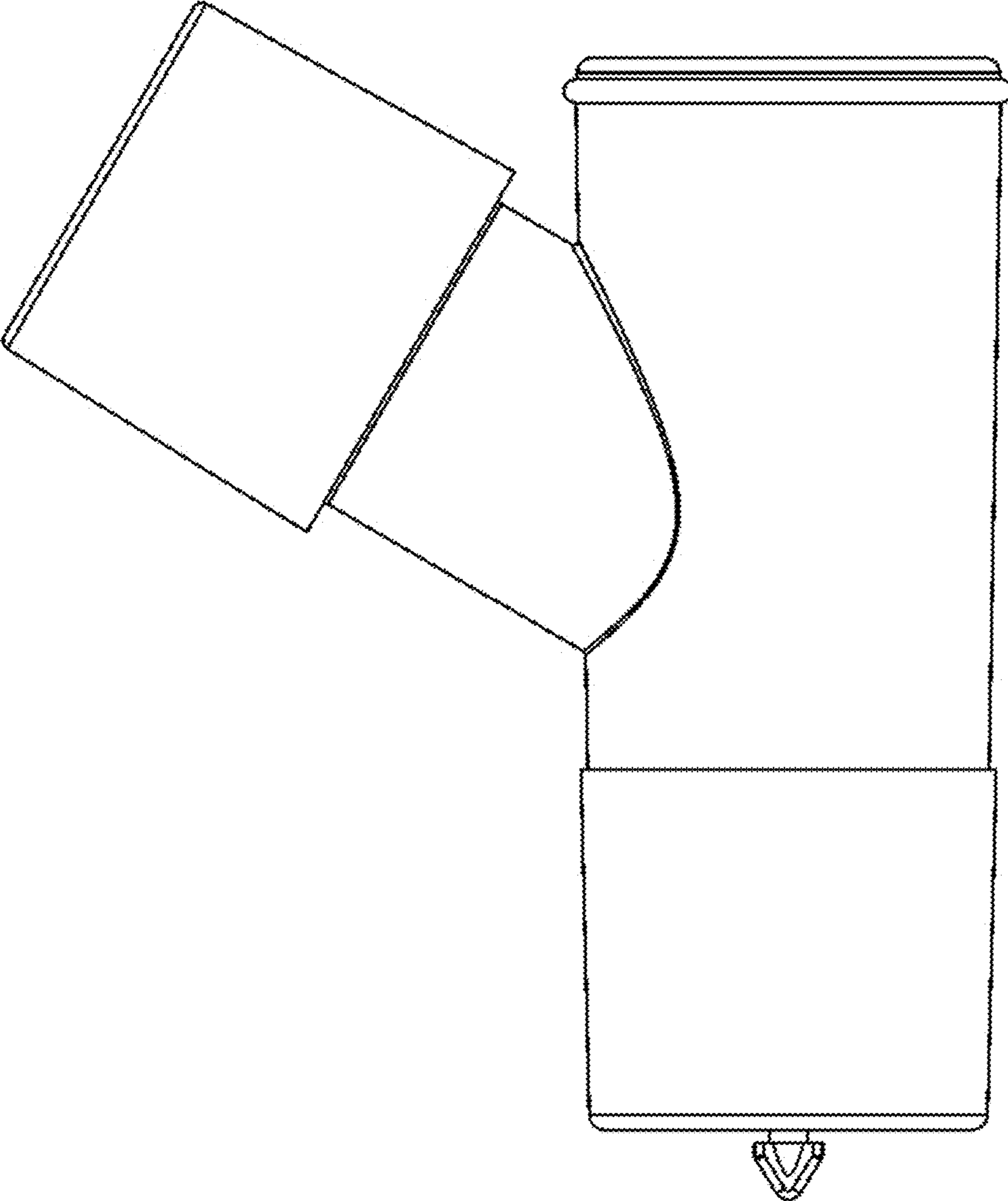




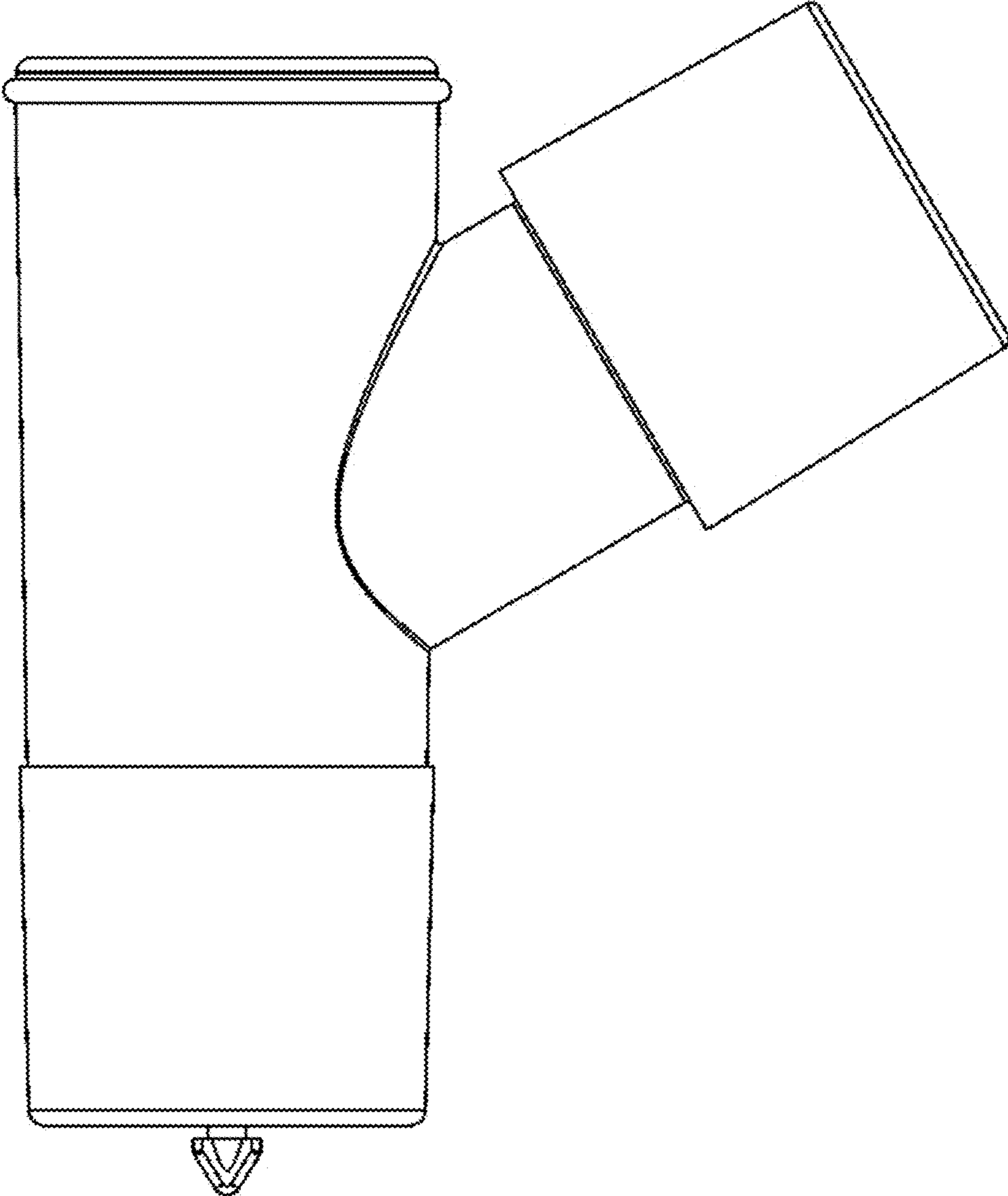
**FIG. 1**



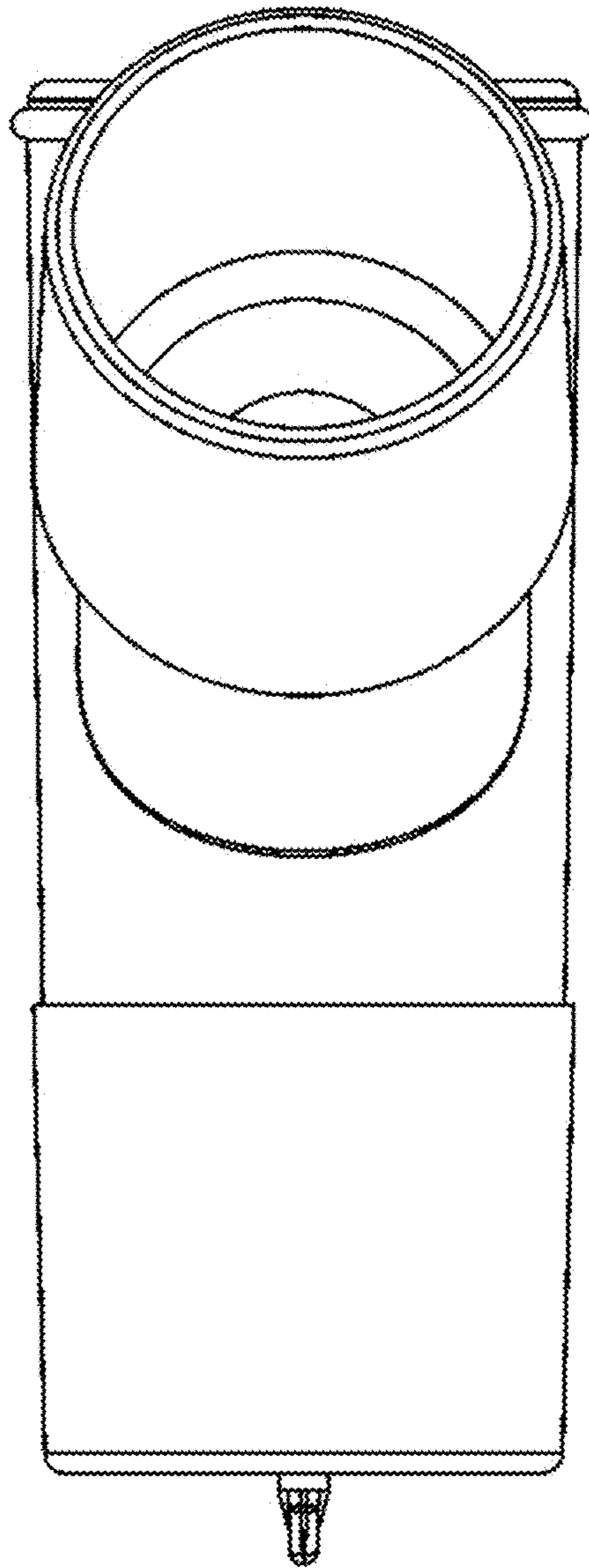
**FIG. 2**



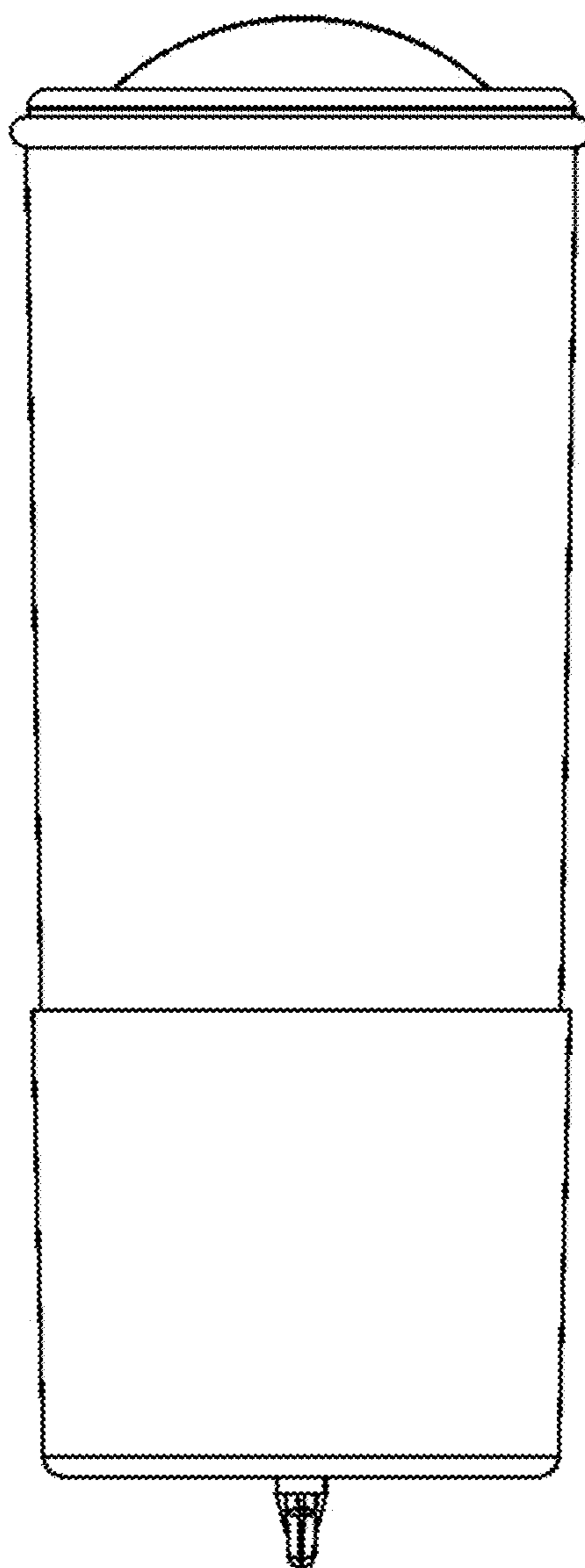
**FIG. 3**



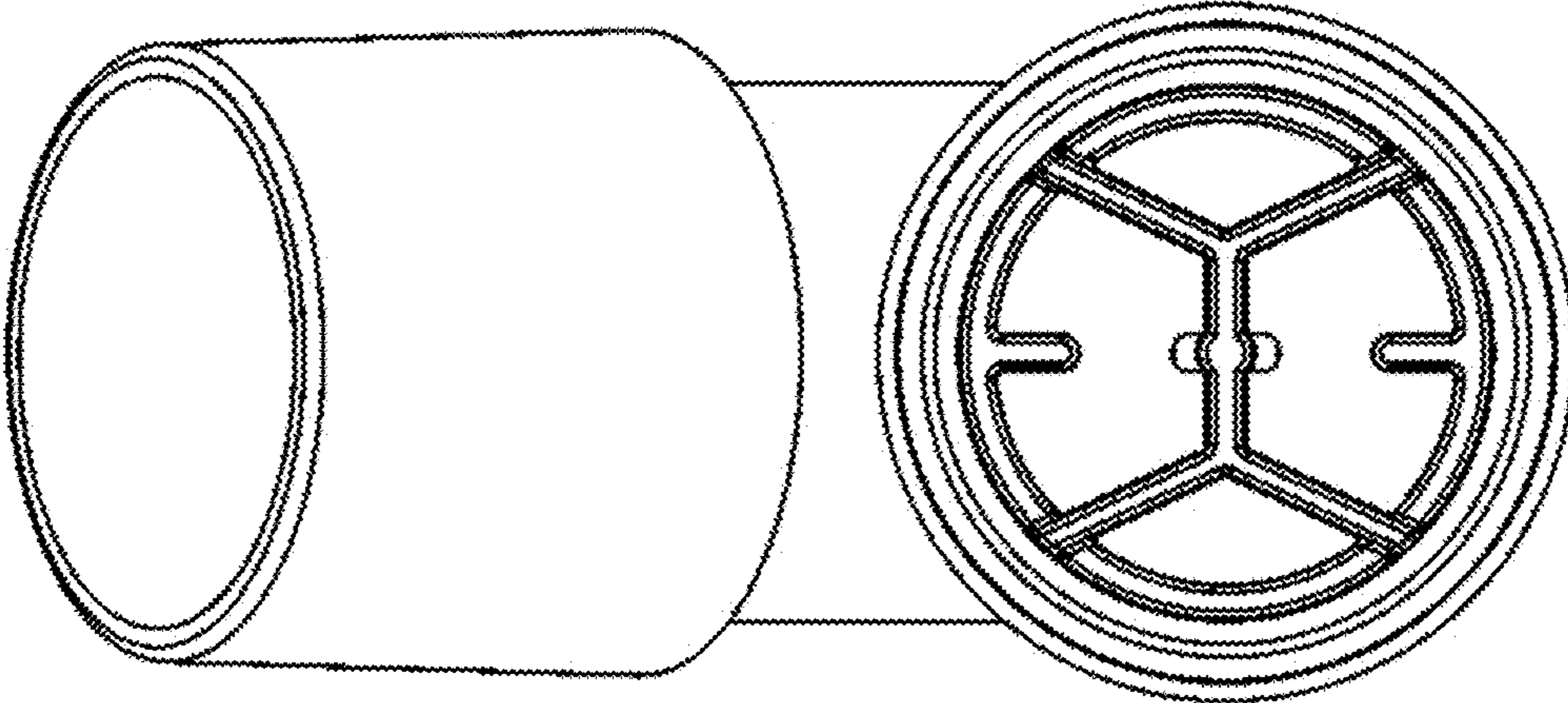
**FIG. 4**



**FIG. 5**

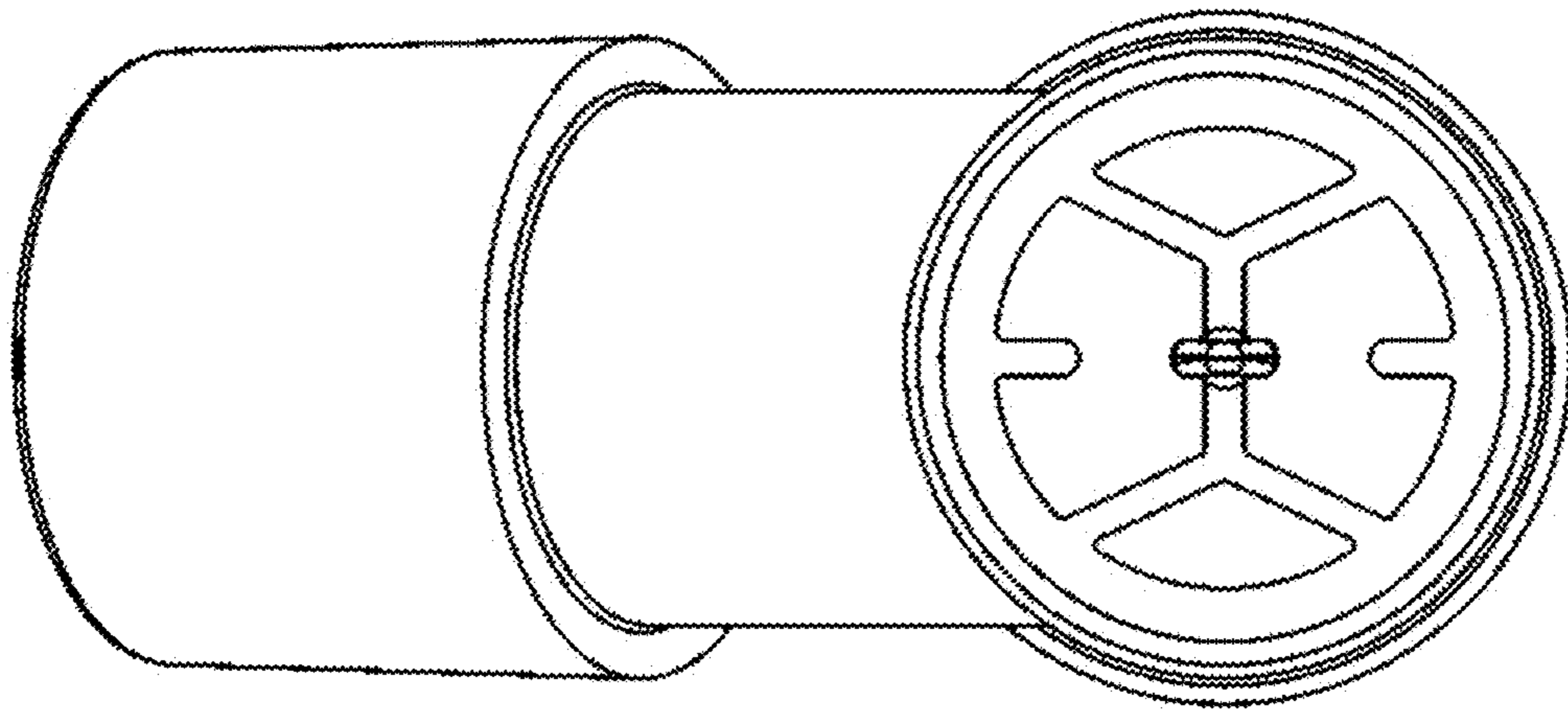


**FIG. 6**



**FIG. 7**





**FIG. 8**