



US00D691714S

(12) **United States Design Patent**
Ng et al.

(10) **Patent No.:** **US D691,714 S**
(45) **Date of Patent:** **** Oct. 15, 2013**

(54) **ADJUSTABLE FOREHEAD SUPPORT DIAL FOR RESPIRATORY MASK**

- (71) Applicant: **ResMed Limited**, Bella Vista (AU)
- (72) Inventors: **Eva Ng**, Erskineville (AU); **Vincent Chu**, Middle Park (AU); **Mark Bertinetti**, Ermington (AU); **Scott Alexander Howard**, Frenchs Forest (AU); **Murray William Lee**, Quakers Hill (AU); **Philip Thomas Stallard**, Denistone East (AU); **Joshua Adam Gudiksen**, Mortdale (AU); **Susan Robyn Lynch**, Bella Vista (AU)
- (73) Assignee: **ResMed Limited**, Bella Vista (AU)
- (**) Term: **14 Years**
- (21) Appl. No.: **29/444,187**
- (22) Filed: **Jan. 28, 2013**

Related U.S. Application Data

- (63) Continuation of application No. 29/347,600, filed on Mar. 11, 2010, now Pat. No. Des. 677,778, which is a continuation of application No. 29/311,764, filed on Jun. 15, 2009, now Pat. No. Des. 613,853, which is a continuation of application No. 29/268,827, filed on Nov. 14, 2006, now Pat. No. Des. 596,739.
- (51) **LOC (9) Cl.** **29-02**
- (52) **U.S. Cl.**
USPC **D24/110.1**
- (58) **Field of Classification Search**
USPC D24/110.1, 110.4, 110.5; 128/205.25, 128/206.21, 206.26, 206.27, 207.11, 207.13, 128/207.15; D9/439, 440, 503, 544; 215/307, 215/296

See application file for complete search history.

(56) **References Cited**

U.S. PATENT DOCUMENTS

1,109,318 A	9/1914	Browne et al.	
1,750,257 A *	3/1930	Bonnell	285/154.3
D121,069 S	6/1940	Hansen	
2,676,724 A *	4/1954	Potter	215/307

(Continued)

OTHER PUBLICATIONS

Ng et al., Parent U.S. Appl. No. 29/347,600, filed Mar. 11, 2010.

Primary Examiner — Rashida Johnson

(74) *Attorney, Agent, or Firm* — Nixon & Vanderhye, P.C.

(57) **CLAIM**

The ornamental design for an adjustable forehead support dial for respiratory mask, as shown and described.

DESCRIPTION

FIG. 1 is a front perspective view of an adjustable forehead support dial for respiratory mask showing a first embodiment of our new design;

FIG. 2 is a reverse perspective view thereof;

FIG. 3 is a front view thereof;

FIG. 4 is a rear view thereof;

FIG. 5 is a top view thereof;

FIG. 6 is a left side view thereof;

FIG. 7 is a front perspective view of an adjustable forehead support dial for respiratory mask showing a second embodiment of our new design;

FIG. 8 is a reverse perspective view thereof;

FIG. 9 is a front view thereof;

FIG. 10 is a rear view thereof;

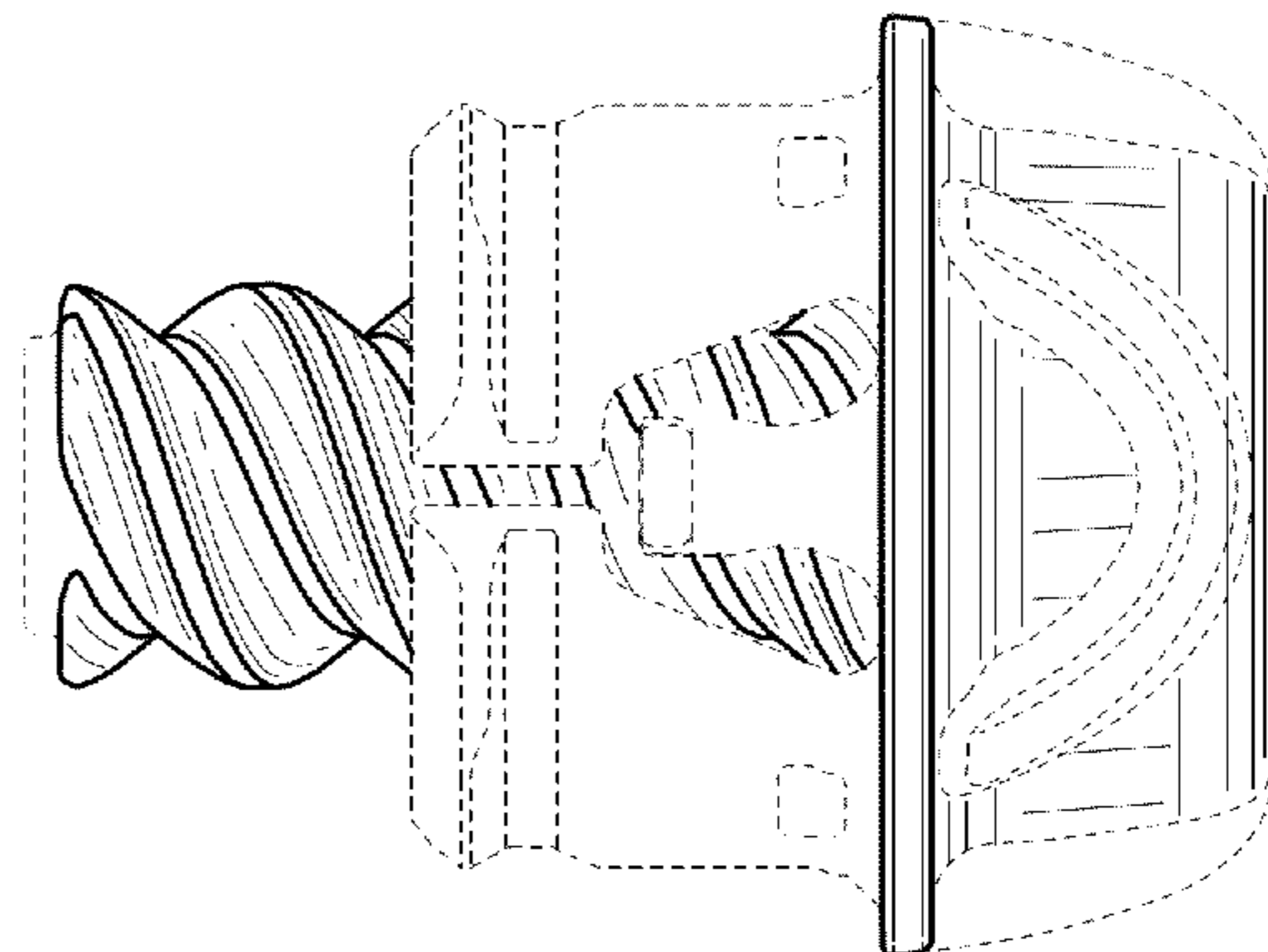
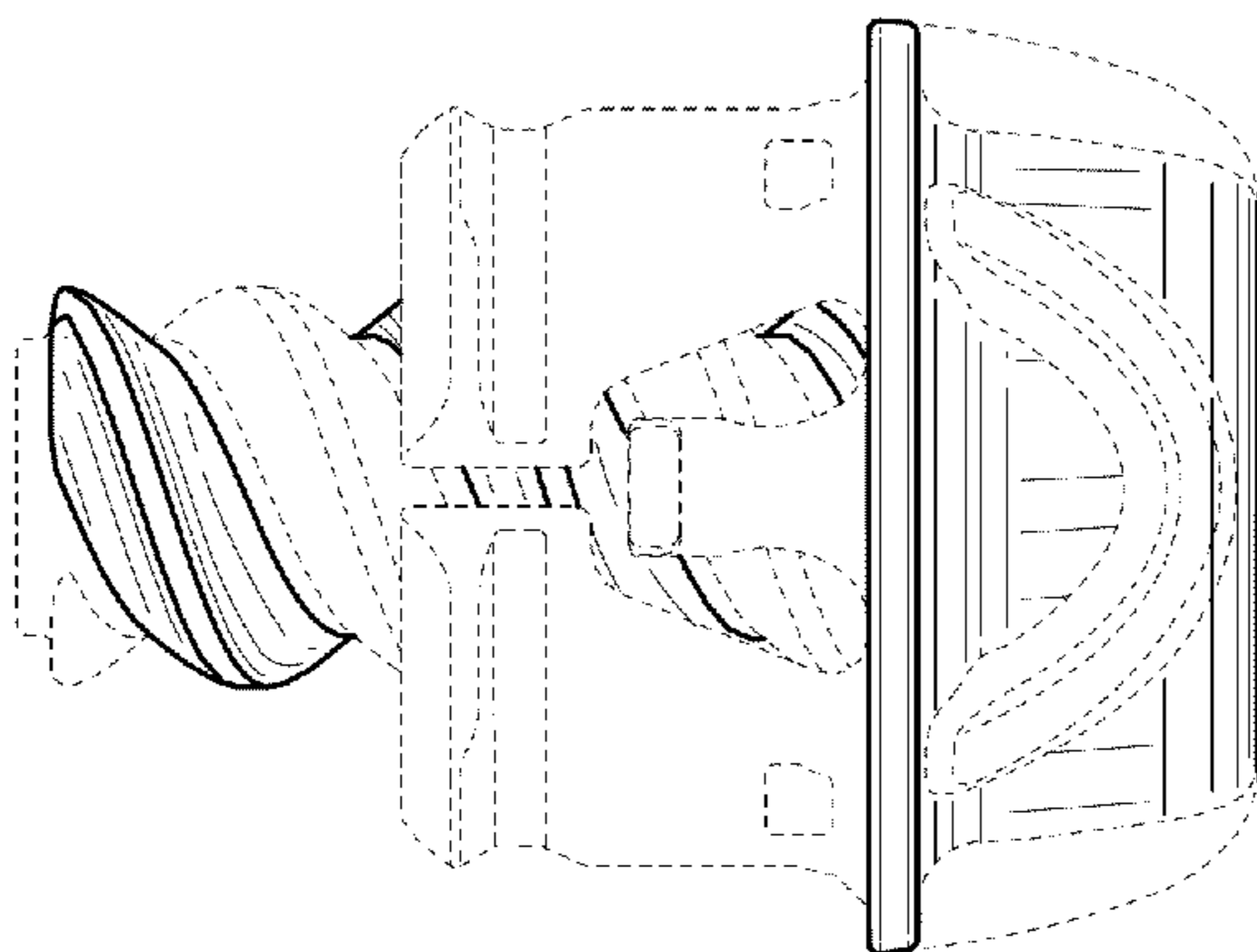
FIG. 11 is a top view thereof; and,

FIG. 12 is a left side view thereof.

The broken lines represent environment or structure of the adjustable forehead support dial for respiratory mask and do not form part of the claimed design.

The dotted lines represent the border between claimed and unclaimed subject matter and form no part of the claimed design.

1 Claim, 4 Drawing Sheets



(56)

References Cited

U.S. PATENT DOCUMENTS

D188,471 S * 7/1960 Terwilliger D9/439
 3,234,939 A 2/1966 Morton, Jr.
 3,774,796 A * 11/1973 Arnold 215/296
 4,182,458 A 1/1980 Meckler
 D259,704 S 6/1981 Castronovo
 D287,938 S 1/1987 Sachs
 4,873,972 A 10/1989 Magidson et al.
 D328,033 S 7/1992 DiGuseppi
 5,240,479 A 8/1993 Bachinski
 D340,316 S * 10/1993 Zdrok D24/110.5
 D375,018 S 10/1996 Goto et al.
 5,803,285 A 9/1998 Hirota
 D471,975 S * 3/2003 Chen-Lieh D24/110.5
 6,532,961 B1 3/2003 Kwok et al.
 D480,640 S 10/2003 Oyama et al.
 D493,221 S 7/2004 Smart
 D493,522 S 7/2004 Fu et al.

D501,138 S 1/2005 Uchiyama
 D515,698 S 2/2006 Lang et al.
 D528,417 S 9/2006 Matsuda et al.
 D543,620 S 5/2007 Chu et al.
 D558,568 S * 1/2008 Ng et al. D8/387
 D562,446 S 2/2008 Chu et al.
 D596,739 S 7/2009 Ng et al.
 D597,661 S 8/2009 Reid et al.
 D613,853 S 4/2010 Ng et al.
 D623,049 S 9/2010 Zeyfang
 D639,657 S * 6/2011 Hoyt et al. D9/439
 D643,288 S 8/2011 Taylor
 D658,478 S * 5/2012 Wall D8/349
 D660,695 S 5/2012 Ishizawa et al.
 D665,494 S * 8/2012 Stallard et al. D24/110.1
 D677,778 S * 3/2013 Ng et al. D24/110.1
 2002/0185134 A1 12/2002 Bishop
 2003/0029456 A1 2/2003 Lambert
 2008/0060648 A1 * 3/2008 Thornton et al. 128/205.25

* cited by examiner

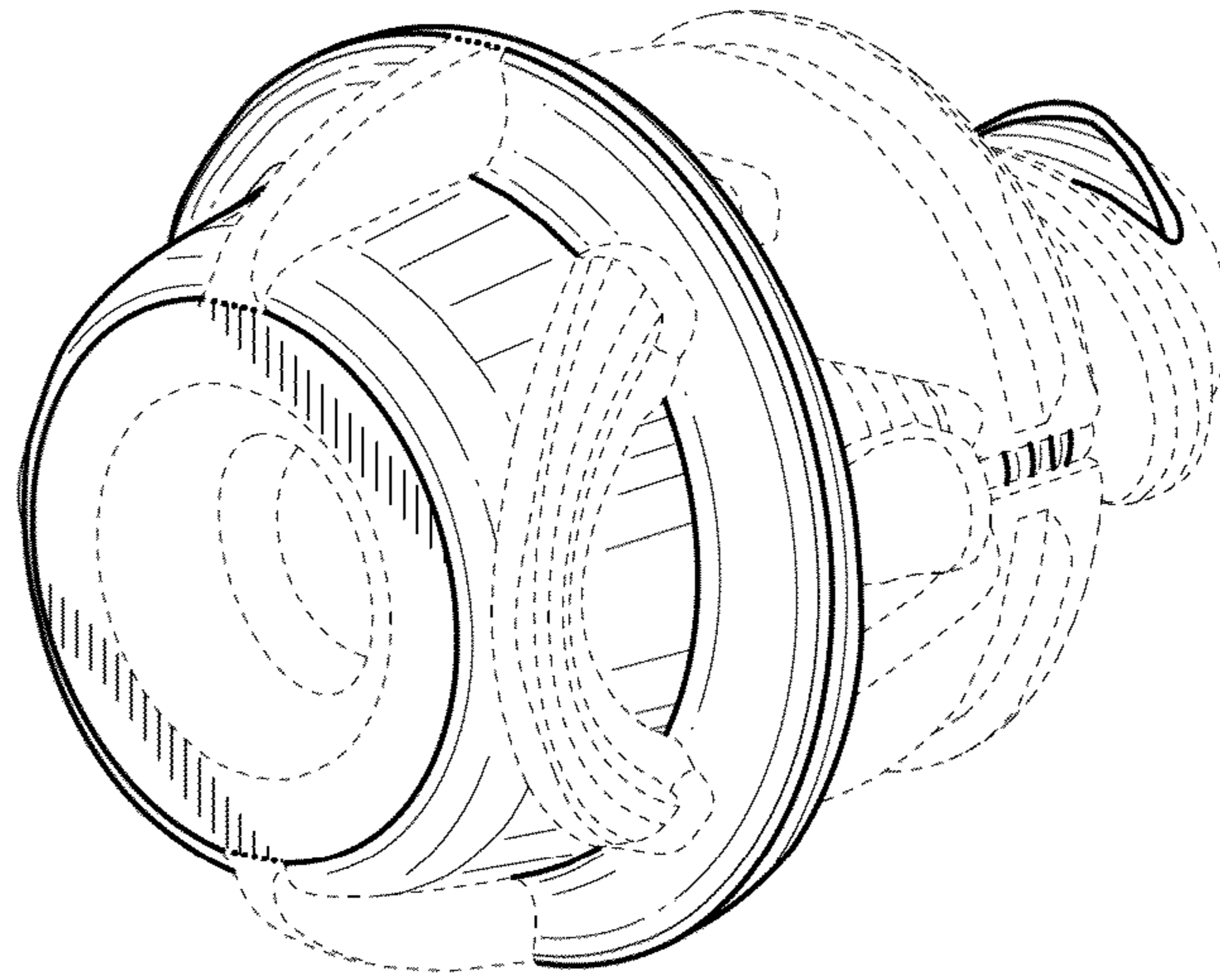


FIG. 1

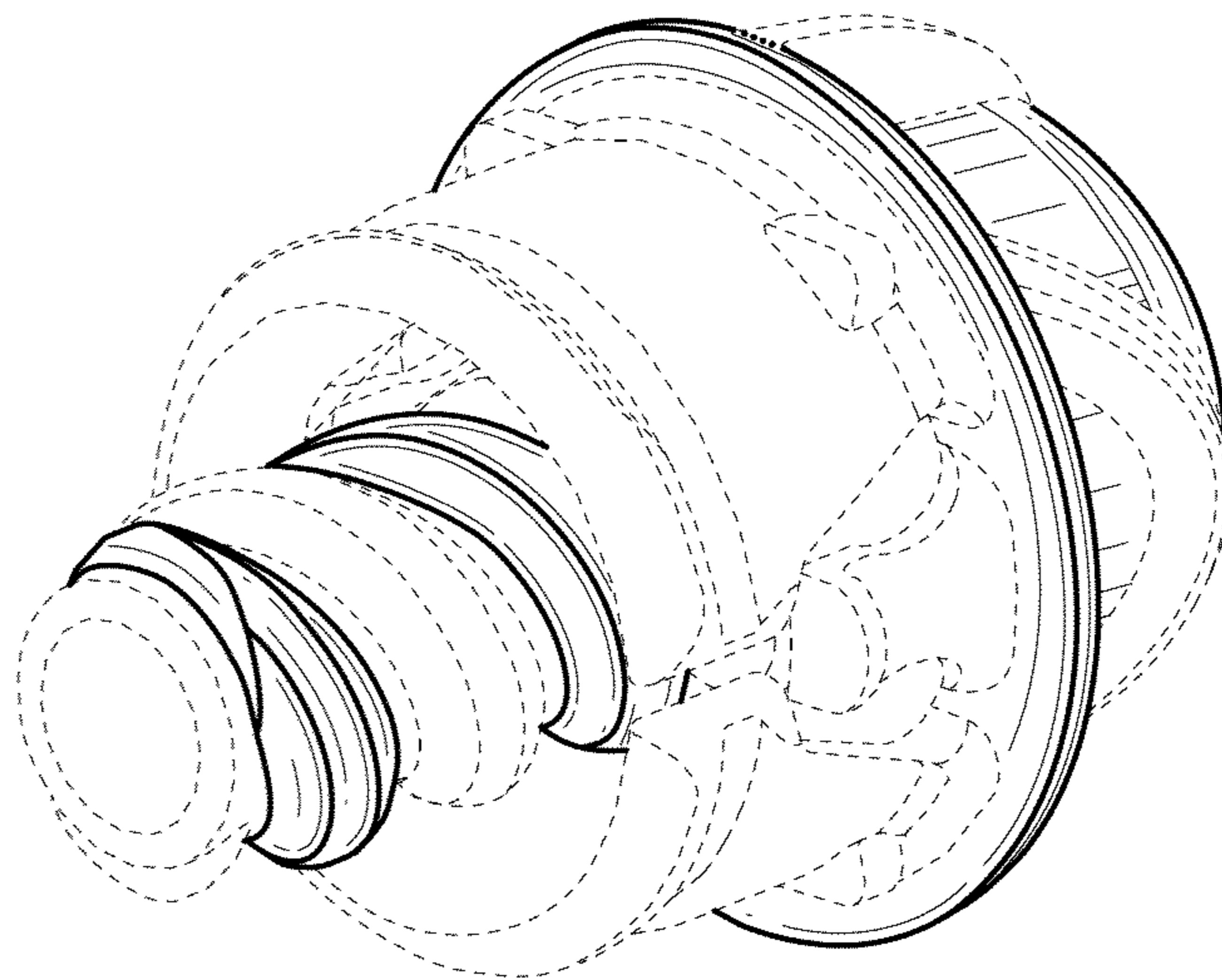


FIG. 2

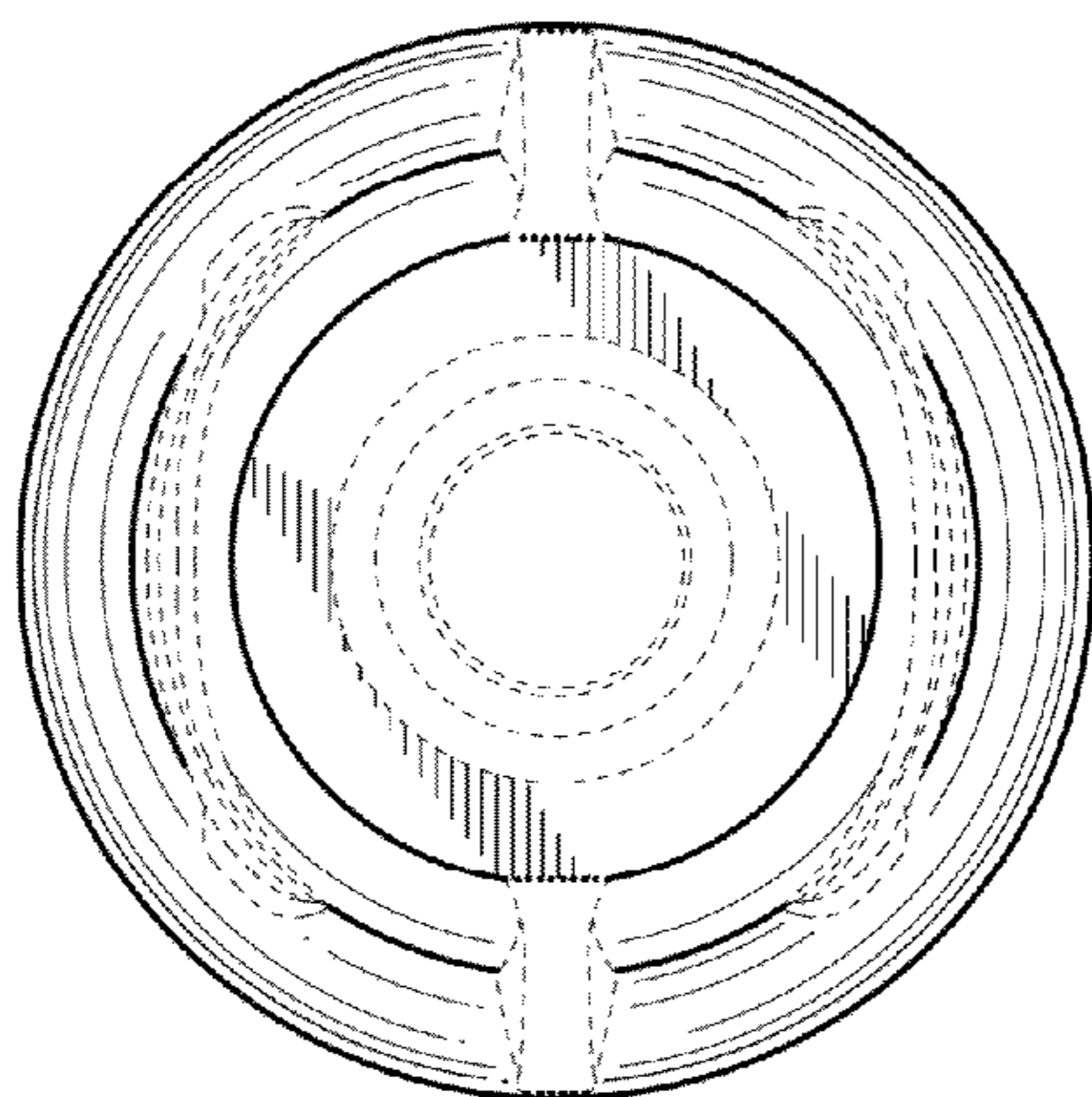


FIG. 3

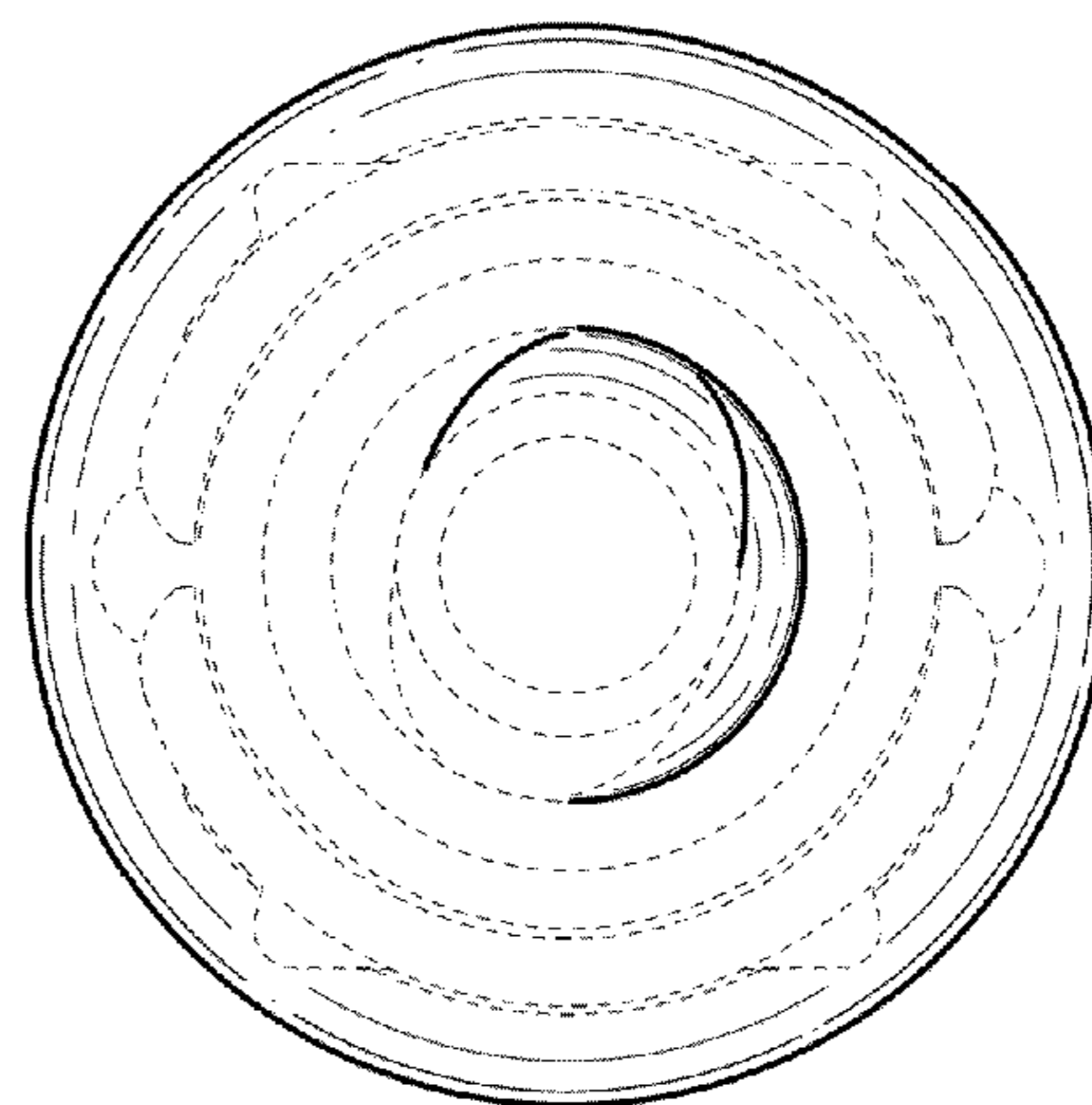


FIG. 4

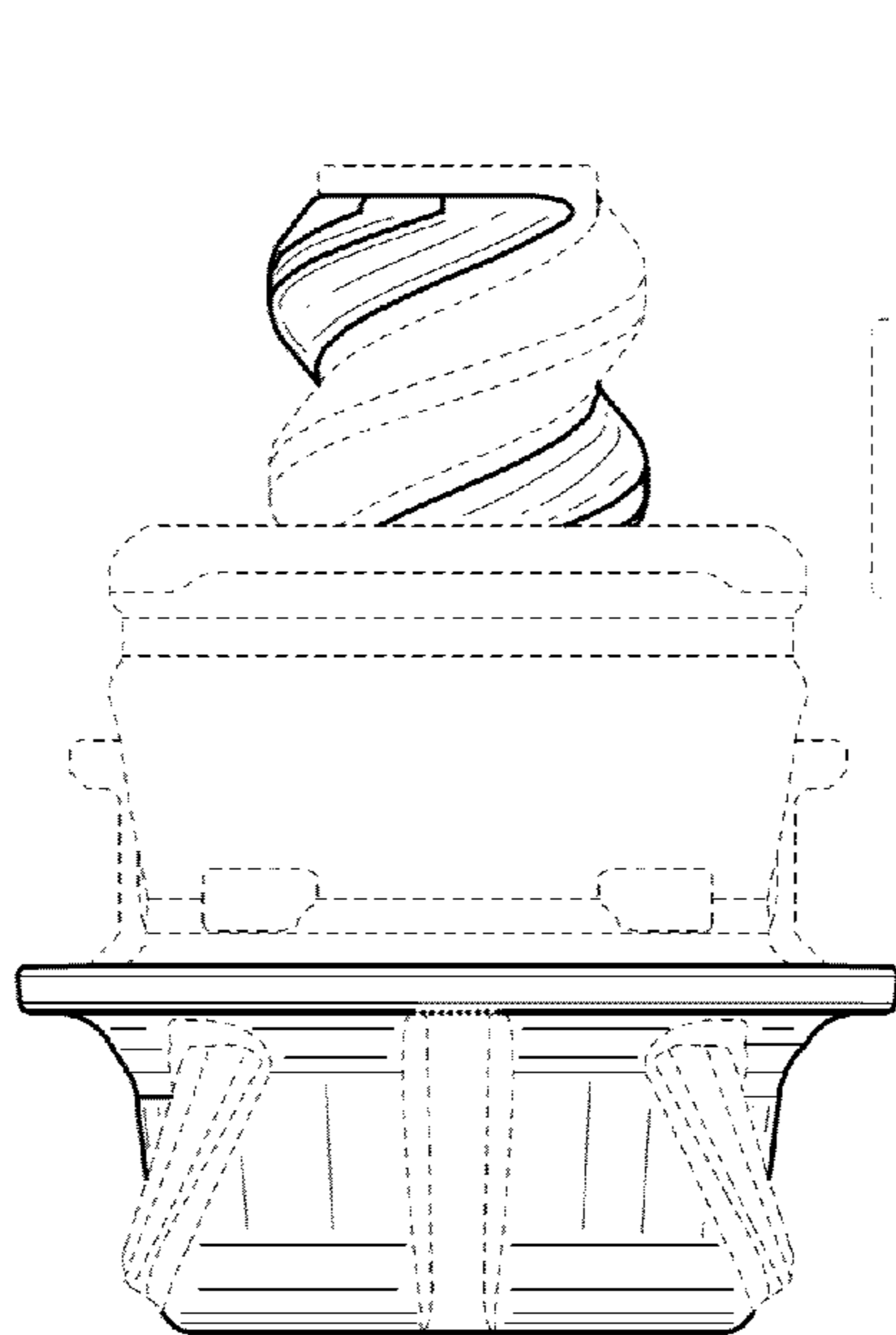


FIG. 5

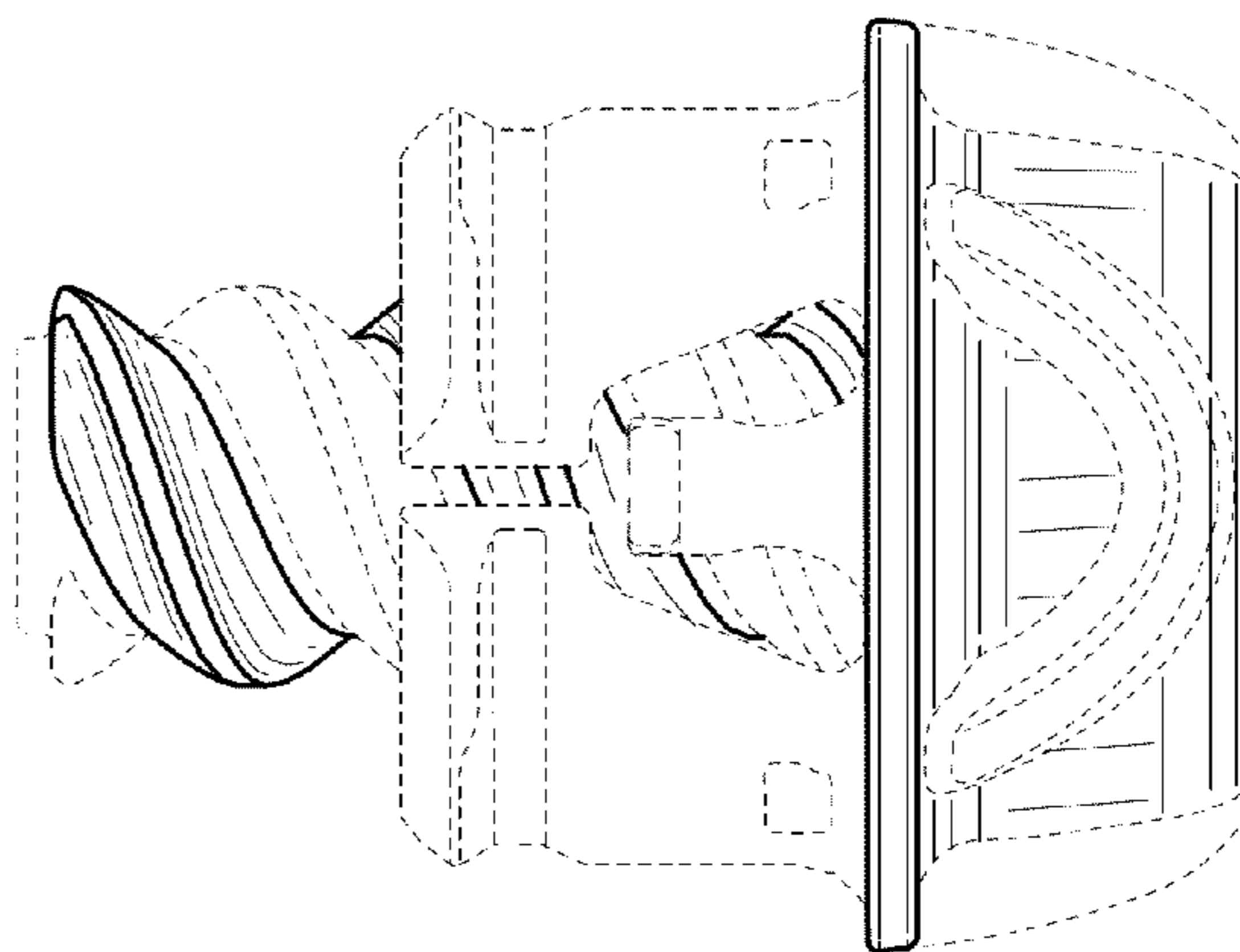


FIG. 6

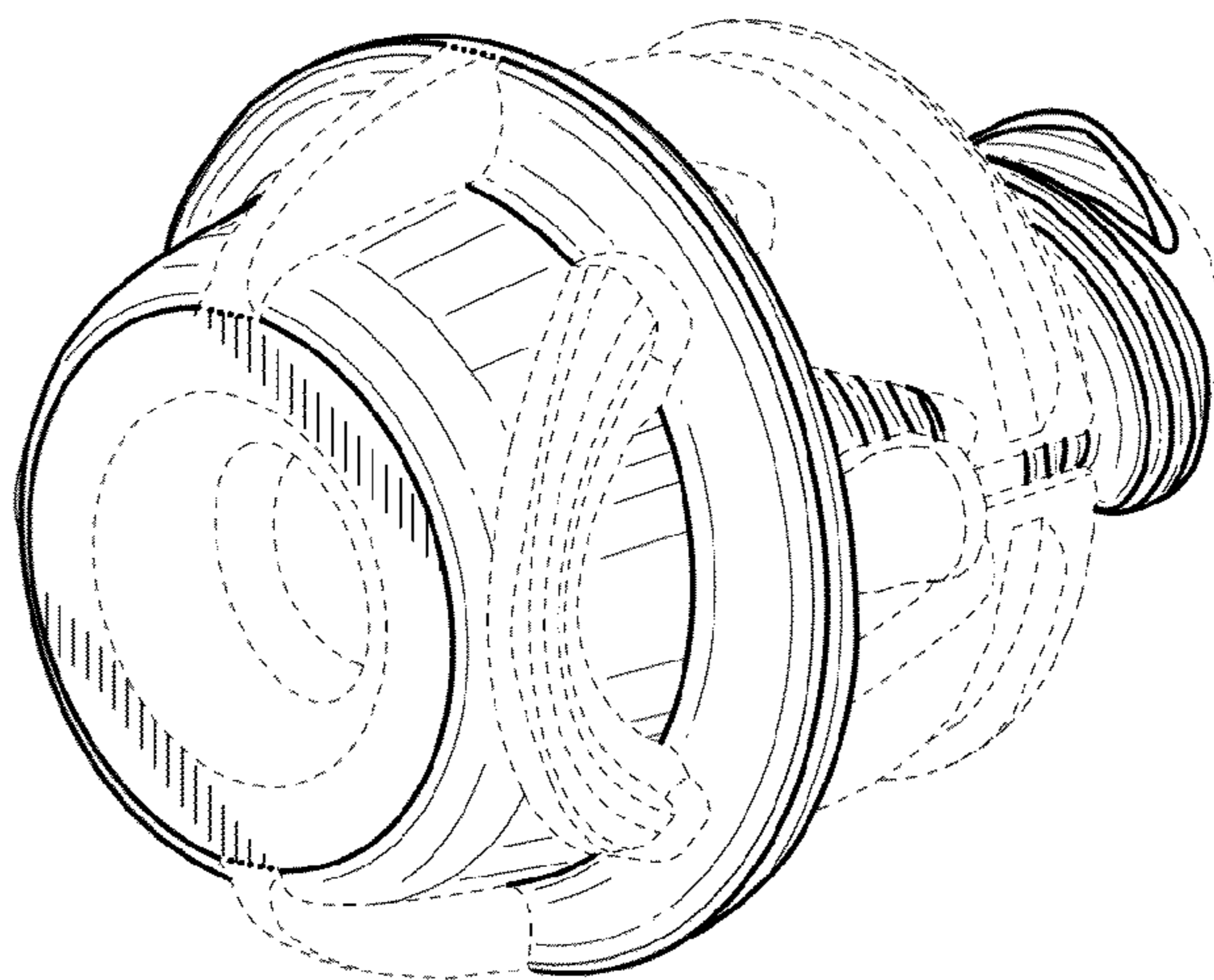


FIG. 7

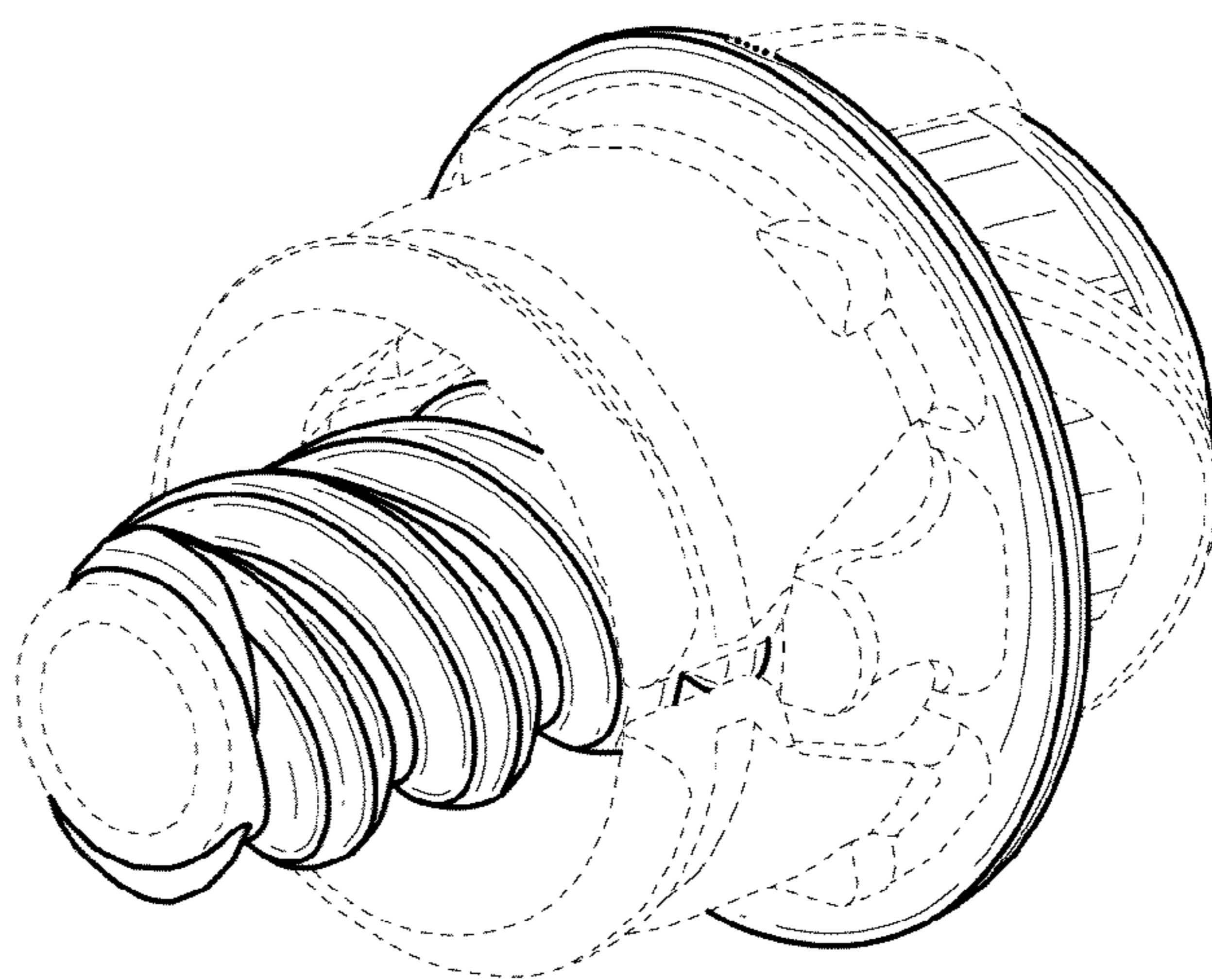


FIG. 8

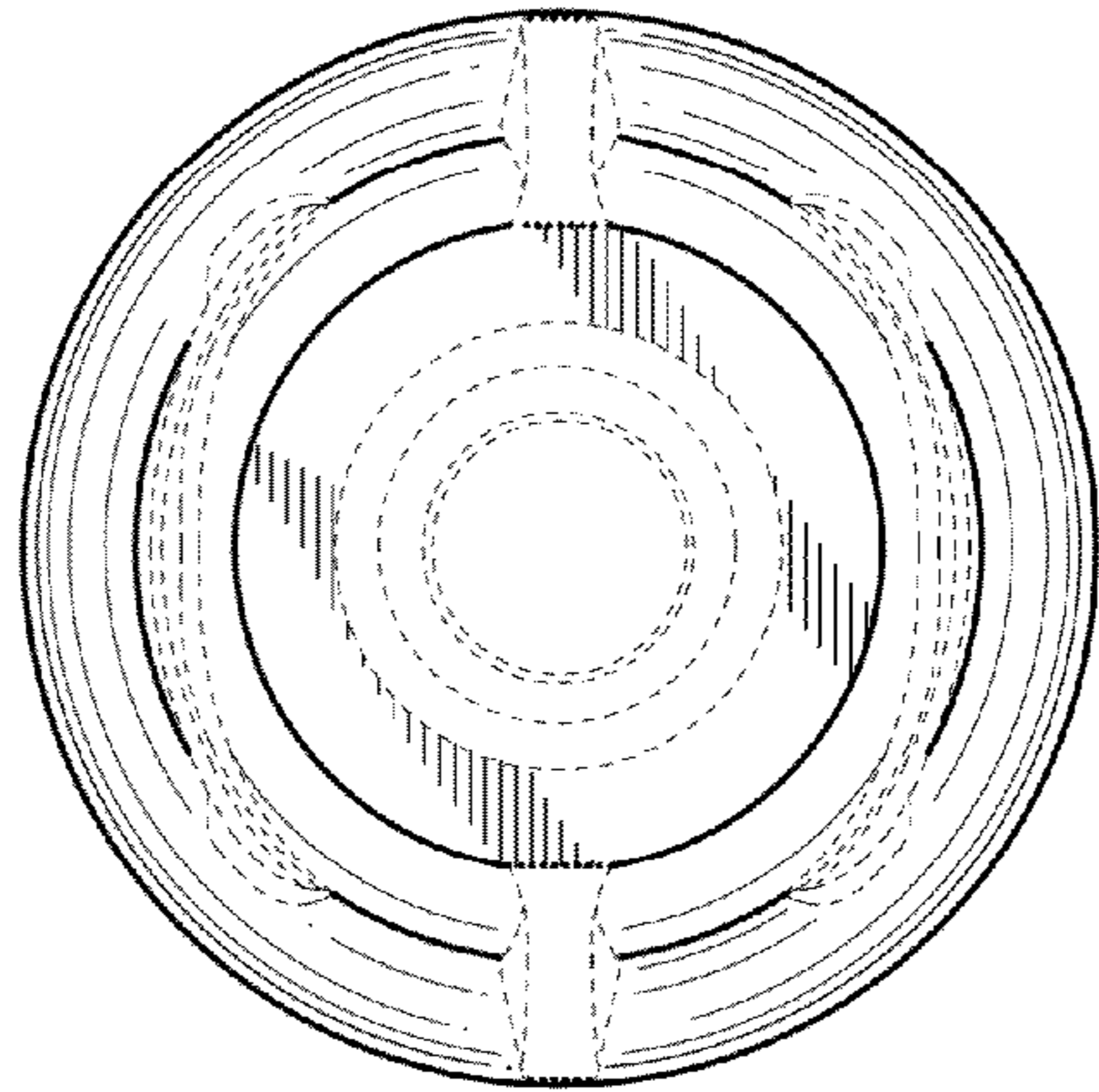


FIG. 9

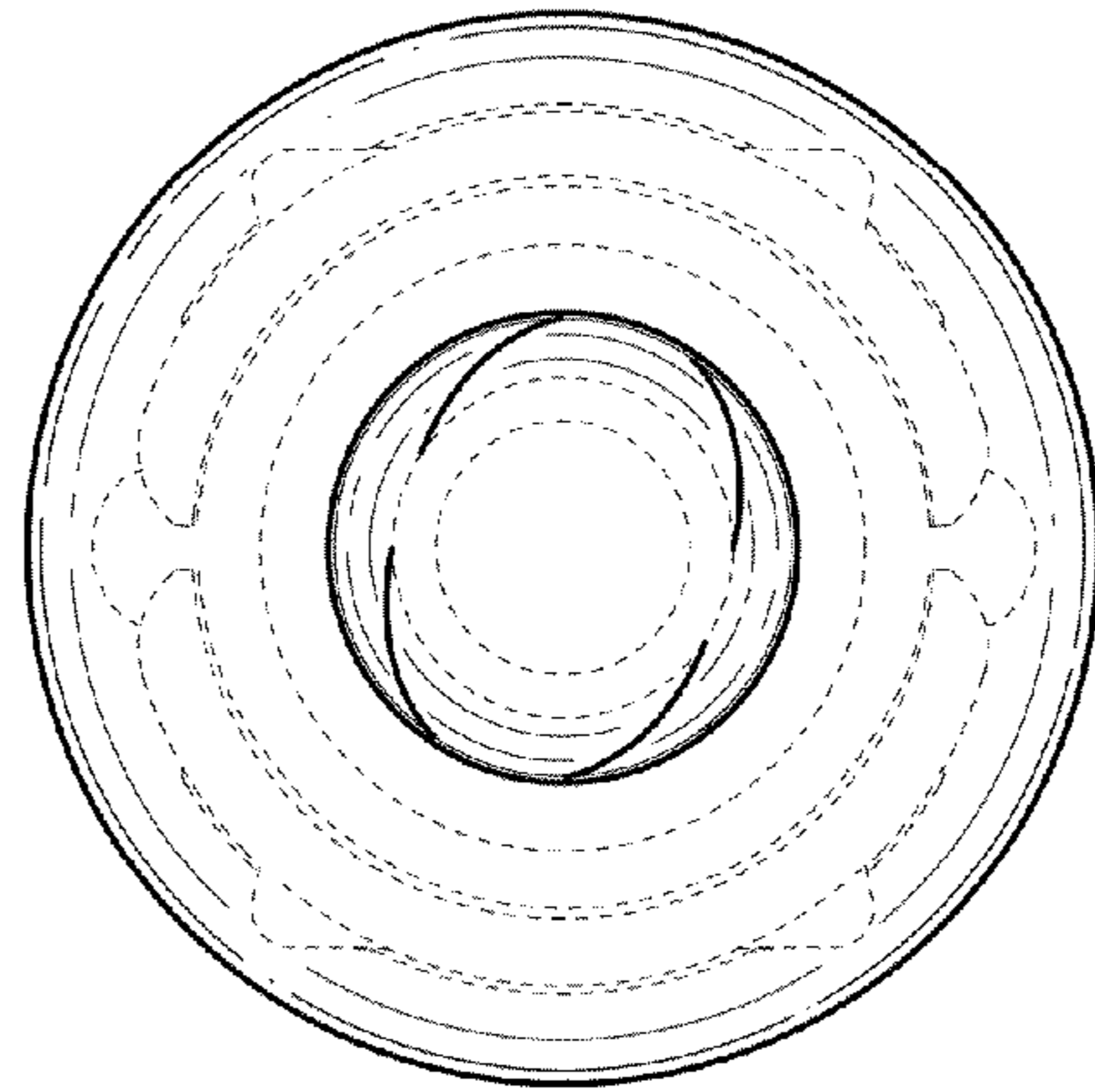


FIG. 10

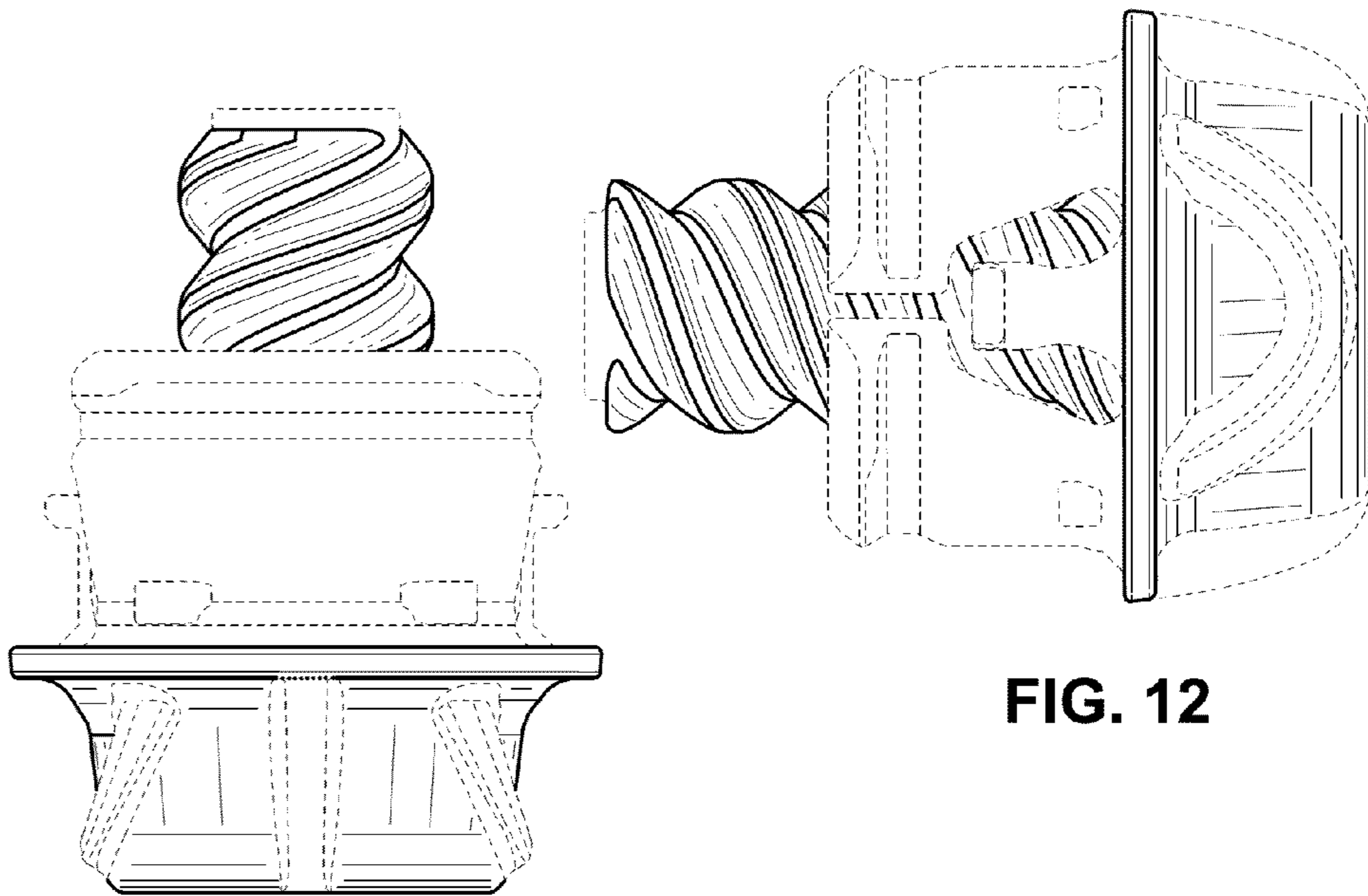


FIG. 11

FIG. 12