



US00D691712S

(12) **United States Design Patent**  
**Judson et al.**

(10) **Patent No.:** **US D691,712 S**  
(45) **Date of Patent:** **\*\* Oct. 15, 2013**

- (54) **RESPIRATORY MASK**
- (75) Inventors: **Daniel Robert Judson**, Lapstone (AU);  
**Aaron Samuel Davidson**, Mona Vale (AU); **Lee James Veliss**, West Ryde (AU)
- (73) Assignee: **ResMed Limited**, Bella Vista (AU)
- (\*\*) Term: **14 Years**
- (21) Appl. No.: **29/347,611**
- (22) Filed: **Mar. 12, 2010**

- D542,912 S 5/2007 Gunaratnam
- D548,332 S 8/2007 Hitchcock et al.
- D557,800 S 12/2007 Hitchcock et al.
- D586,907 S 2/2009 Judson et al.
- D586,911 S \* 2/2009 McAuley et al. .... D24/110.5
- D587,800 S 3/2009 Judson et al.
- D588,258 S 3/2009 Judson et al.
- D623,288 S \* 9/2010 Lubke et al. .... D24/110.1
- D656,231 S \* 3/2012 Henry et al. .... D24/110.1
- D664,250 S \* 7/2012 Scheiner et al. .... D24/110.1
- 2003/0196655 A1 10/2003 Ging

(Continued)

FOREIGN PATENT DOCUMENTS

JP 2004000573 A \* 1/2004

OTHER PUBLICATIONS

Judson et al., Parent U.S. Appl. No. 29/311,161, filed Jan. 6, 2009.

*Primary Examiner* — Rashida Johnson

(74) *Attorney, Agent, or Firm* — Nixon & Vanderhye, PC

(57) **CLAIM**

The ornamental design for a respiratory mask, as shown and described.

**DESCRIPTION**

FIG. 1 is a front perspective view showing a respiratory mask according to our new ornamental design;  
 FIG. 2 is a reverse perspective view thereof;  
 FIG. 3 is a front view thereof;  
 FIG. 4 is a rear view thereof;  
 FIG. 5 is a top view thereof;  
 FIG. 6 is a bottom view thereof;  
 FIG. 7 is a left side view thereof; and,  
 FIG. 8 is a right side view thereof.  
 The broken lines, shown throughout the views, represent the portions of the respiratory mask, which form no part of the claimed design.

**1 Claim, 8 Drawing Sheets**

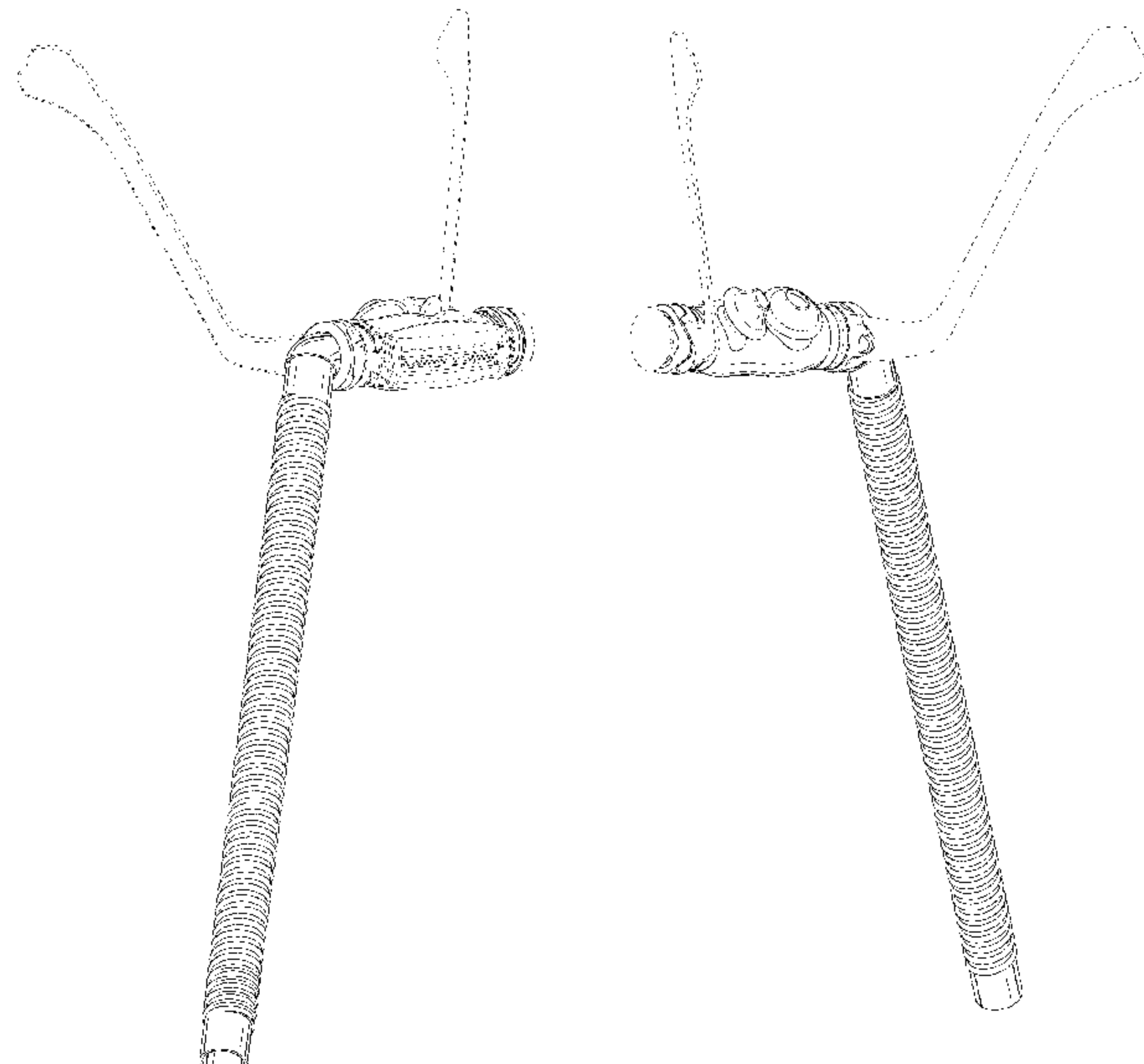
**Related U.S. Application Data**

- (60) Continuation of application No. 29/311,161, filed on Jan. 6, 2009, now Pat. No. Des. 614,290, which is a division of application No. 29/258,084, filed on Apr. 14, 2006, now Pat. No. Des. 587,800.
- (51) **LOC (9) Cl.** ..... **29-02**
- (52) **U.S. Cl.**  
USPC ..... **D24/110.1**
- (58) **Field of Classification Search**  
USPC ..... D24/110, 110.1, 110.4, 110.5, 110.6, D24/129, 164; 128/205.29, 205.25, 206.12, 128/206.13, 206.24, 206.19, 206.25, 128/206.28, 206.18, 207.13  
See application file for complete search history.

(56) **References Cited**

U.S. PATENT DOCUMENTS

- 2,763,263 A 9/1956 Ellman
- 3,513,844 A 5/1970 Smith
- 4,782,832 A 11/1988 Trimble
- 5,113,857 A 5/1992 Dickerman et al.
- 5,724,965 A \* 3/1998 Handke et al. .... 128/207.13
- 6,119,694 A 9/2000 Correa
- 6,431,172 B1 8/2002 Bordewick
- 6,595,215 B2 7/2003 Wood



# US D691,712 S

Page 2

---

(56)

## References Cited

### U.S. PATENT DOCUMENTS

2005/0011524 A1 1/2005 Thomlinson  
2005/0241644 A1 11/2005 Gunaratnam

2006/0137690 A1 6/2006 Gunaratnam et al.  
2009/0032026 A1\* 2/2009 Price et al. .... 128/207.11  
2009/0151729 A1\* 6/2009 Judson et al. .... 128/207.13

\* cited by examiner

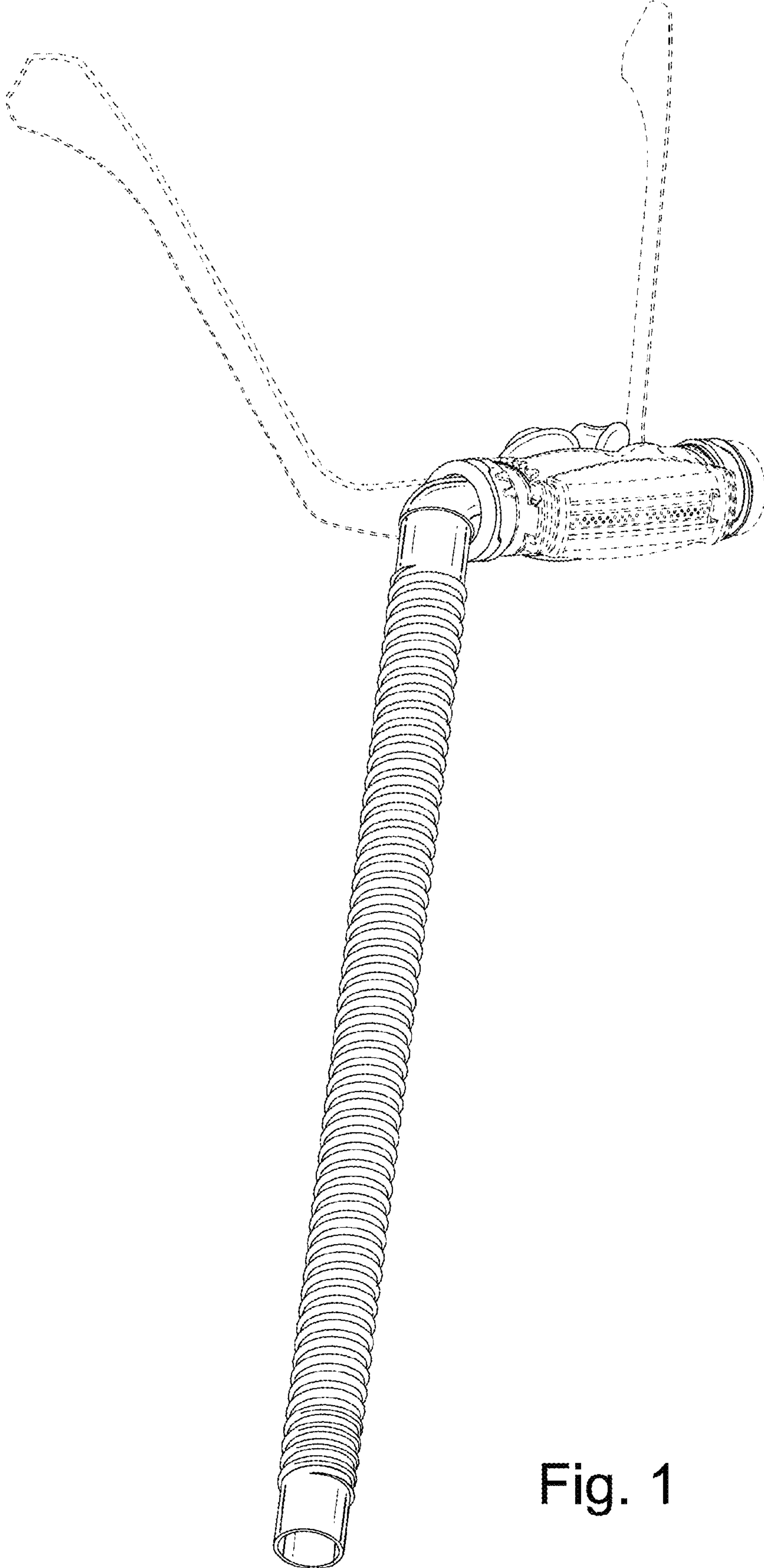


Fig. 1

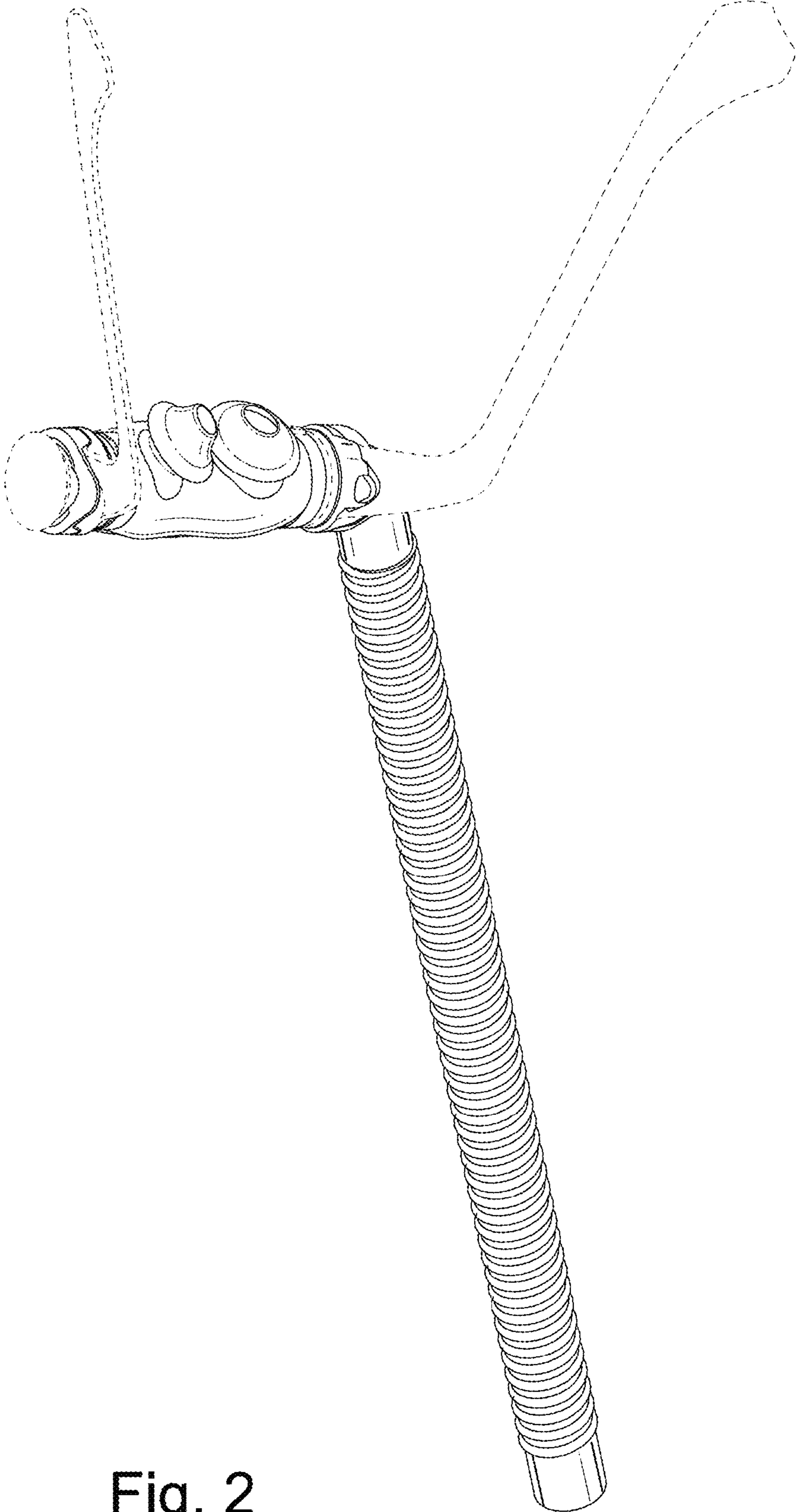


Fig. 2

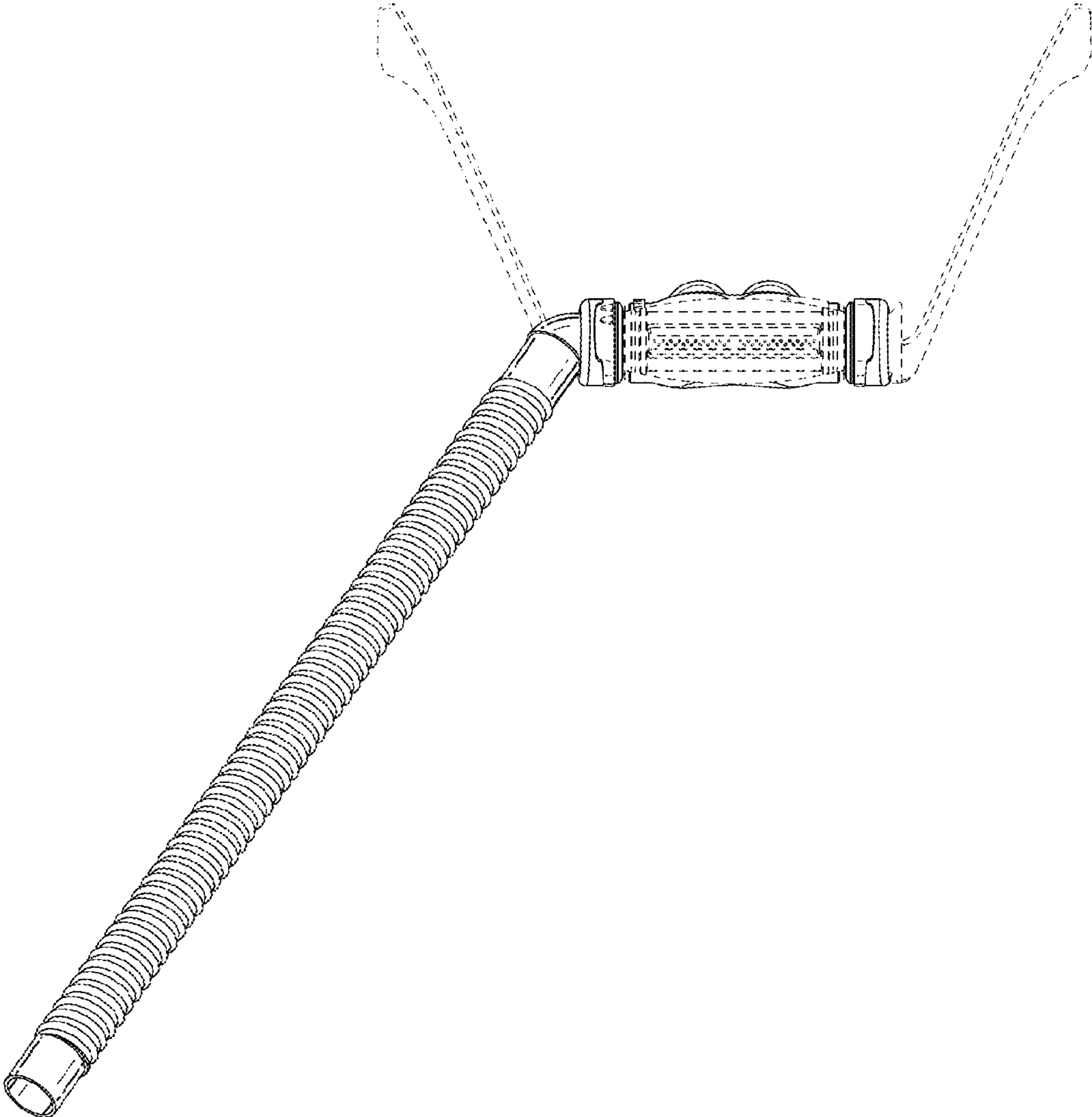


Fig. 3



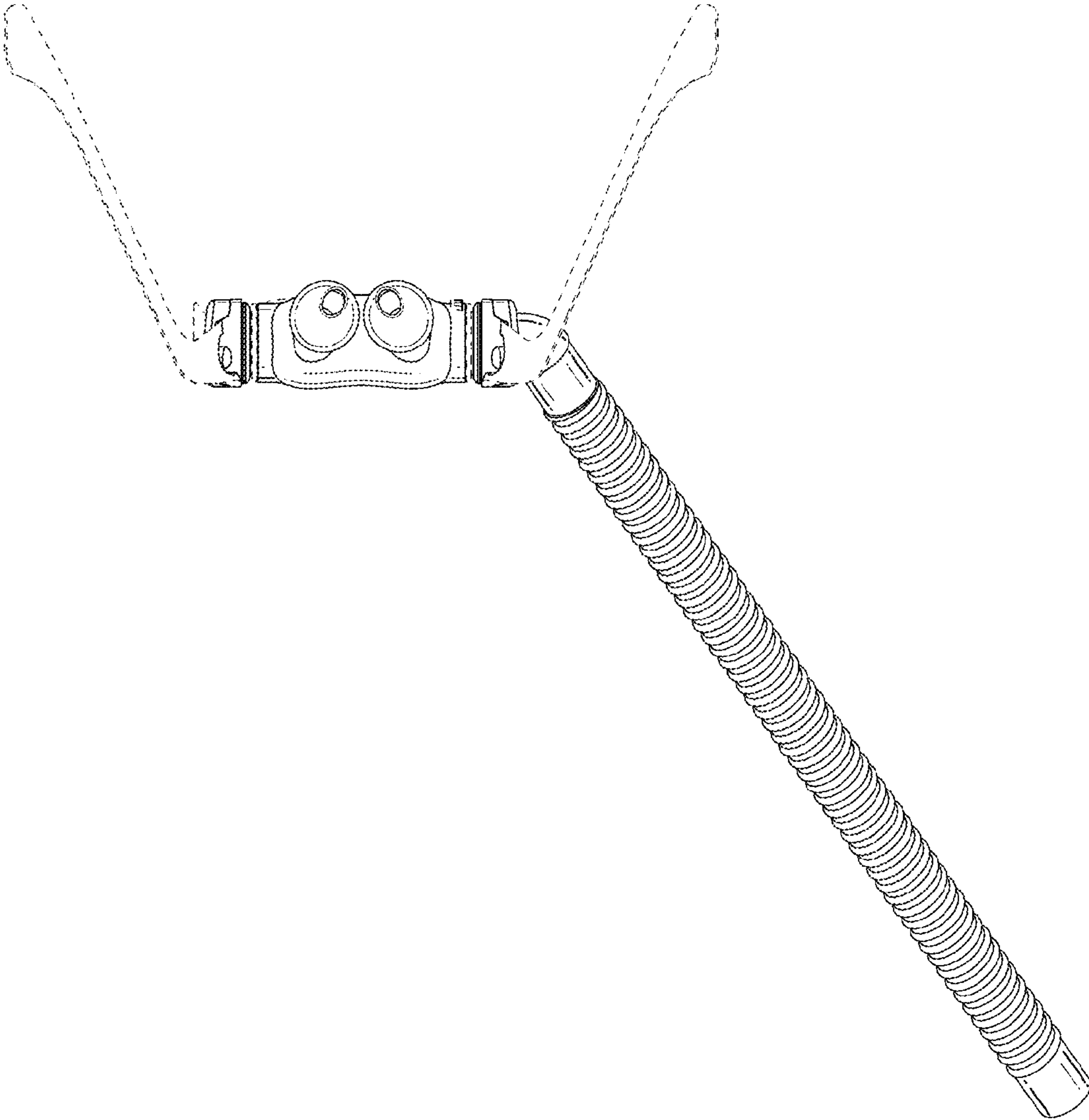


Fig. 4

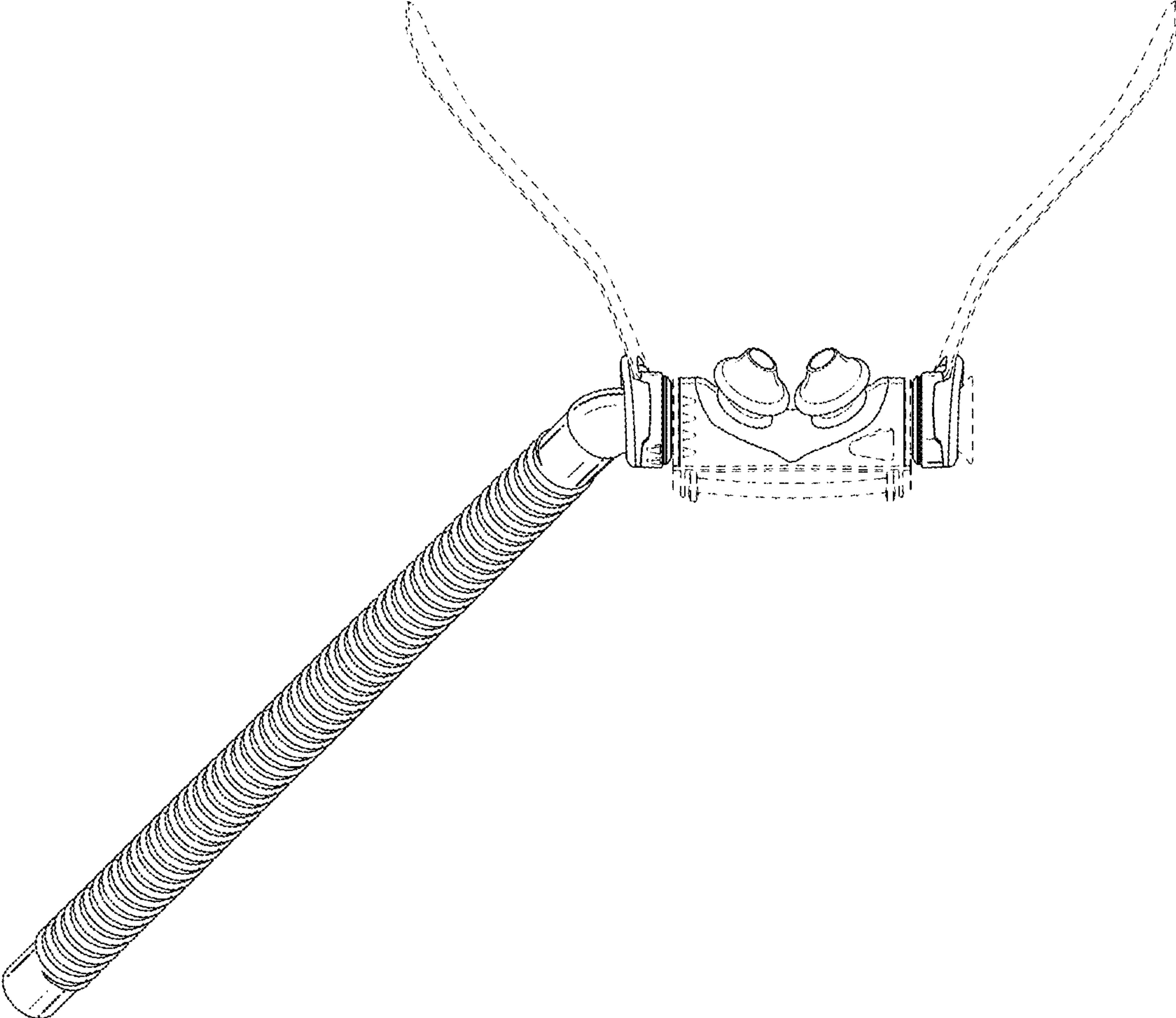


Fig. 5

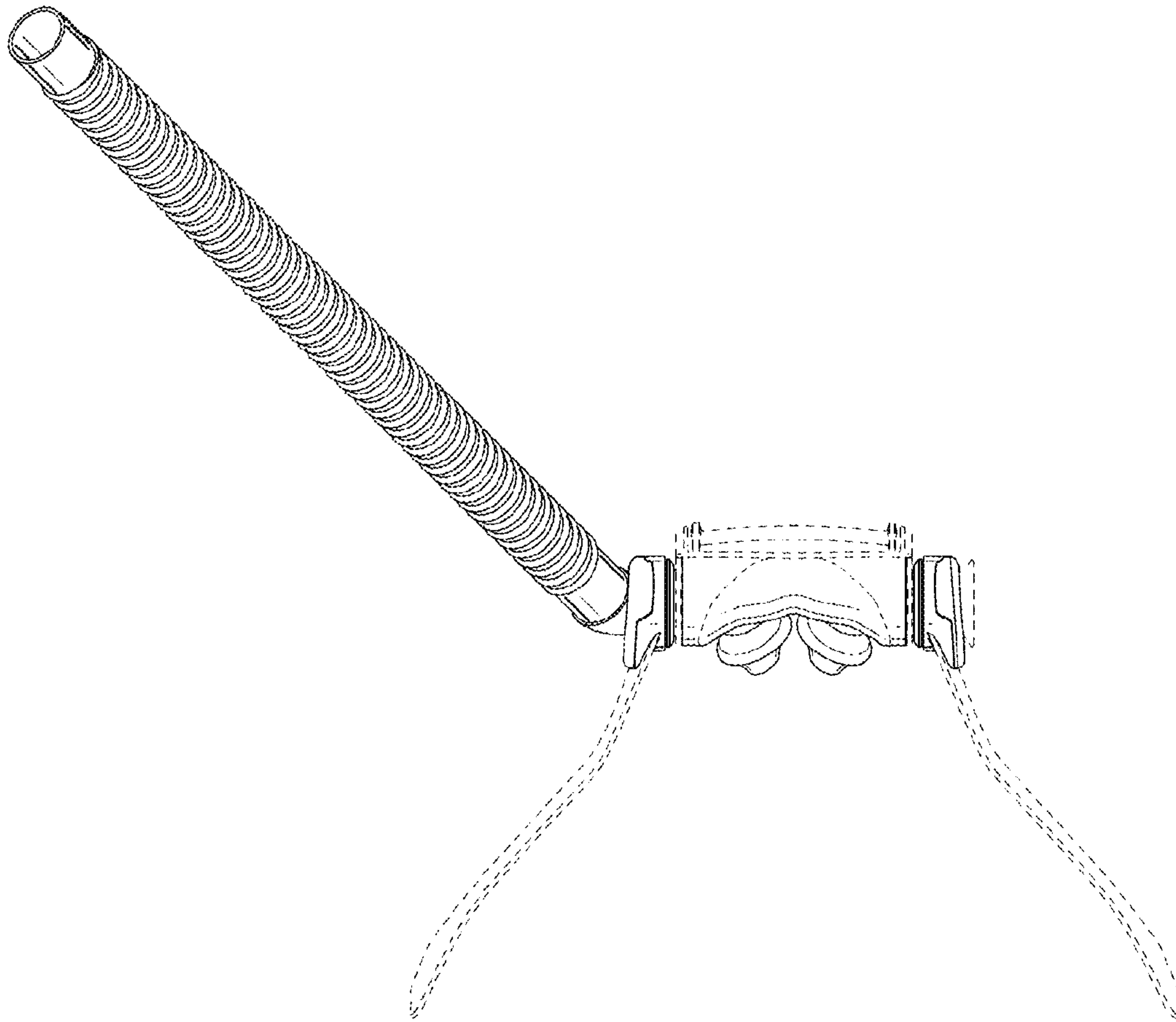


Fig. 6



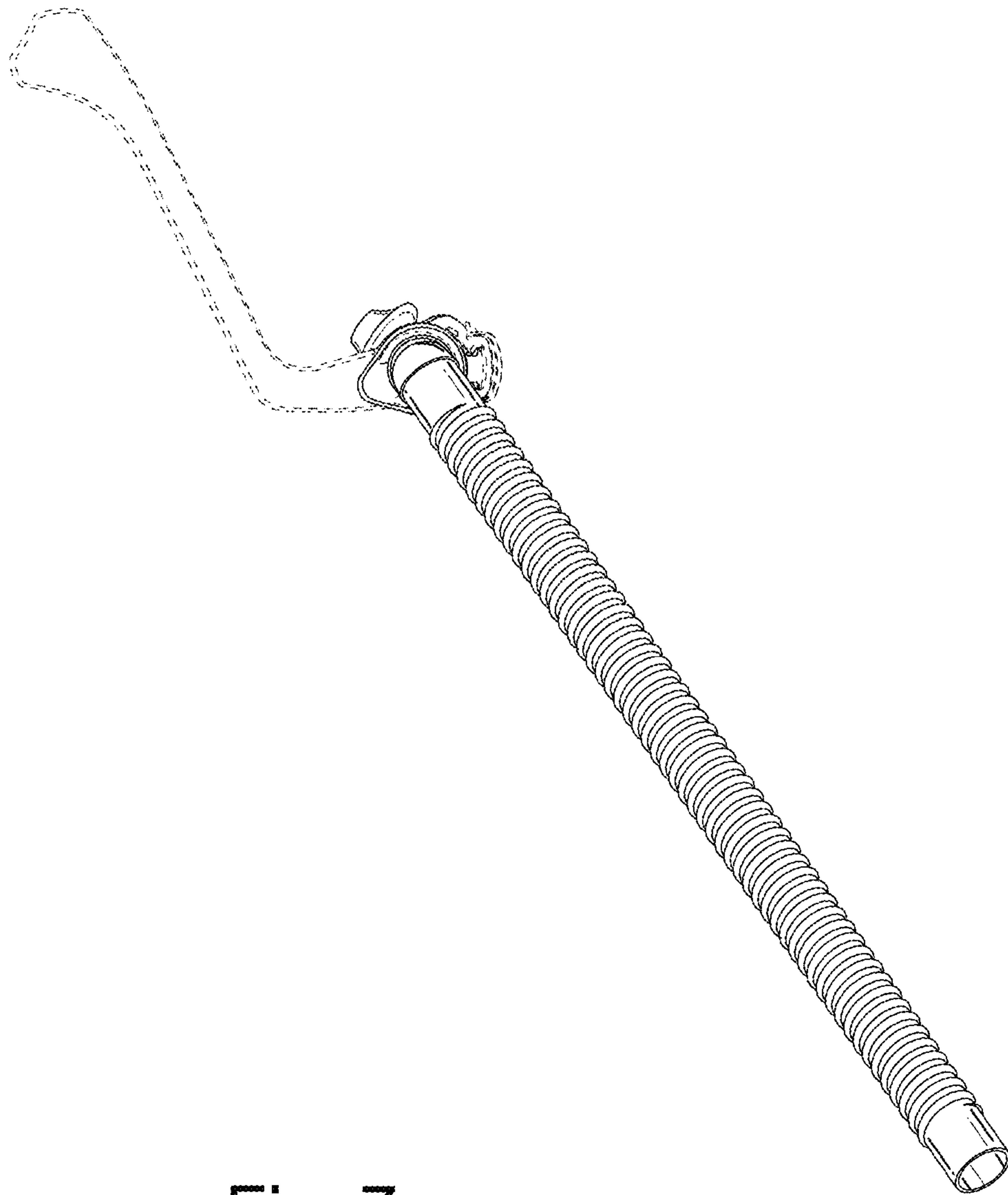


Fig. 7

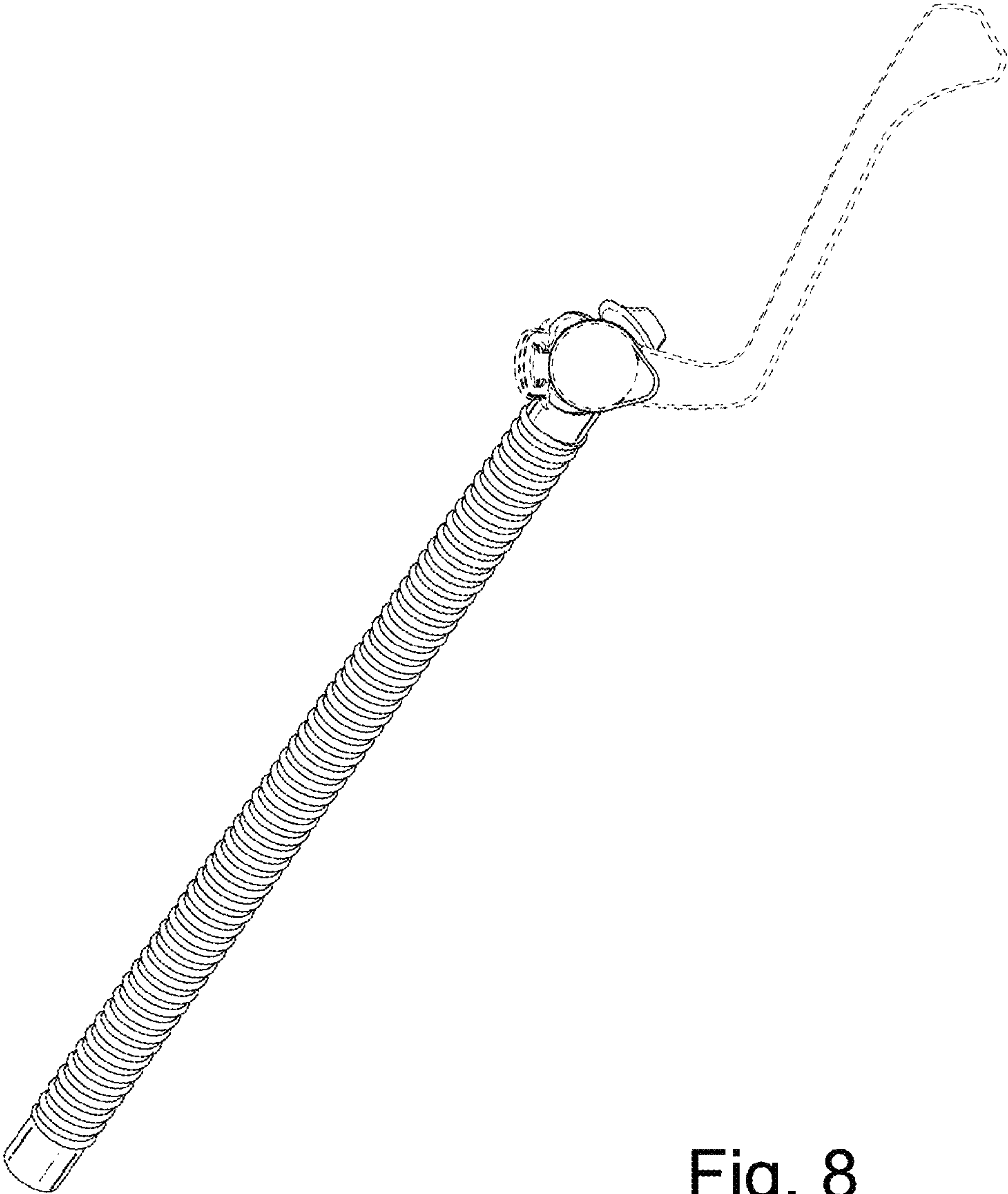


Fig. 8