



US00D691711S

(12) **United States Design Patent**
Löfgren

(10) **Patent No.:** **US D691,711 S**

(45) **Date of Patent:** **** Oct. 15, 2013**

(54) **DIAGNOSTIC APPARATUS AND A SPECIMEN CONTAINER CASSETTE**

(75) Inventor: **Mikael Löfgren**, Mölndal (SE)

(73) Assignee: **Observe Medical ApS**, Kongens Lyngby (DK)

(**) Term: **14 Years**

(21) Appl. No.: **29/398,487**

(22) Filed: **Aug. 1, 2011**

(30) **Foreign Application Priority Data**

Feb. 4, 2011 (EM) 001816679-0001
Feb. 4, 2011 (EM) 001816679-0002
Feb. 4, 2011 (EM) 001816679-0003

(51) **LOC (9) Cl.** **24-01**

(52) **U.S. Cl.**
USPC **D24/107; D24/232**

(58) **Field of Classification Search**
USPC D24/107, 127-129, 169, 185-186,
D24/164-165, 167, 216, 224, 227, 231,
D24/232; D10/81; 600/300-301, 573;
422/50-53, 62, 68.1, 83; 436/43, 47,
436/50; 356/244, 246
See application file for complete search history.

(56) **References Cited**

U.S. PATENT DOCUMENTS

D246,465 S * 11/1977 Bruni et al. D24/169
D307,321 S * 4/1990 Bransky et al. D24/186
D334,237 S * 3/1993 Collister et al. D24/232
D400,673 S * 11/1998 Kheiri et al. D24/107
D489,816 S * 5/2004 Ross D24/107

D573,051 S * 7/2008 Alden et al. D10/81
7,402,284 B2 * 7/2008 McGee et al. 422/83
D603,968 S * 11/2009 Brefka D24/186
D617,461 S * 6/2010 Kaushal et al. D24/169
D638,545 S * 5/2011 Okawa et al. D24/186
D652,511 S * 1/2012 Lombardi et al. D24/129
2012/0109008 A1 * 5/2012 Charlez et al. 600/573

* cited by examiner

Primary Examiner — Wan Laymon

(74) *Attorney, Agent, or Firm* — Renner, Otto, Boisselle & Sklar, LLP

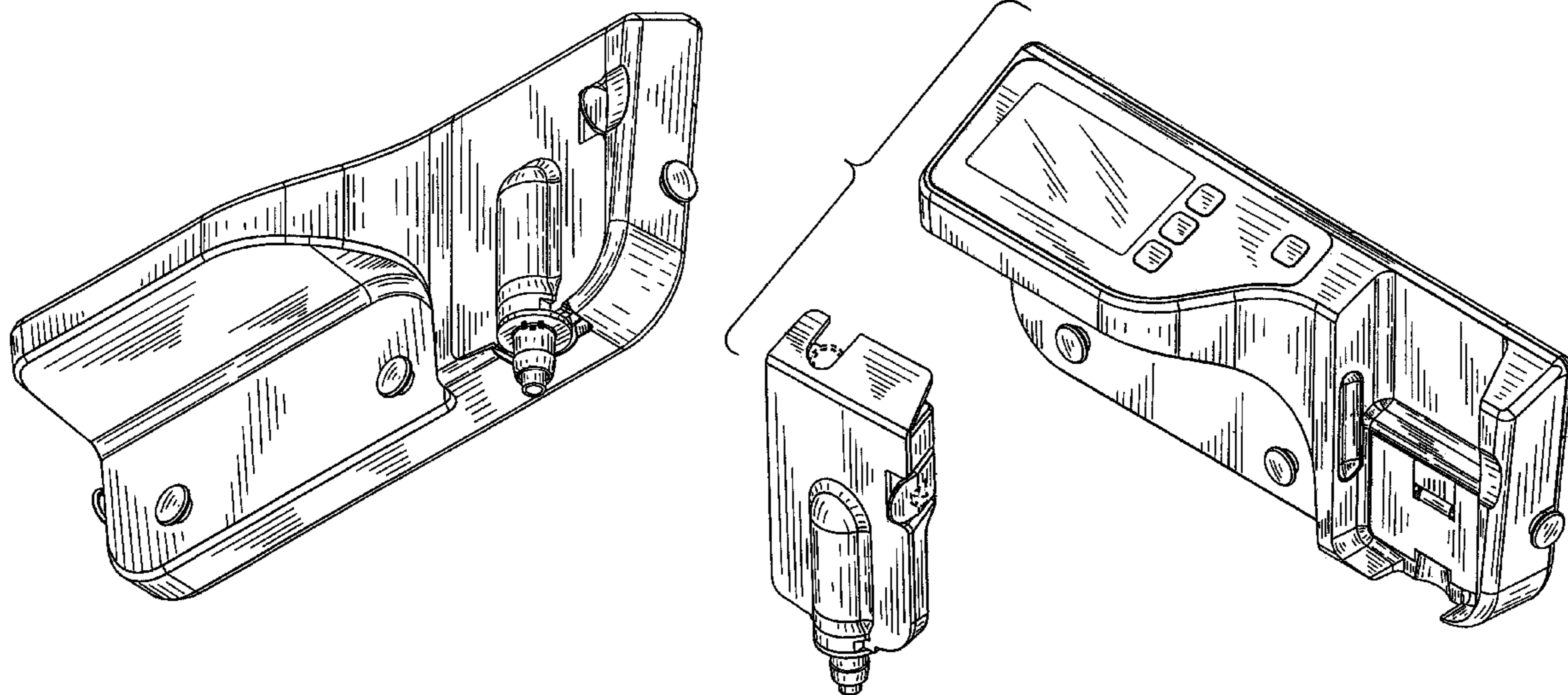
(57) **CLAIM**

The ornamental design for a diagnostic apparatus and a specimen container cassette, therefor, as shown and described.

DESCRIPTION

FIG. 1 is a front view of a diagnostic apparatus and a specimen container cassette in an installed configuration;
FIG. 2 is a top view thereof;
FIG. 3 is a bottom view thereof;
FIG. 4 is a left side view thereof;
FIG. 5 is a right side view thereof;
FIG. 6 is a rear view thereof;
FIG. 7 is a perspective view thereof;
FIG. 8 is another perspective view thereof;
FIG. 9 is another perspective view thereof; and,
FIG. 10 is a another perspective view of the diagnostic apparatus and the specimen container cassette in a separated configuration.
Portions of the diagnostic apparatus and a specimen container cassette shown in broken lines form no part of the claimed design.

1 Claim, 9 Drawing Sheets



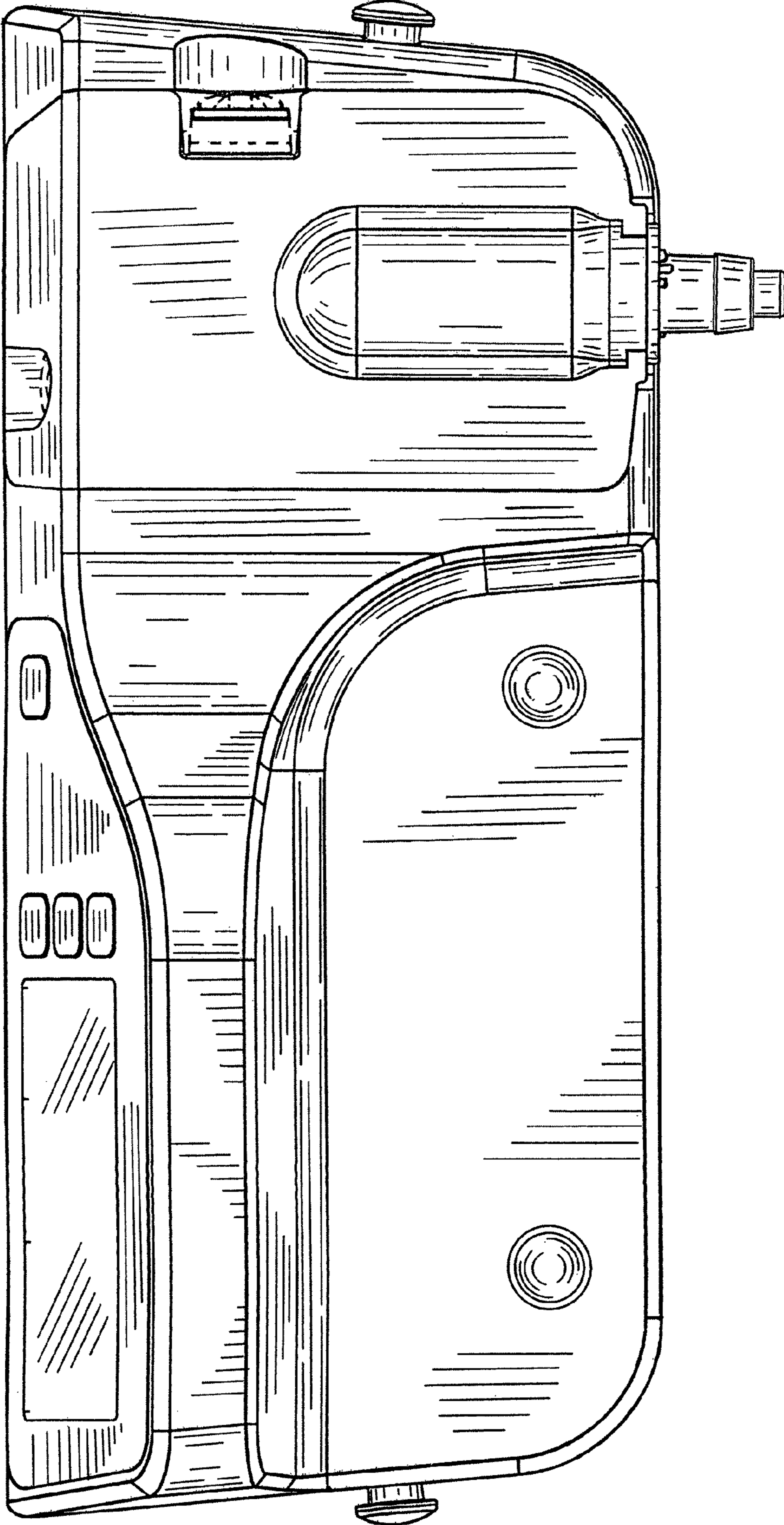


FIG. 1

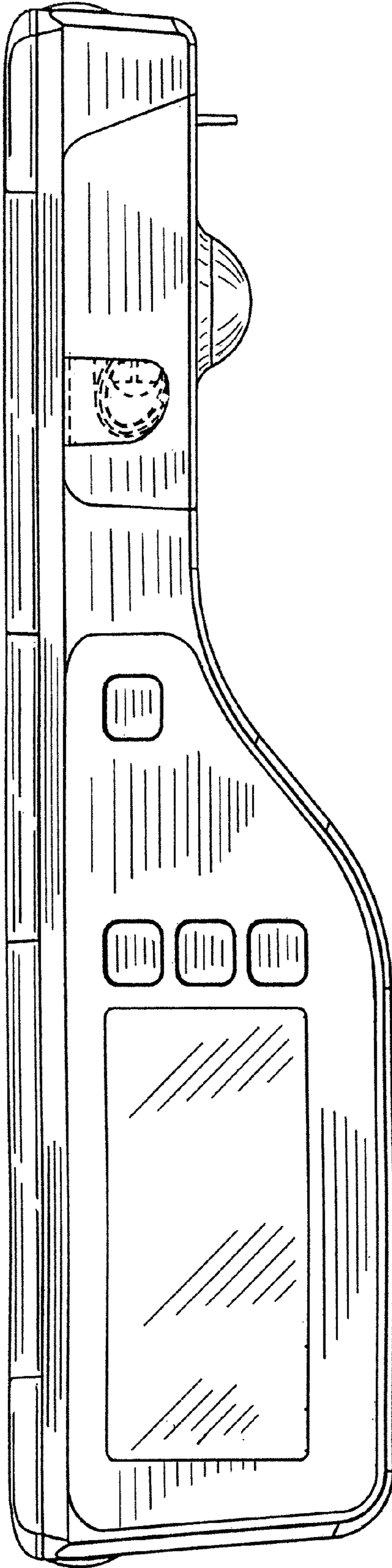


FIG. 2

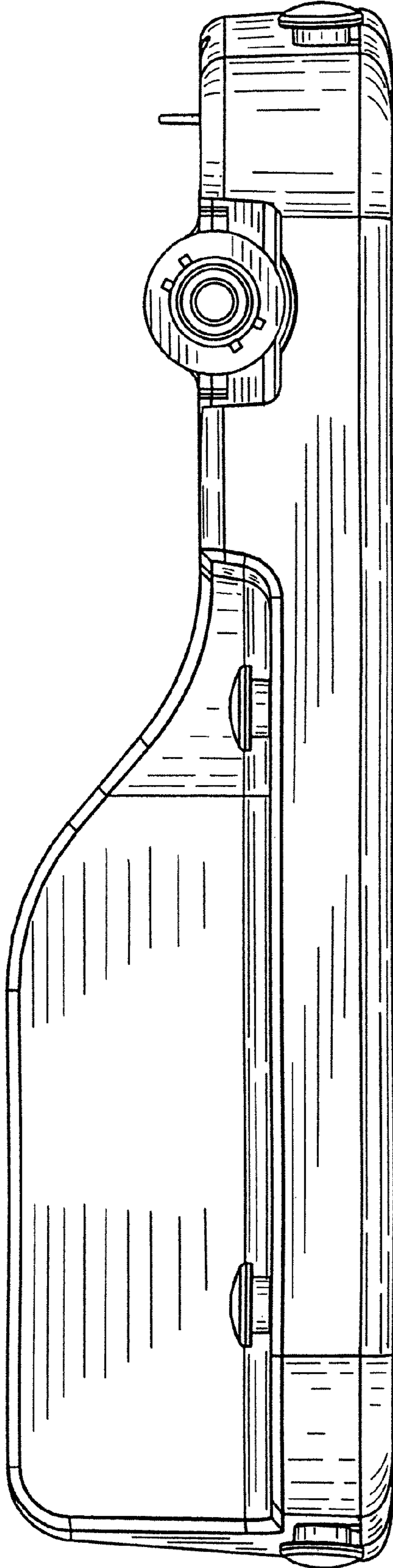


FIG. 3

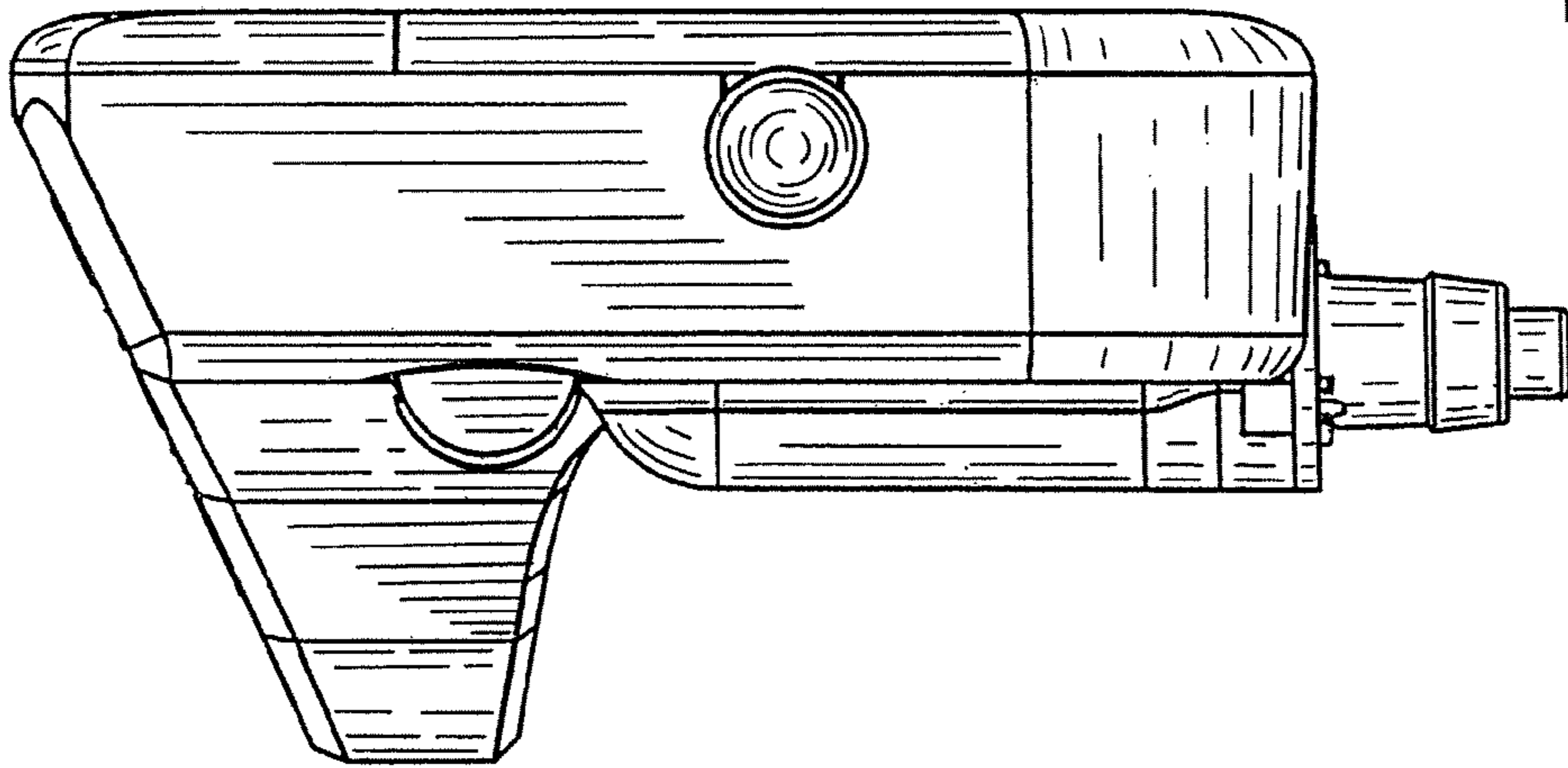


FIG. 5

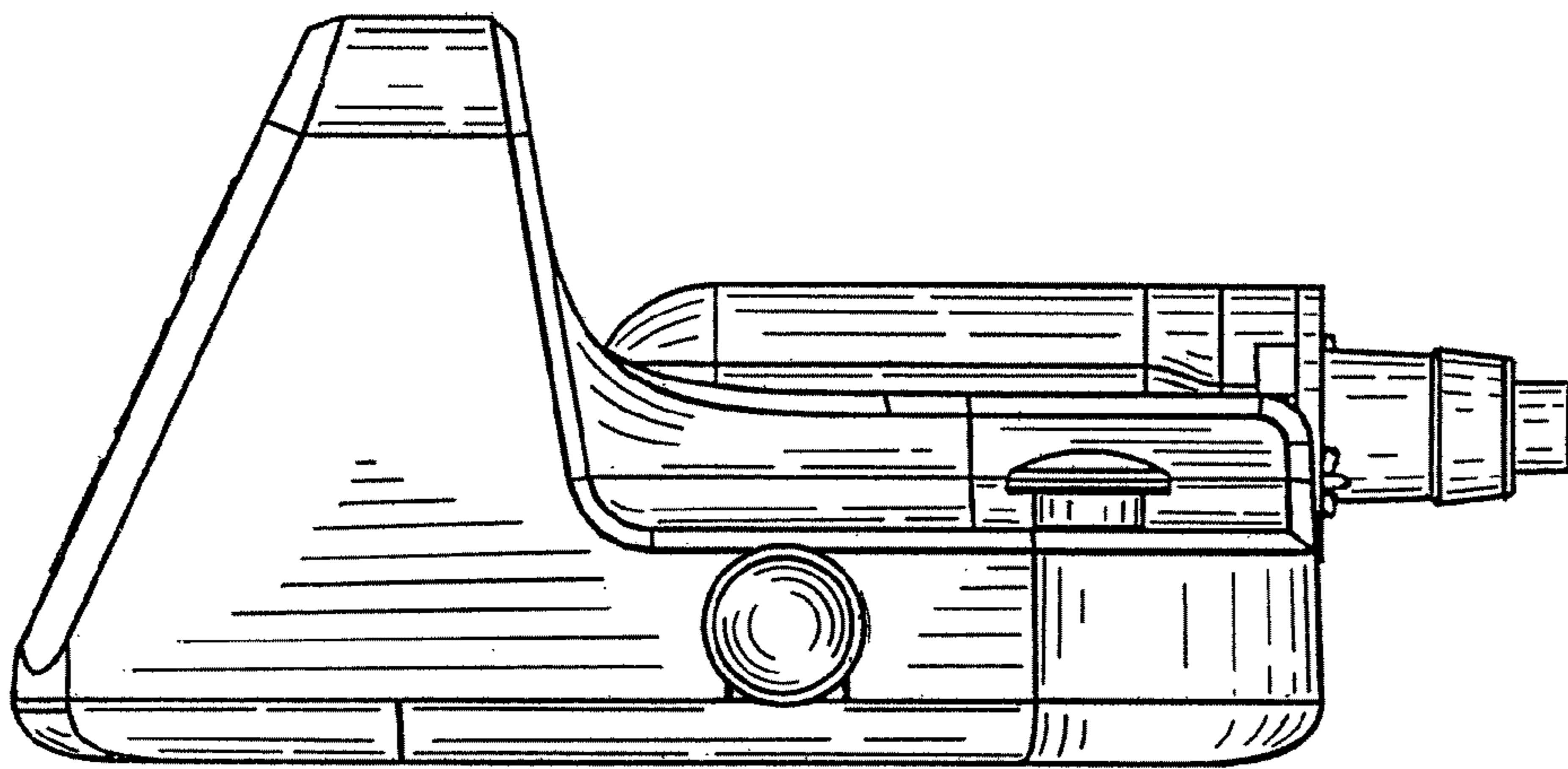


FIG. 4

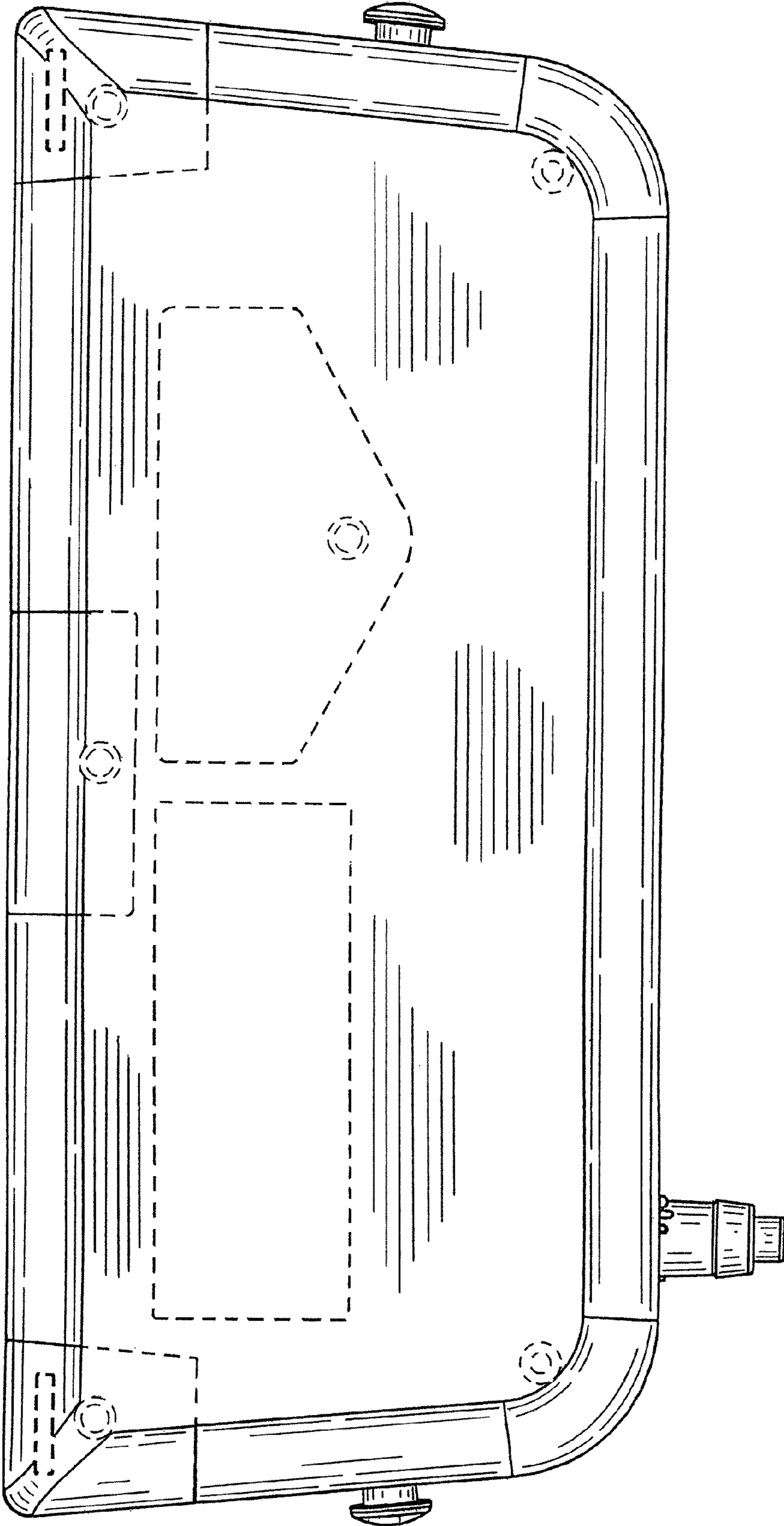


FIG. 6

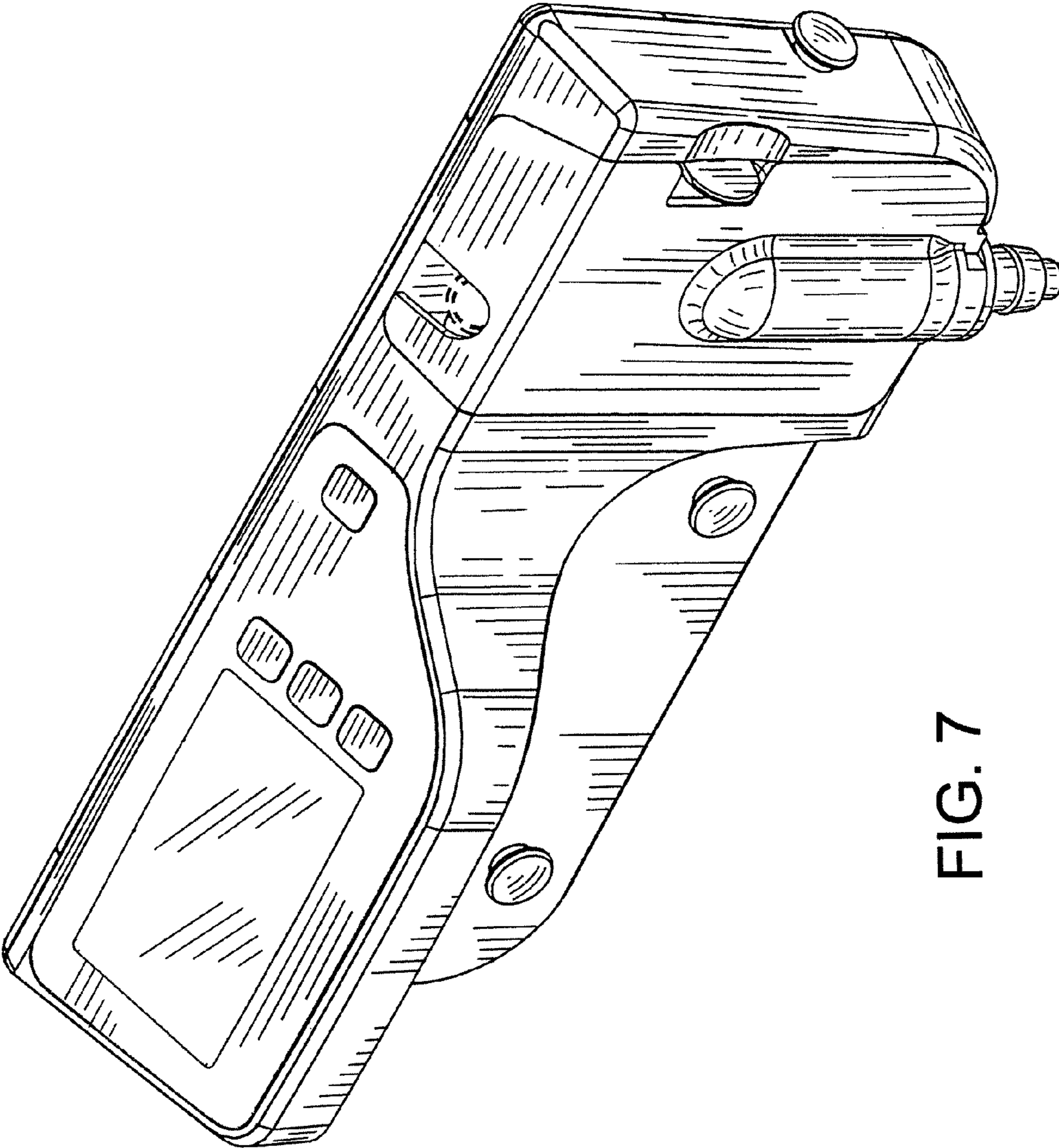


FIG. 7

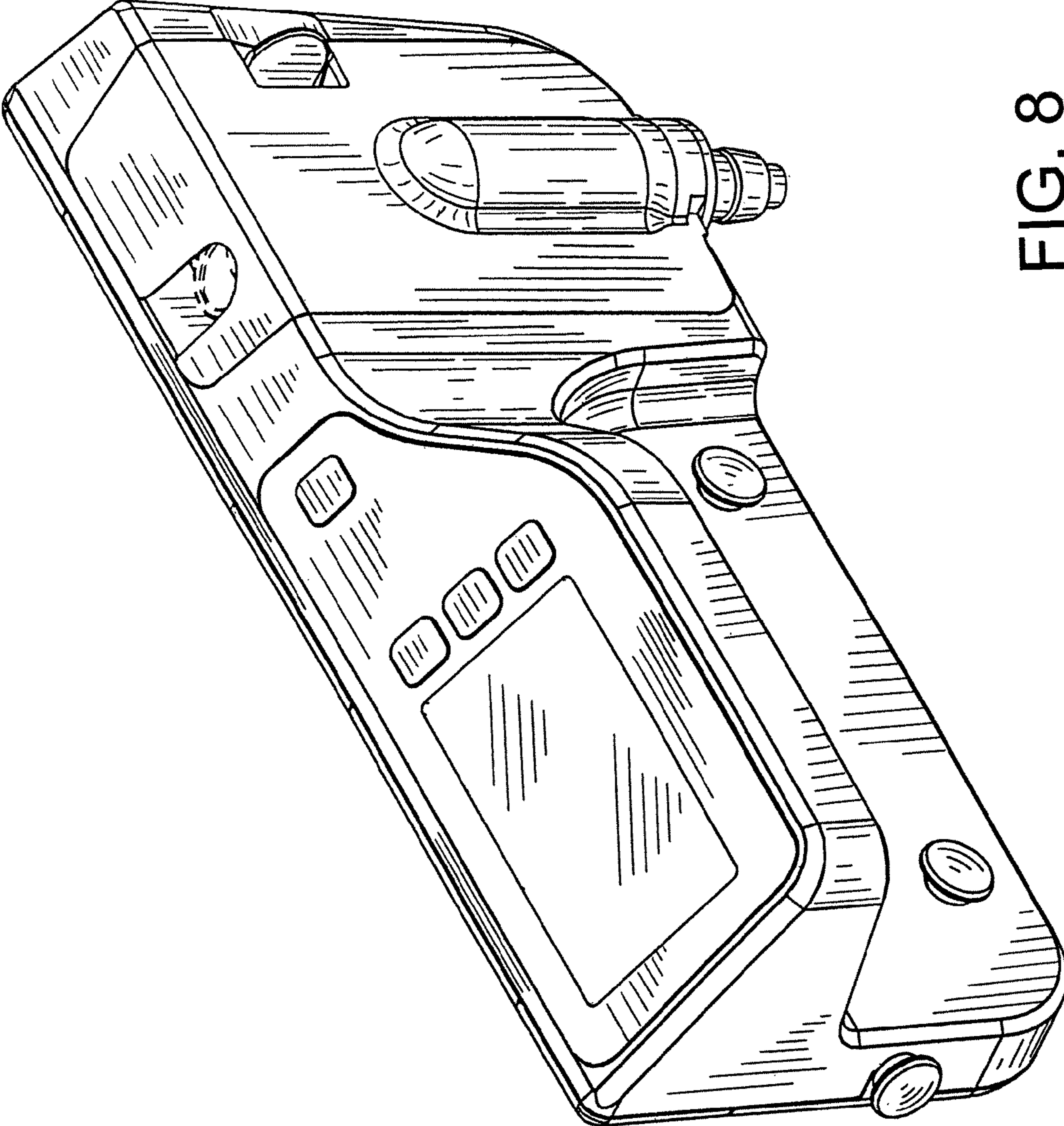


FIG. 8

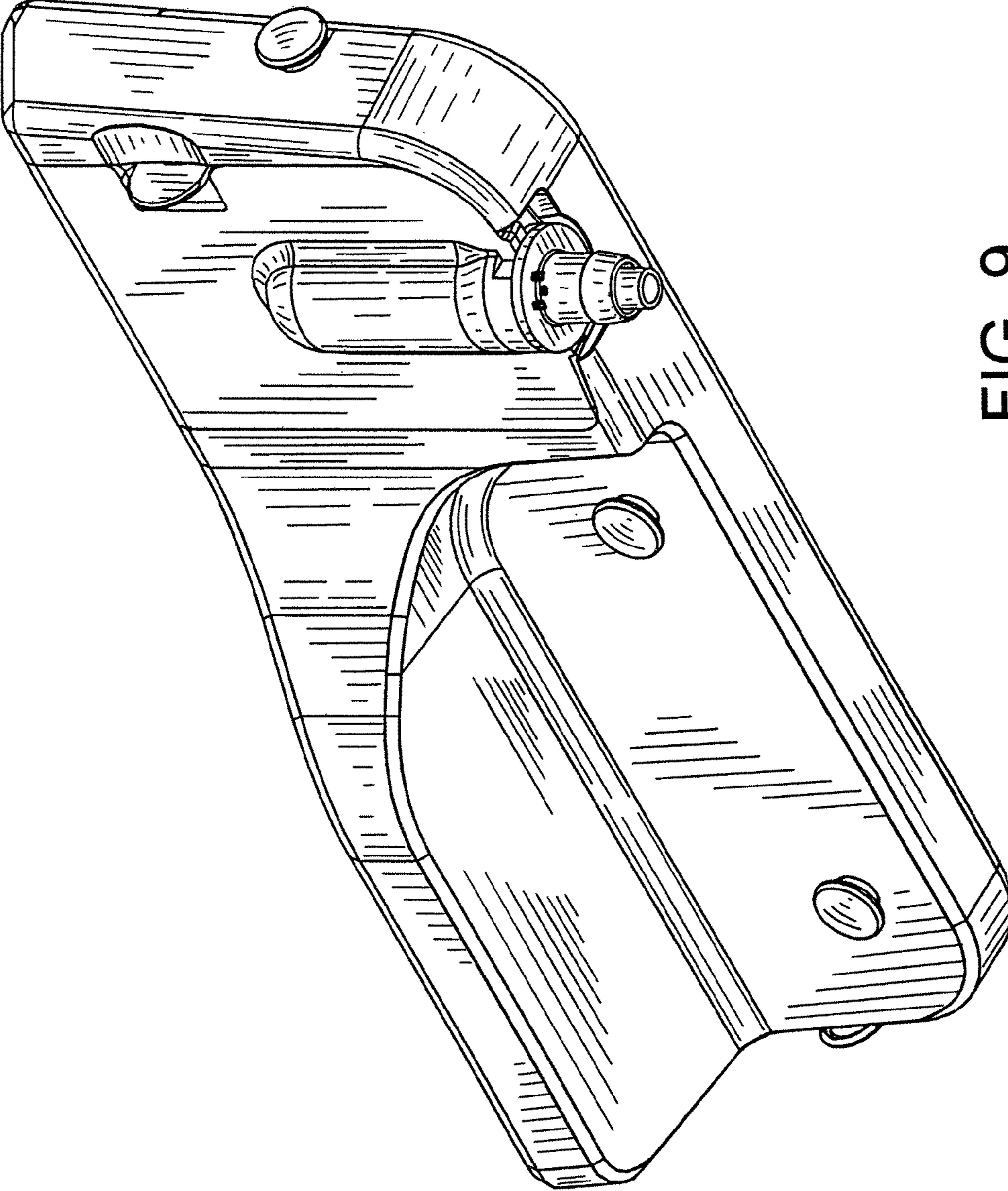


FIG. 9

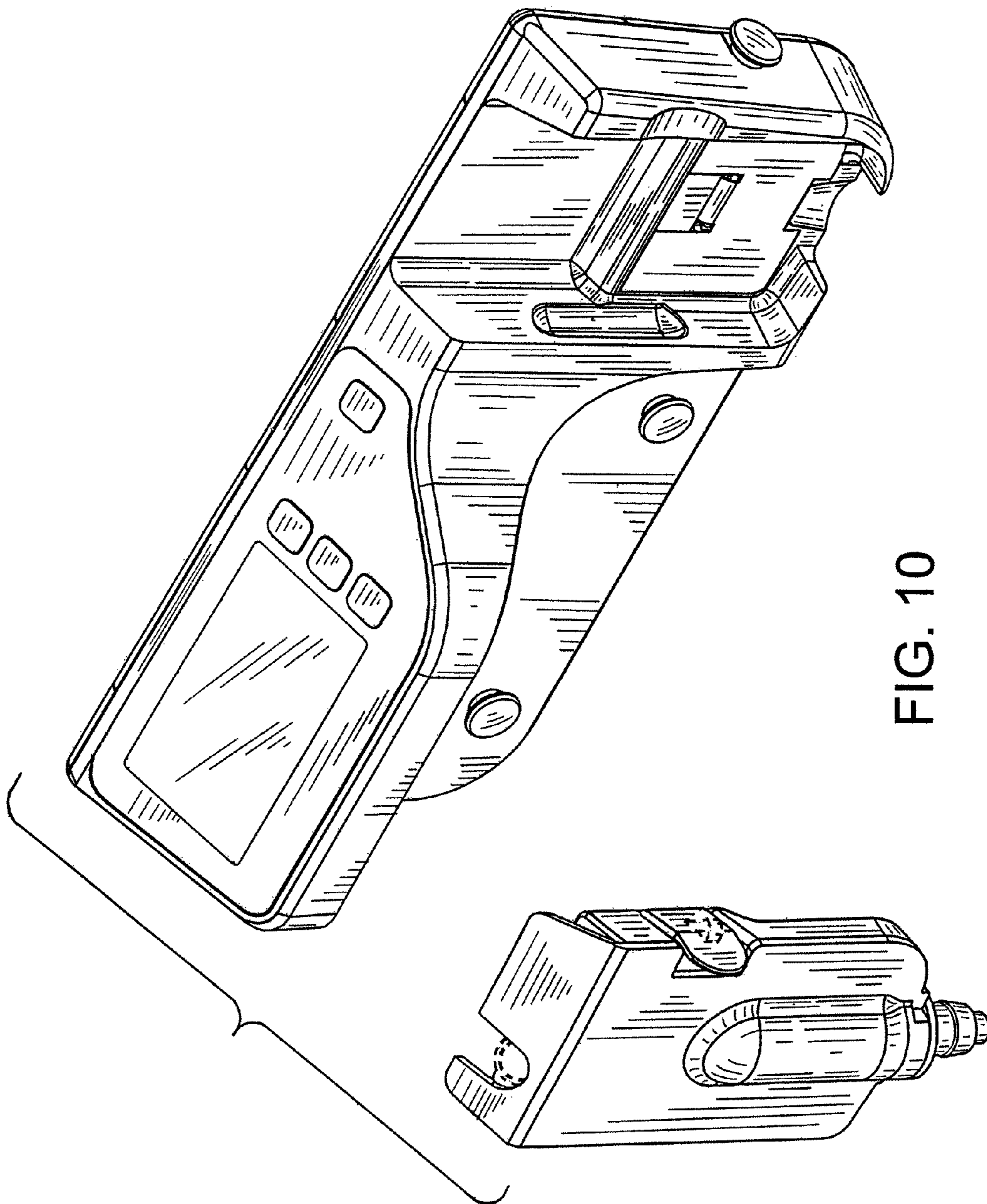


FIG. 10