



US00D691710S

(12) **United States Design Patent**
White

(10) **Patent No.:** **US D691,710 S**

(45) **Date of Patent:** **** Oct. 15, 2013**

(54) **MEDICAL DEVICE INSERTER**

(75) Inventor: **John White**, Chicago, IL (US)

(73) Assignee: **Abbott Diabetes Care Inc.**, Alameda, CA (US)

(**) Term: **14 Years**

(21) Appl. No.: **29/392,554**

(22) Filed: **May 23, 2011**

(51) **LOC (9) Cl.** **24-01**

(52) **U.S. Cl.**

USPC **D24/107**

(58) **Field of Classification Search**

USPC D24/107-112, 129-130, 133, 146, 165;
D9/683, 686, 689, 691; 600/345;
604/288.01, 181, 288.02, 263, 93.01,
604/164.08, 192, 112, 164.04, 164.07

See application file for complete search history.

(56) **References Cited**

U.S. PATENT DOCUMENTS

7,682,338	B2 *	3/2010	Griffin	604/164.07
2010/0106088	A1 *	4/2010	Yodfat et al.	604/112
2011/0046456	A1 *	2/2011	Hordum et al.	604/164.04
2011/0319729	A1 *	12/2011	Donnay et al.	600/309
2012/0010642	A1 *	1/2012	Lee et al.	606/182
2012/0190951	A1 *	7/2012	Curry et al.	600/345

* cited by examiner

Primary Examiner — Wan Laymon

(74) *Attorney, Agent, or Firm* — Jackson & Co., LLP

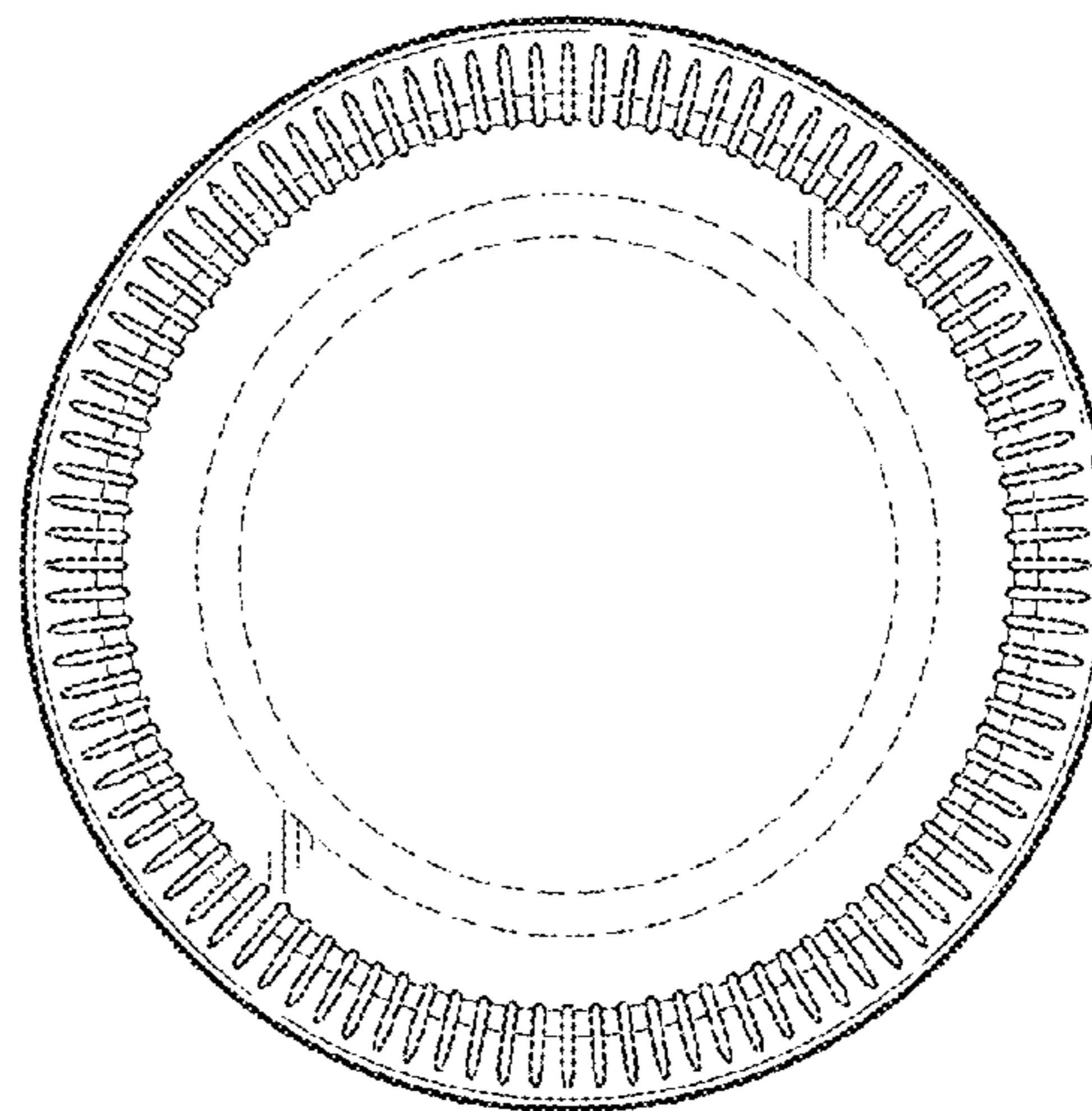
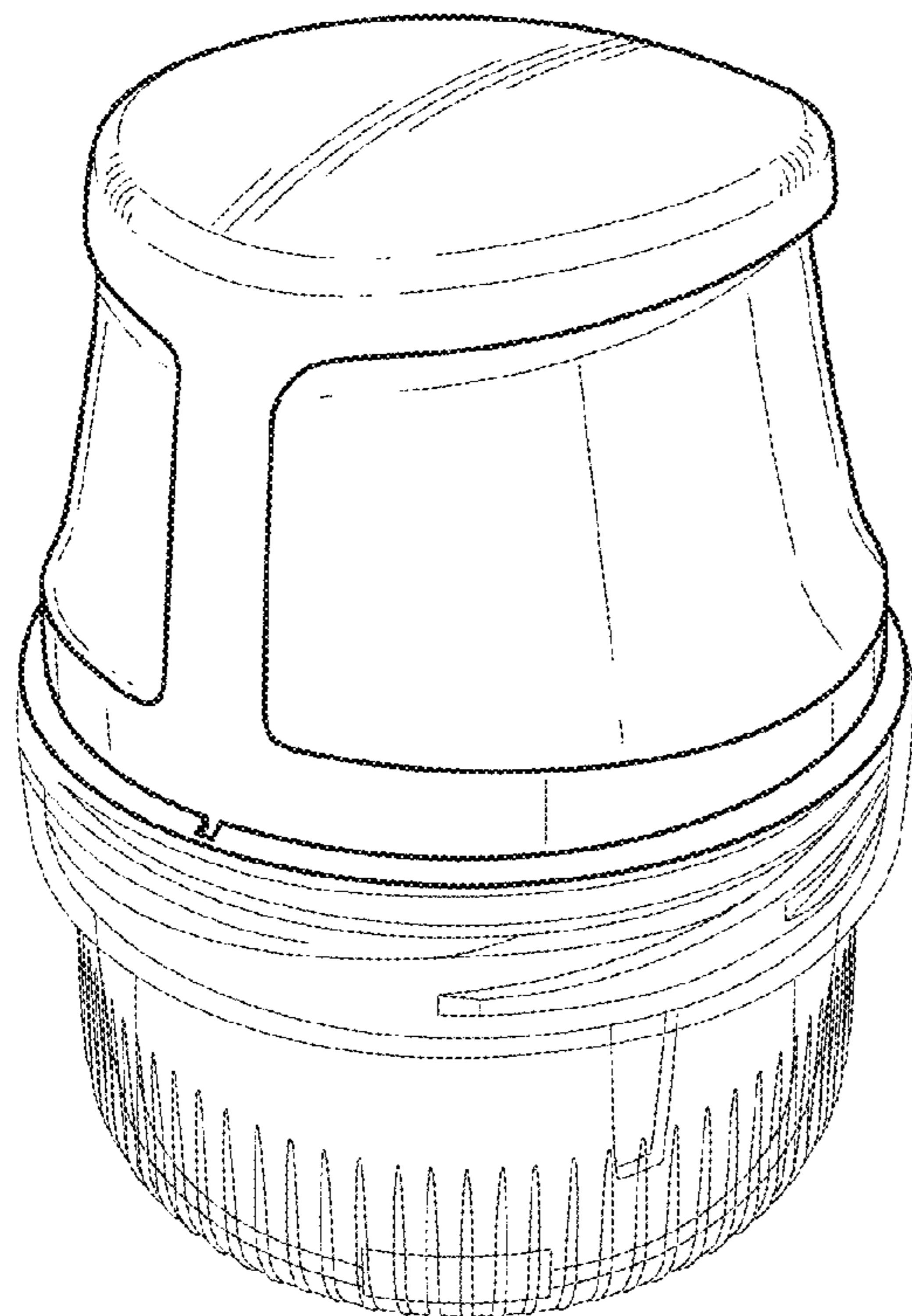
(57) **CLAIM**

The ornamental design for the medical device inserter, as shown and described.

DESCRIPTION

FIG. 1 is a perspective view of a medical device inserter in accordance with the new design; and, FIG. 2 is a bottom view of the medical device inserter. Portions of the medical device inserter shown in broken lines form no part of the claimed design.

1 Claim, 1 Drawing Sheet



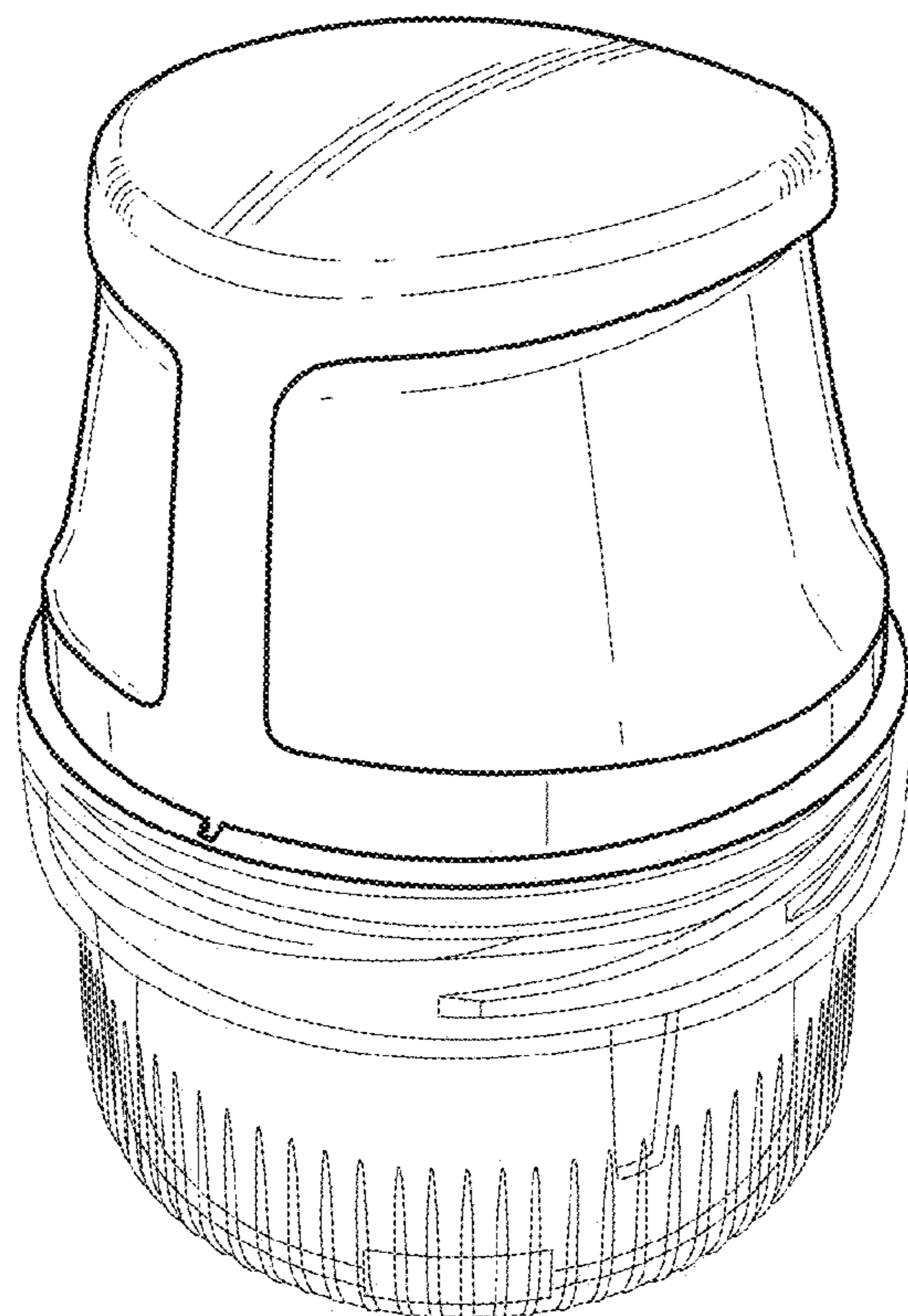


FIG. 1

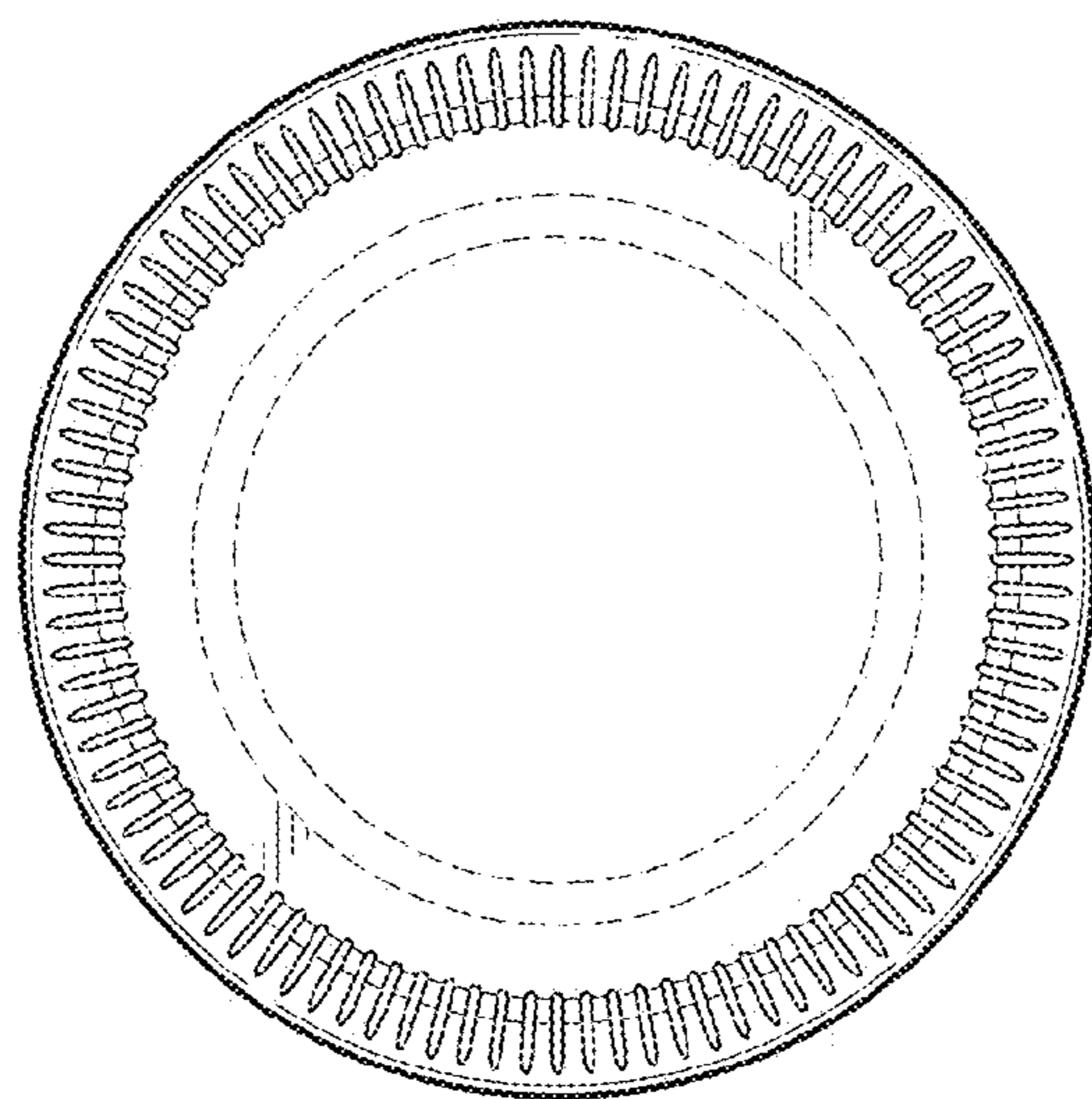


FIG. 2