



US00D691709S

(12) **United States Design Patent**
Franzino et al.

(10) **Patent No.:** **US D691,709 S**
(45) **Date of Patent:** **** Oct. 15, 2013**

(54) **DRAIN LINE DEVICE**

(75) Inventors: **Joseph J Franzino**, Redding, CT (US);
Michael A Hardy, White Plains, NY
(US)

(73) Assignee: **Crossford International, LLC**,
Stamford, CT (US)

(**) Term: **14 Years**

(21) Appl. No.: **29/395,759**

(22) Filed: **Mar. 26, 2012**

(51) **LOC (9) Cl.** **23-01**

(52) **U.S. Cl.**
USPC **D23/266**

(58) **Field of Classification Search**
USPC D8/14; D23/266; 4/696; 138/118, 121,
138/122
See application file for complete search history.

(56) **References Cited**

U.S. PATENT DOCUMENTS

1,057,098	A *	3/1913	Smith	405/49
D123,490	S *	11/1940	Saffell	D8/93
3,794,080	A *	2/1974	Huston et al.	138/121
3,839,752	A *	10/1974	Brown et al.	4/696
D307,703	S *	5/1990	Tomasula	D8/107
D339,180	S *	9/1993	Taylor	D21/672

D352,800	S *	11/1994	Leung	D28/35
D365,625	S *	12/1995	Bova	D23/266
D379,404	S *	5/1997	Spelts	D23/266
D443,344	S *	6/2001	Evans	D23/266
D479,741	S *	9/2003	Chiu	D23/266
D483,097	S *	12/2003	Napoli	D23/266
6,935,378	B2 *	8/2005	Ikemoto et al.	138/121
6,983,769	B2 *	1/2006	Arima et al.	138/121
7,077,166	B2 *	7/2006	Heo et al.	138/118
8,230,885	B2 *	7/2012	Krauss et al.	138/121
2004/0060609	A1 *	4/2004	Fatato et al.	138/121
2006/0213567	A1 *	9/2006	Parpart et al.	138/121
2007/0051417	A1 *	3/2007	Boettner et al.	138/121
2012/0018024	A1 *	1/2012	Hagist et al.	138/121
2013/0105026	A1 *	5/2013	Biaggi et al.	138/121

* cited by examiner

Primary Examiner — Philip S Hyder

Assistant Examiner — Roselynn Cody

(74) *Attorney, Agent, or Firm* — Patrick J. Walsh

(57) **CLAIM**

The ornamental design for a drain line device, as shown and described.

DESCRIPTION

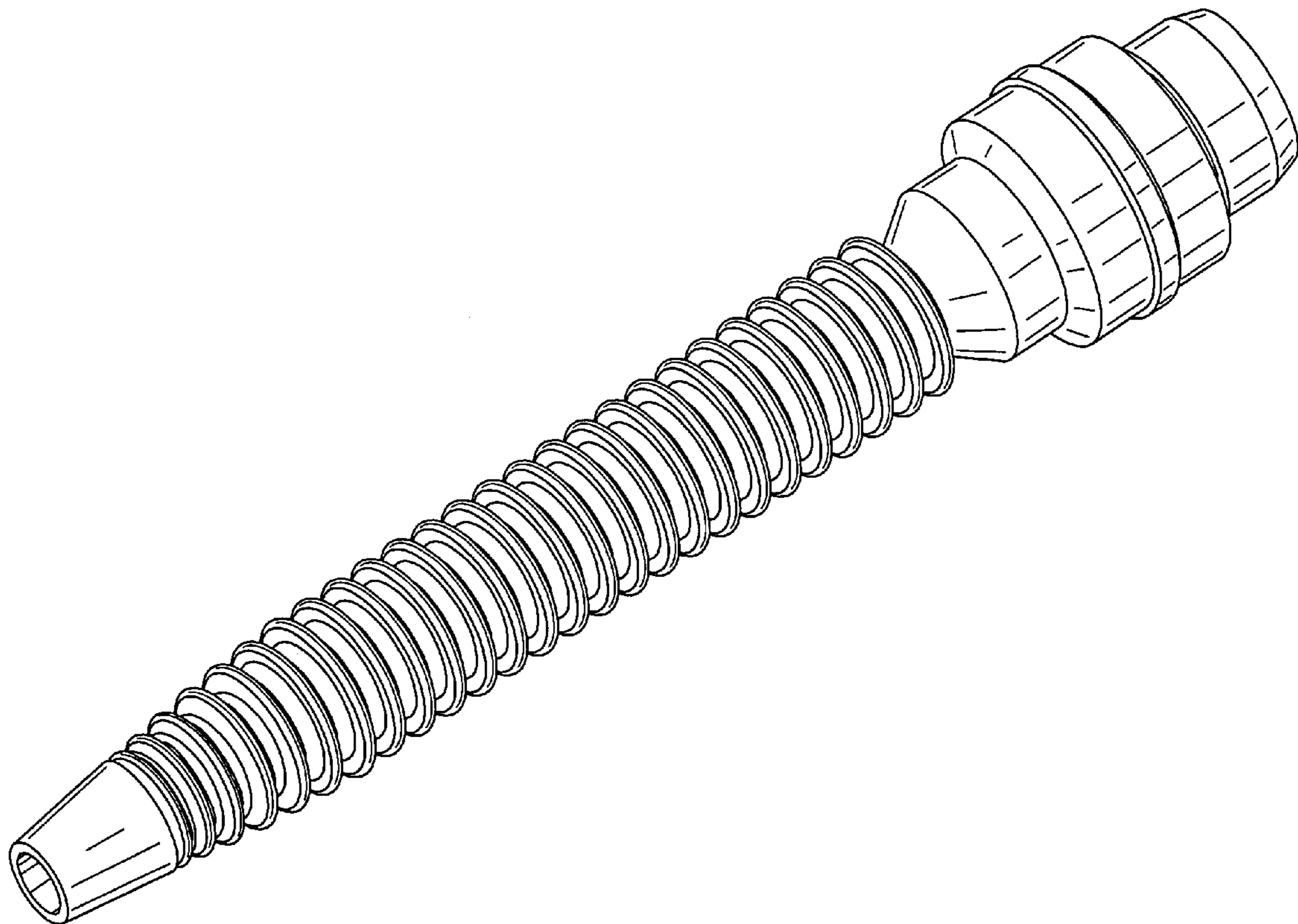
FIG. 1 is a perspective view of the drain line device, showing our new design;

FIG. 2 is a plan view thereof, the opposite side being the same;

FIG. 3 is a left side elevation view thereof; and,

FIG. 4 is a right side elevation view thereof.

1 Claim, 2 Drawing Sheets



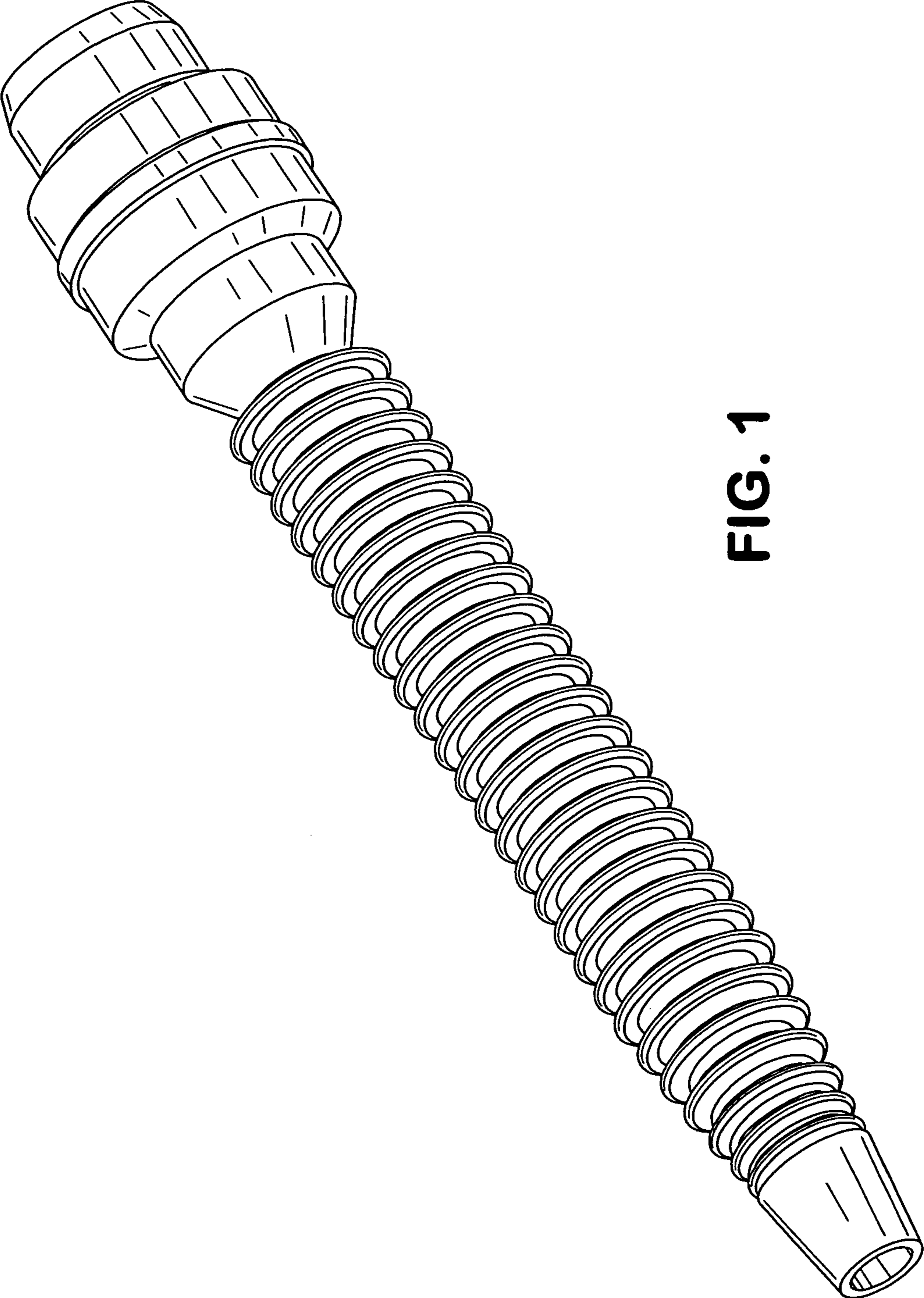


FIG. 1

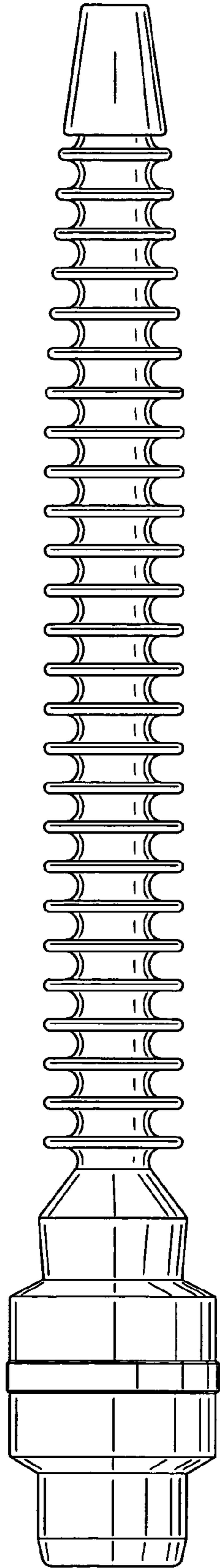


FIG. 2

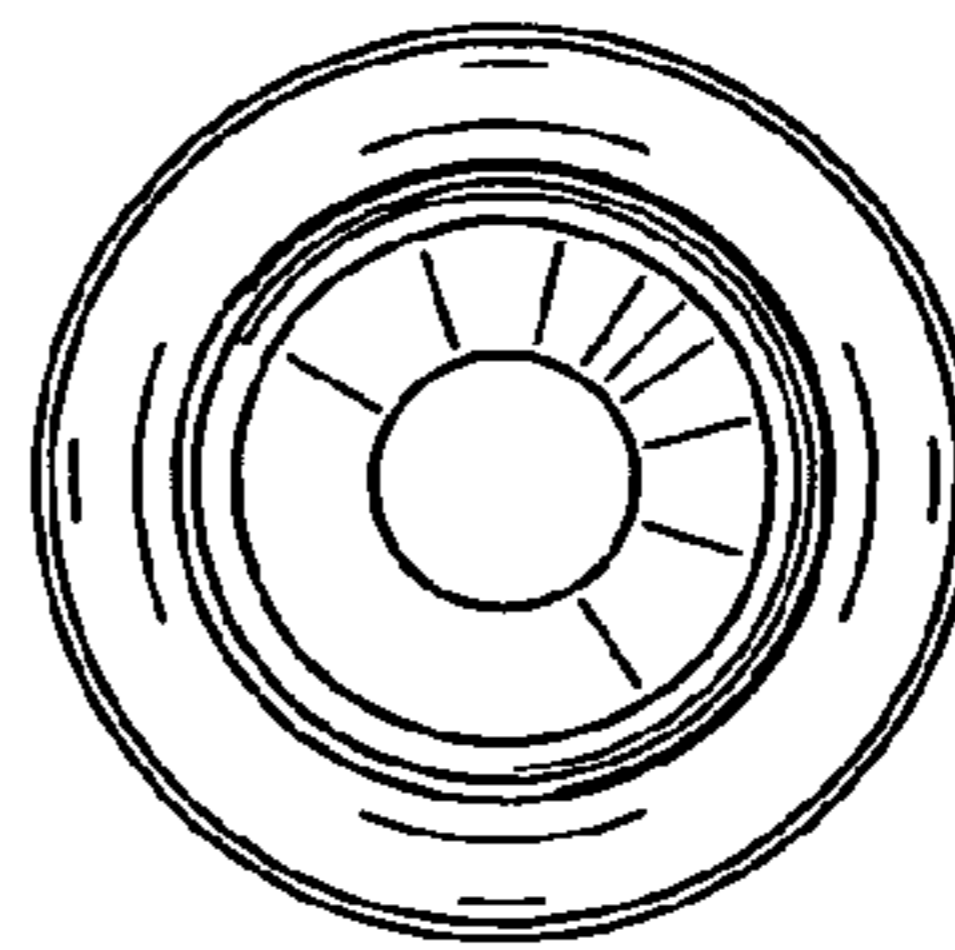


FIG. 3

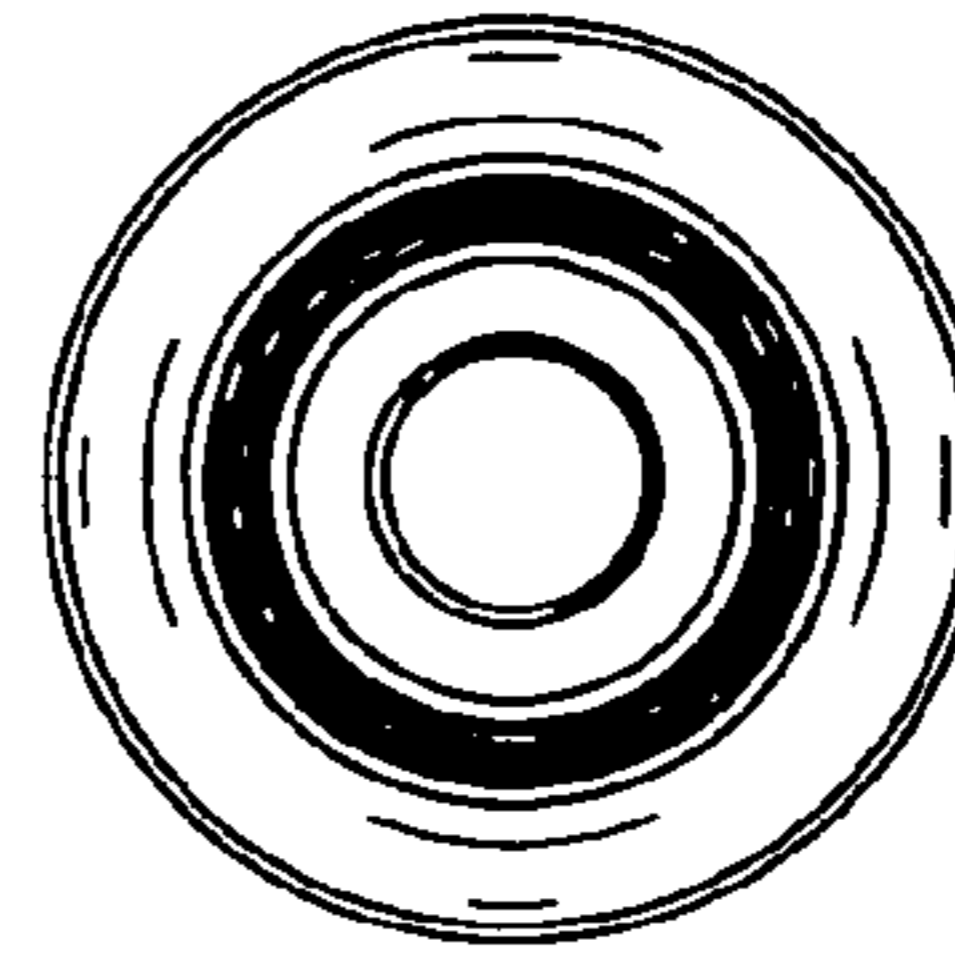


FIG. 4