



US00D691707S

(12) **United States Design Patent**  
**Flowers et al.**

(10) **Patent No.:** **US D691,707 S**

(45) **Date of Patent:** **\*\* \*Oct. 15, 2013**

(54) **VALVE**

D574,468 S \* 8/2008 Wolf ..... D23/254

(75) Inventors: **Paul Flowers**, Duesseldorf (DE); **Jochen Allard**, Menden (DE)

\* cited by examiner

(73) Assignee: **Grohe AG**, Hemer (DE)

*Primary Examiner* — Robert Delehanty

(\* ) Notice: This patent is subject to a terminal disclaimer.

(74) *Attorney, Agent, or Firm* — Muncy, Geissler, Olds & Lowe, PLLC

(\*\*) Term: **14 Years**

(57) **CLAIM**

The ornamental design for a valve, as shown and described.

(21) Appl. No.: **29/388,345**

**DESCRIPTION**

(22) Filed: **Mar. 28, 2011**

(51) **LOC (9) Cl.** ..... **23-01**

FIG. 1 is a left side elevational view of the valve of the present invention, the right side elevational view being a mirror image thereof.

(52) **U.S. Cl.**

USPC ..... **D23/252**; D23/254

FIG. 2 is a front elevational view of the valve of FIG. 1.

(58) **Field of Classification Search**

USPC ..... D23/250, 252, 254, 238–243;

FIG. 3 is a rear elevation view of the valve of FIG. 1.

4/676–677; 137/801, 359; D8/350–353

FIG. 4 is a top plan view of the valve of FIG. 1.

See application file for complete search history.

FIG. 5 is a bottom plan view of the valve of FIG. 1; and,

FIG. 6 is a three-quarter view of the valve of FIG. 1.

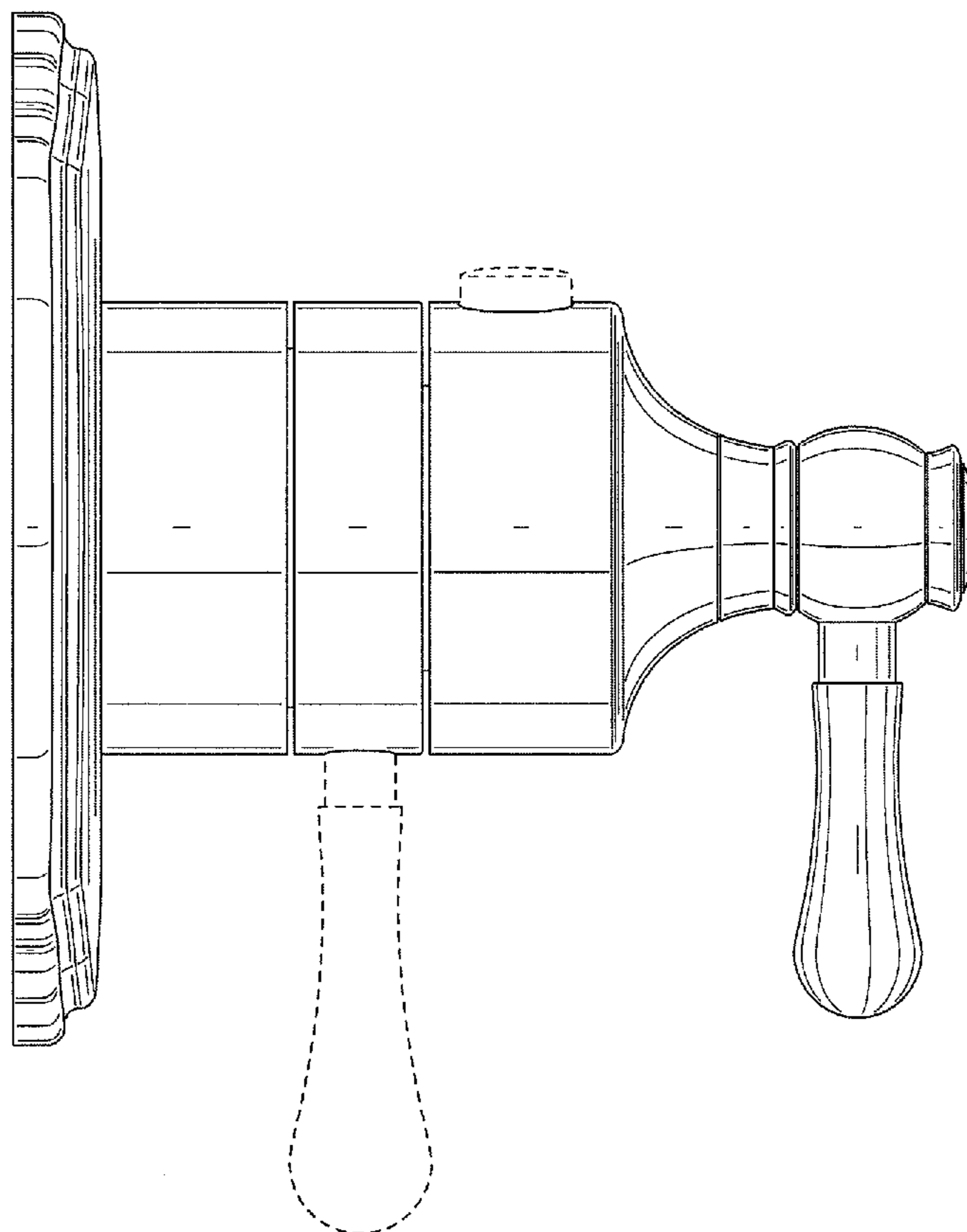
The dashed lines illustrate environment that does not form a part of the present invention, and no claim is made to the material illustrated with dashed lines.

(56) **References Cited**

**U.S. PATENT DOCUMENTS**

D459,445 S \* 6/2002 Mullenmeister ..... D23/254

**1 Claim, 6 Drawing Sheets**



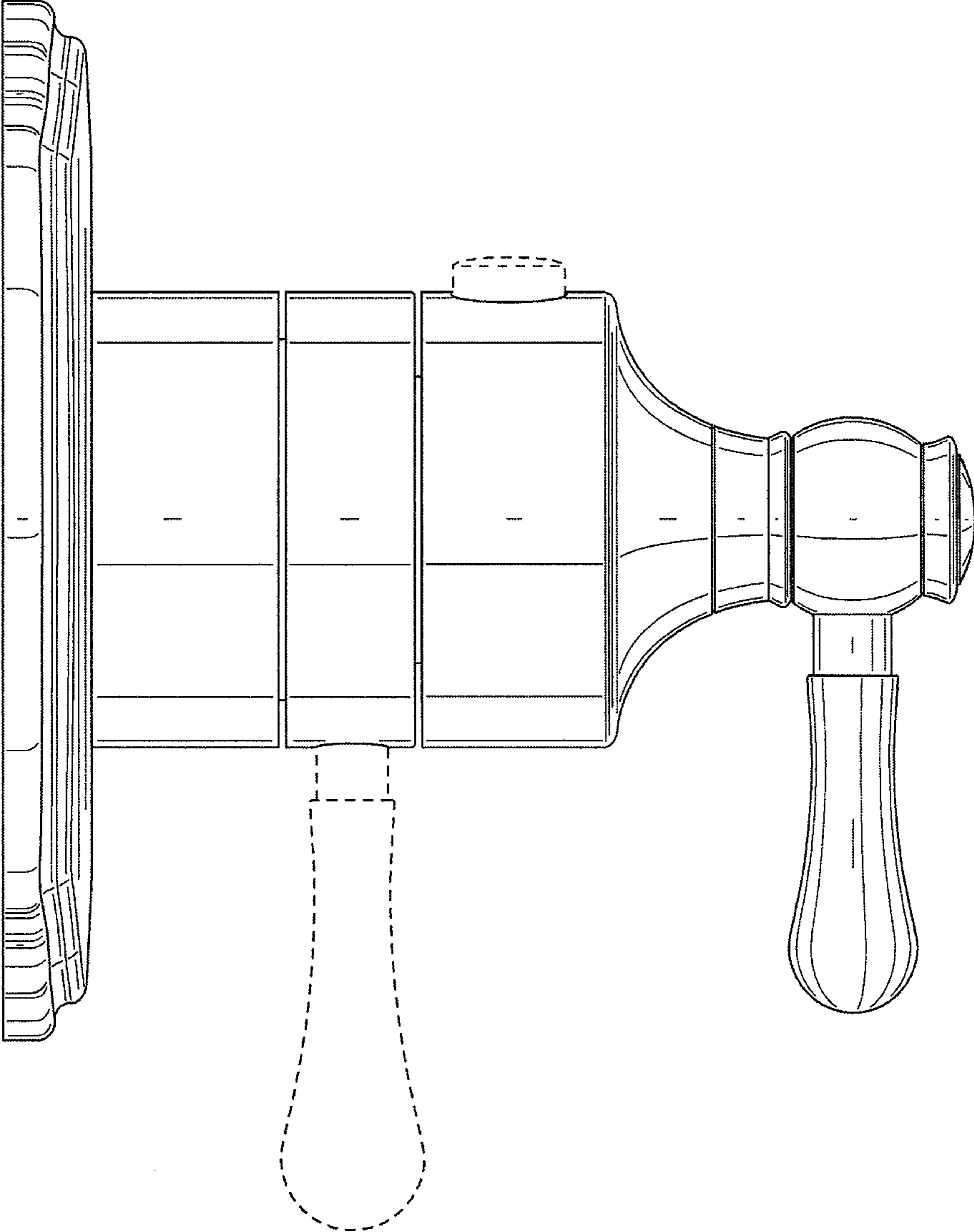


FIG. 1

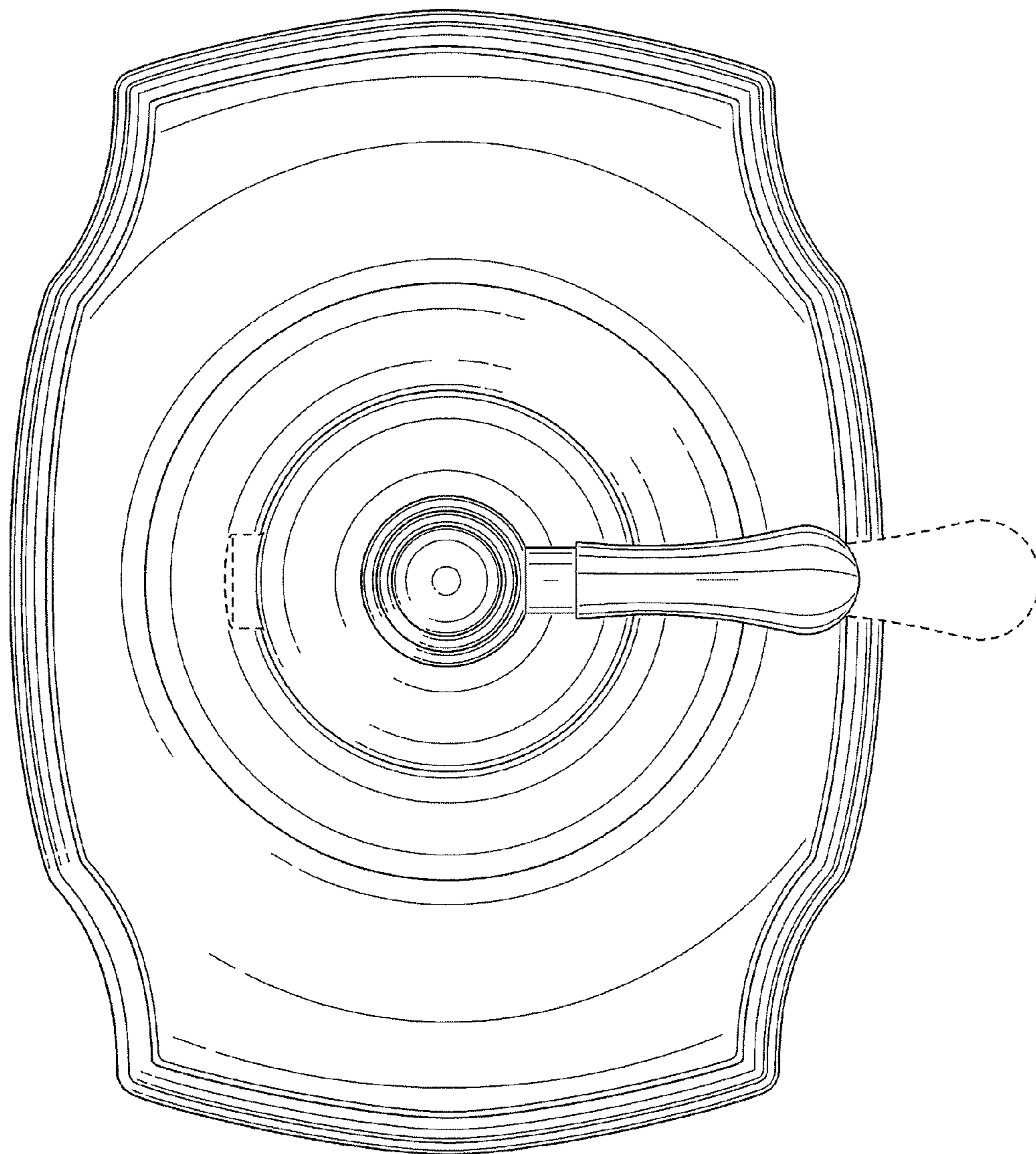


FIG. 2

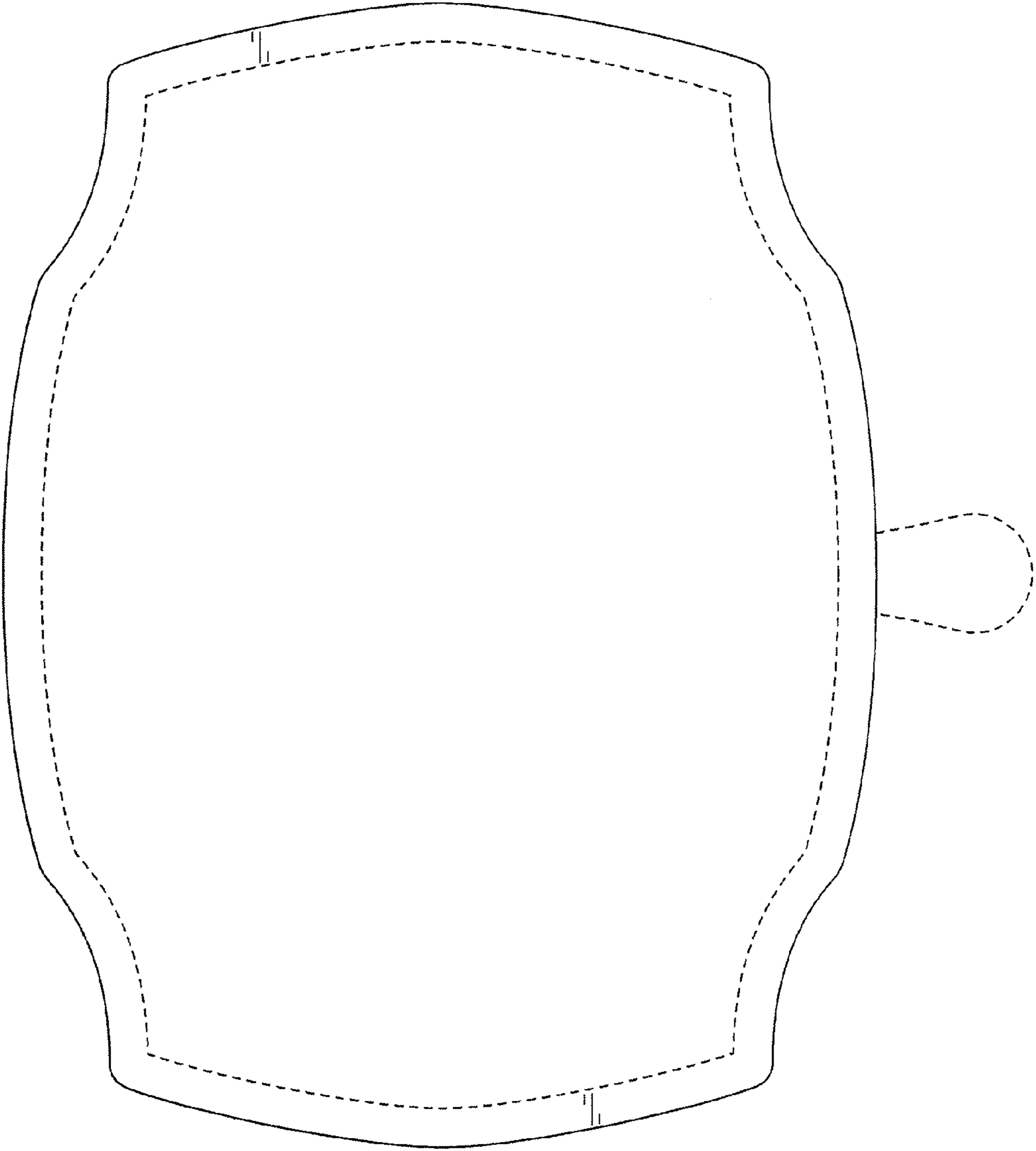


FIG. 3

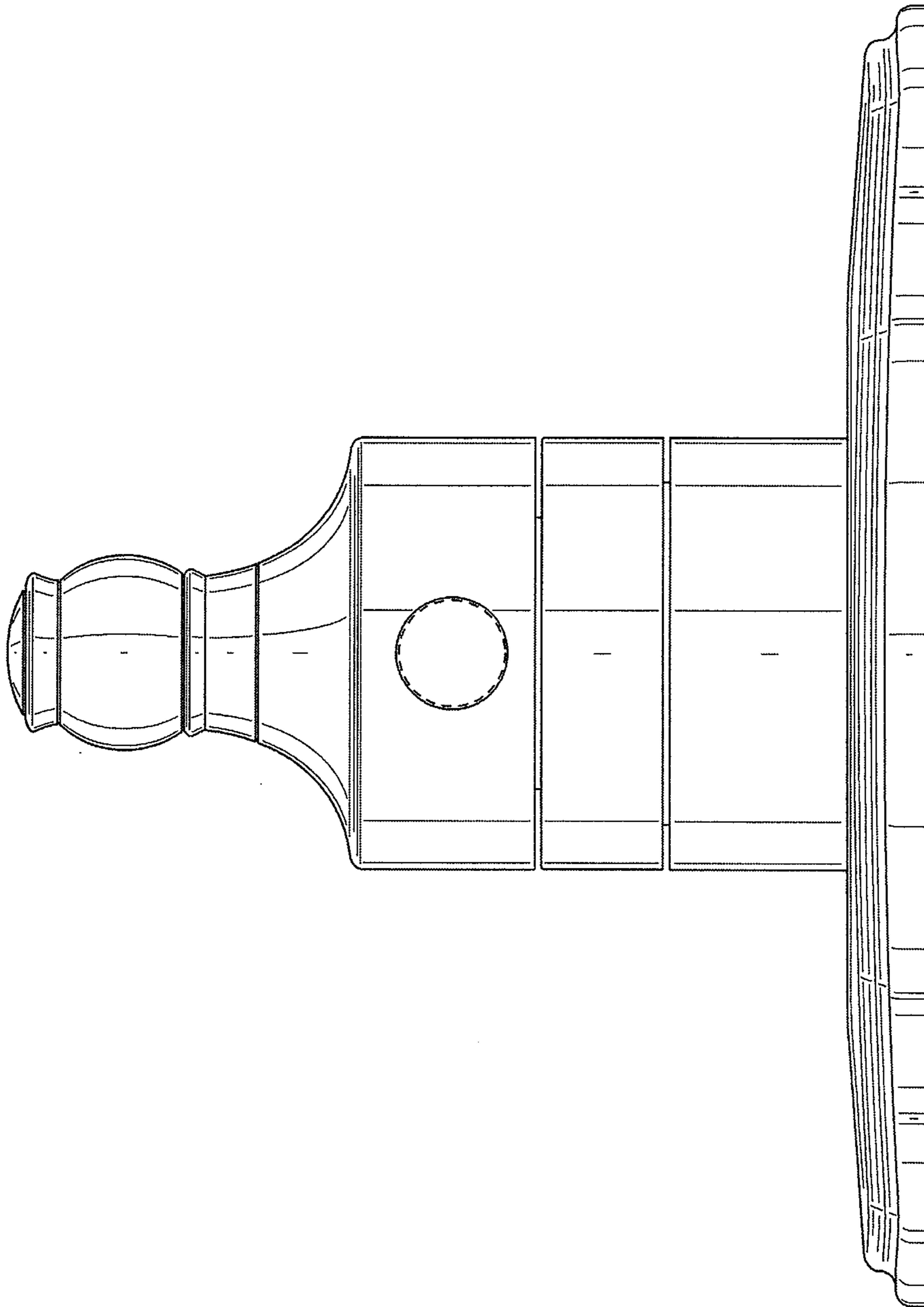


FIG. 4

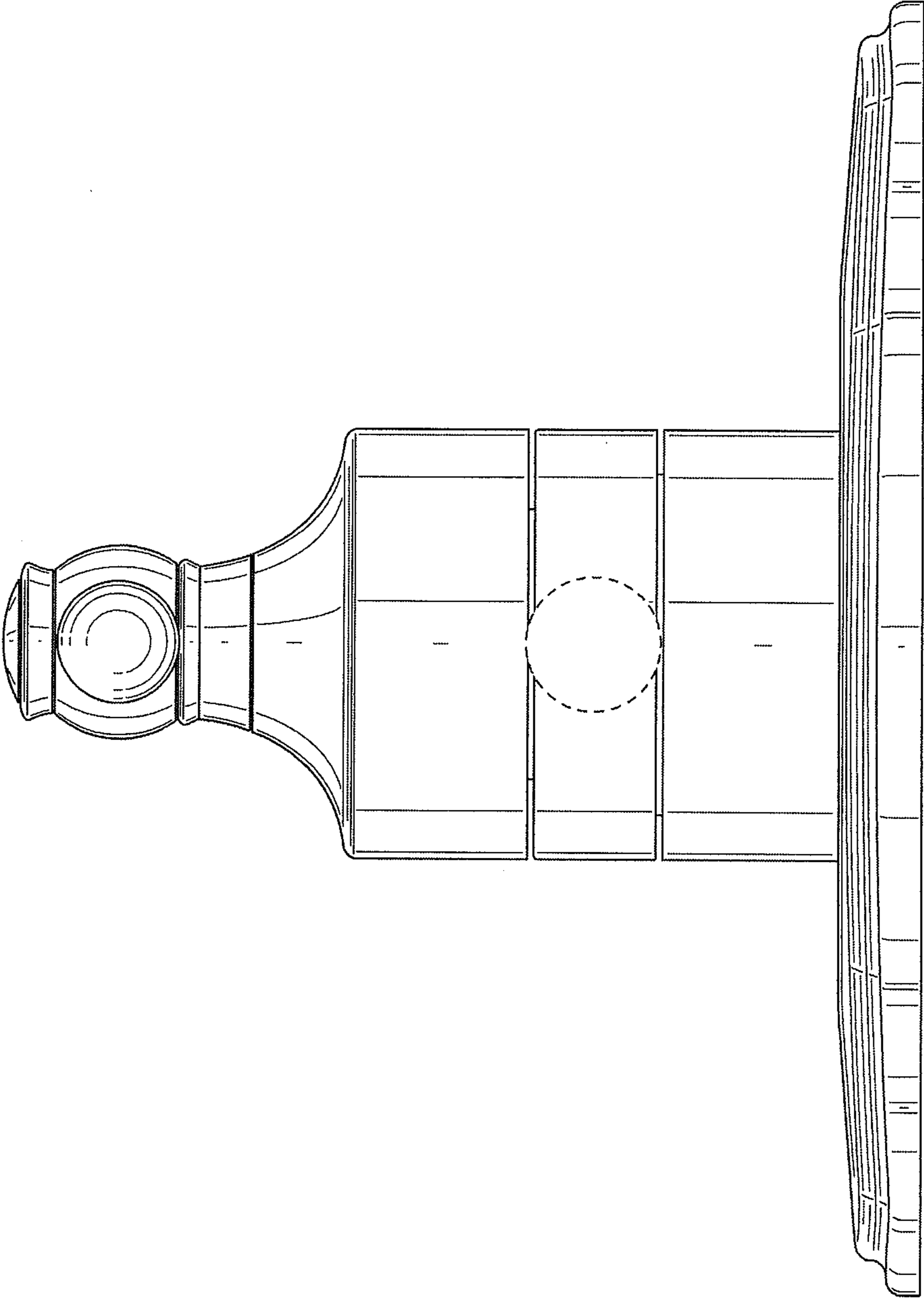


FIG. 5

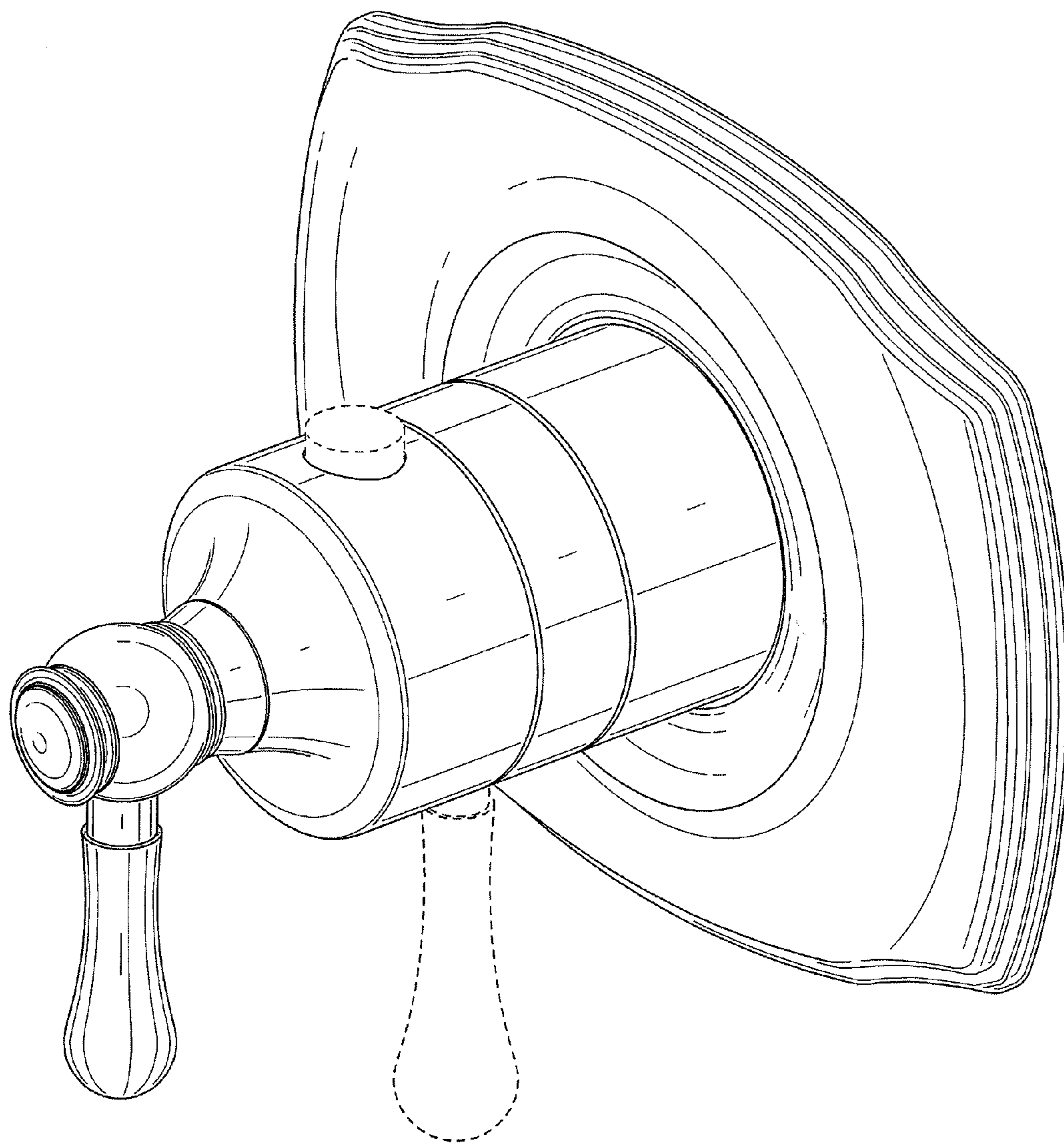


FIG. 6