



US00D691706S

(12) **United States Design Patent**  
**Metaxatos et al.**

(10) **Patent No.:** **US D691,706 S**  
(45) **Date of Patent:** **\*\* Oct. 15, 2013**

(54) **FAUCET**

(71) Applicant: **Emerson Electric Co.**, St. Louis, MO  
(US)

(72) Inventors: **Paul K. Metaxatos**, Swampscott, MA  
(US); **Steffen F. Koury**, Everett, MA  
(US); **Jules J. Ko**, Newton, MA (US);  
**Michelle M. Gross**, Muskego, WI (US);  
**Manivone Kitzke**, New Berlin, WI (US);  
**Matthew A. Schmitt**, Kenosha, WI  
(US); **Peter J. Loire**, Genoa, WI (US);  
**Ryan P. Carignan**, Oshkosh, WI (US)

(73) Assignee: **Emerson Electric Co.**, St. Louis, MO  
(US)

(\*\*) Term: **14 Years**

(21) Appl. No.: **29/438,946**

(22) Filed: **Dec. 5, 2012**

(51) **LOC (9) Cl.** ..... **23-01**

(52) **U.S. Cl.**  
USPC ..... **D23/238**

(58) **Field of Classification Search**  
USPC ..... D23/238, 250, 255, 257; 4/675-678;  
137/801

See application file for complete search history.

(56) **References Cited**

U.S. PATENT DOCUMENTS

D364,214	S	*	11/1995	Lobermeier	.....	D23/238
D389,897	S	*	1/1998	Delker	.....	D23/238
D441,426	S	*	5/2001	Lim	.....	D23/238
D524,417	S	*	7/2006	Kulig	.....	D23/238
D540,436	S	*	4/2007	Massaud	.....	D23/252
D616,531	S	*	5/2010	Gilbert	.....	D23/250

\* cited by examiner

*Primary Examiner* — Robert Delehanty

(74) *Attorney, Agent, or Firm* — Harness, Dickey & Pierce,  
P.L.C.

(57) **CLAIM**

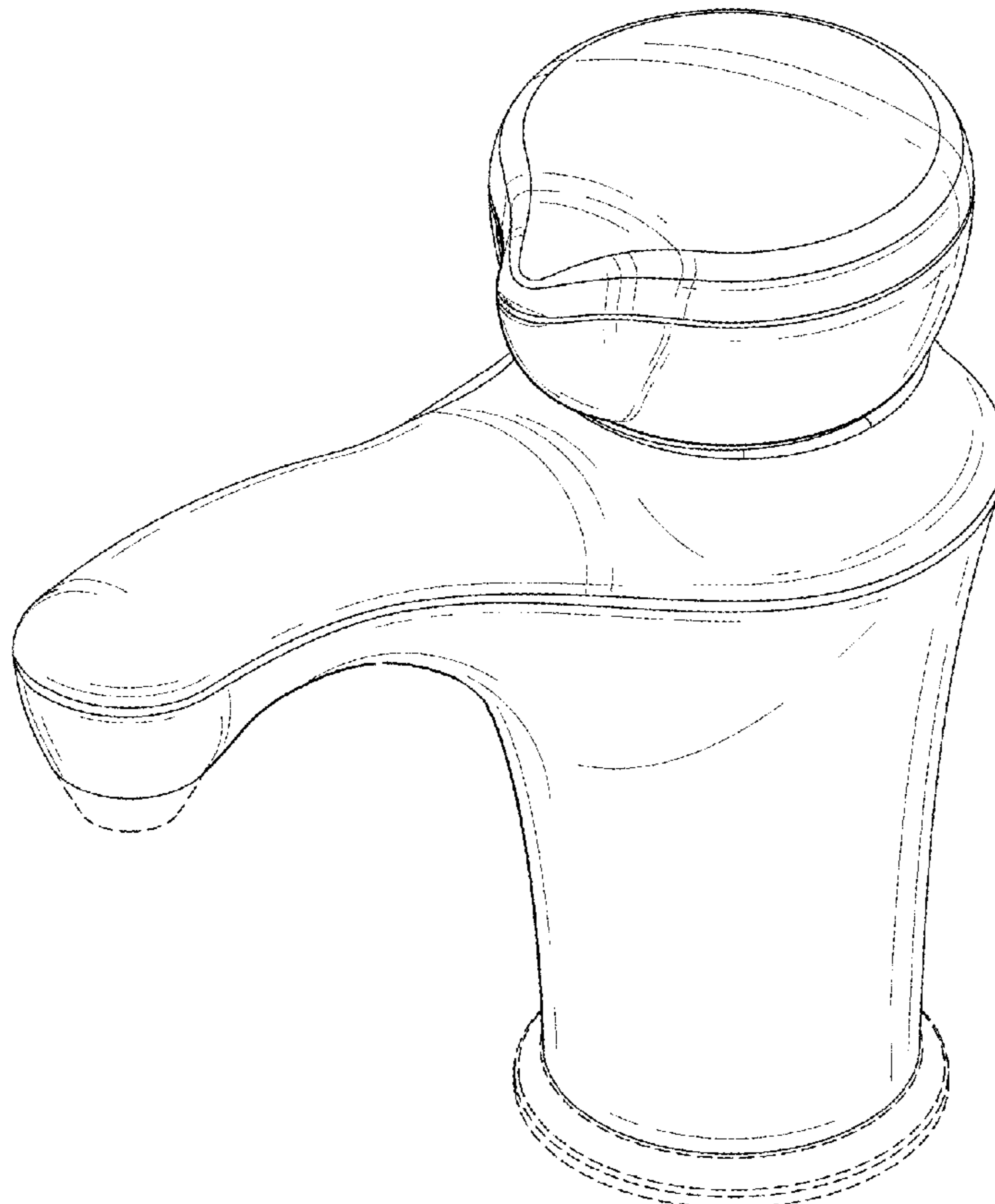
The ornamental design for a faucet, as shown and described.

**DESCRIPTION**

FIG. 1 is a perspective view of a faucet;  
FIG. 2 is a front elevational view;  
FIG. 3 is a rear elevational view;  
FIG. 4 is a top plan view;  
FIG. 5 is a bottom plan view; and,  
FIG. 6 is an elevational view, as viewed from the right and left  
side.

The broken lines in all views are for the purpose of illustration  
and are not part of the claimed design.

**1 Claim, 4 Drawing Sheets**



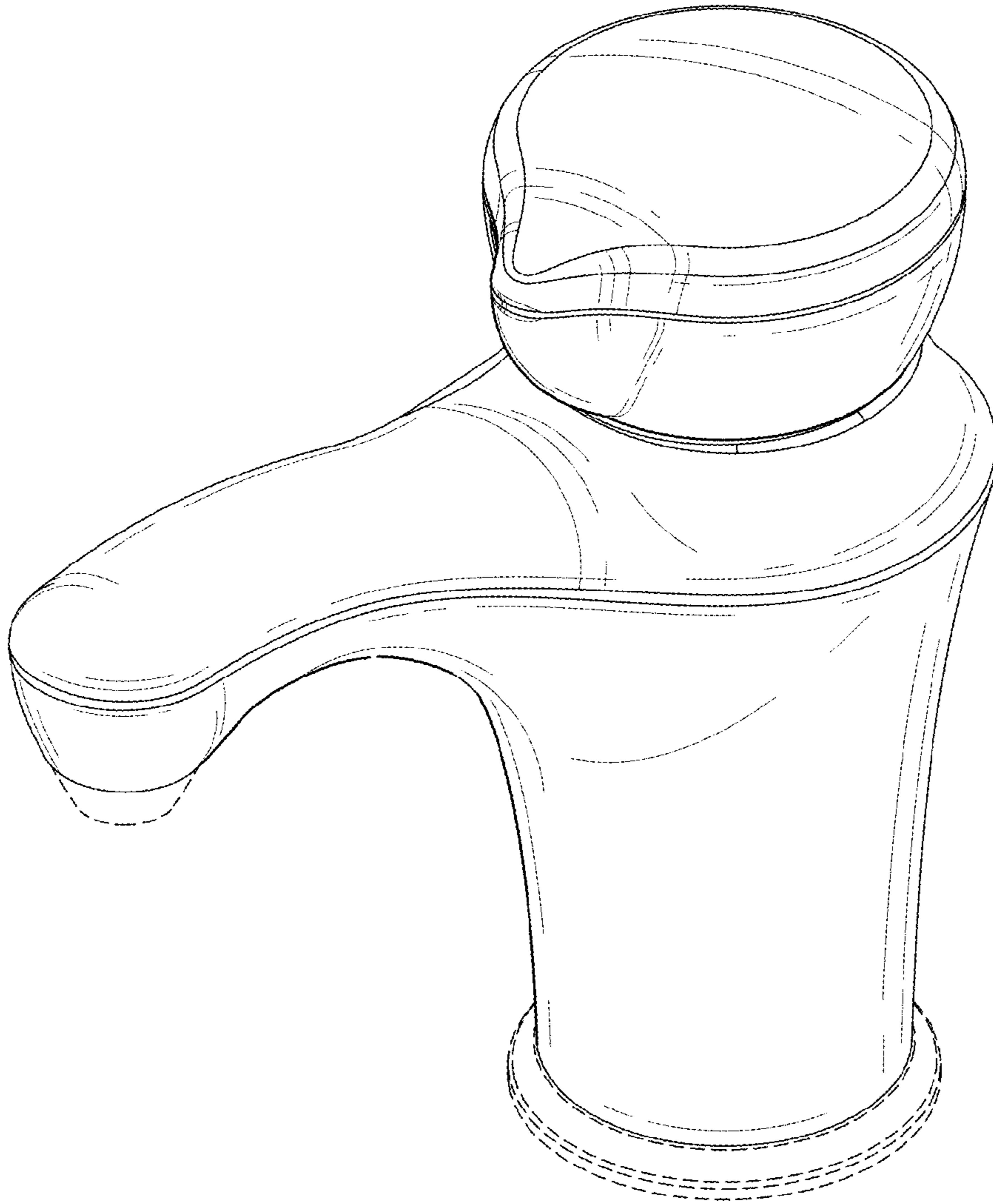


Fig-1

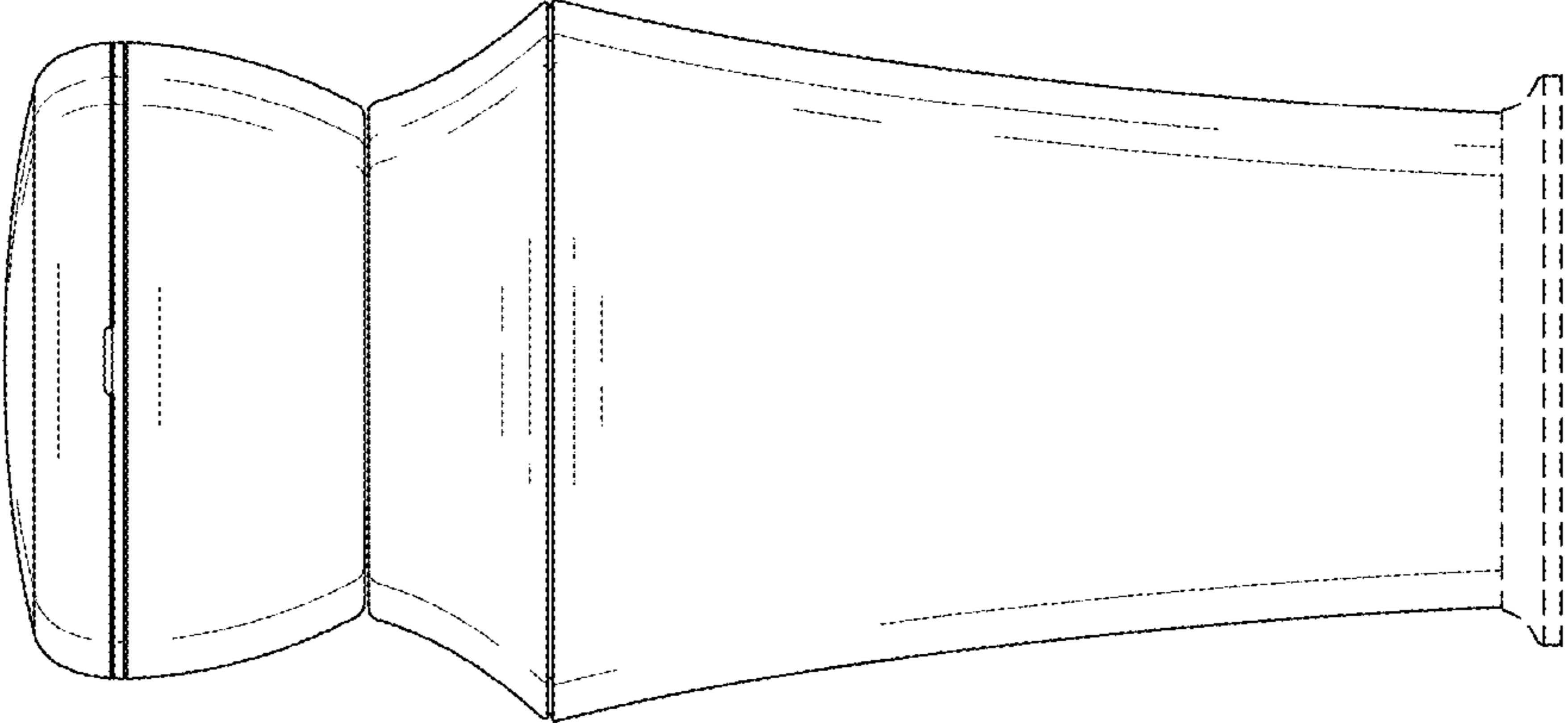


Fig-3

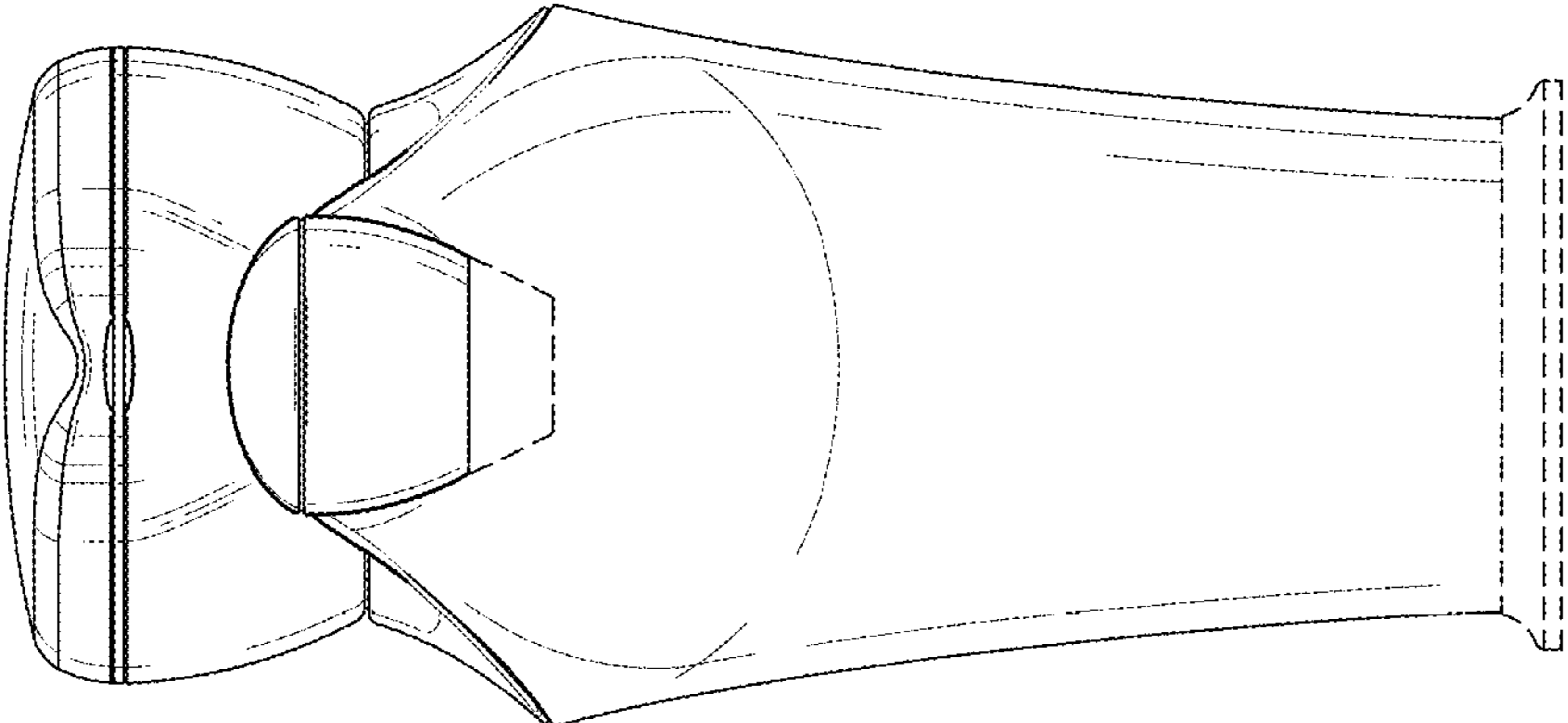


Fig-2

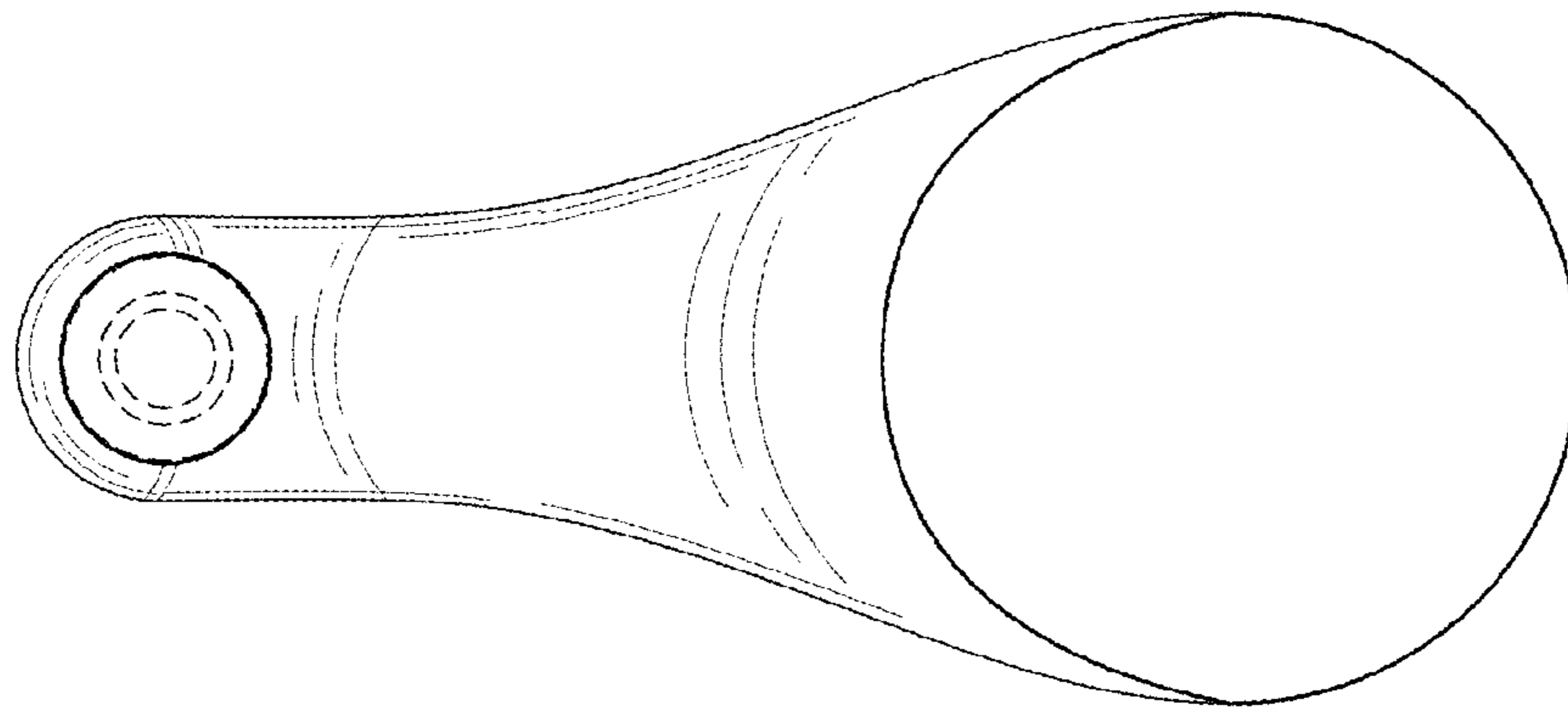


Fig-5

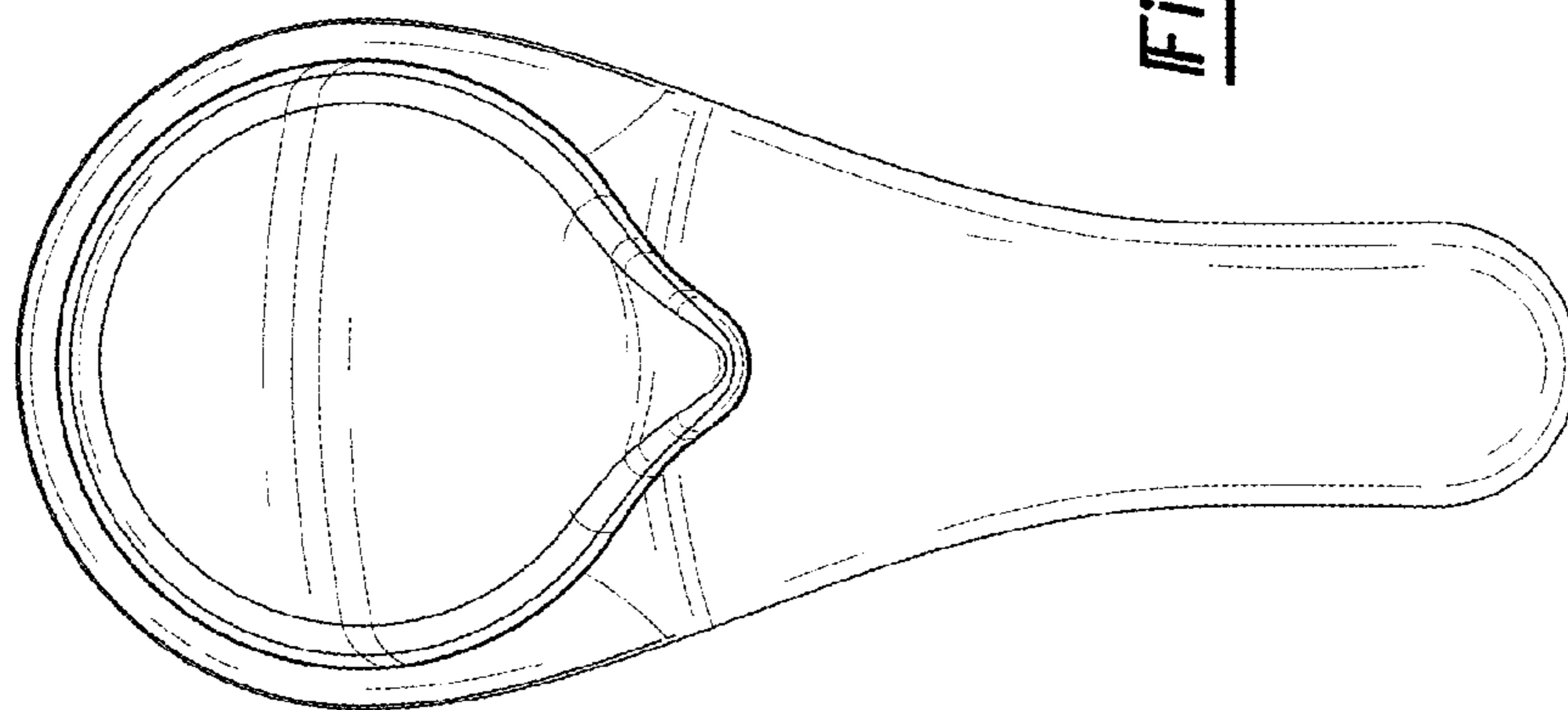


Fig-4

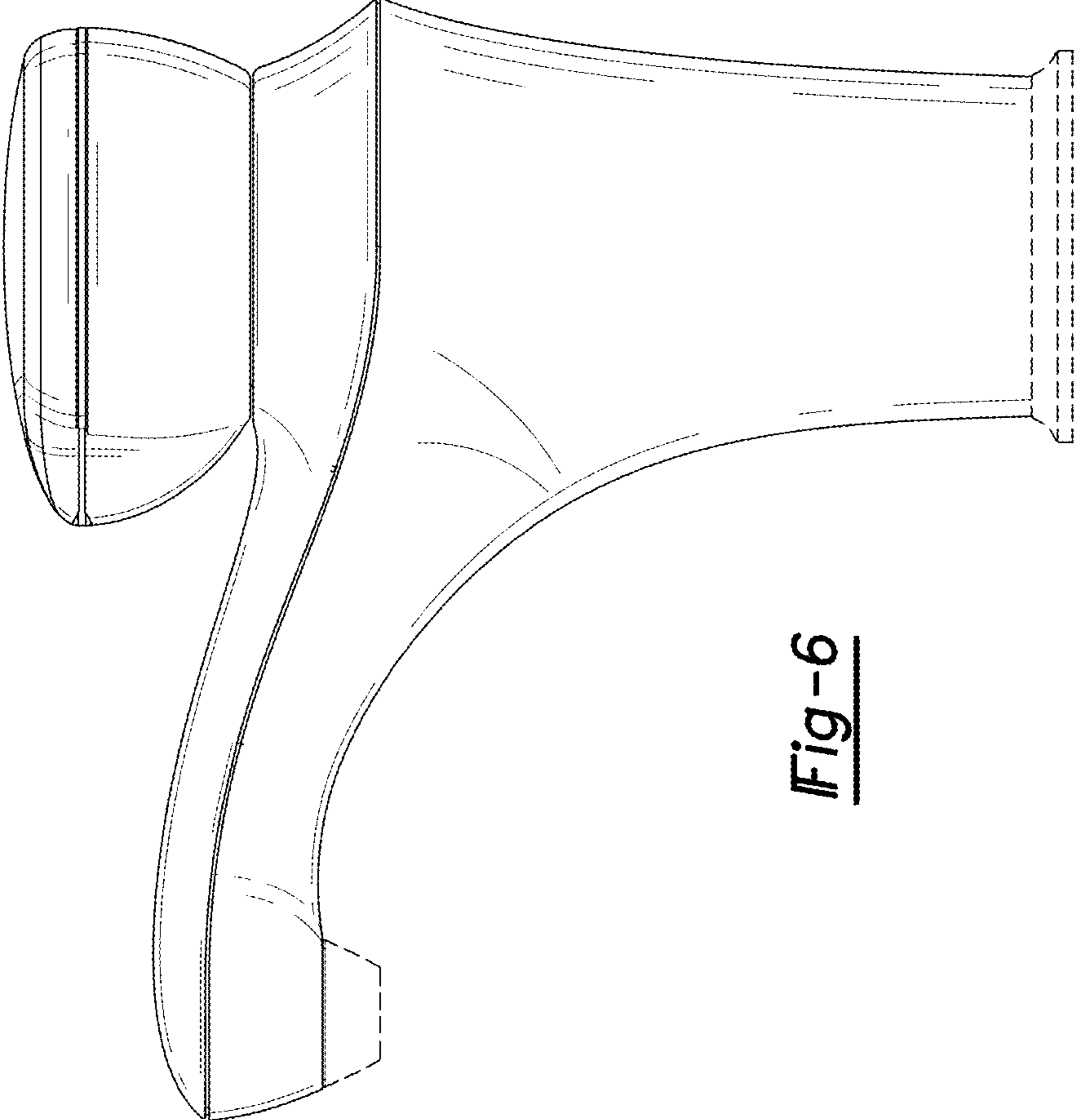


Fig-6