



US00D691705S

(12) **United States Design Patent**
Metaxatos et al.

(10) **Patent No.:** **US D691,705 S**
(45) **Date of Patent:** **** Oct. 15, 2013**

(54) **FAUCET**

(71) Applicant: **Emerson Electric Co.**, St. Louis, MO (US)
(72) Inventors: **Paul K. Metaxatos**, Swampscott, MA (US); **Steffen F. Koury**, Everett, MA (US); **Jules J. Ko**, Newton, MA (US); **Michelle M. Gross**, Muskego, WI (US); **Manivone Kitzke**, New Berlin, WI (US); **Matthew A. Schmitt**, Kenosha, WI (US); **Peter J. Loire**, Genoa, WI (US); **Ryan P. Carignan**, Oshkosh, WI (US)
(73) Assignee: **Emerson Electric Co.**, St. Louis, MO (US)

(**) Term: **14 Years**

(21) Appl. No.: **29/438,944**

(22) Filed: **Dec. 5, 2012**

(51) **LOC (9) Cl.** **23-01**

(52) **U.S. Cl.**
USPC **D23/238**

(58) **Field of Classification Search**
USPC D23/238, 241-243, 250, 254.255,
D23/257; 4/675-678; 137/801

See application file for complete search history.

(56) **References Cited**

U.S. PATENT DOCUMENTS

D193,604 S *	9/1962	Ziegler	D23/238
D364,214 S *	11/1995	Lobermeier	D23/238
D441,426 S *	5/2001	Lim	D23/238
D443,032 S *	5/2001	Milrud et al.	D23/250

* cited by examiner

Primary Examiner — Robert Delehanty

(57) **CLAIM**

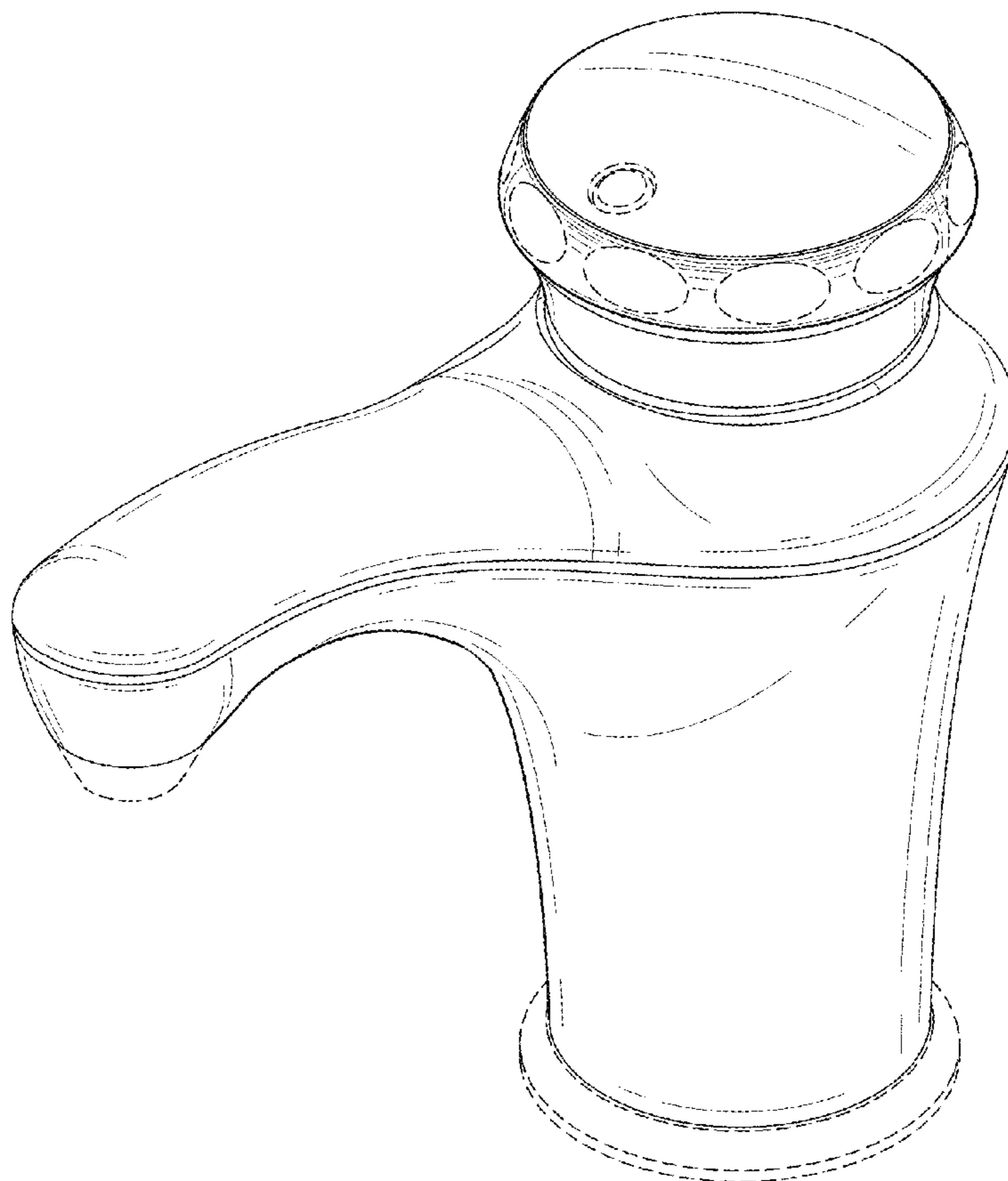
The ornamental design for a faucet, as shown and described.

DESCRIPTION

FIG. 1 is a perspective view of a faucet;
FIG. 2 is a front elevational view;
FIG. 3 is a rear elevational view;
FIG. 4 is a top plan view;
FIG. 5 is a bottom plan view; and,
FIG. 6 is an elevational view, as viewed from the right and left side.

The broken lines in all views are for the purpose of illustration and are not part of the claimed design.

1 Claim, 4 Drawing Sheets



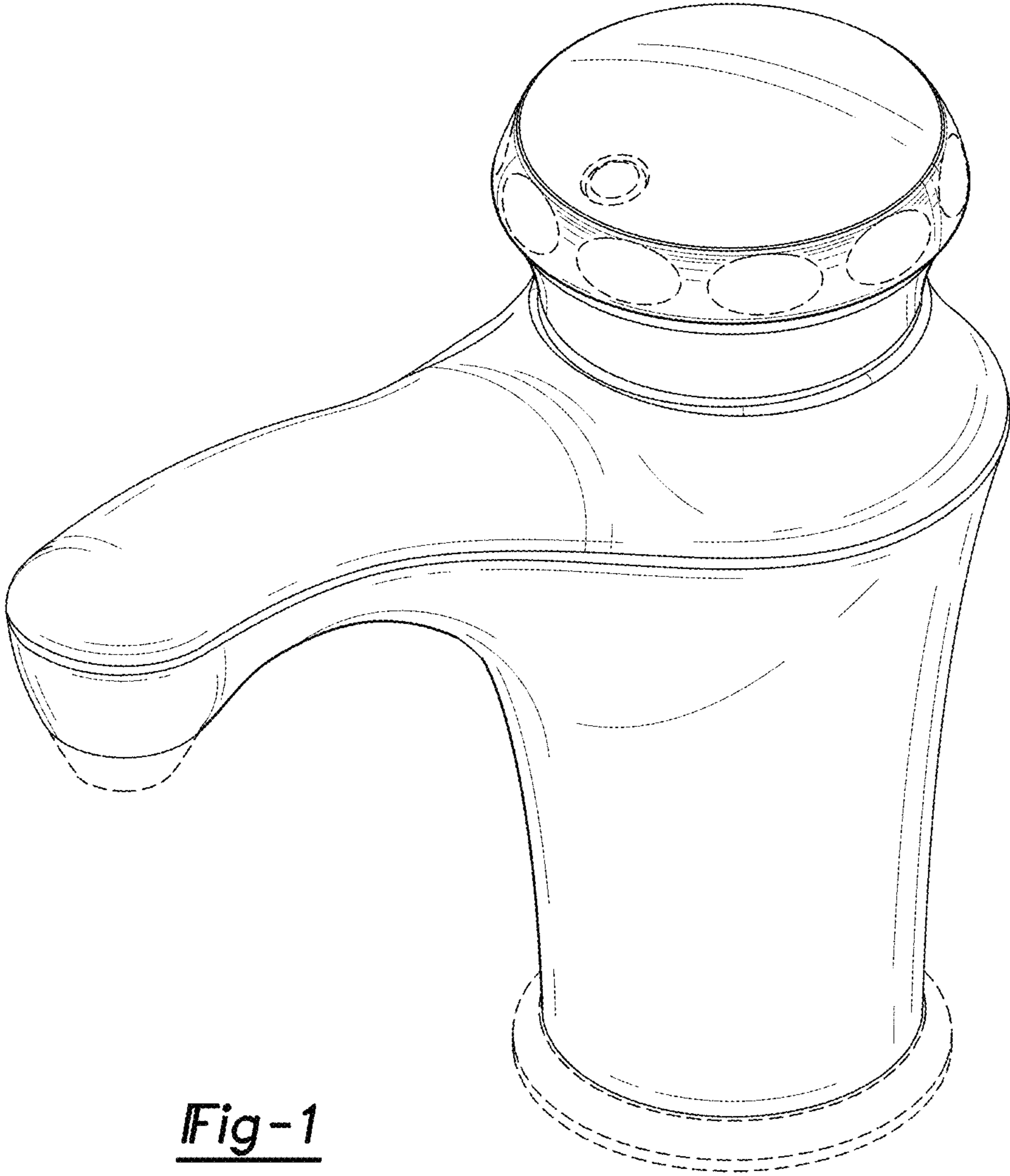


Fig-1

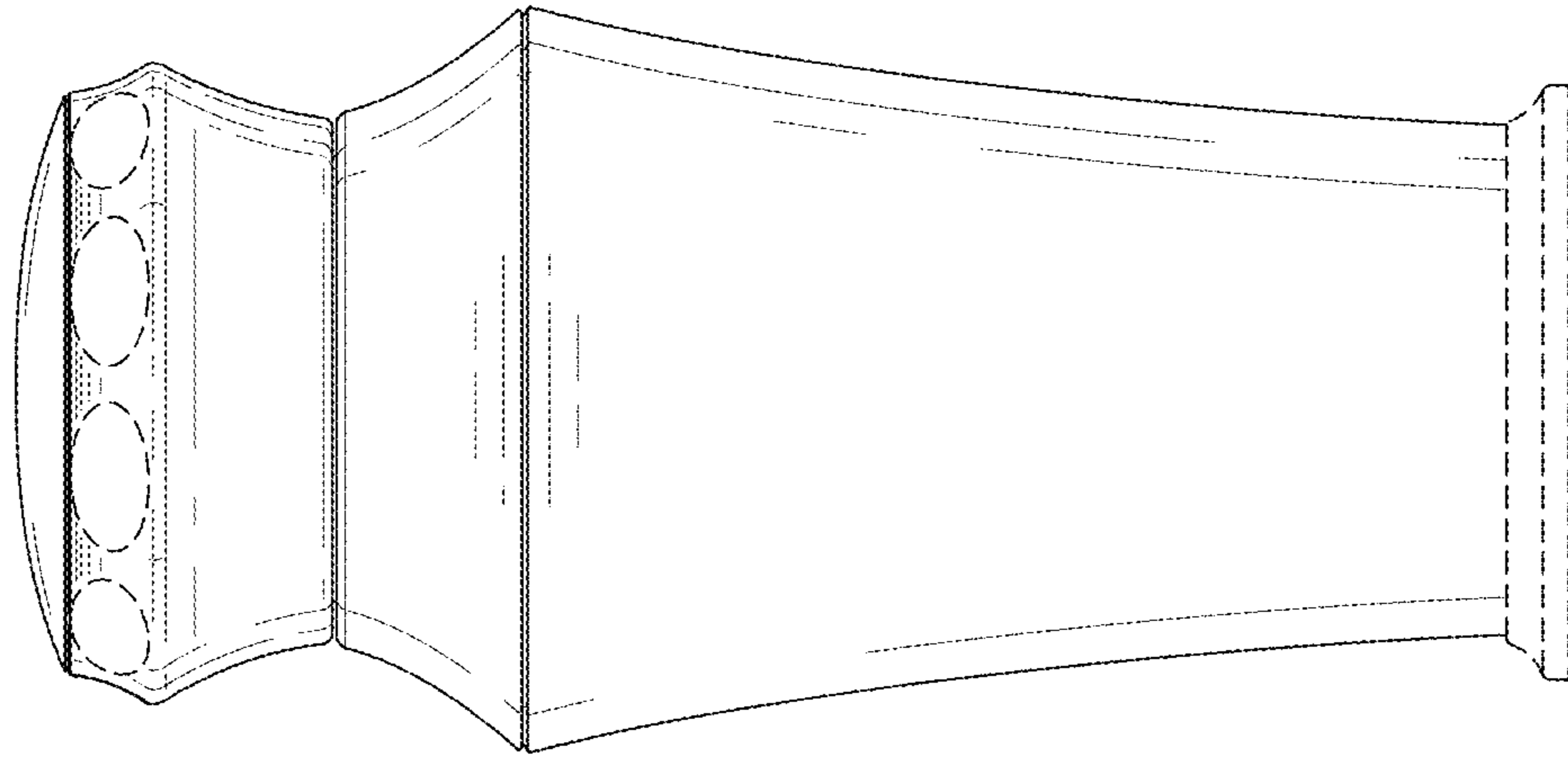


Fig-3

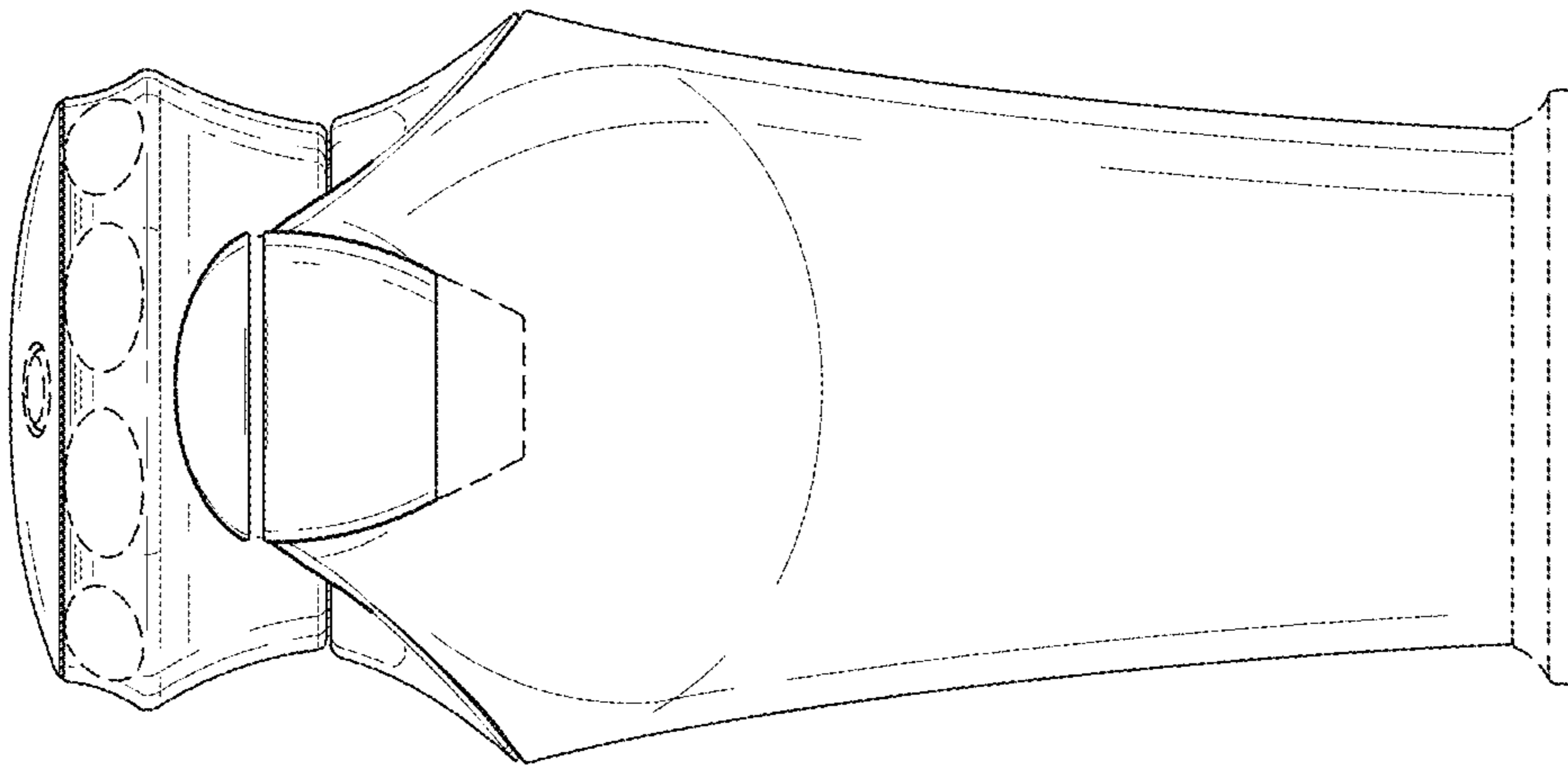


Fig-2

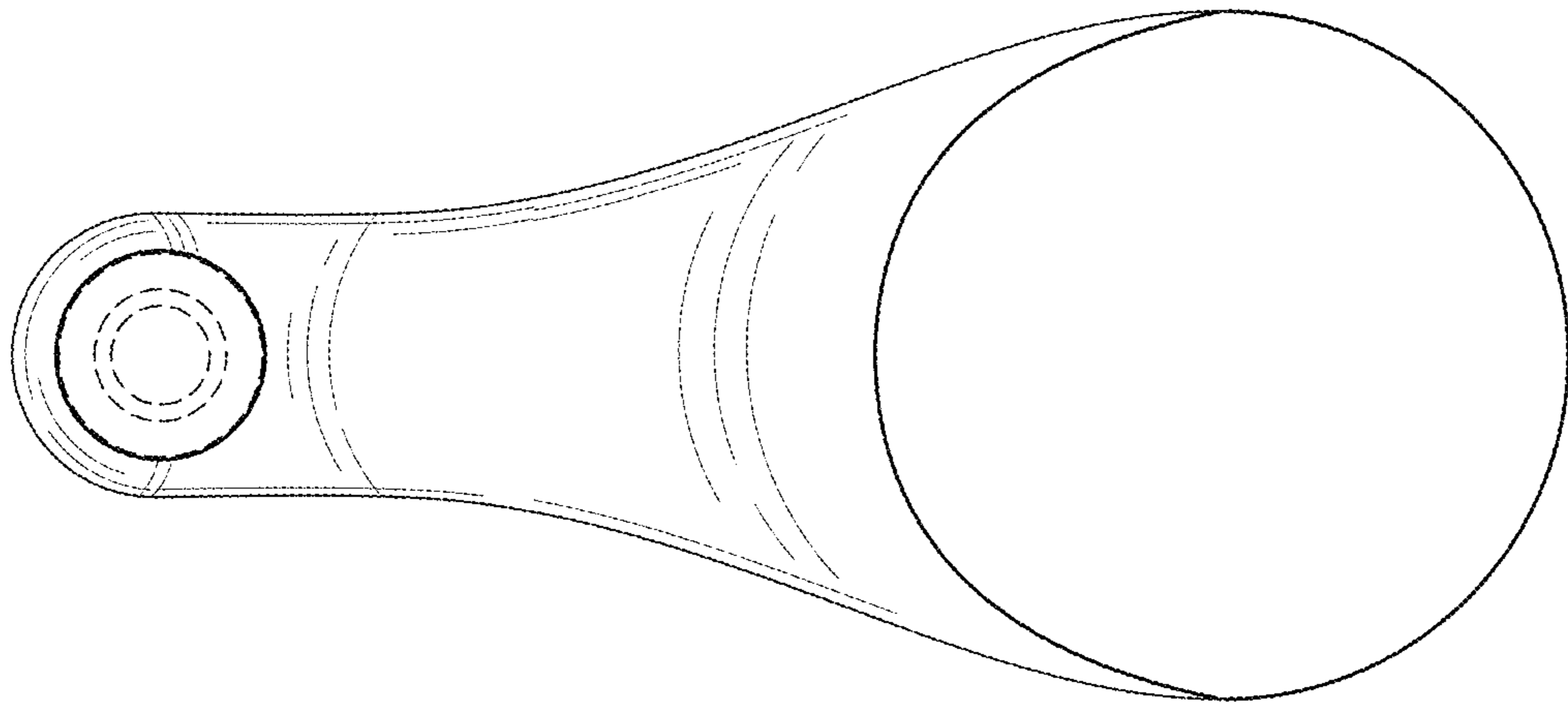


Fig-5

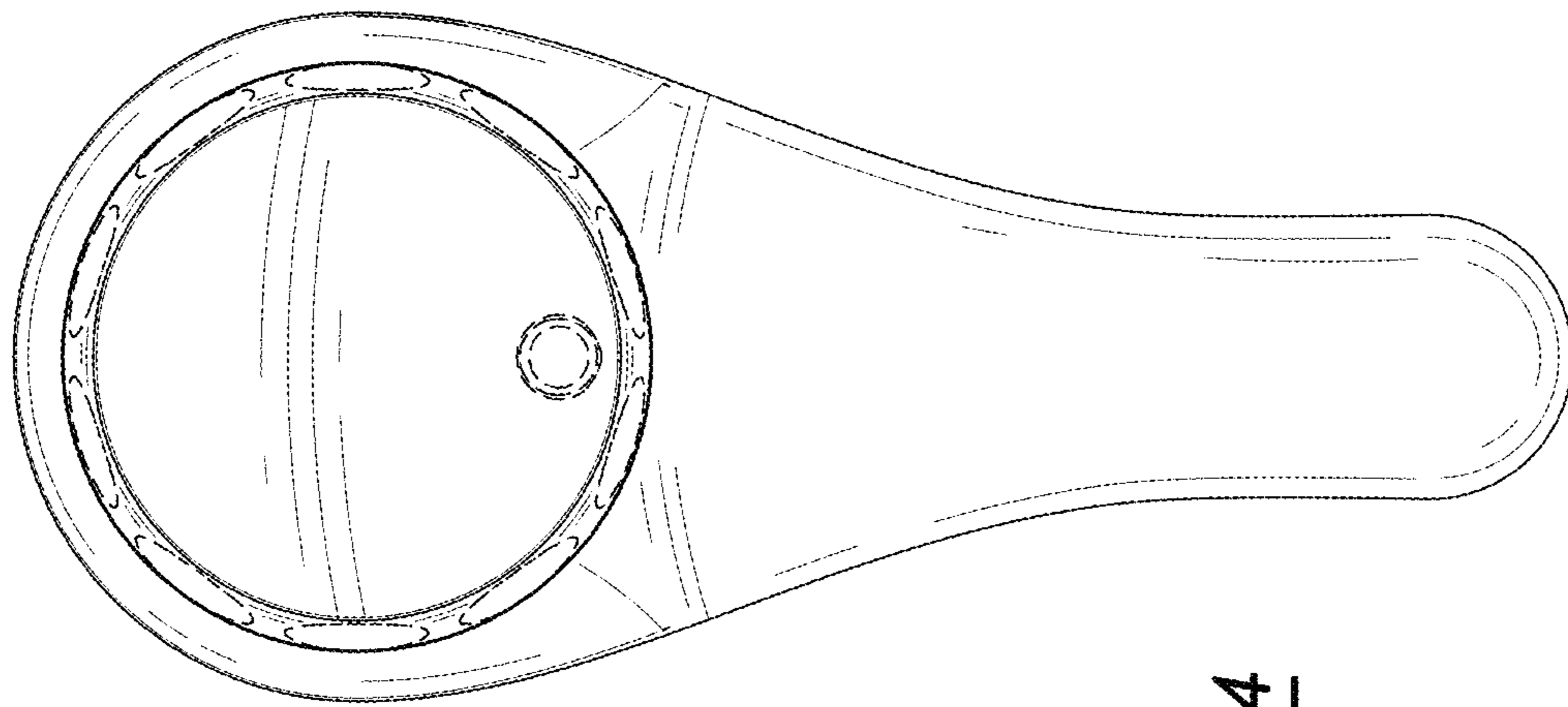


Fig-4

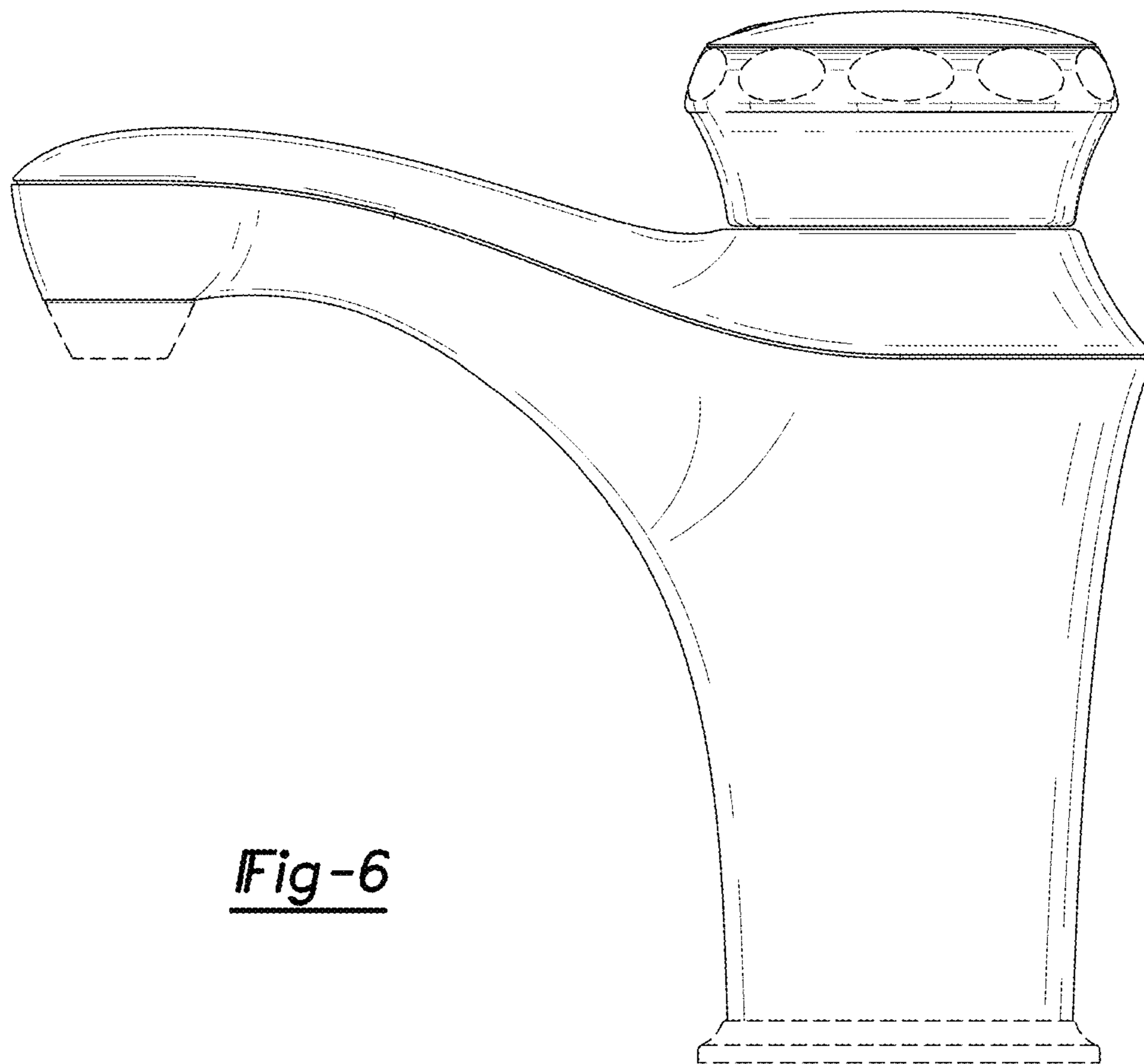


Fig-6