

US00D691704S

(12) **United States Design Patent**
Flowers et al.

(10) **Patent No.:** **US D691,704 S**
(45) **Date of Patent:** **** Oct. 15, 2013**

(54) **FAUCET**

(75) Inventors: **Paul Flowers**, Duesseldorf (DE); **Ralf Begerow**, Hemer (DE)

(73) Assignee: **Grohe AG**, Hemer (DE)

(**) Term: **14 Years**

(21) Appl. No.: **29/423,421**

(22) Filed: **May 31, 2012**

(30) **Foreign Application Priority Data**

Dec. 7, 2011 (EM) 001958943-0001

(51) **LOC (9) Cl.** **23-01**

(52) **U.S. Cl.**
USPC **D23/238**

(58) **Field of Classification Search**
USPC D23/238, 241–243, 250, 252, 255,
D23/257; 4/675–678; 137/801
See application file for complete search history.

(56) **References Cited**

U.S. PATENT DOCUMENTS

D331,275 S * 11/1992 Knapp D23/238
D428,965 S * 8/2000 Slothower D23/238

D440,634 S * 4/2001 Fleischmann D23/241
D527,076 S * 8/2006 Kolin et al. D23/241
D534,245 S * 12/2006 Egli et al. D23/238
D626,198 S * 10/2010 Lammel et al. D23/238

FOREIGN PATENT DOCUMENTS

EM 001636366-0002 11/2010

* cited by examiner

Primary Examiner — Robert Delehanty

(74) *Attorney, Agent, or Firm* — Muncy, Geissler, Olds & Lowe, PLLC

(57) **CLAIM**

The ornamental design for a faucet, as shown and described.

DESCRIPTION

FIG. 1 is a left side elevational view of a faucet according to the present invention.

FIG. 2 is a right side elevational view of the faucet of FIG. 1.

FIG. 3 is a front elevational view of the faucet of FIG. 1.

FIG. 4 is a rear elevational view of the faucet of FIG. 1.

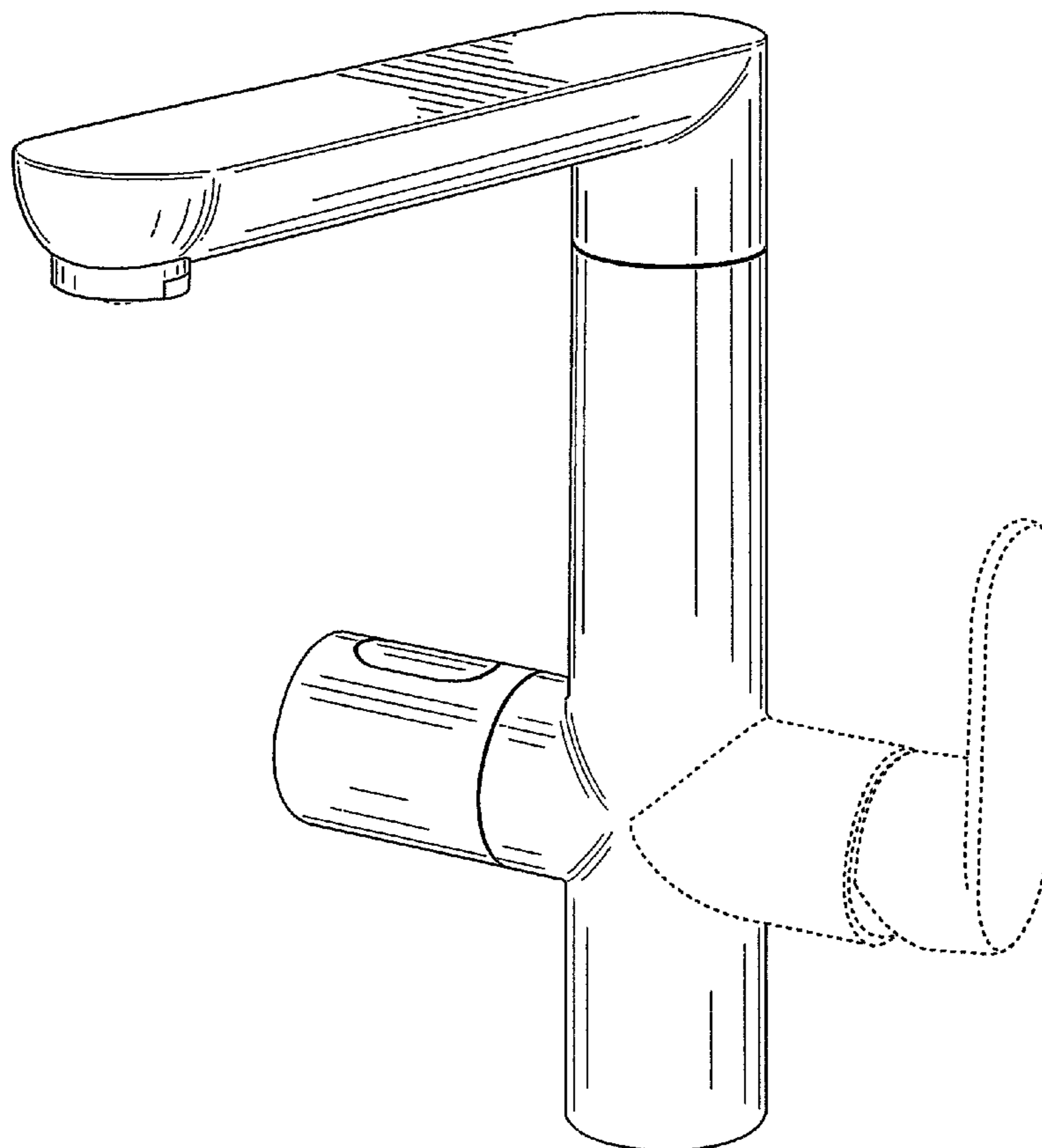
FIG. 5 is a top plan view of the faucet of FIG. 1.

FIG. 6 is a bottom plan view of the faucet of FIG. 1; and,

FIG. 7 is a perspective view of the faucet of FIG. 1.

The dashed lines illustrate environment that does not form a part of the present invention, and no claim is made to the material illustrated with dashed lines.

1 Claim, 7 Drawing Sheets



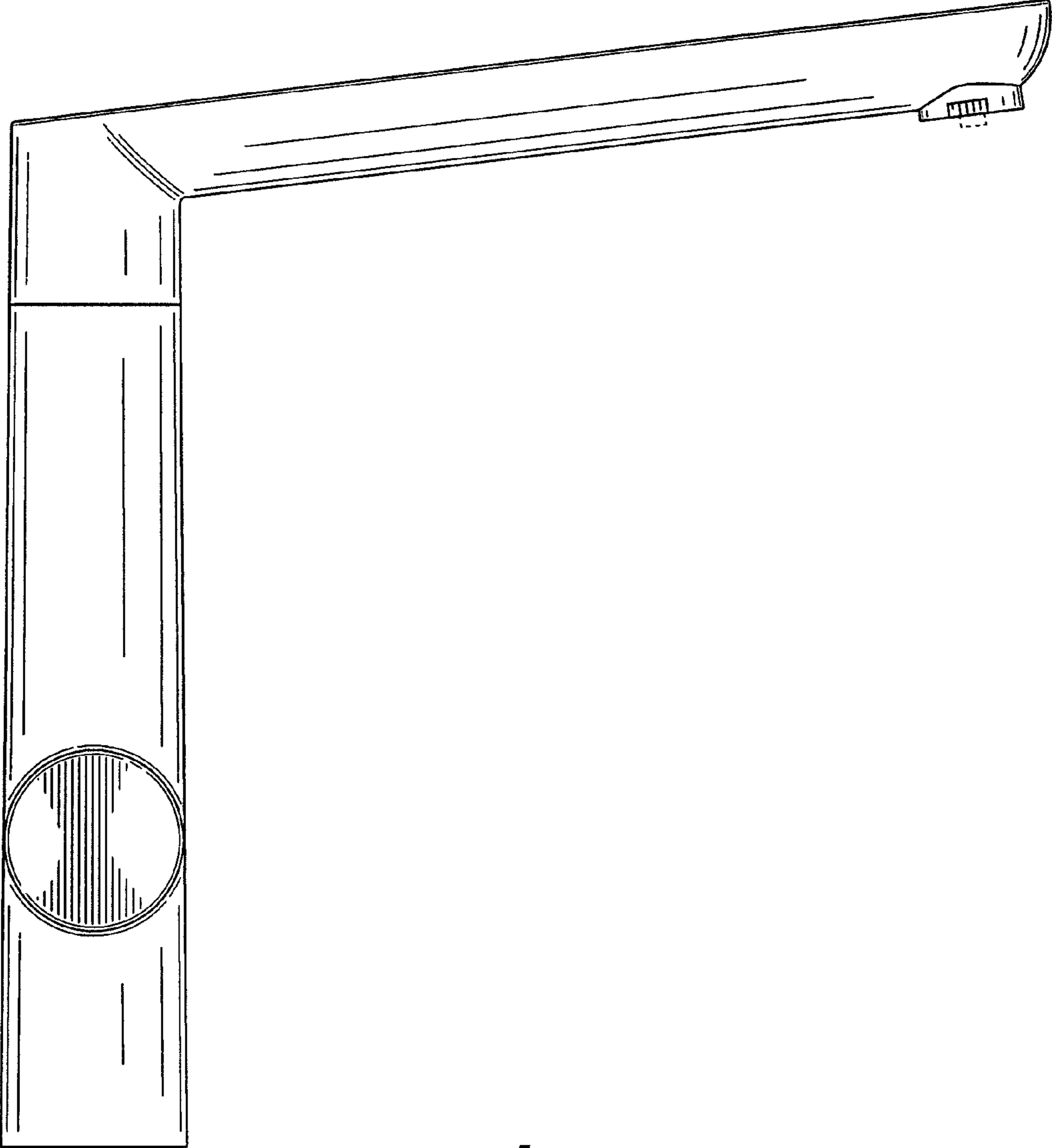


FIG. 1

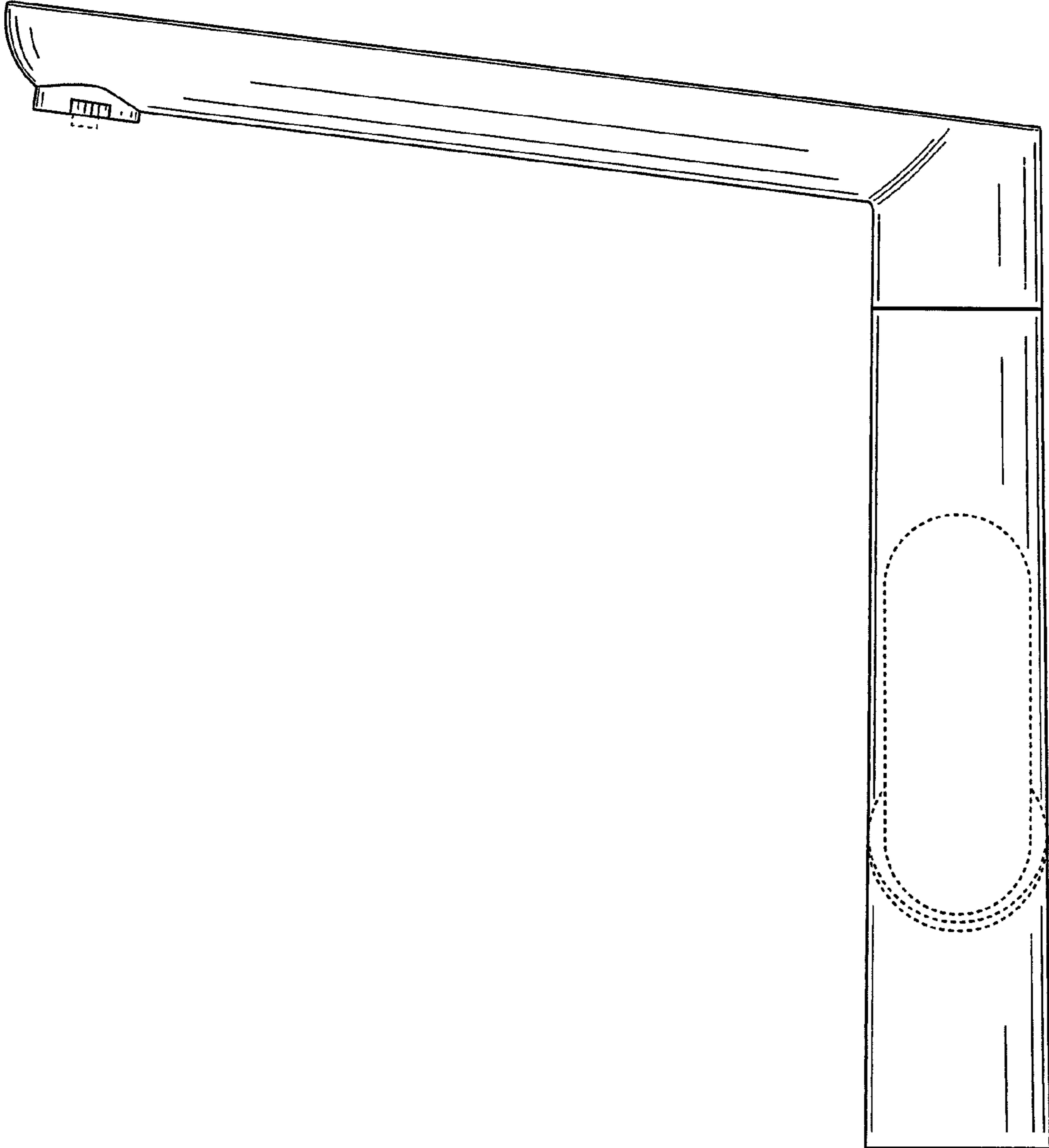


FIG. 2

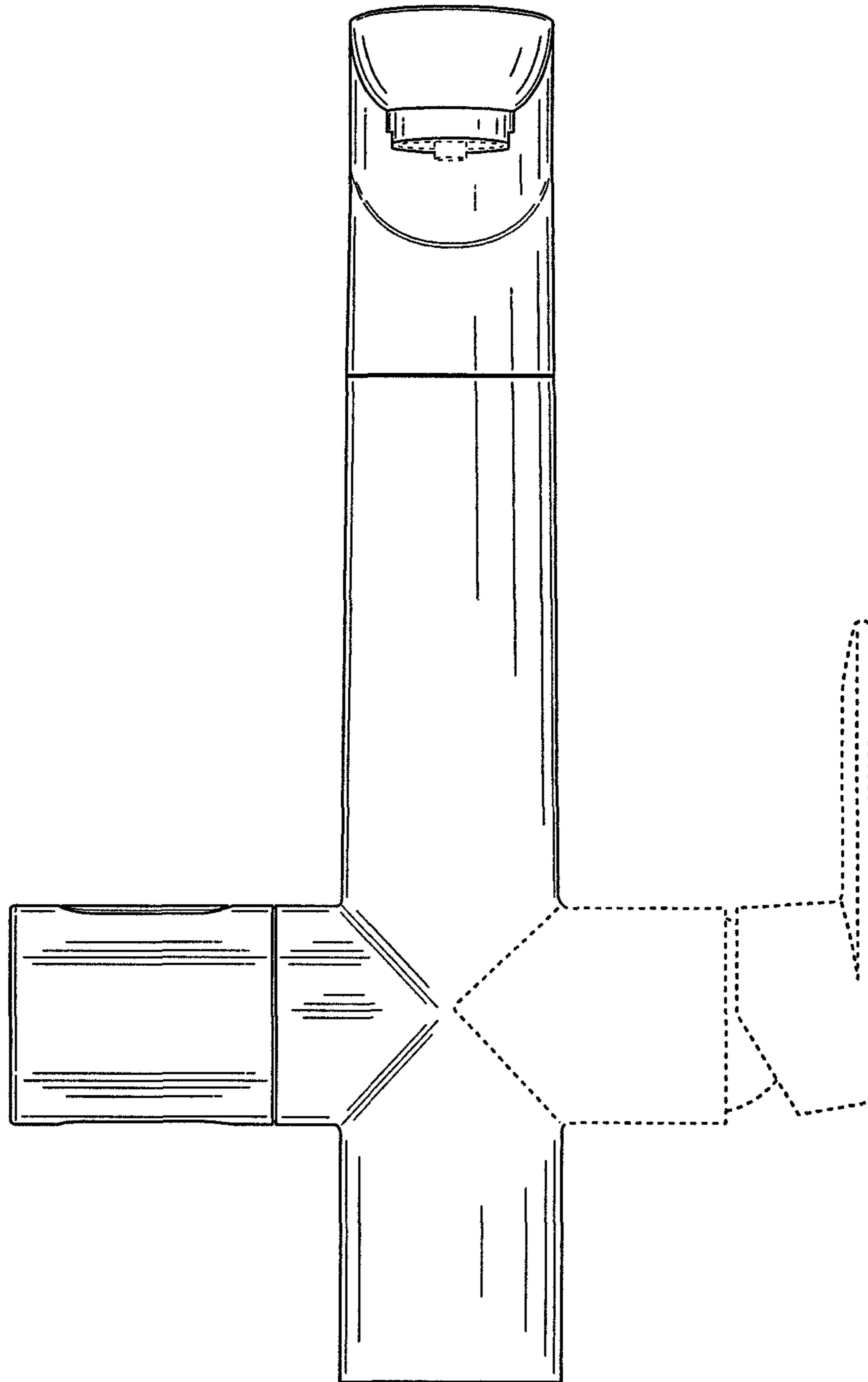


FIG. 3

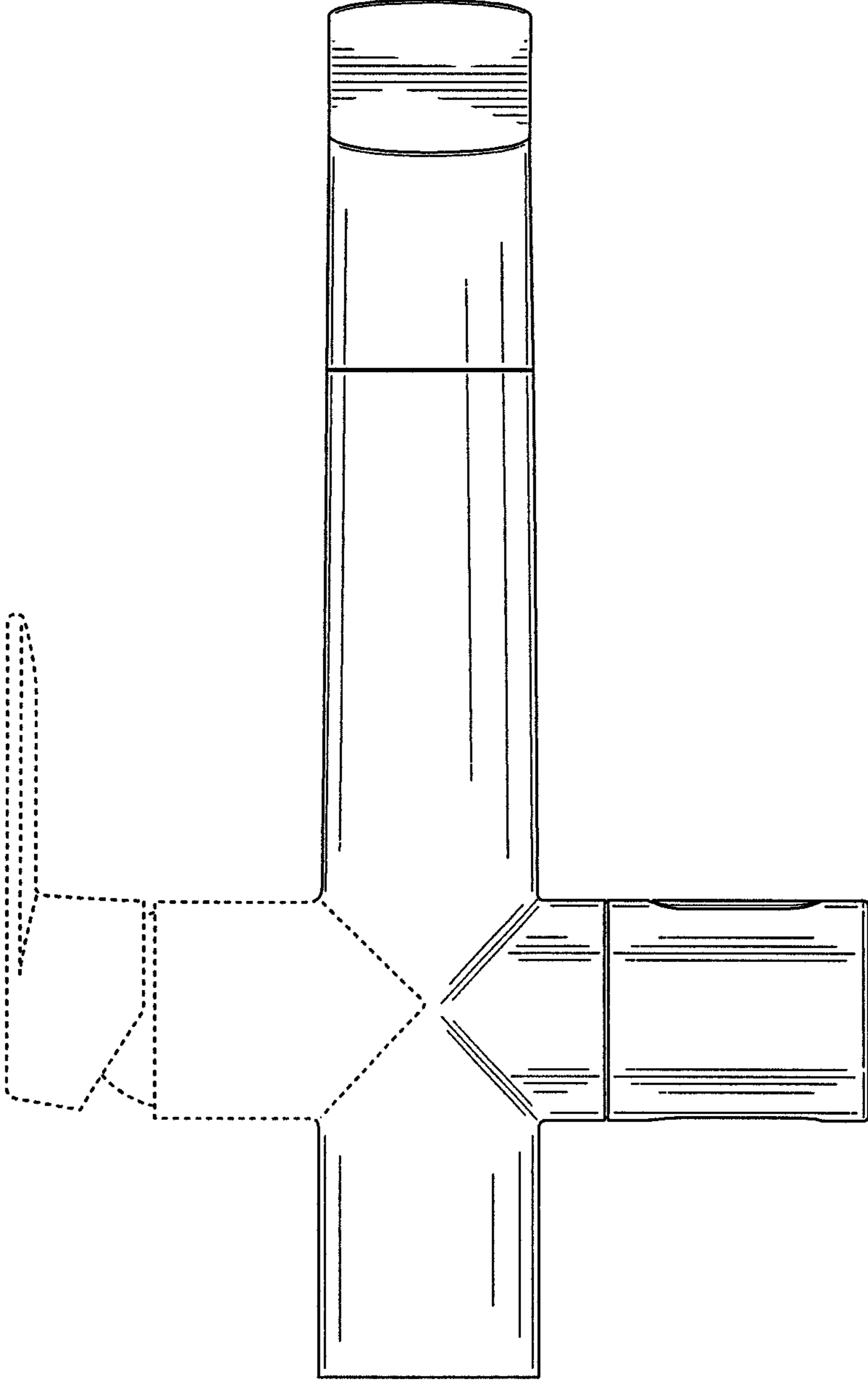


FIG. 4

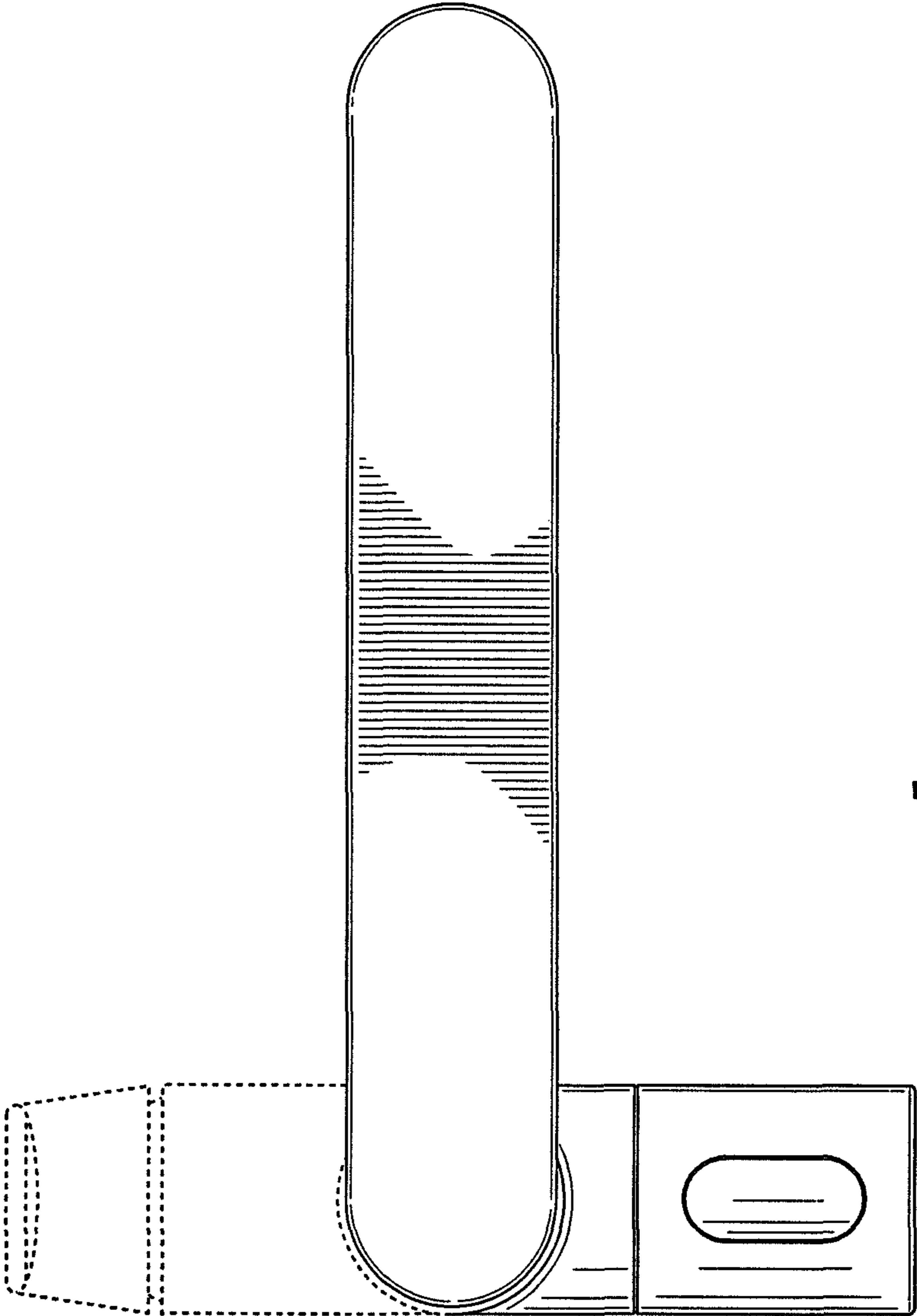


FIG. 5

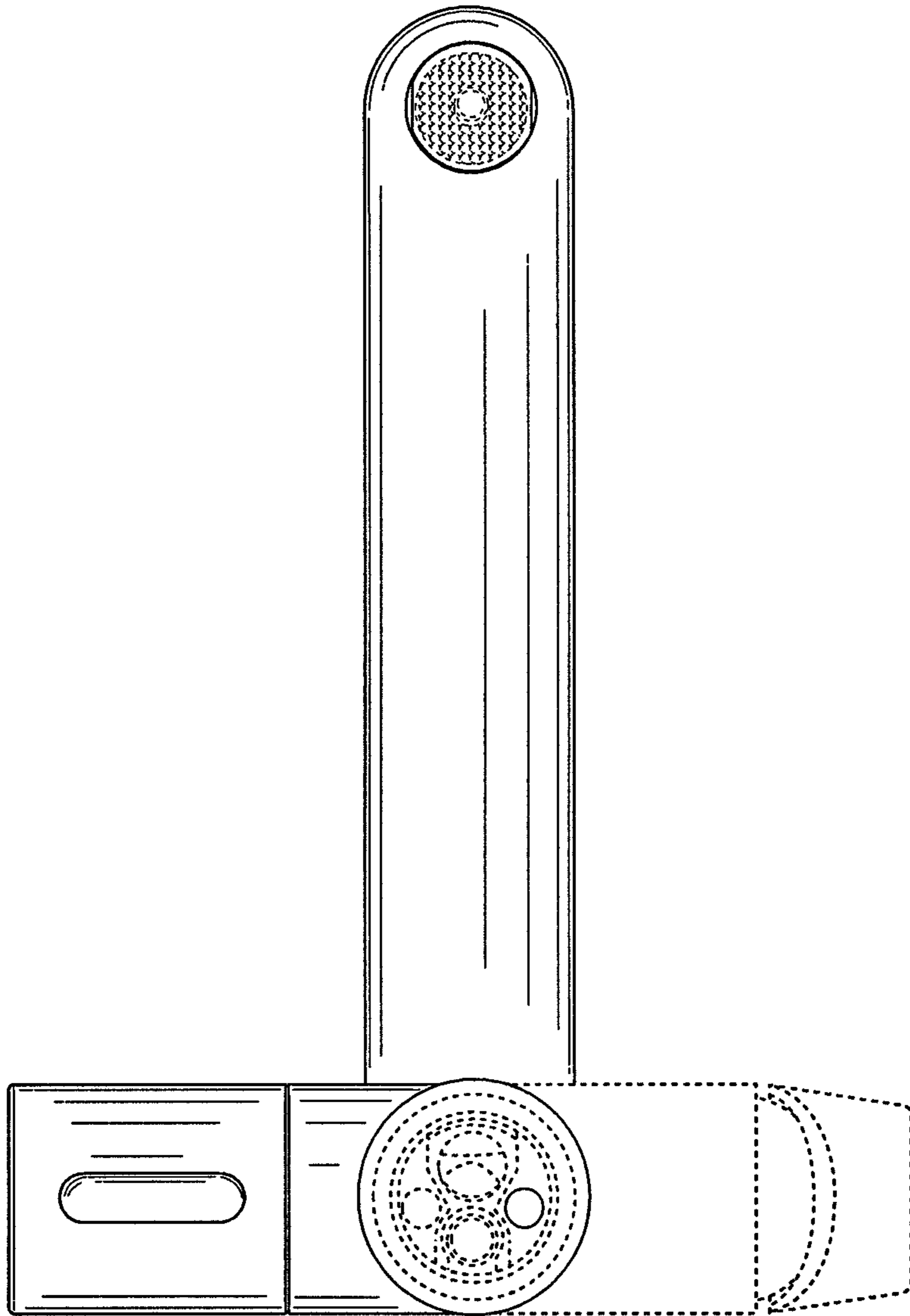


FIG. 6

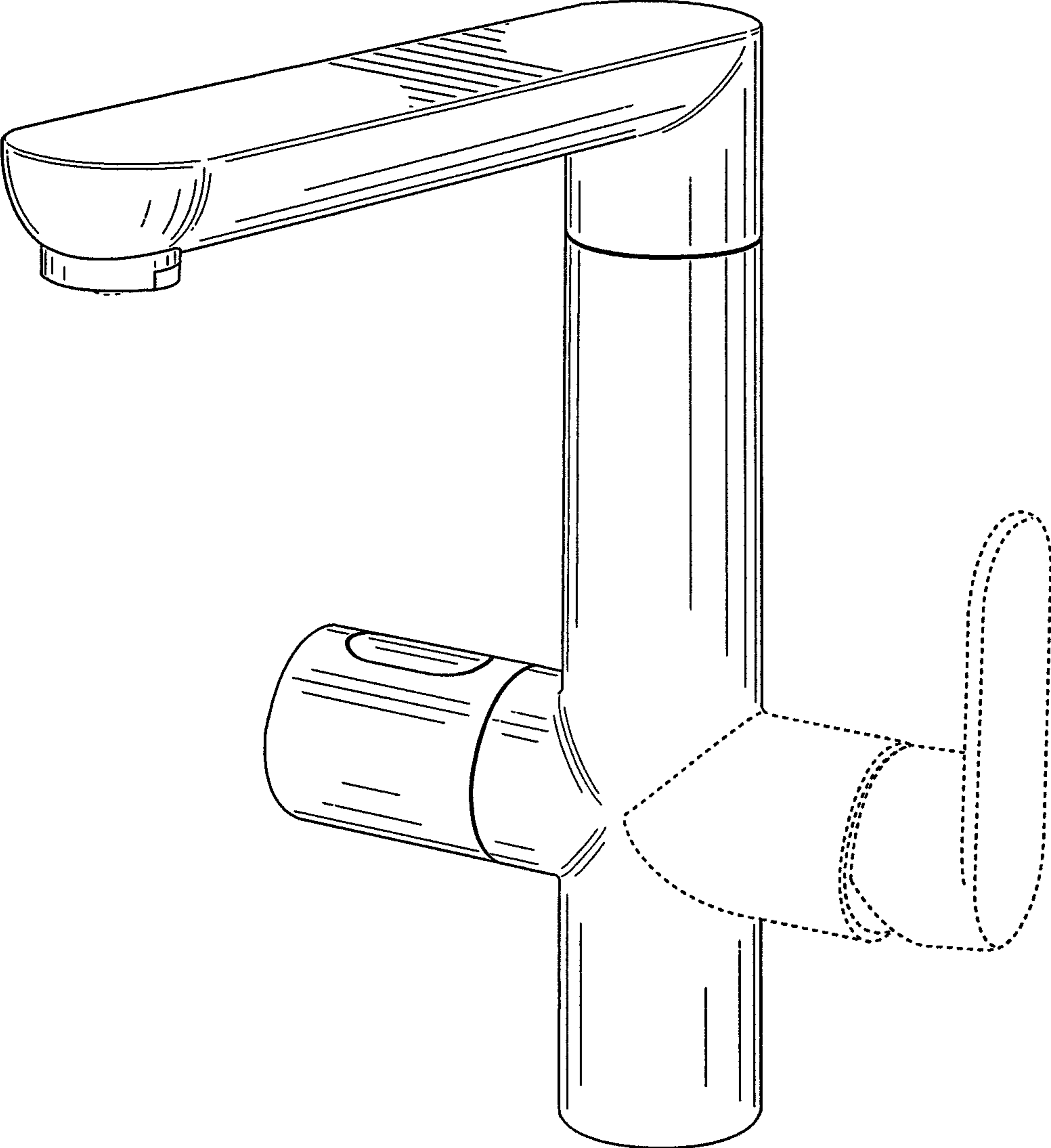


FIG. 7