



US00D691699S

(12) **United States Design Patent**
Berger et al.

(10) **Patent No.:** **US D691,699 S**
(45) **Date of Patent:** **** Oct. 15, 2013**

(54) **SHOWER**

(56)

References Cited

(71) Applicant: **Masco Corporation of Indiana,**
Indianapolis, IN (US)
(72) Inventors: **Ryan Berger,** Columbus, OH (US);
Sean Svendsen, Columbus, OH (US)

U.S. PATENT DOCUMENTS

4,951,329	A *	8/1990	Shaw	4/568
D317,332	S *	6/1991	Williams et al.	D21/483
5,125,577	A *	6/1992	Frankel	239/211
5,337,956	A *	8/1994	Crutcher	239/27
D639,383	S *	6/2011	Holbrook	D23/213

* cited by examiner

(73) Assignee: **Masco Corporation of Indiana,**
Indianapolis, IN (US)

Primary Examiner — Robin V Webster

(74) *Attorney, Agent, or Firm* — Edgar A. Zarins; Nirav D. Parikh

(**) Term: **14 Years**

(57)

CLAIM

The ornamental design for a shower, as shown and described.

(21) Appl. No.: **29/438,909**

DESCRIPTION

(22) Filed: **Dec. 5, 2012**

(51) **LOC (9) Cl.** **23-01**

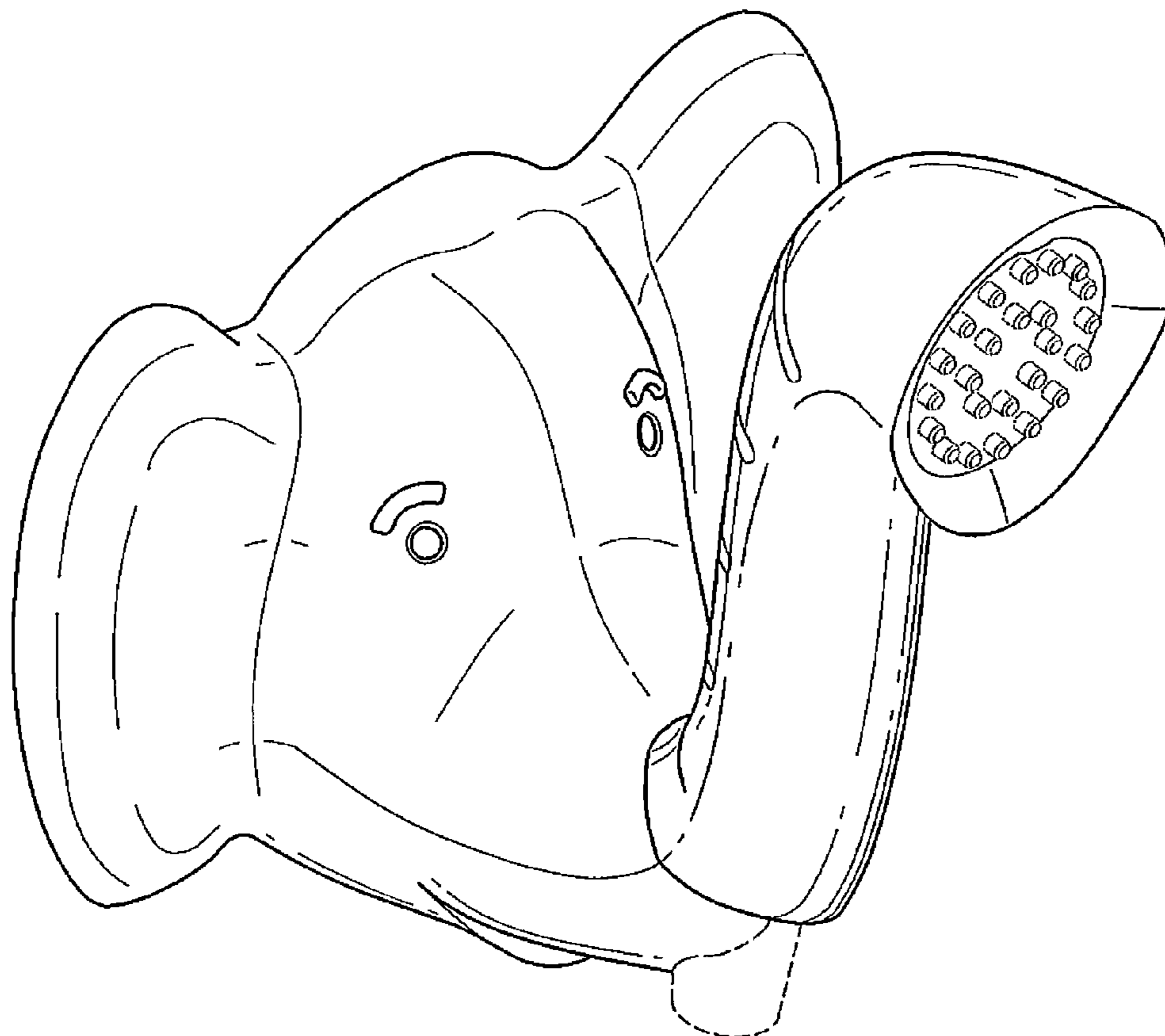
(52) **U.S. Cl.**
USPC **D23/213**

(58) **Field of Classification Search**
USPC D23/213, 229, 230; 4/568, 661;
239/211, 282-283

FIG. 1 is a perspective view of a shower showing our new design;
FIG. 2 is a top plan view thereof;
FIG. 3 is a front elevational view thereof;
FIG. 4 is a rear view thereof;
FIG. 5 is a left side view thereof;
FIG. 6 is a right side view thereof; and,
FIG. 7 is a bottom view thereof.
The broken line showing is included for the purpose of illustrating and forms no part of the claimed design.

See application file for complete search history.

1 Claim, 4 Drawing Sheets



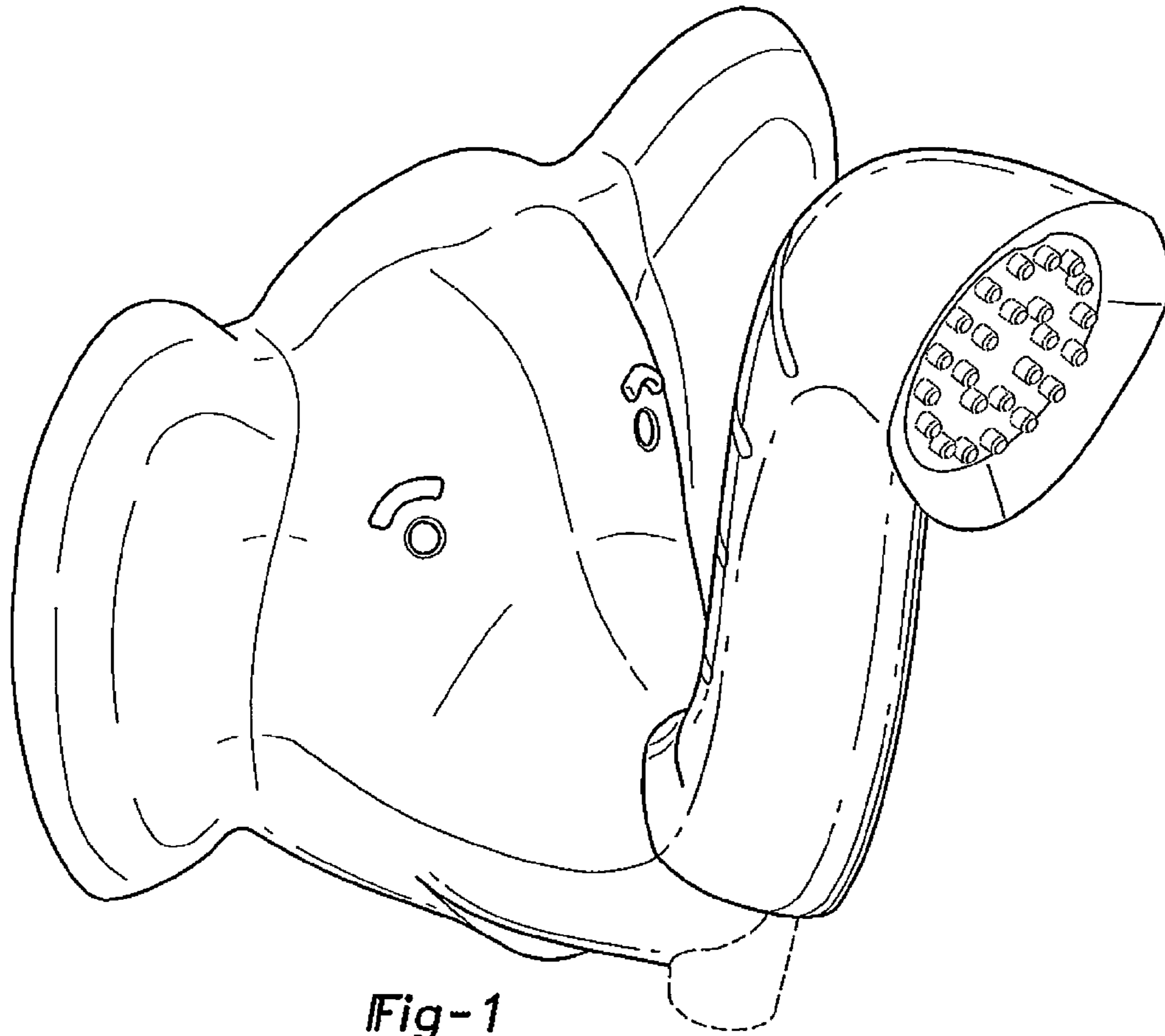


Fig-1

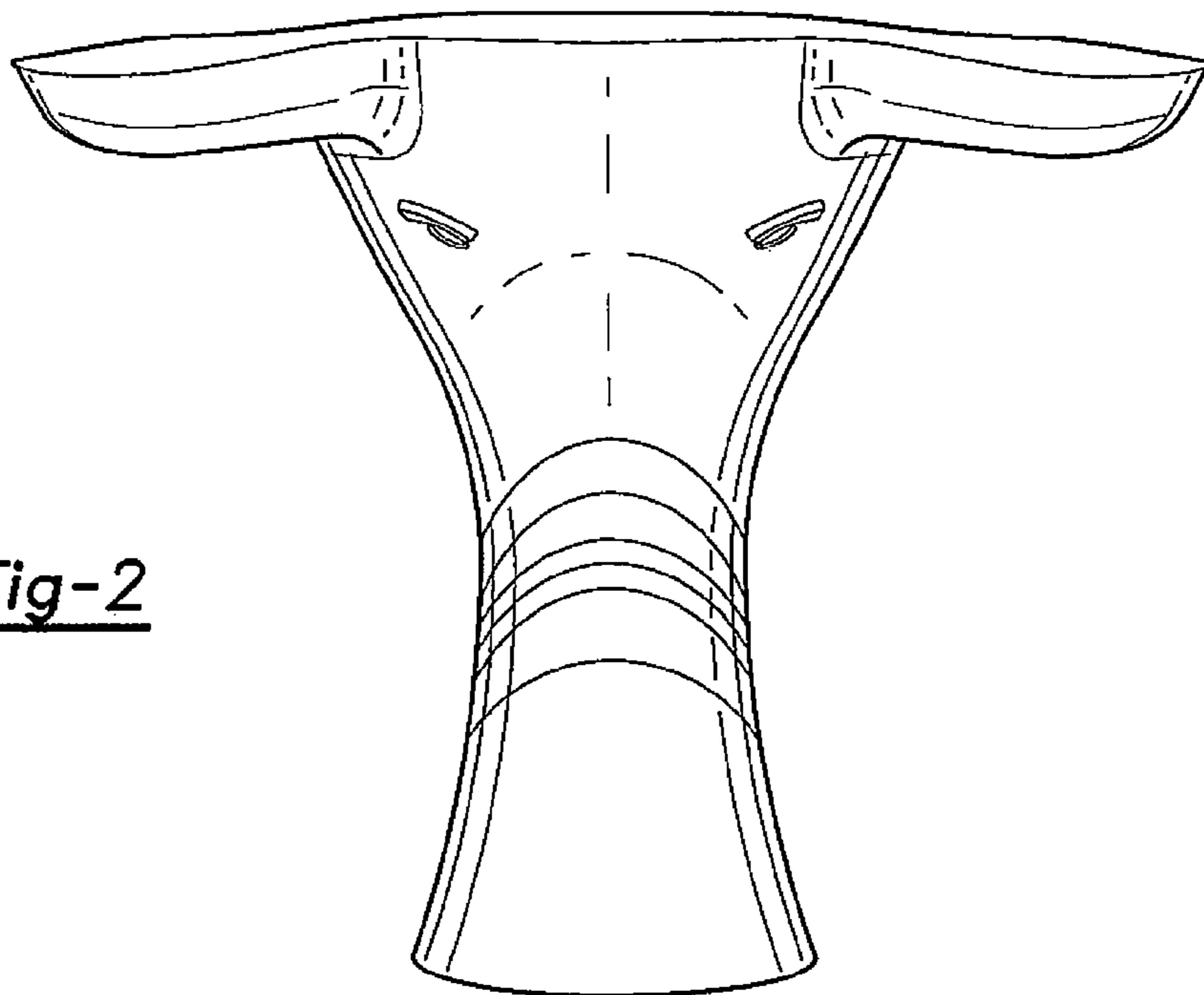
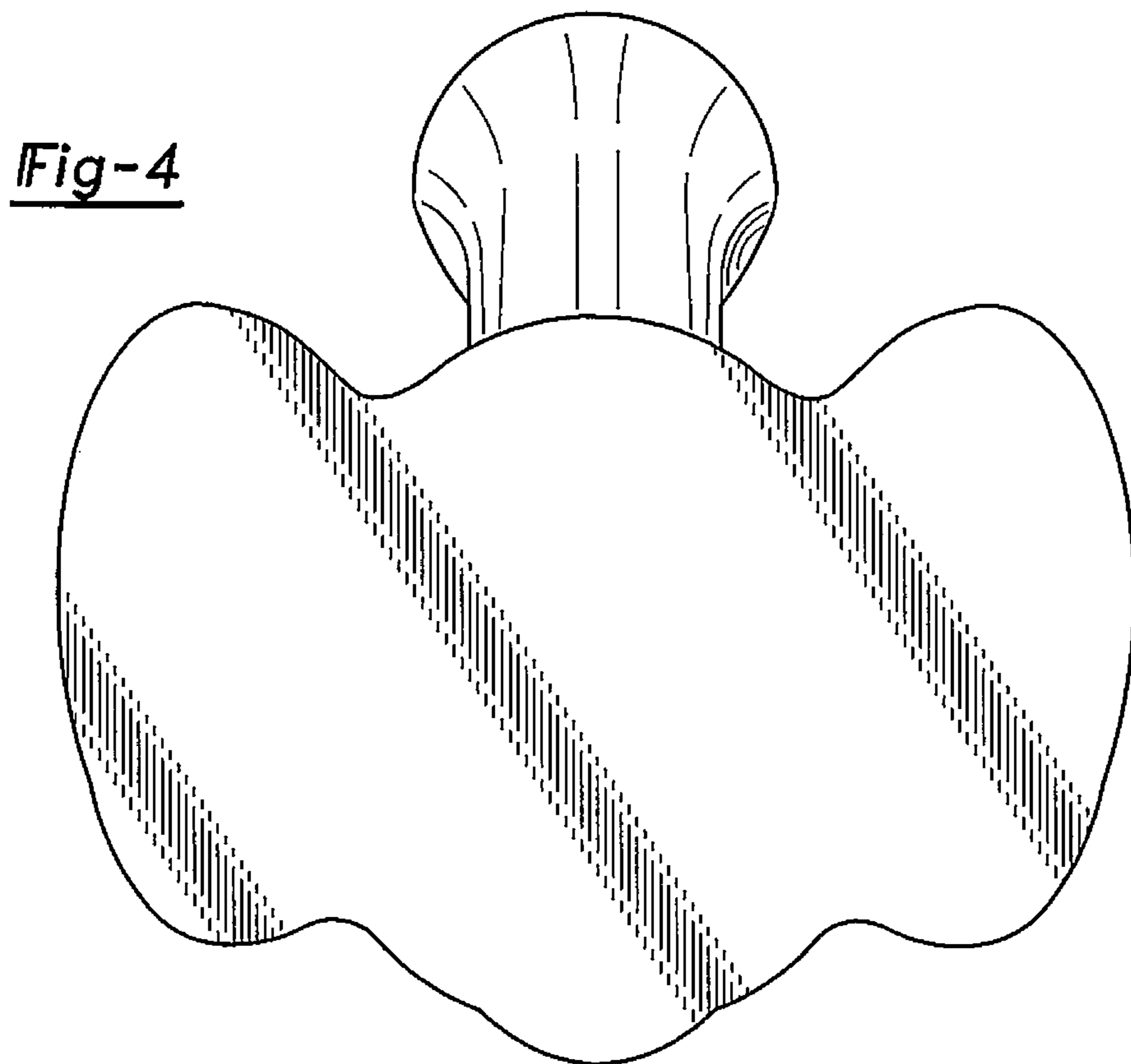
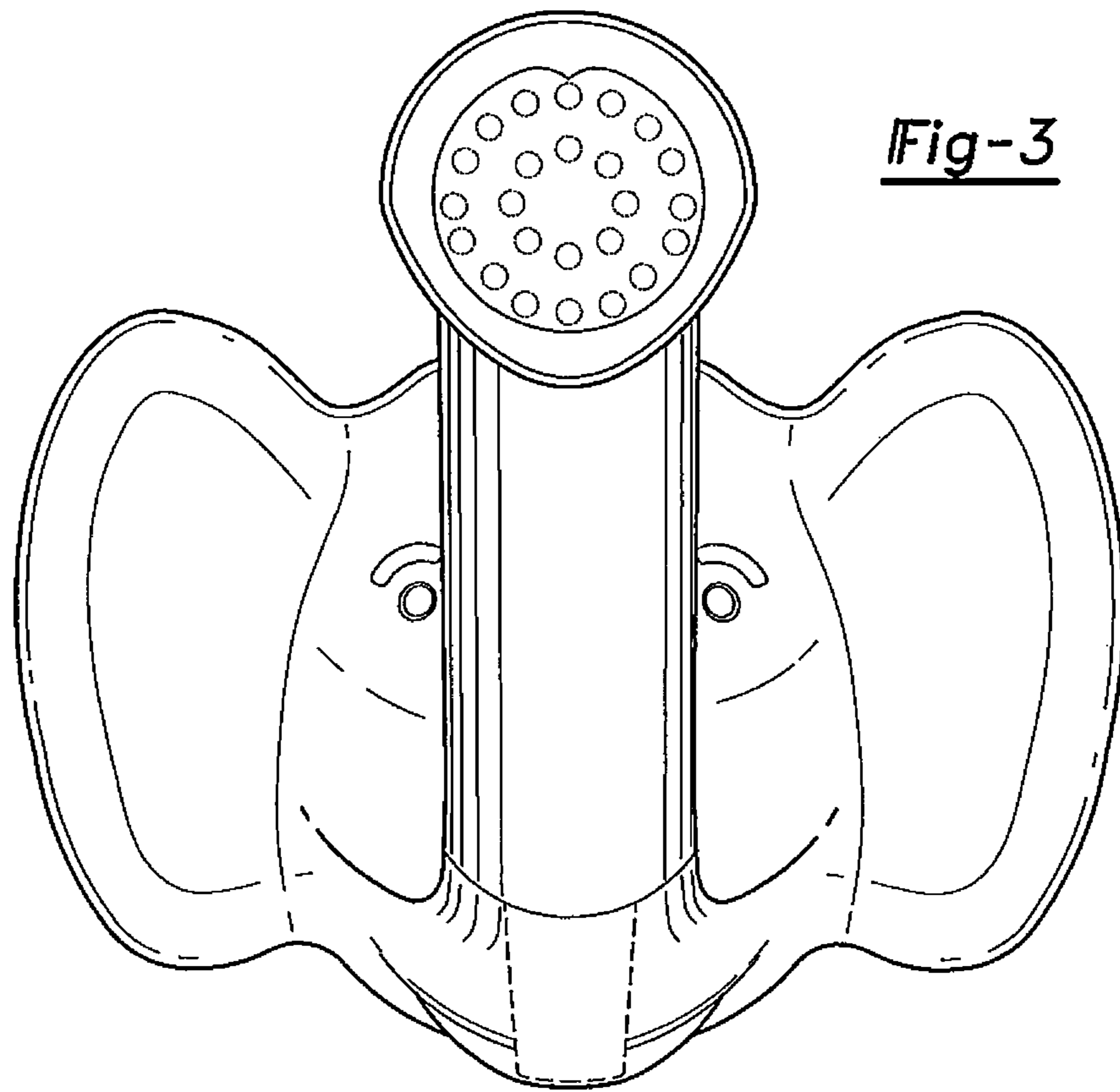


Fig-2



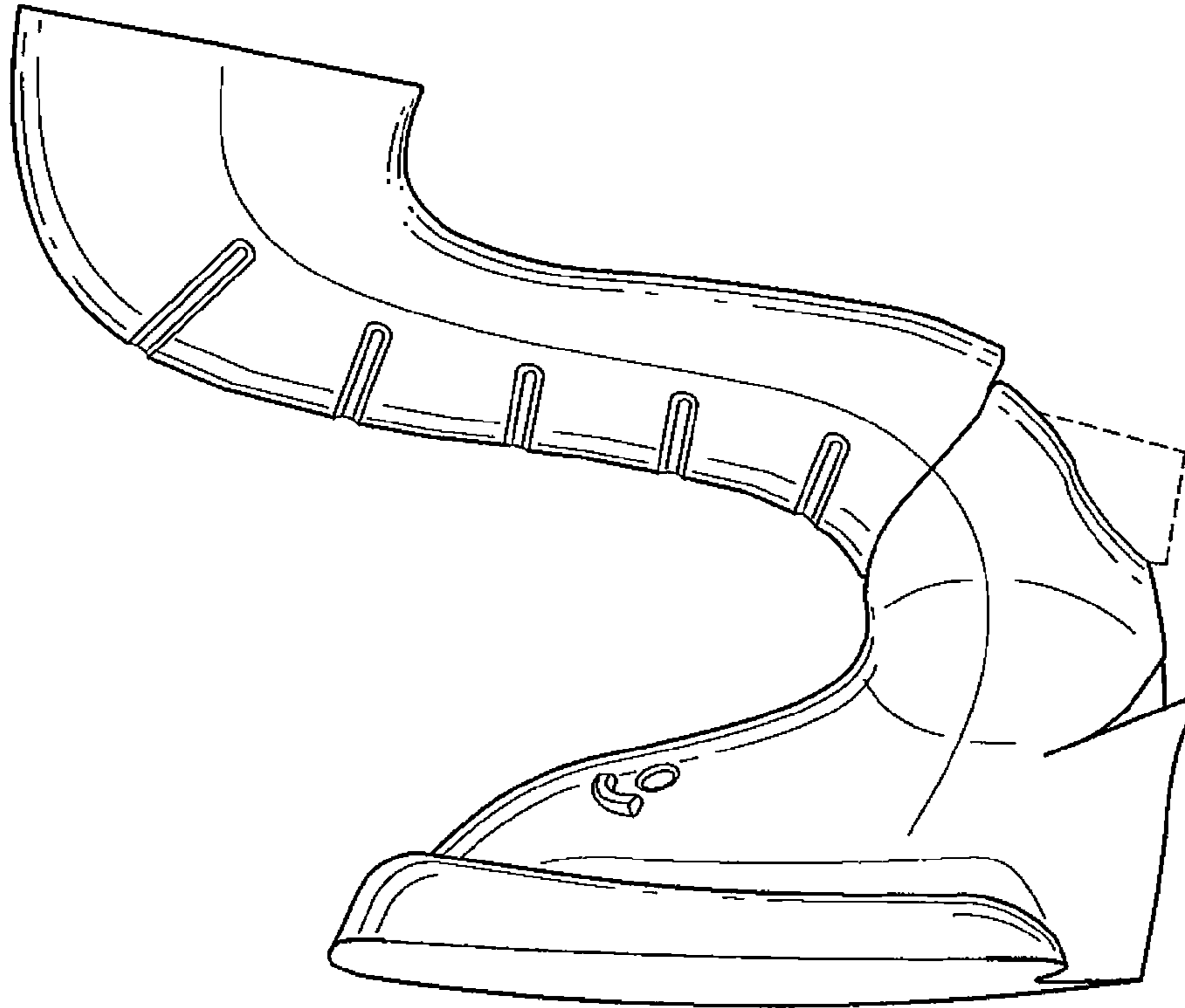


Fig-6

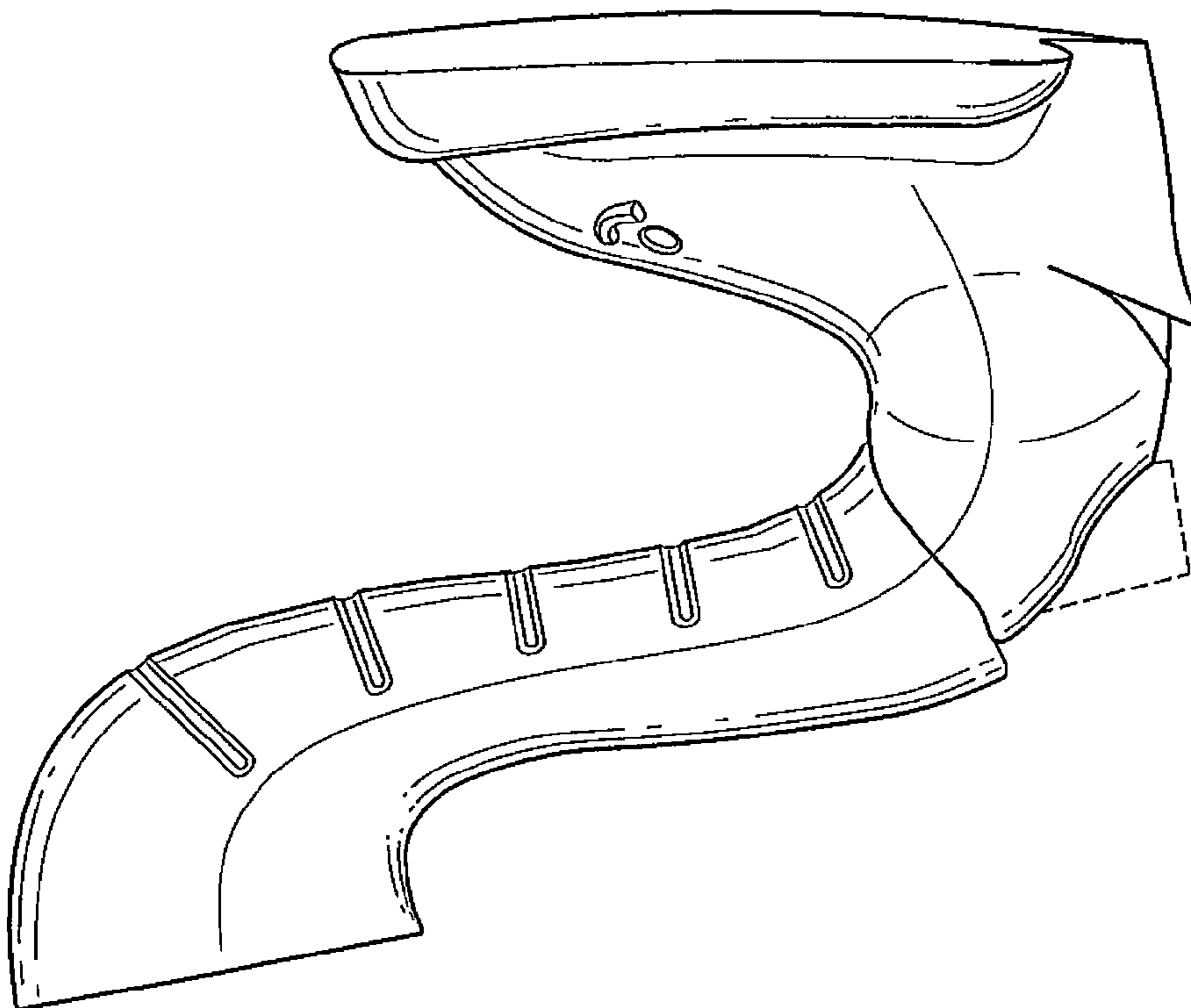


Fig-5

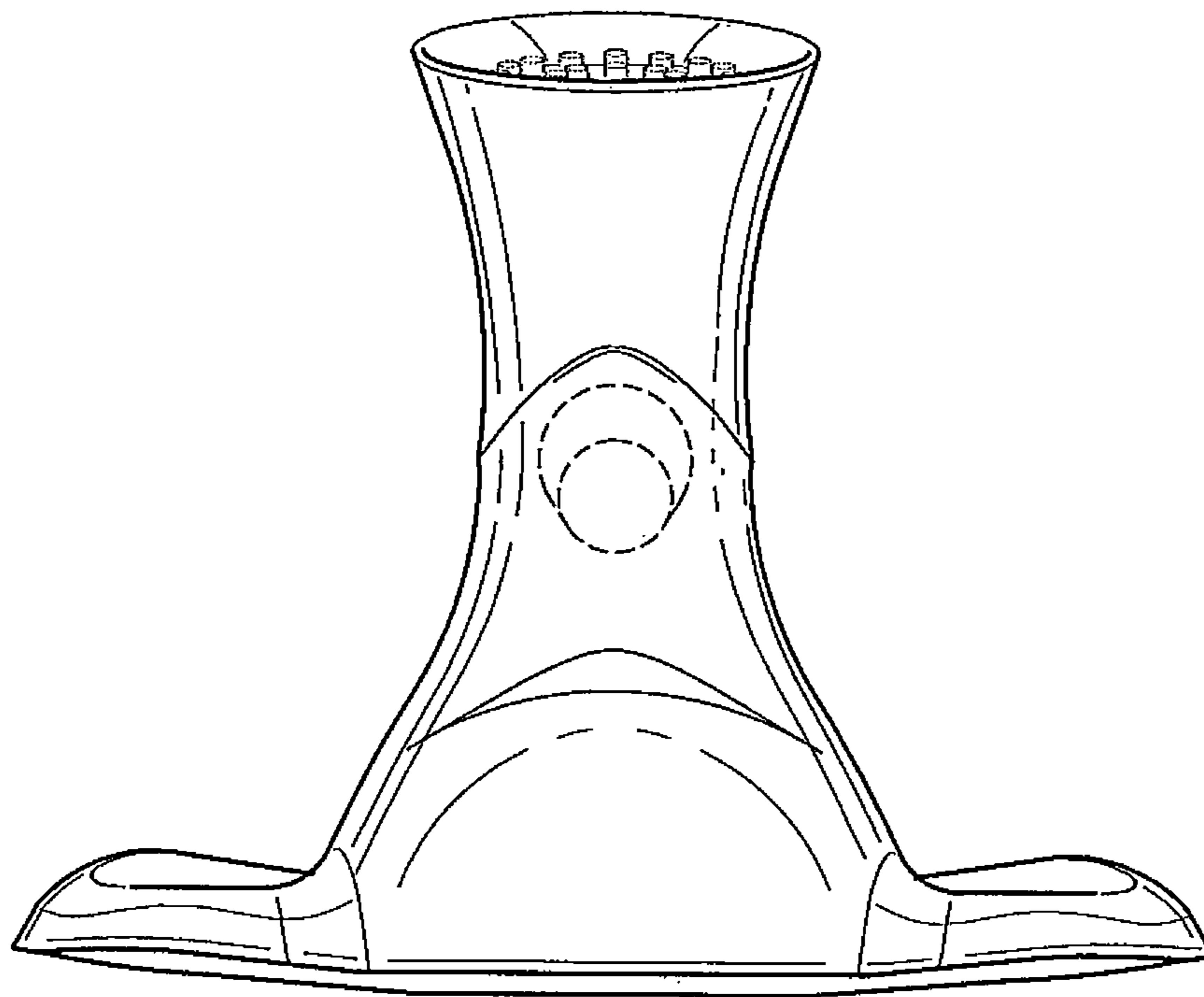


Fig-7