



US00D691697S

(12) **United States Design Patent**
Purser et al.

(10) **Patent No.:** **US D691,697 S**
(45) **Date of Patent:** **** Oct. 15, 2013**

(54) **ROD HOLDER FOR ICE FISHING**
(71) Applicants: **Lee C. Purser**, Preston, ID (US); **Janice S. Purser**, Preston, ID (US); **Kody K. Purser**, Preston, ID (US)
(72) Inventors: **Lee C. Purser**, Preston, ID (US); **Janice S. Purser**, Preston, ID (US); **Kody K. Purser**, Preston, ID (US)
(**) Term: **14 Years**

4,763,435 A	8/1988	Deering	
4,877,165 A *	10/1989	Behrle	43/21.2
4,949,498 A	8/1990	Cecchetti	
5,038,511 A *	8/1991	Gessner	43/21.2
D341,184 S	11/1993	Sperry	
5,473,835 A	12/1995	Emett	
D416,071 S	11/1999	Sizer et al.	
D416,976 S *	11/1999	Sizer	D22/147
6,079,142 A	6/2000	Danser et al.	
D438,281 S	2/2001	Webster	
D471,952 S *	3/2003	Cardenas	D22/147
D489,118 S *	4/2004	Preiss	D22/147
D503,768 S *	4/2005	Thompson	D22/147

(21) Appl. No.: **29/439,801**

* cited by examiner

(22) Filed: **Dec. 14, 2012**

Primary Examiner — Catheri Oliver-Garcia

(51) **LOC (9) Cl.** **22-05**

(52) **U.S. Cl.**
USPC **D22/147**

(58) **Field of Classification Search**
USPC D22/147, 134, 137-139; 43/4, 17, 21.2, 43/54.1; D19/84; 248/107, 153, 519-520, 248/538; D7/619.1, 619.2; 224/558, 567, 224/922

See application file for complete search history.

(56) **References Cited**

U.S. PATENT DOCUMENTS

D106,536 S *	10/1937	Heim	D19/84
D219,970 S *	2/1971	Salzmann	D22/147
4,676,019 A	6/1987	Engles	
4,694,603 A	9/1987	Anderson	

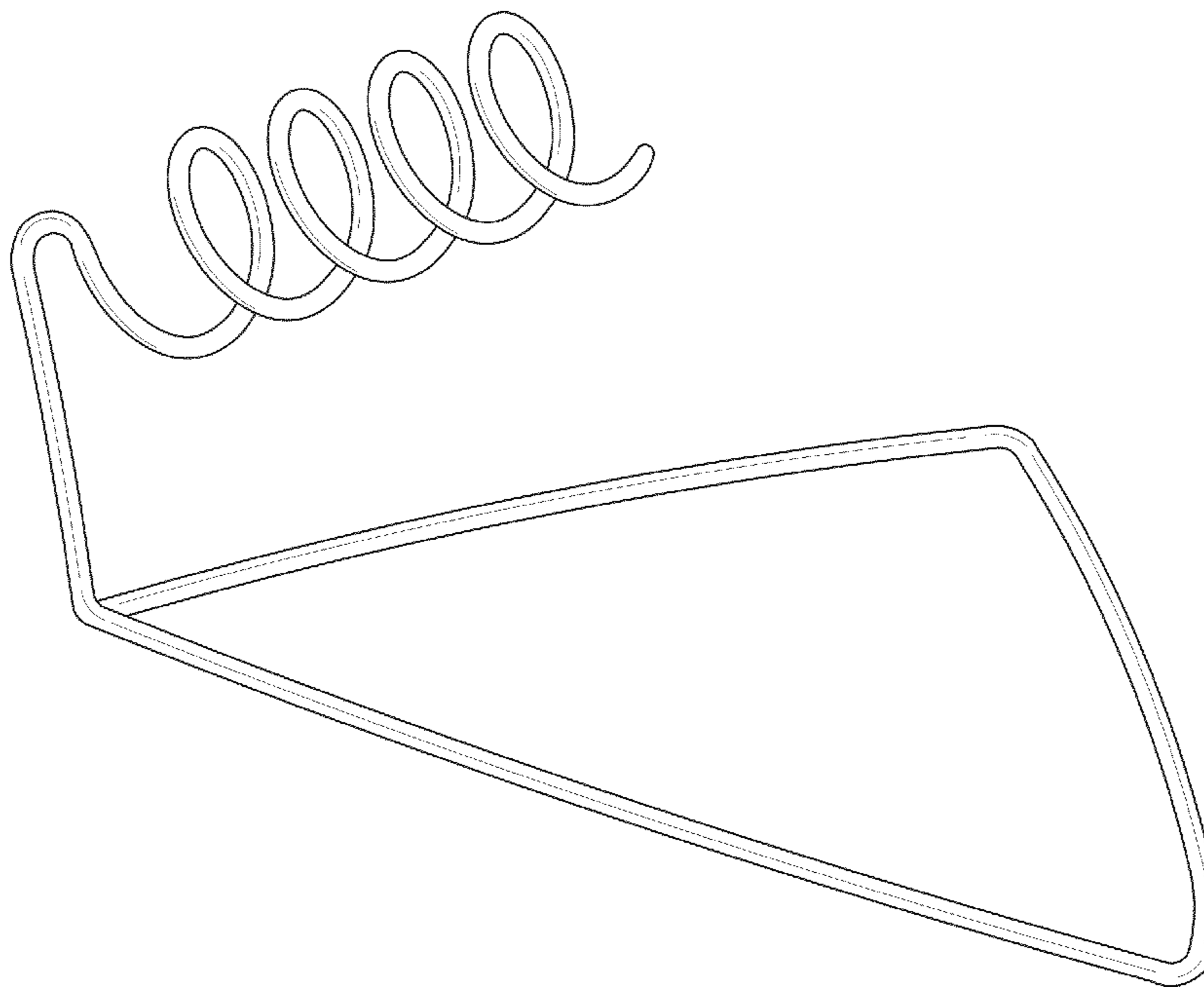
(57) **CLAIM**

The ornamental design for a rod holder for ice fishing, as shown and described.

DESCRIPTION

FIG. 1 is a perspective view of a rod holder for ice fishing showing my new design;
FIG. 2 is a side view thereof;
FIG. 3 is an opposite side view thereof;
FIG. 4 is a rear thereof;
FIG. 5 is a front view thereof;
FIG. 6 is top view thereof; and,
FIG. 7 is a bottom view thereof.

1 Claim, 5 Drawing Sheets



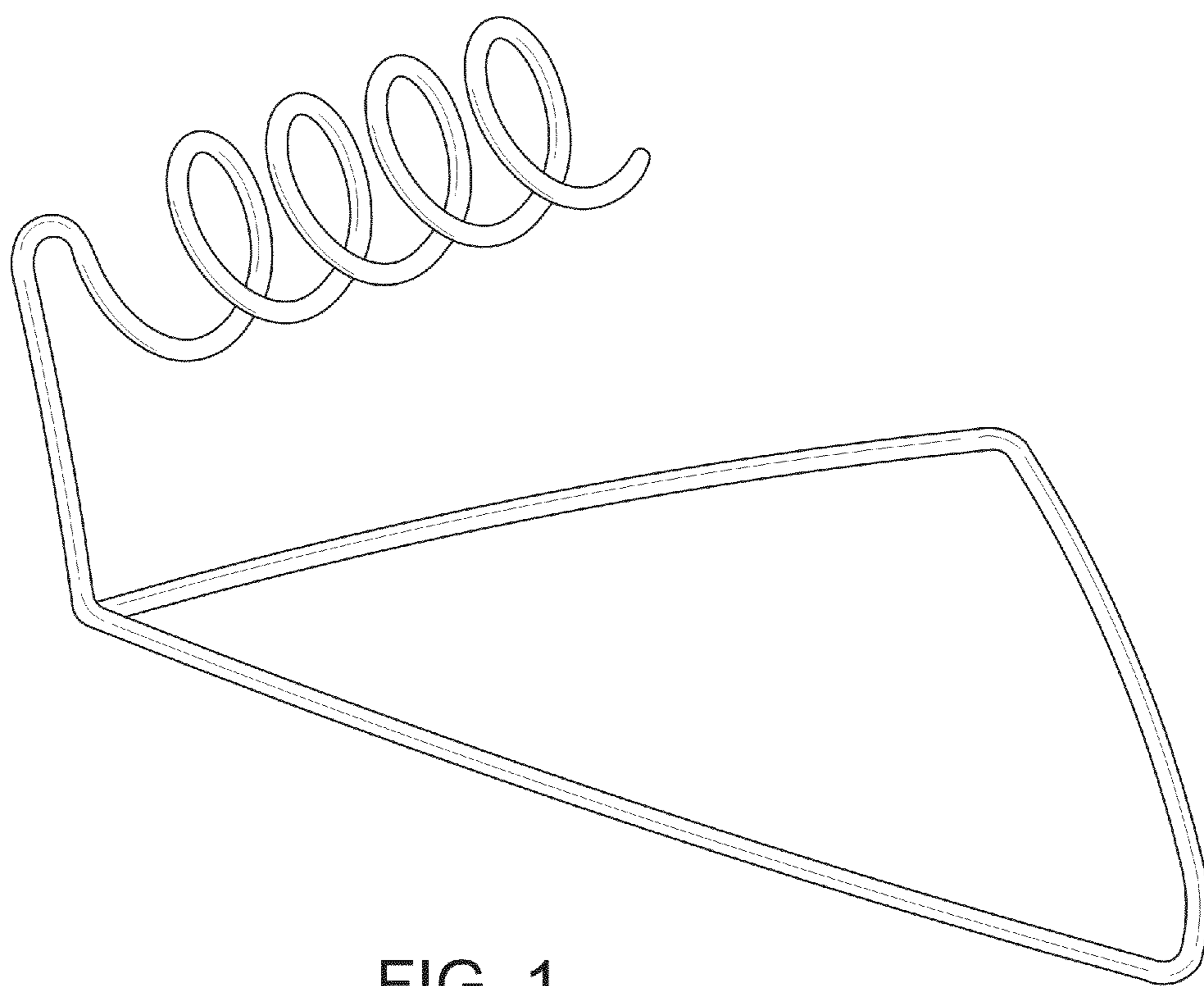


FIG. 1

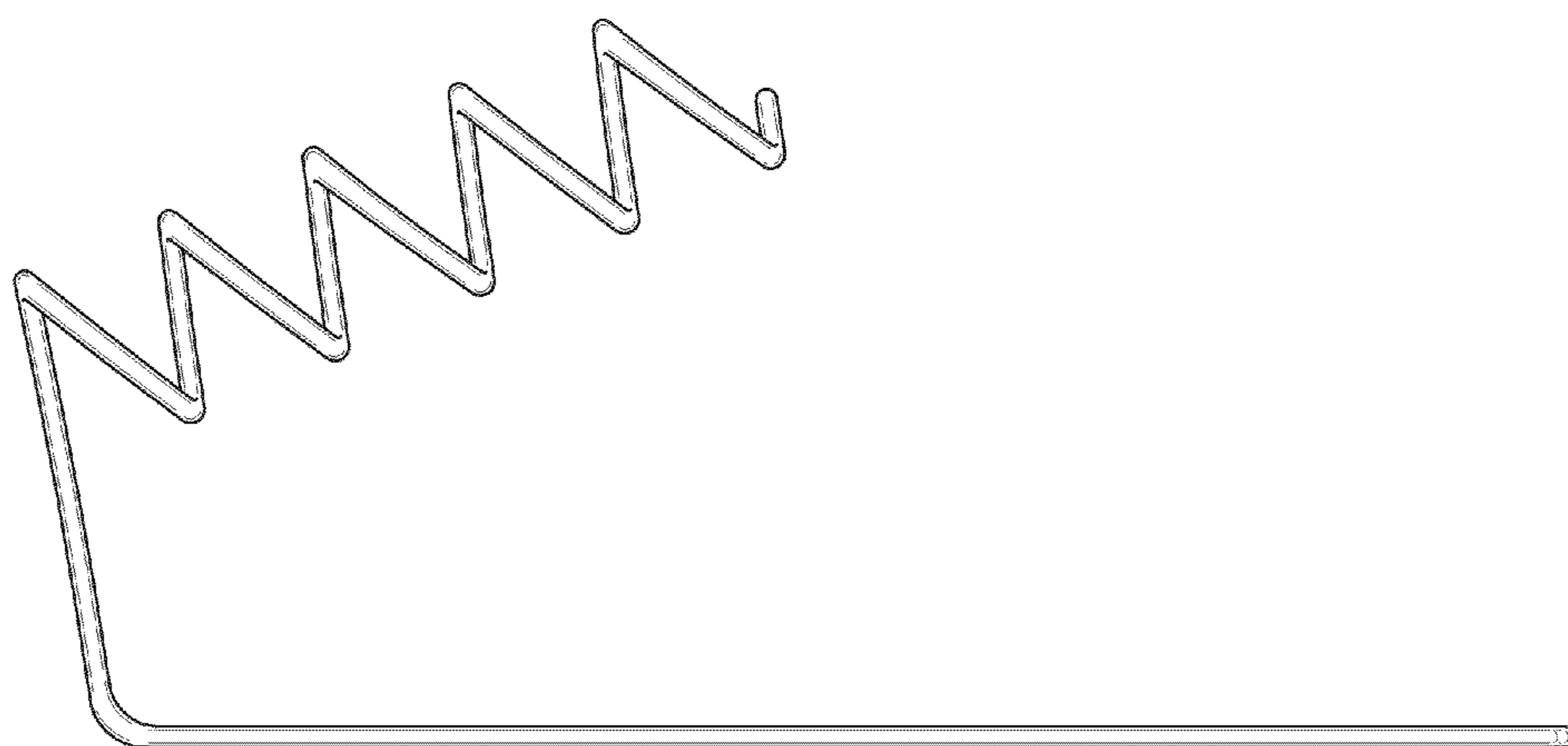


FIG. 2

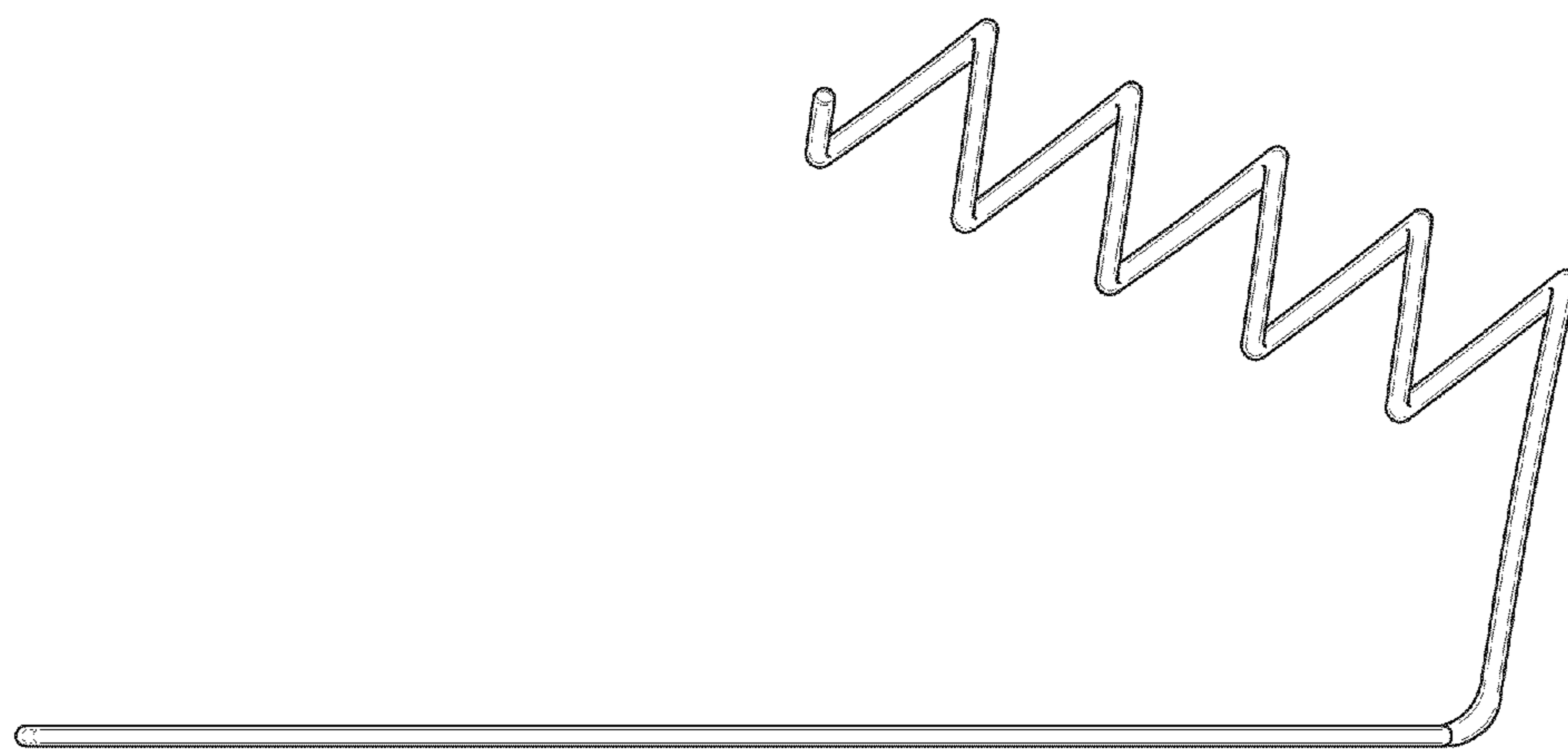


FIG. 3

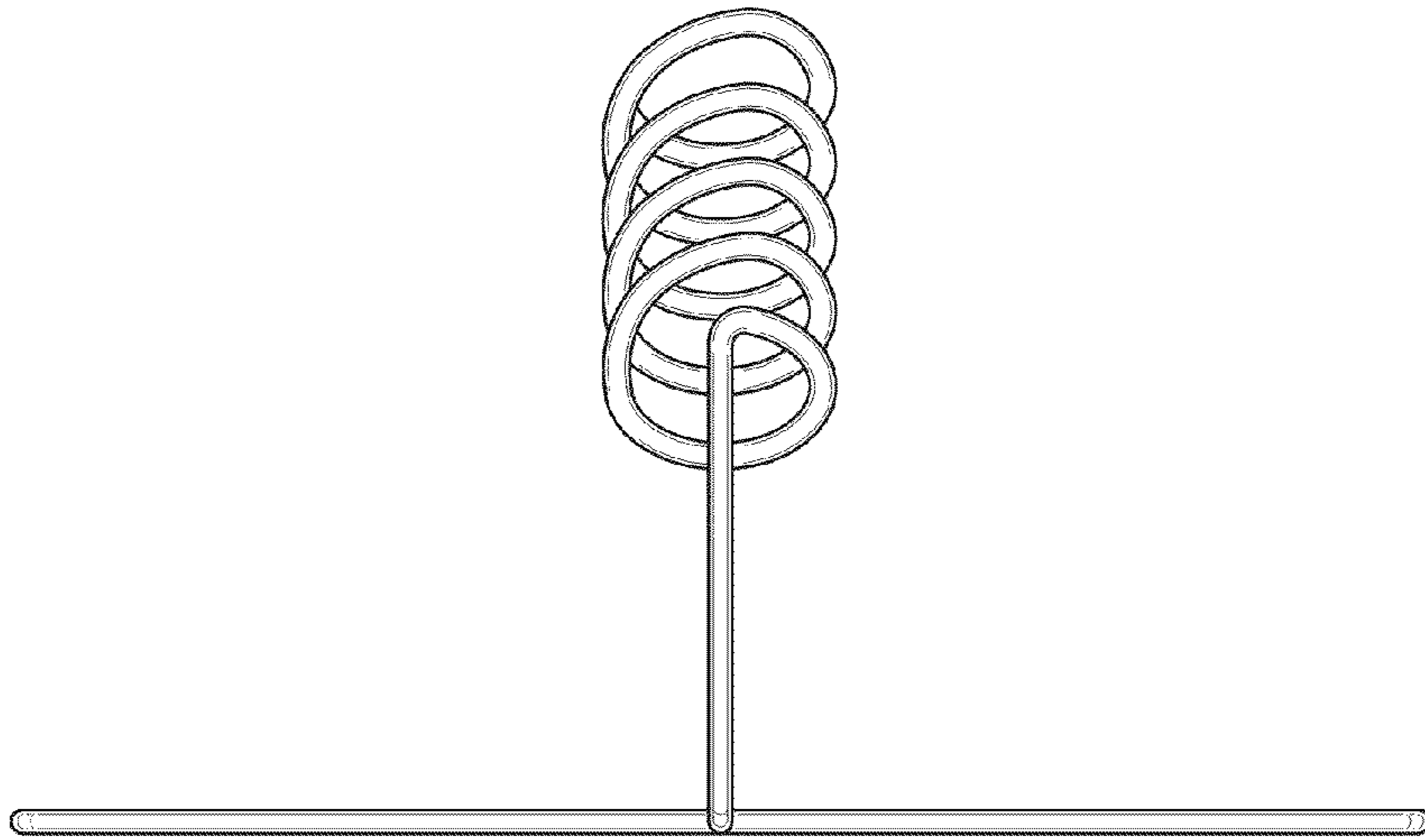


FIG. 4

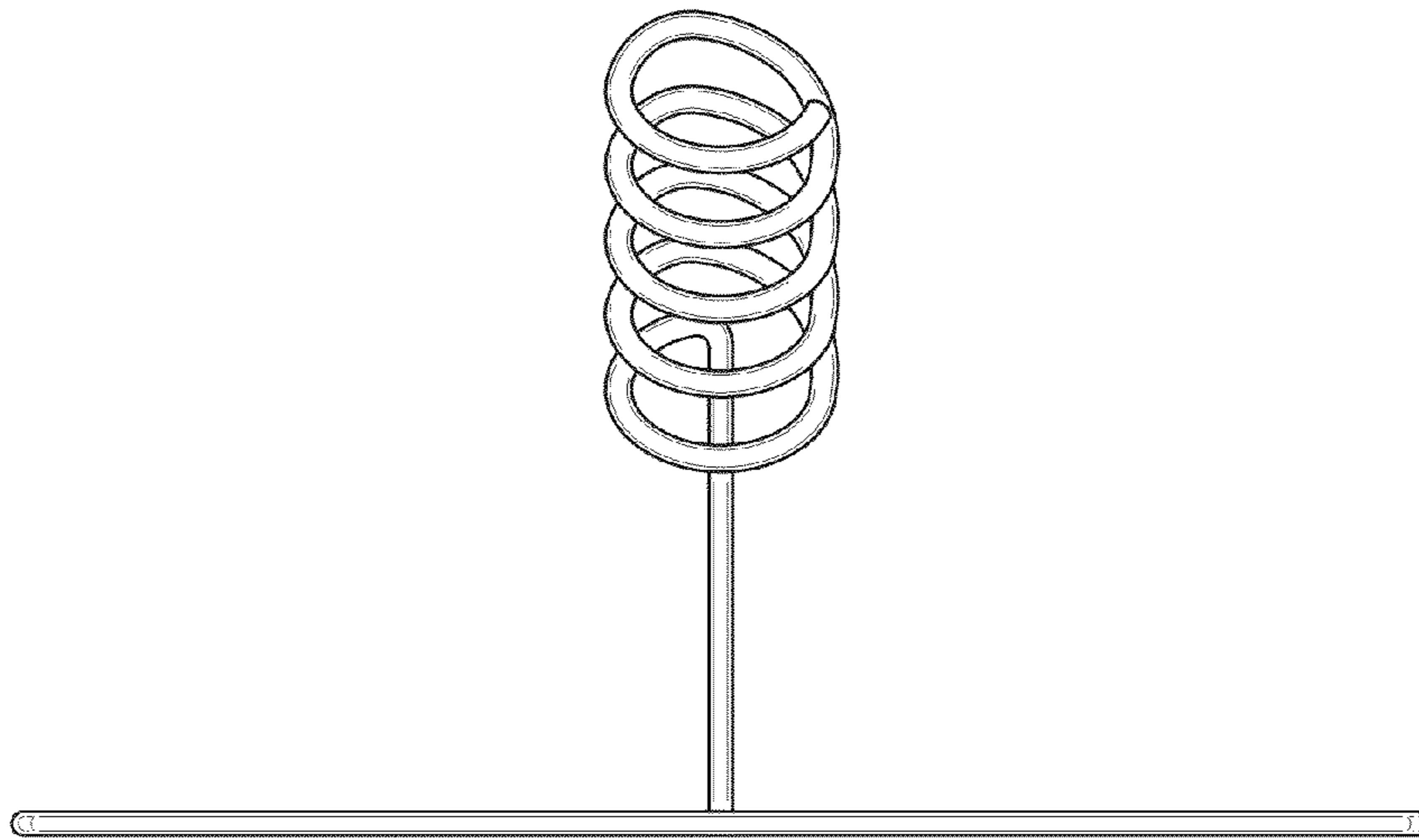


FIG. 5

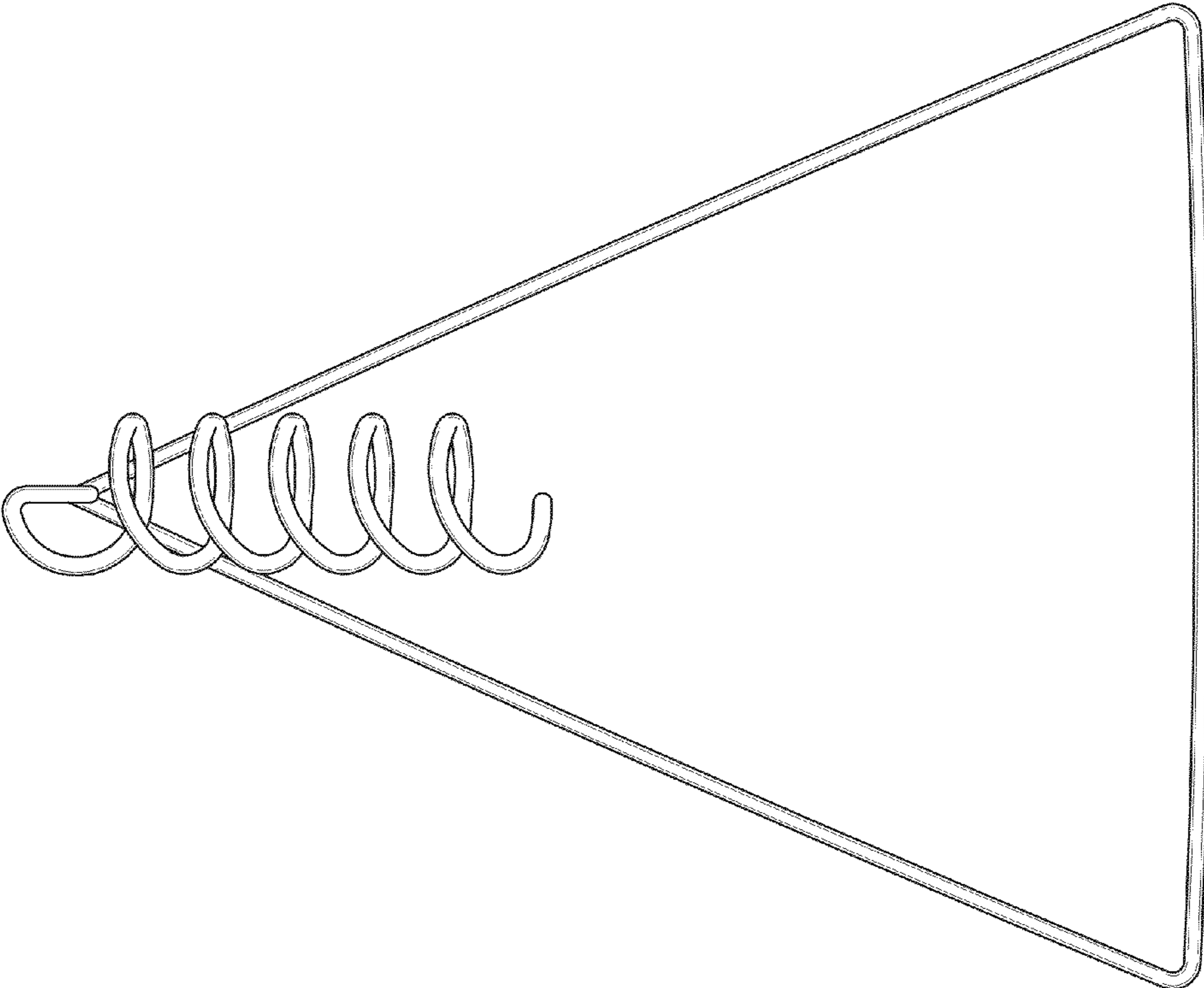


FIG. 6

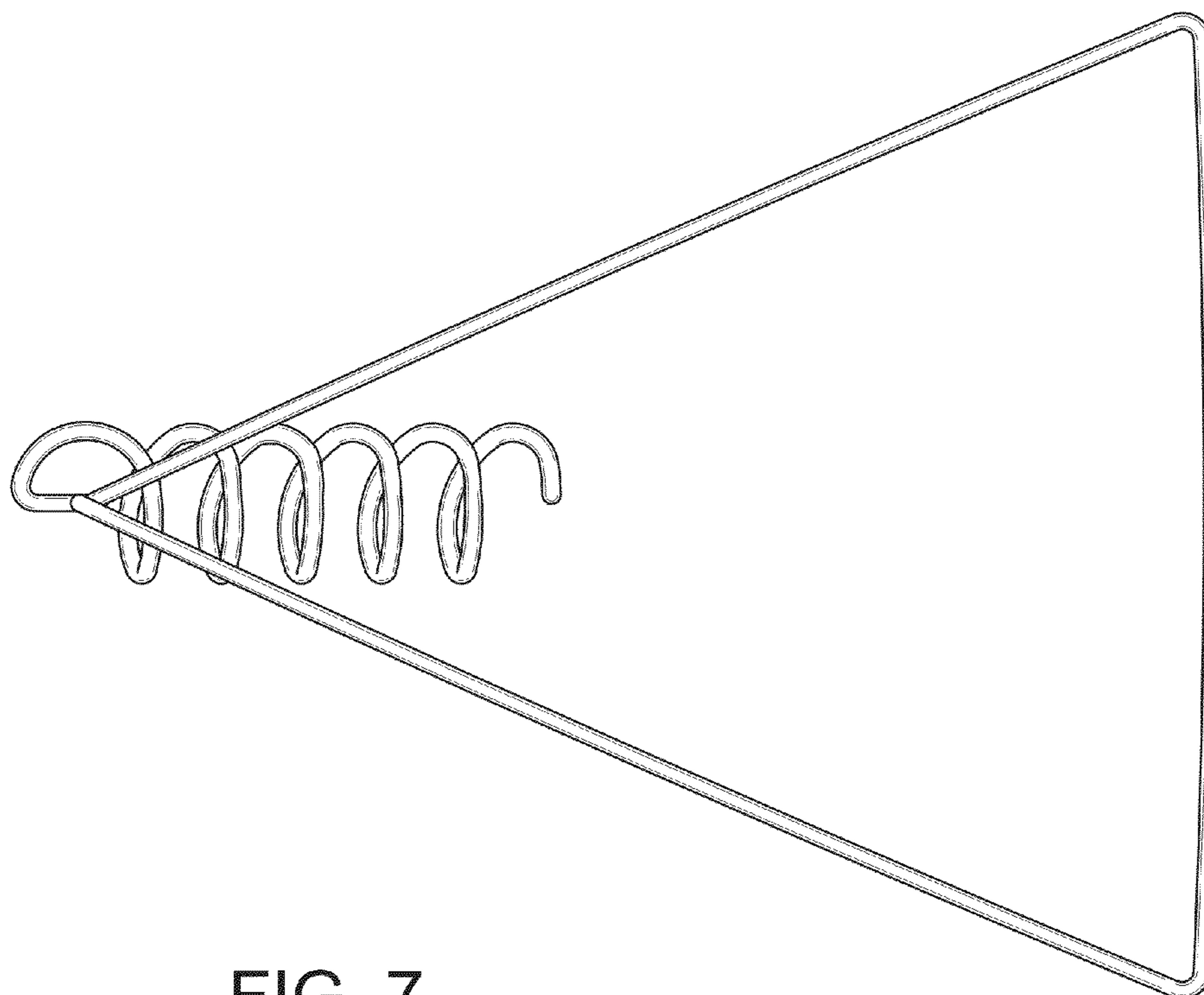


FIG. 7