



US00D691692S

(12) **United States Design Patent**  
**Sheikh et al.**

(10) **Patent No.:** **US D691,692 S**  
(45) **Date of Patent:** **\*\* Oct. 15, 2013**

(54) **COMBINATION STUN GUN, BATON AND FLASHLIGHT**

(71) Applicants: **Yasar Sheikh**, Sanford, FL (US);  
**Shabbir Sheikh**, Sanford, FL (US)

(72) Inventors: **Yasar Sheikh**, Sanford, FL (US);  
**Shabbir Sheikh**, Sanford, FL (US)

(\*\*) Term: **14 Years**

(21) Appl. No.: **29/446,637**

(22) Filed: **Feb. 26, 2013**

**Related U.S. Application Data**

(63) Continuation-in-part of application No. 29/437,248,  
filed on Nov. 14, 2012.

(51) **LOC (9) Cl.** ..... **22-01**

(52) **U.S. Cl.**  
USPC ..... **D22/117; D26/38**

(58) **Field of Classification Search**  
USPC ..... **D22/117; D26/37-38, 40, 42, 46, 49,**  
**D26/51; 362/157-158, 184, 194-208, 253**  
See application file for complete search history.

(56) **References Cited**

**U.S. PATENT DOCUMENTS**

4,968,034	A	11/1990	Hsieh	
D483,432	S	* 12/2003	Parsons	..... D22/117
D513,334	S	12/2005	Galey	
D541,454	S	4/2007	Galey	
7,278,764	B2	10/2007	Kim	
D565,769	S	4/2008	Shiu	
D578,236	S	10/2008	Dalton	
D585,577	S	1/2009	Bonis	
D586,025	S	2/2009	Bonis	
D595,439	S	6/2009	Haight et al.	
D599,928	S	9/2009	Shiu	
D601,736	S	10/2009	Swan	

D603,988	S	11/2009	Sharrah	
D611,115	S	3/2010	Pennington	
D611,116	S	* 3/2010	Pennington	..... D22/117
D629,542	S	12/2010	Robinson	
D629,544	S	12/2010	Deguglimo et al.	
D629,546	S	12/2010	Deguglimo et al.	
D646,346	S	10/2011	Rae	
D647,232	S	10/2011	Liu	
D647,654	S	10/2011	Li	
D648,467	S	11/2011	Nguyen et al.	
D649,670	S	11/2011	Robinson	
D666,344	S	8/2012	Lee	
D674,943	S	* 1/2013	Sheikh et al.	..... D26/38

**OTHER PUBLICATIONS**

The Home Security Superstore, <http://www.thehomesecuritysuperstore.com/stun-guns-flashlight-stun-guns-sub=38>.

\* cited by examiner

*Primary Examiner* — Catheri Oliver-Garcia

(74) *Attorney, Agent, or Firm* — QuickPatents; Kevin Prince

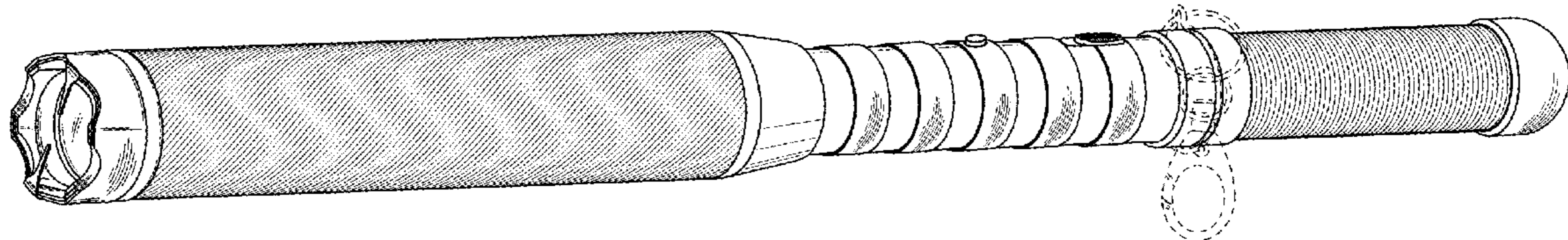
(57) **CLAIM**

We claim the ornamental design for a combination stun gun, baton and flashlight, as shown and described.

**DESCRIPTION**

FIG. 1 is a front perspective view of a combination stun gun, baton and flashlight, showing our new design;  
FIG. 2 is a rear perspective view thereof;  
FIG. 3 is an enlarged front elevational view thereof;  
FIG. 4 is an enlarged rear elevational view thereof;  
FIG. 5 is a right-side elevational view thereof, the left-side elevational view being a mirror image thereof;  
FIG. 6 is a top plan view thereof; and,  
FIG. 7 is a bottom plan view thereof.  
The broken lines showing a clasp in FIG. 1 depict environmental matter and form no part of the claimed design.

**1 Claim, 3 Drawing Sheets**



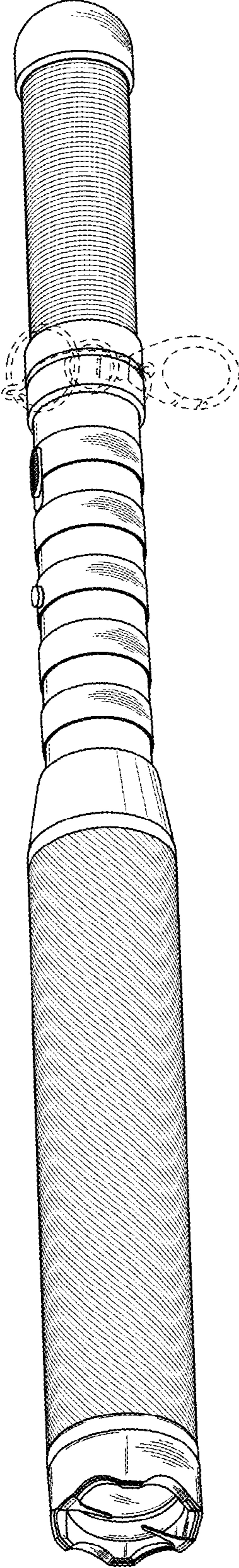


FIG. 1

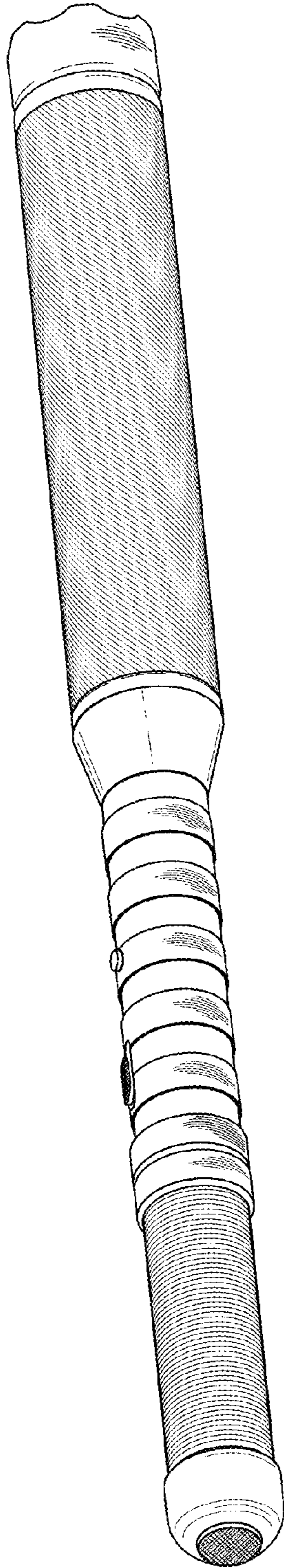


FIG. 2

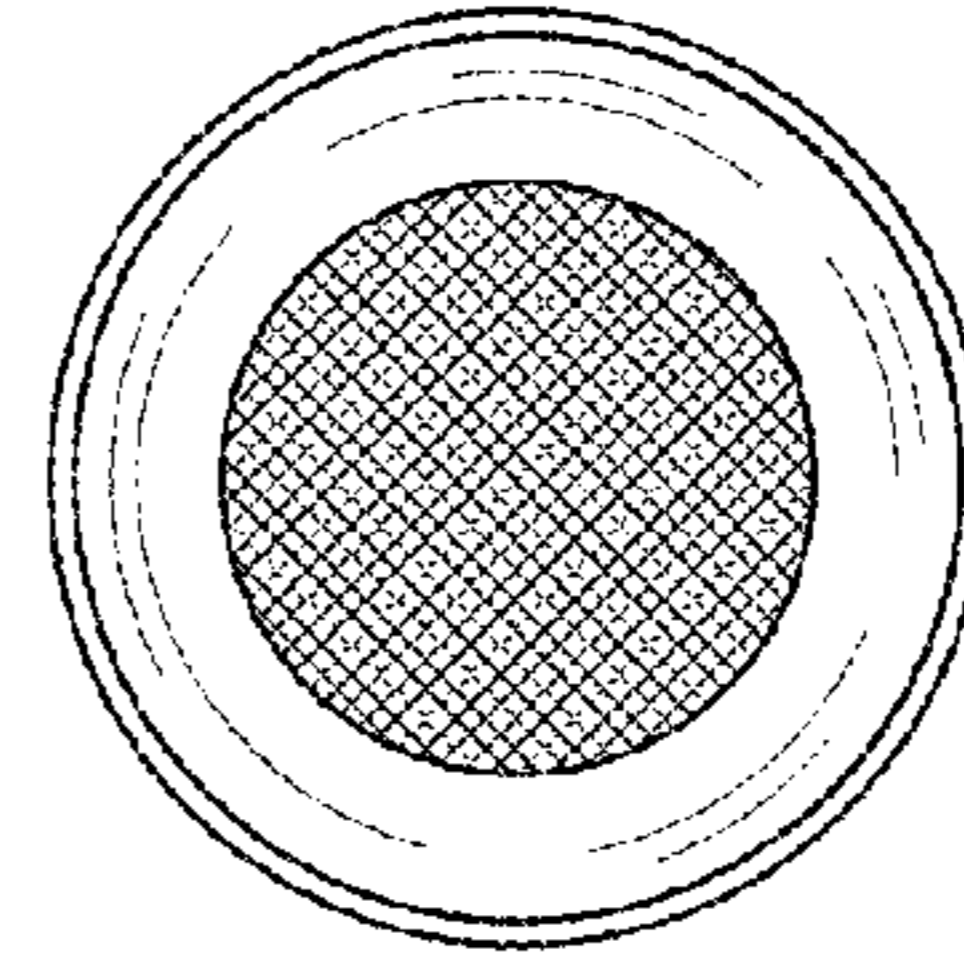


FIG. 4

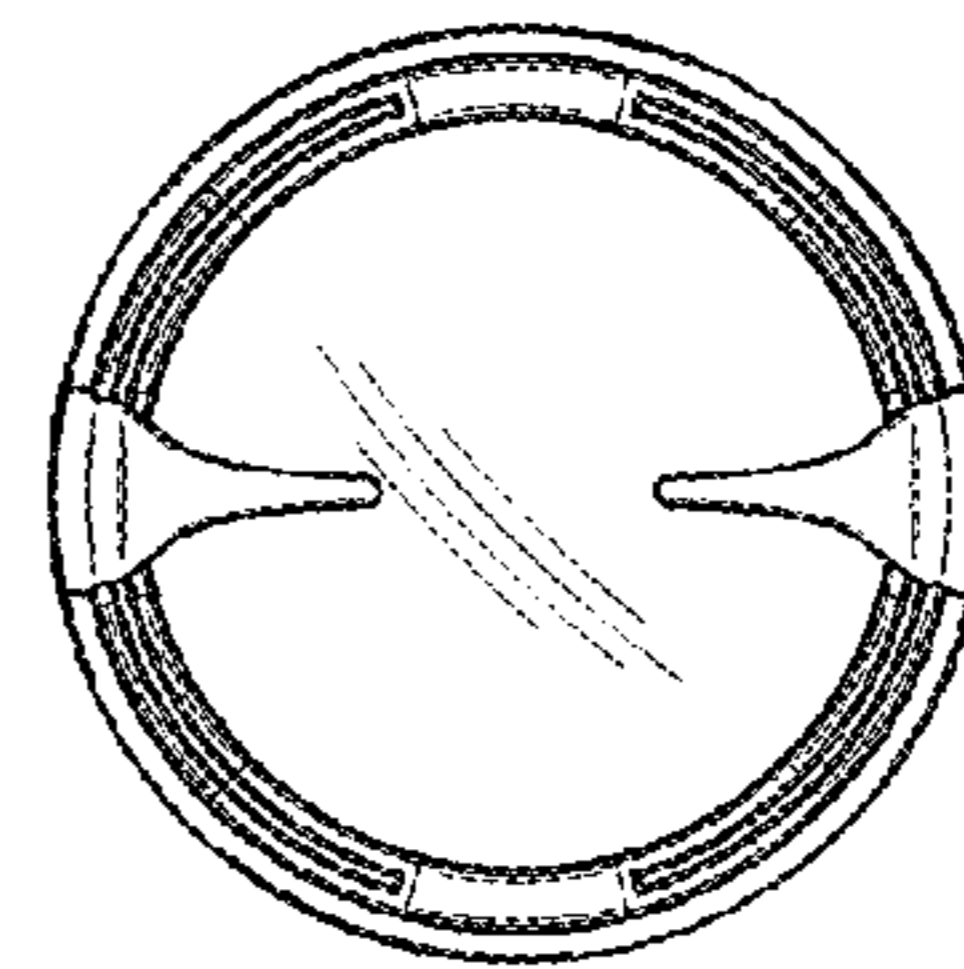


FIG. 3

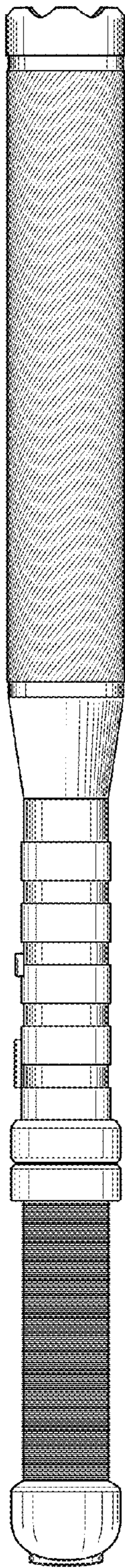


FIG. 5

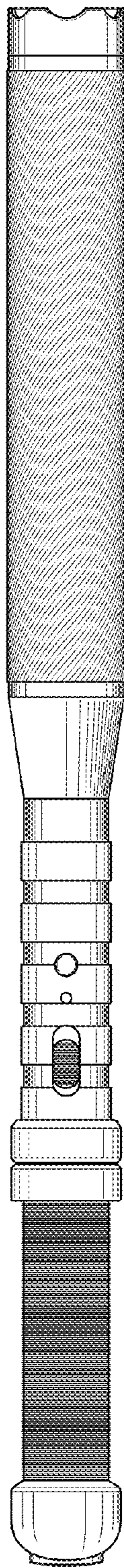


FIG. 6

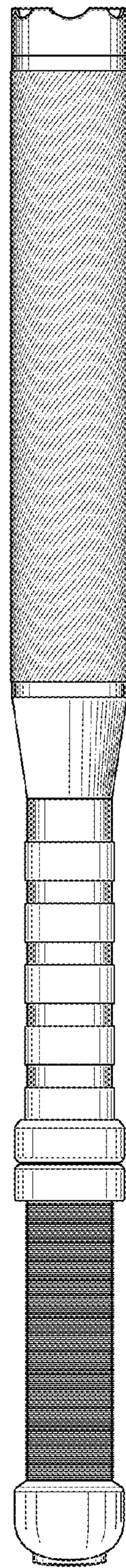


FIG. 7