



US00D691691S

(12) **United States Design Patent**
Sheikh et al.

(10) **Patent No.:** **US D691,691 S**
(45) **Date of Patent:** **** Oct. 15, 2013**

(54) **COMBINATION STUN GUN, BATON AND FLASHLIGHT**

(71) Applicants: **Yasar Sheikh**, Sanford, FL (US);
Shabbir Sheikh, Sanford, FL (US)

(72) Inventors: **Yasar Sheikh**, Sanford, FL (US);
Shabbir Sheikh, Sanford, FL (US)

(**) Term: **14 Years**

(21) Appl. No.: **29/437,248**

(22) Filed: **Nov. 14, 2012**

(51) **LOC (9) Cl.** **22-01**

(52) **U.S. Cl.**
USPC **D22/117; D26/38**

(58) **Field of Classification Search**
USPC **D22/117; D26/37-38, 40, 42, 46,**
D26/49.51; 362/157-158, 184, 194-208,
362/253

See application file for complete search history.

(56) **References Cited**

U.S. PATENT DOCUMENTS

4,968,034	A	11/1990	Hsieh	
D483,432	S	* 12/2003	Parsons D22/117
D513,334	S	12/2005	Galey	
D541,454	S	4/2007	Galey	
7,278,764	B2	10/2007	Kim	
D565,769	S	4/2008	Shiu	
D578,236	S	10/2008	Dalton	
D585,577	S	1/2009	Bonis	
D586,025	S	2/2009	Bonis	
D595,439	S	6/2009	Haight et al.	
D599,928	S	9/2009	Shiu	
D601,736	S	10/2009	Swan	
D603,988	S	11/2009	Sharrah	
D611,115	S	3/2010	Pennington	

D611,116	S	*	3/2010	Pennington	D22/117
D629,542	S		12/2010	Robinson		
D629,544	S		12/2010	Deguglimo et al.		
D629,546	S		12/2010	Deguglimo et al.		
D646,346	S		10/2011	Rae		
D647,232	S		10/2011	Liu		
D647,654	S		10/2011	Li		
D648,467	S		11/2011	Nguyen et al.		
D649,670	S		11/2011	Robinson		
D666,344	S		8/2012	Lee		
D674,943	S	*	1/2013	Sheikh et al.	D26/38

OTHER PUBLICATIONS

The Home Security Superstore, <http://www.thehomesecuritysuperstore.com/stun-guns-flashlight-stun-guns-sub=38>.

* cited by examiner

Primary Examiner — Catheri Oliver-Garcia

(74) *Attorney, Agent, or Firm* — QuickPatents; Kevin Prince

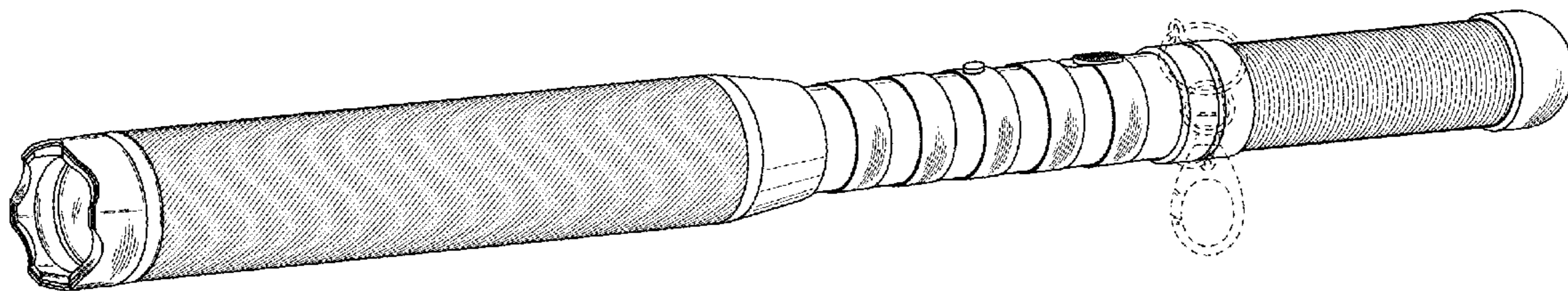
(57) **CLAIM**

We claim the ornamental design for a combination stun gun, baton and flashlight, as shown and described.

DESCRIPTION

FIG. 1 is a front perspective view of a combination stun gun, baton and flashlight, showing our new design;
FIG. 2 is a rear perspective view thereof;
FIG. 3 is a front elevational view thereof;
FIG. 4 is a rear elevational view thereof;
FIG. 5 is a right-side elevational view thereof, the left-side elevational view being a mirror image thereof;
FIG. 6 is a top plan view thereof; and,
FIG. 7 is a bottom plan view thereof.
The broken lines showing a clasp in FIG. 1 depict environmental matter and form no part of the claimed design.

1 Claim, 3 Drawing Sheets



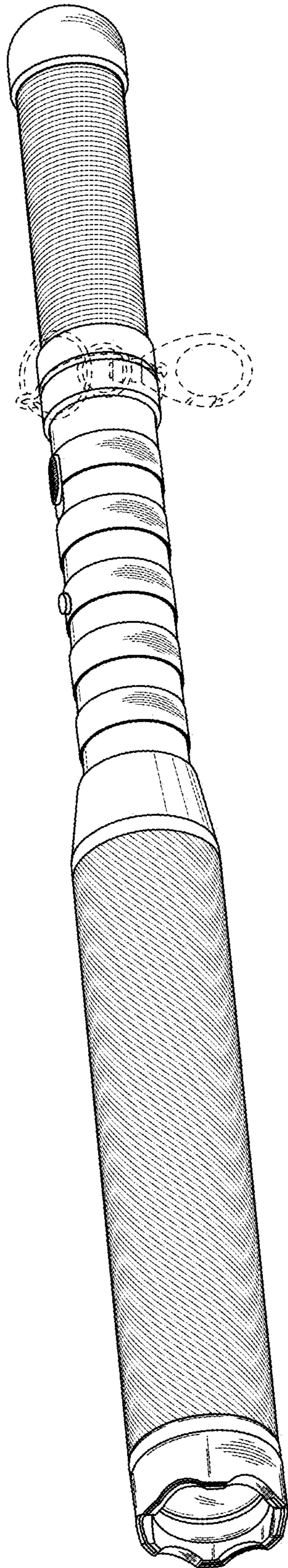


FIG. 1

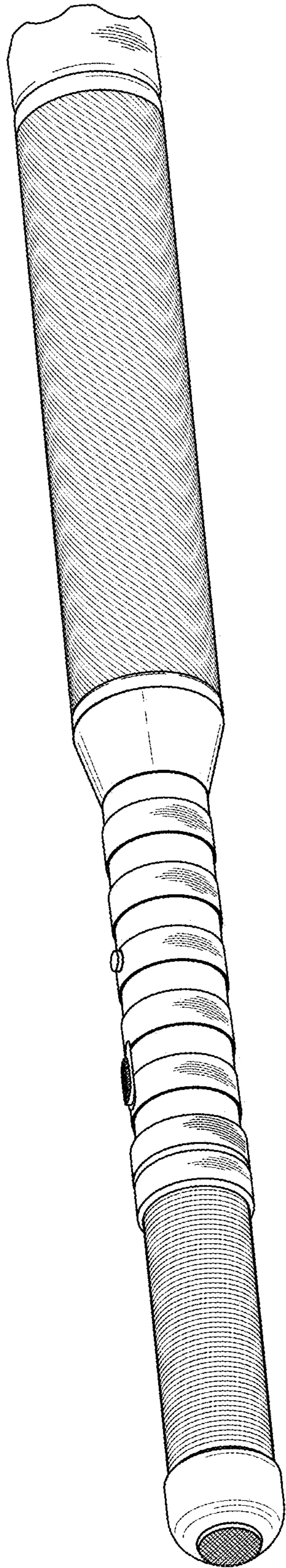


FIG. 2



FIG. 3

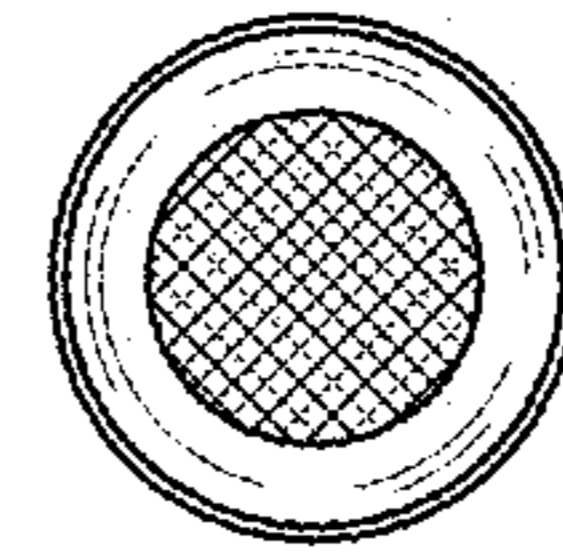


FIG. 4

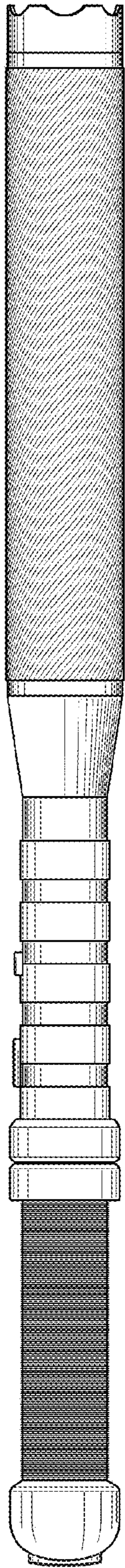


FIG. 5

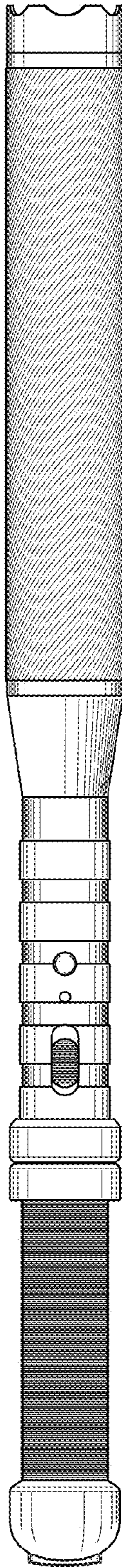


FIG. 6

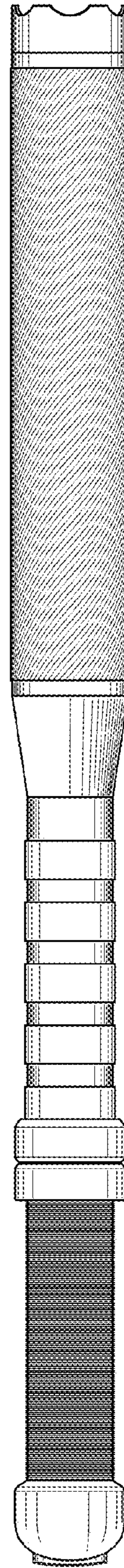


FIG. 7