



US00D691687S

(12) **United States Design Patent**
Leonard

(10) **Patent No.:** **US D691,687 S**
(45) **Date of Patent:** **** Oct. 15, 2013**

(54) **GOLF PUTTING STROKE TRAINING
DEVICE**

(71) Applicant: **Schalk J. Leonard**, Poulsbo, WA (US)

(72) Inventor: **Schalk J. Leonard**, Poulsbo, WA (US)

(73) Assignee: **Poulsbo Golf, LLC**, Poulsbo, WA (US)

(**) Term: **14 Years**

(21) Appl. No.: **29/439,336**

(22) Filed: **Dec. 10, 2012**

(51) **LOC (9) Cl.** **21-02**

(52) **U.S. Cl.**
USPC **D21/791**

(58) **Field of Classification Search**
USPC D21/789, 791, 792; 473/218, 221, 265,
473/173, 278, 251-257, 150, 157
See application file for complete search history.

(56) **References Cited**

U.S. PATENT DOCUMENTS

D234,526 S * 3/1975 Zawacki D21/319
D311,216 S * 10/1990 Simjian D21/790
D353,433 S * 12/1994 Erdoes et al. D21/792

D385,007 S * 10/1997 Perrin D21/792
D407,458 S * 3/1999 Soonlan D21/792
D462,734 S * 9/2002 Pelz D21/792
D508,725 S * 8/2005 Park D21/792
D508,971 S * 8/2005 Park D21/792
D534,233 S * 12/2006 Bullock D21/792
D670,348 S * 11/2012 Jacobson D21/791
D672,001 S * 12/2012 Whitfield D21/791

* cited by examiner

Primary Examiner — Mitchell Siegel

(74) *Attorney, Agent, or Firm* — David J. Dawsey; Michael J. Gallagher; Gallagher & Dawsey Co., LPA

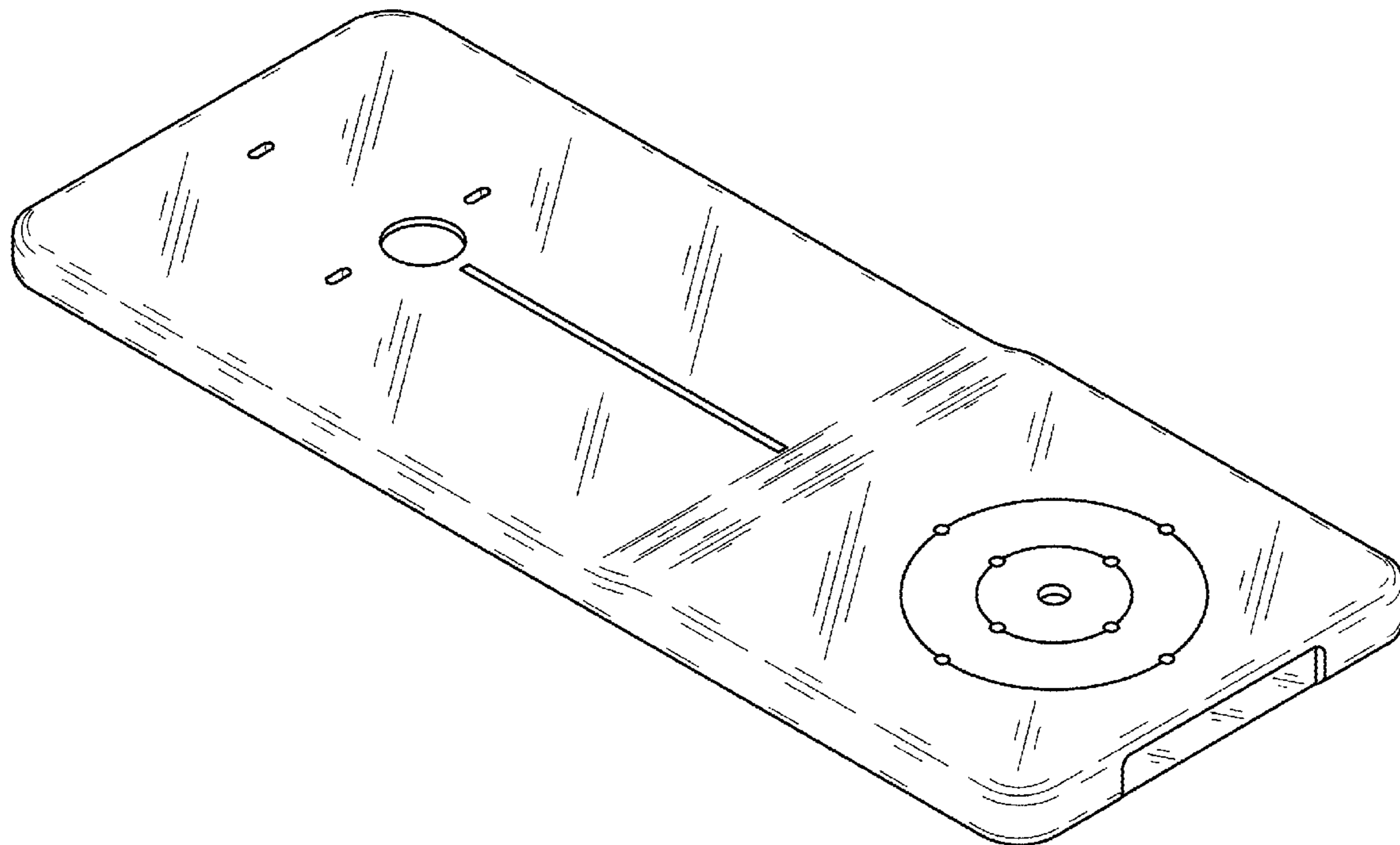
(57) **CLAIM**

I claim the ornamental design for a golf putting stroke training device, as shown and described.

DESCRIPTION

FIG. 1 is an isometric view of a golf putting stroke training device showing our new design;
FIG. 2 is a top plan view thereof;
FIG. 3 is a left side elevation view thereof;
FIG. 4 is a right side elevation view thereof;
FIG. 5 is a bottom plan view thereof;
FIG. 6 is a front side elevation view thereof; and,
FIG. 7 is a rear side elevation view thereof.

1 Claim, 3 Drawing Sheets



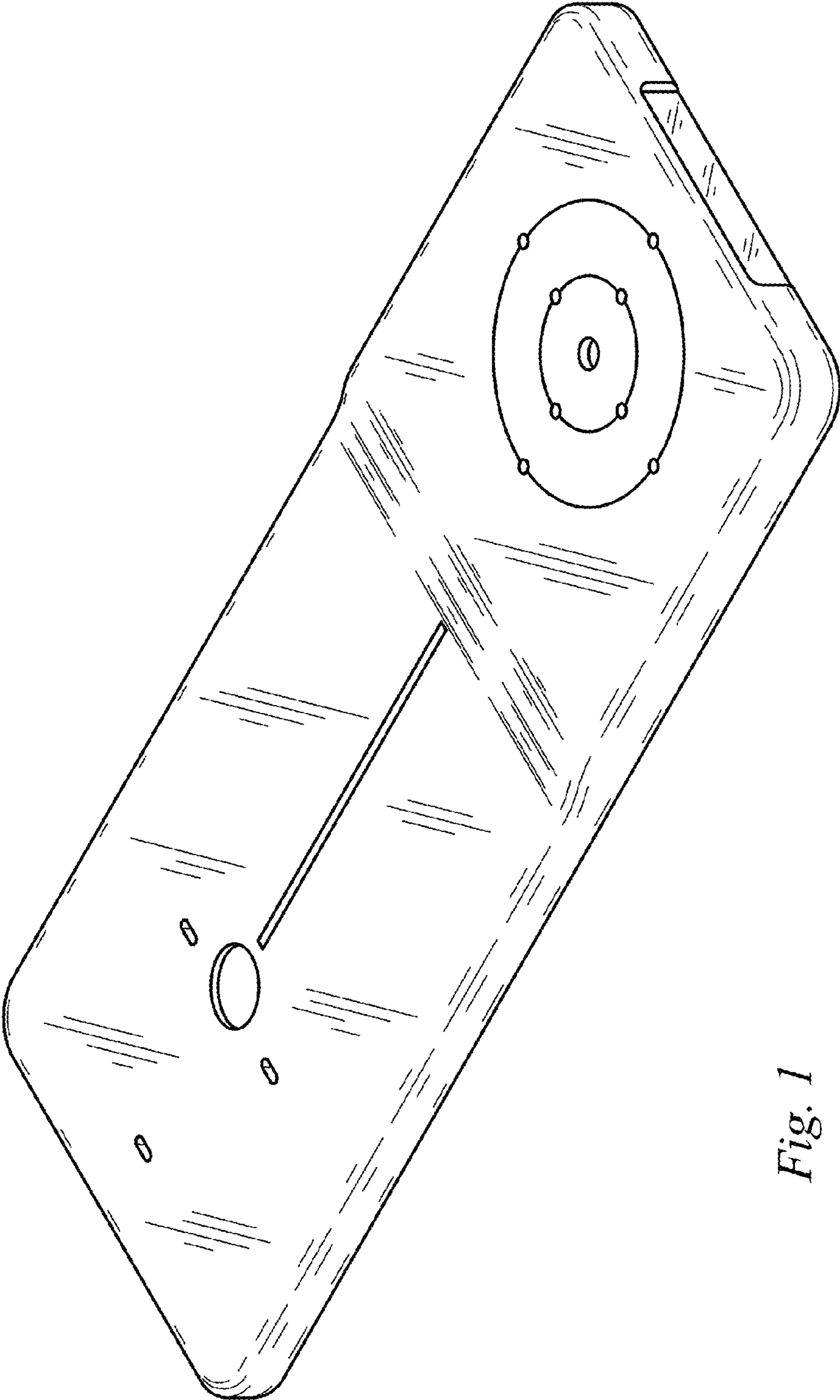


Fig. 1

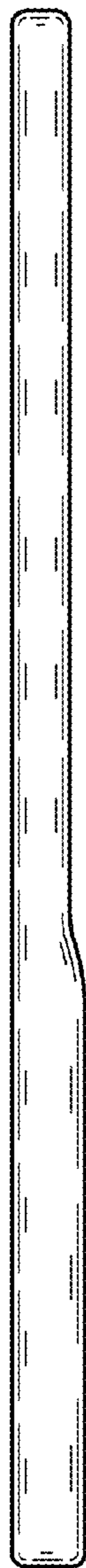


Fig. 3

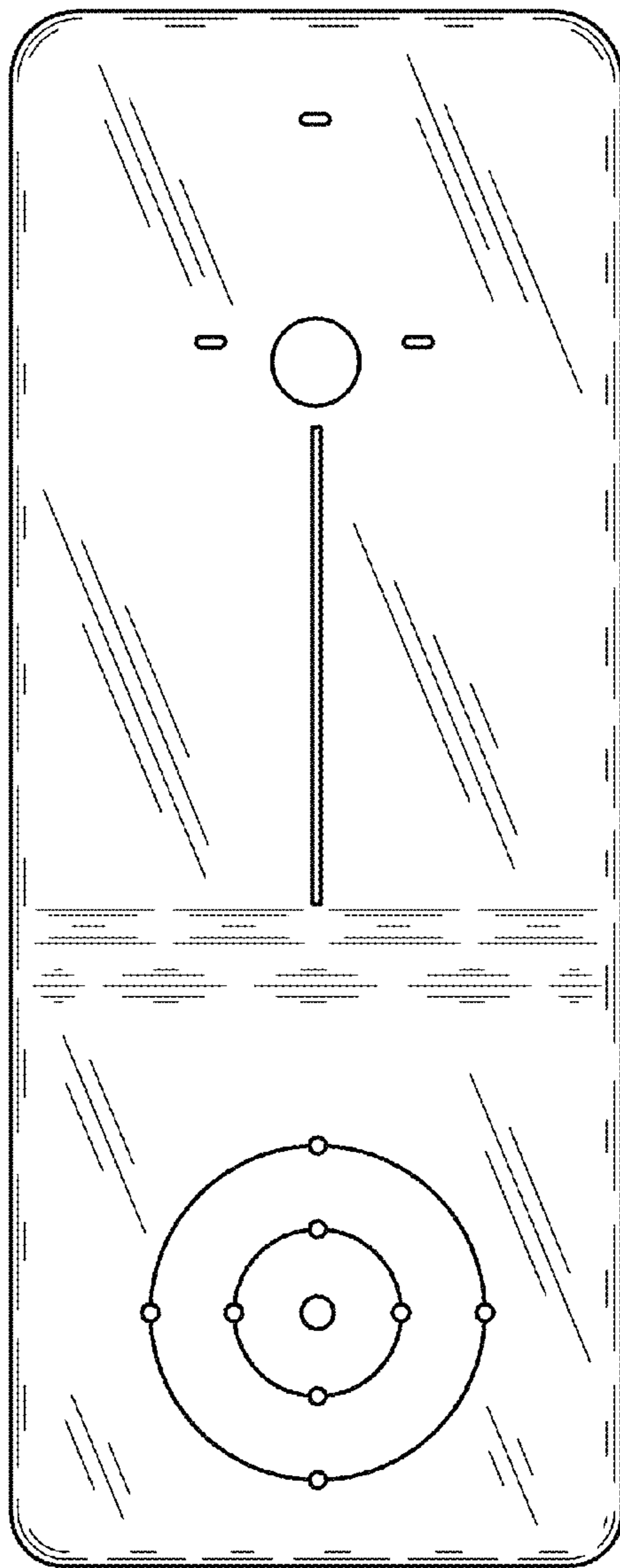


Fig. 2

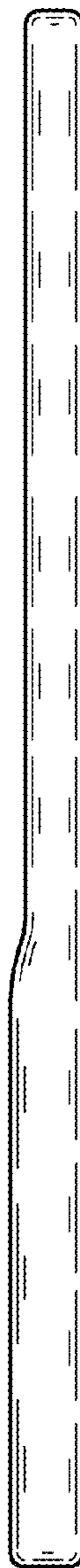


Fig. 4



Fig. 6

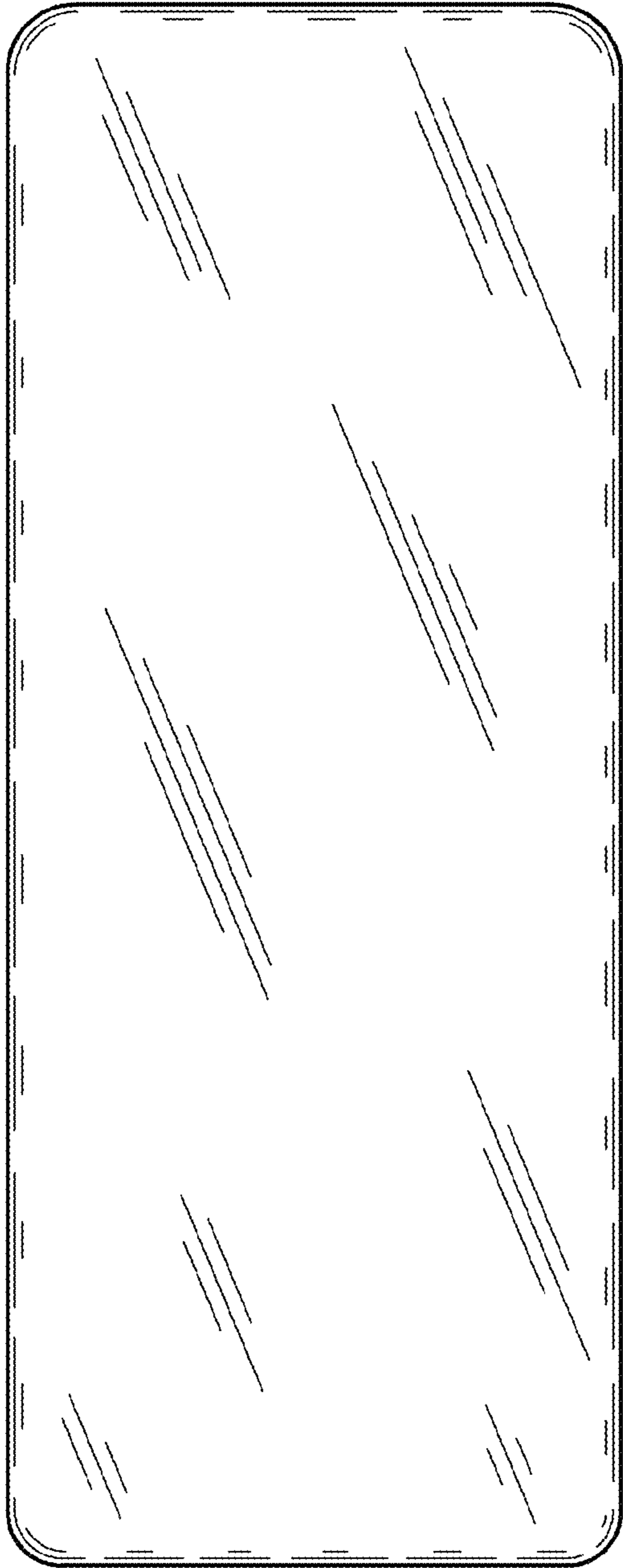


Fig. 5

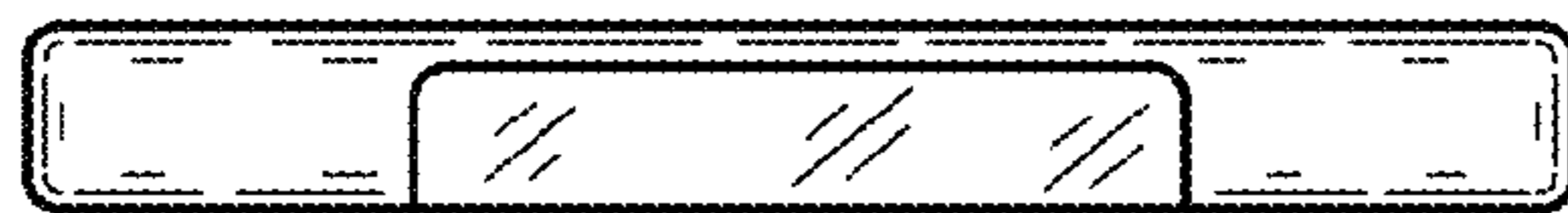


Fig. 7