

US00D691686S

(12) **United States Design Patent**
Yu et al.

(10) **Patent No.:** **US D691,686 S**
(45) **Date of Patent:** **** Oct. 15, 2013**

(54) **DOWNHILL ALL-TERRAIN BOARD**

(75) Inventors: **Long Yu**, Dalian (CN); **Richard Miller**, Greenwood, IN (US)

(73) Assignee: **M.Y. Products, LLC**, Greenwood, IN (US)

(**) Term: **14 Years**

(21) Appl. No.: **29/419,095**

(22) Filed: **Apr. 25, 2012**

(51) **LOC (9) Cl.** **21-02**

(52) **U.S. Cl.**
USPC **D21/765**

(58) **Field of Classification Search**
USPC D21/760, 765, 771, 419, 421, 423, D21/426; 280/7.1-7.6, 10, 87.01, 87.021, 280/87.03, 87.041, 87.042, 11.115, 11.27, 280/11.28, 14.22, 844; 180/180, 181
See application file for complete search history.

(56) **References Cited**

U.S. PATENT DOCUMENTS

4,337,961 A * 7/1982 Covert et al. 280/87.042
5,305,846 A * 4/1994 Martin 180/181

5,580,096 A * 12/1996 Freilich 280/844
5,934,706 A * 8/1999 Yiu 280/844
6,007,074 A * 12/1999 Tarnng 280/11.115
6,435,290 B1 * 8/2002 Justus et al. 180/9.1
D561,288 S * 2/2008 Jordan D21/765
7,458,592 B2 * 12/2008 Maratta 280/87.041
7,575,075 B2 * 8/2009 Fairhead 180/6.7

* cited by examiner

Primary Examiner — Cynthia M Chin

(74) *Attorney, Agent, or Firm* — Woodard, Emhardt, Moriarty, McNett & Henry LLP

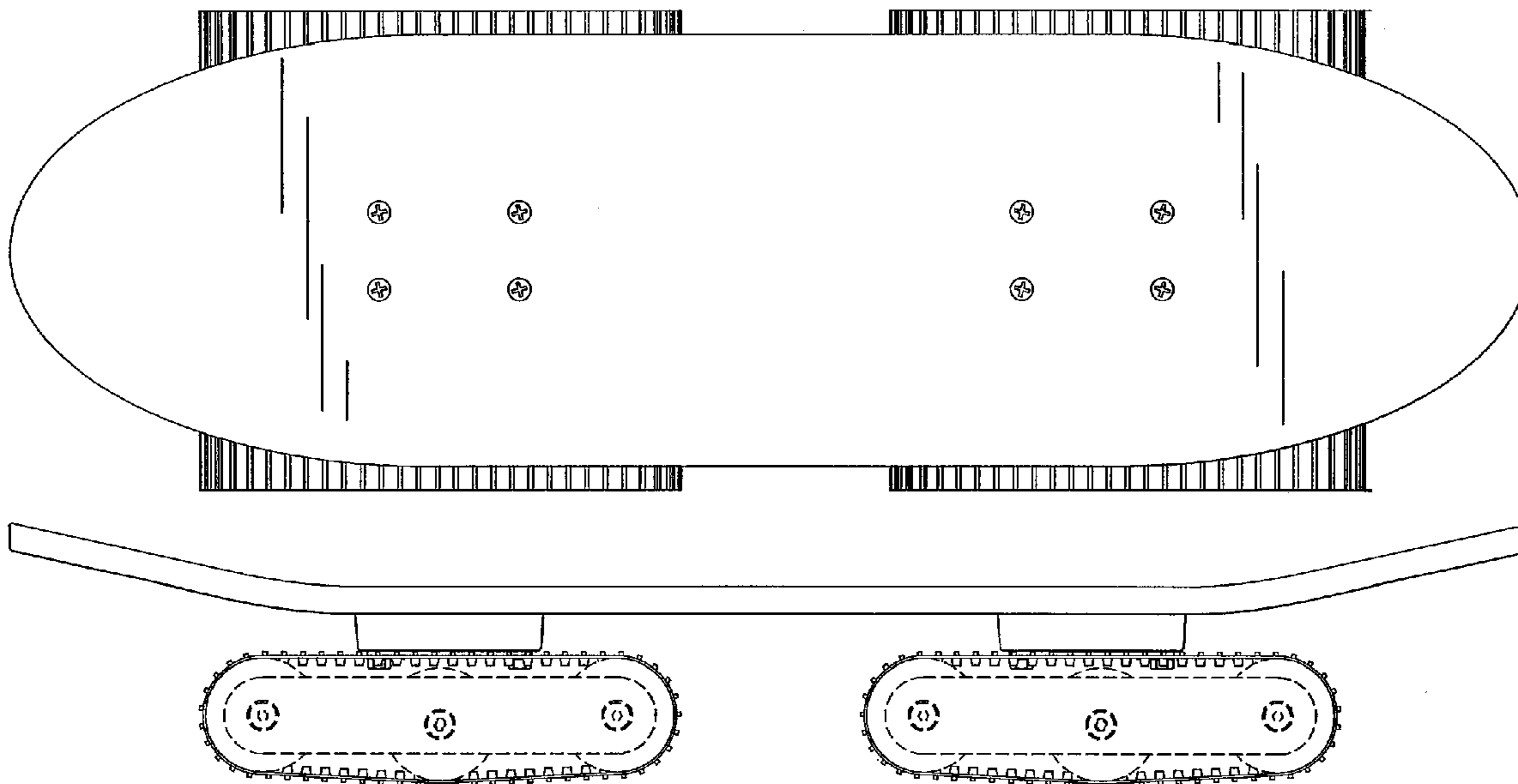
(57) **CLAIM**

The ornamental design for a downhill all-terrain board, as shown and described.

DESCRIPTION

FIG. 1 is a top view of the board incorporating my new design; FIG. 2 is a front view thereof with the rear view being identical; FIG. 3 is a bottom view thereof; and, FIG. 4 is an end view thereof with the opposite end view being identical.
The broken lines in FIG. 2 represent portions of the article that form no part of the claim.

1 Claim, 2 Drawing Sheets



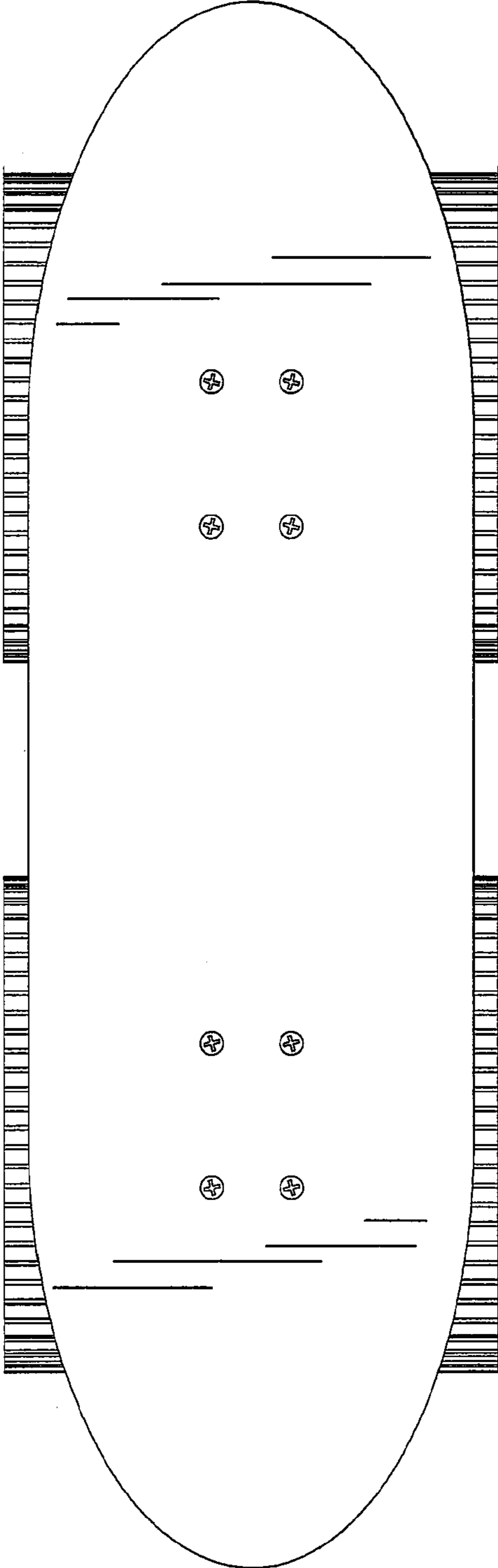


Fig. 1

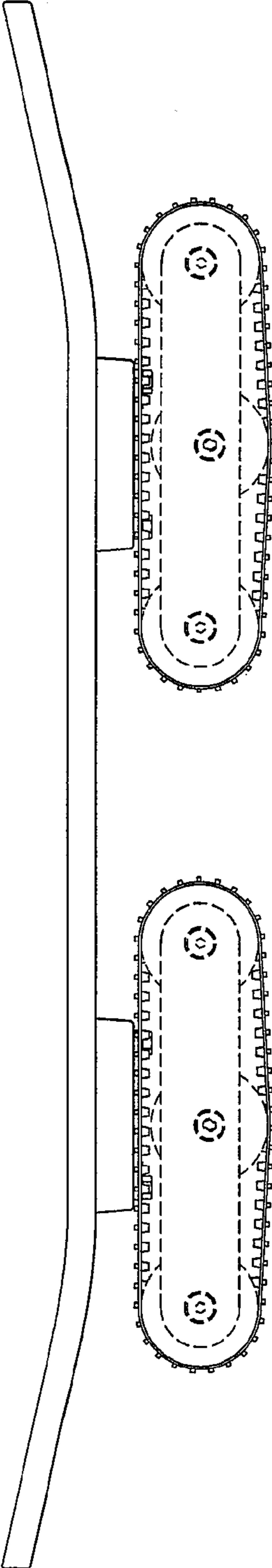


Fig. 2

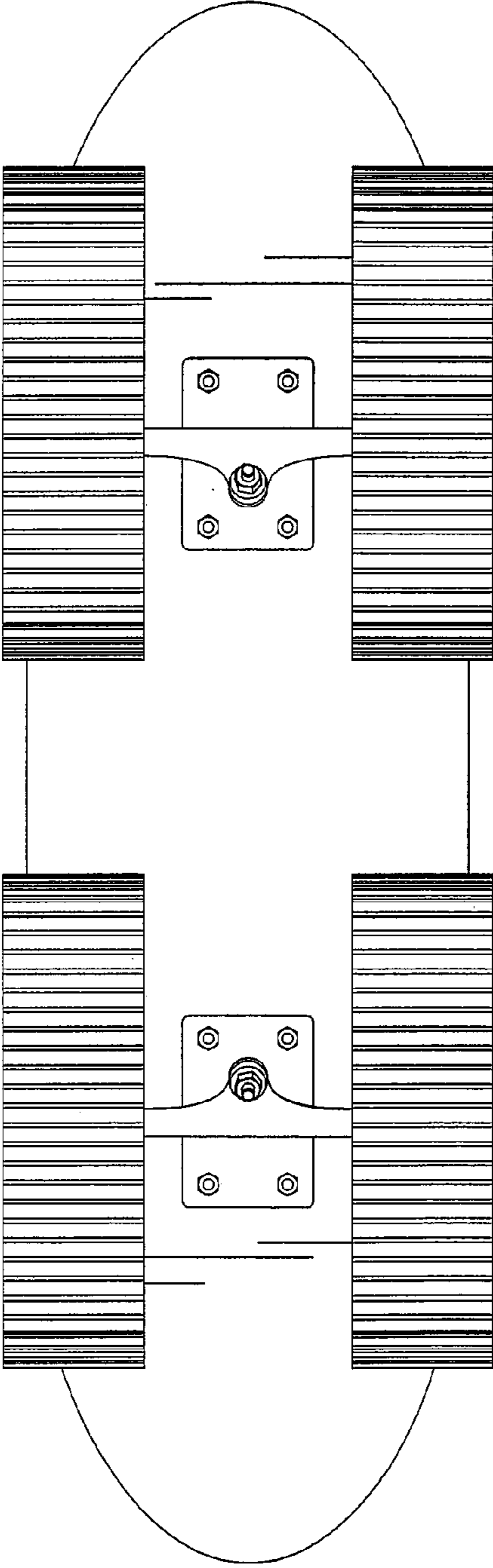


Fig. 3

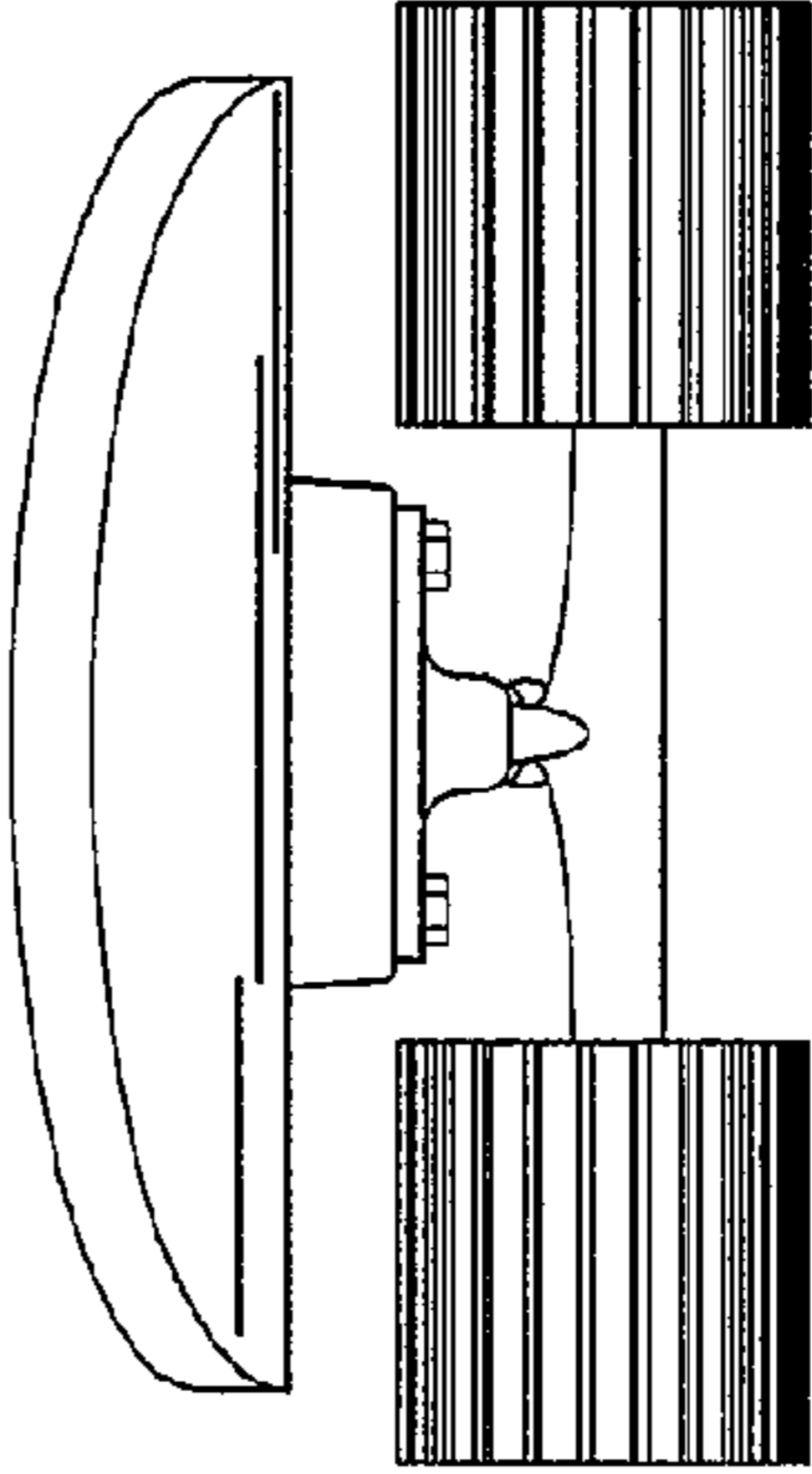


Fig. 4