

US00D691679S

(12) **United States Design Patent**
Barrett

(10) **Patent No.:** **US D691,679 S**
(45) **Date of Patent:** **** Oct. 15, 2013**

(54) **GOLF BALL HAVING THREE COLORED PARALLEL LINES**

4,741,535 A 5/1988 Leonhardt
4,991,838 A 2/1991 Groves
5,133,556 A 7/1992 Karasavas

(76) Inventor: **W. Raymond Barrett**, St. Louis, MO
(US)

(Continued)

(**) Term: **14 Years**

FOREIGN PATENT DOCUMENTS

(21) Appl. No.: **29/431,250**

CN 300788288 * 6/2008
CN 300897422 * 3/2009

(22) Filed: **Sep. 5, 2012**

(Continued)

(51) **LOC (9) Cl.** **21-02**

(52) **U.S. Cl.**
USPC **D21/708**; D21/707

OTHER PUBLICATIONS

(58) **Field of Classification Search**
USPC D21/707-714; D30/160; D11/121;
473/52, 53, 125-130, 280, 281,
473/351-385, 413, 569-615,
473/FOR. 134-FOR. 167; 40/327; 428/11
See application file for complete search history.

TaylorMade Monza Rossa Putter, <<http://www.bestvaluegolf.com/tamamopu.html>>, 1 page.

(Continued)

Primary Examiner — Catherine Tuttle
(74) *Attorney, Agent, or Firm* — Senniger Powers LLP

(56) **References Cited**

(57) **CLAIM**

The ornamental design for a golf ball having three colored parallel lines, as shown and described.

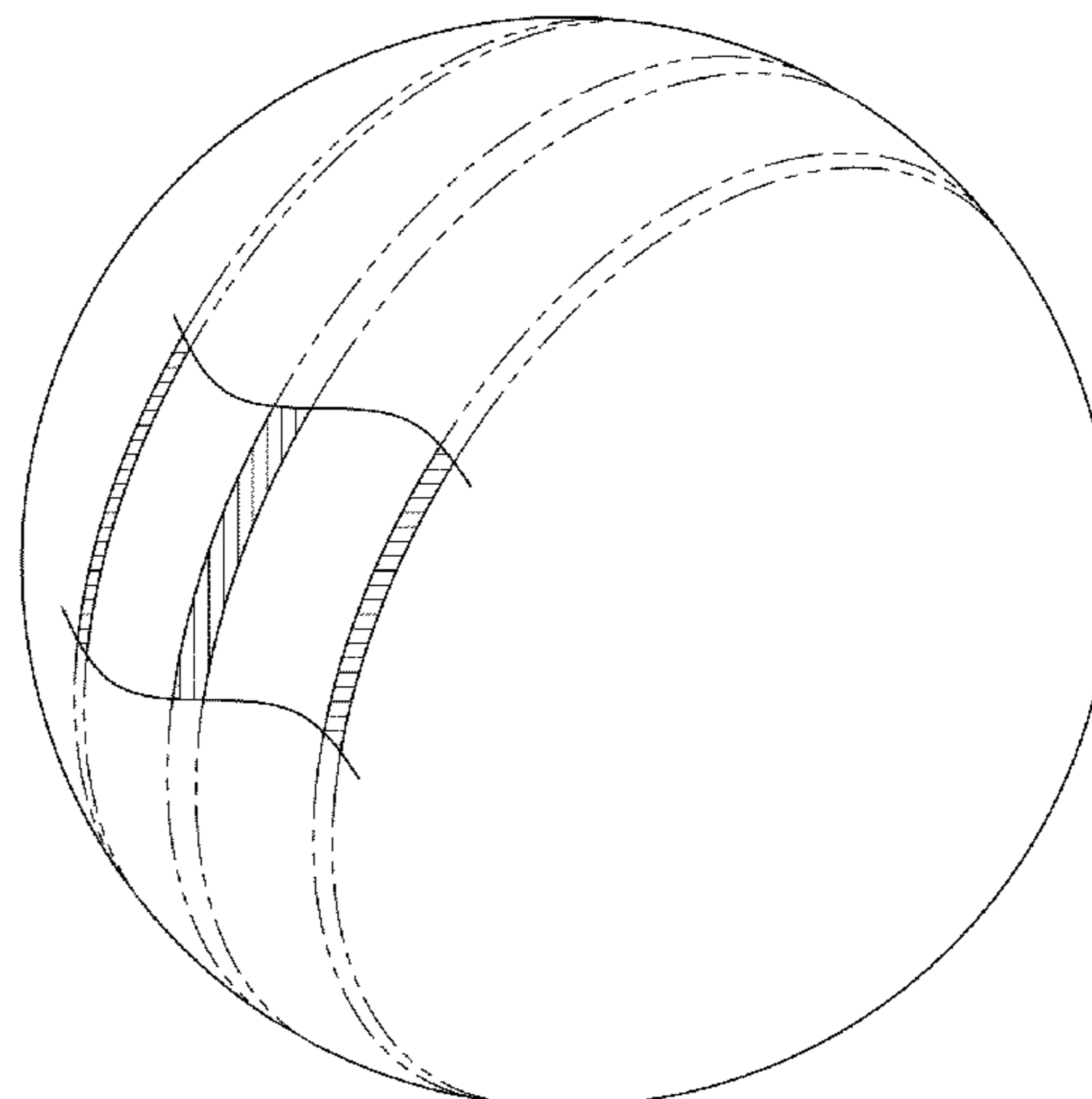
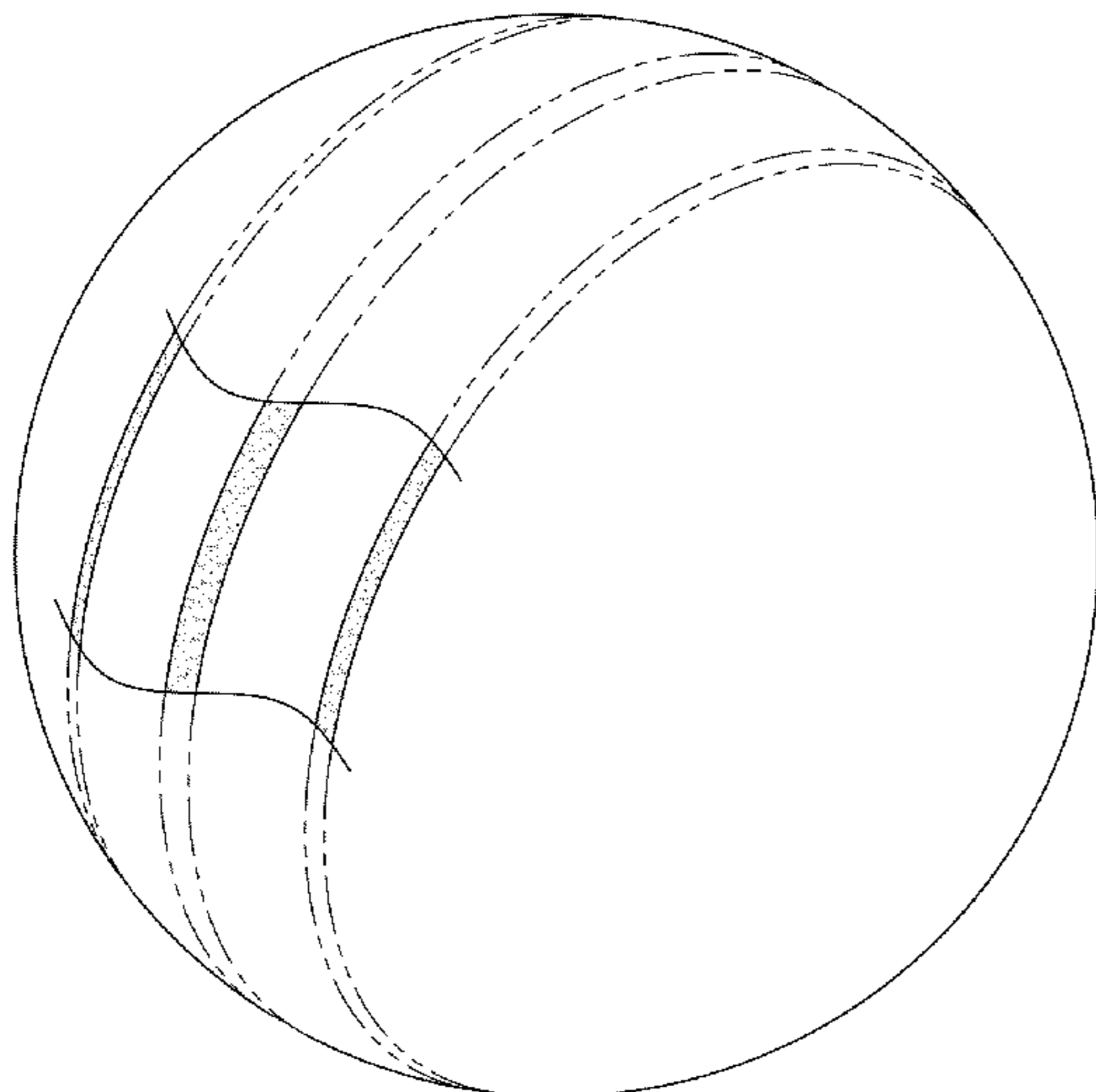
U.S. PATENT DOCUMENTS

DESCRIPTION

109,204 A *	11/1870	Hartz	446/247
D5,556 S	2/1872	Pettengill	
D20,187 S	10/1890	Herrick	
D27,441 S	7/1897	Dunn	
676,506 A	6/1901	Knight et al.	
D55,413 S	6/1920	Cigol	
D61,805 S	1/1923	Griffiths	
D61,806 S	1/1923	Griffiths	
D141,546 S	6/1945	Glass	
2,707,595 A	5/1955	Brown	
2,709,595 A	5/1955	De Vries	
3,318,598 A	5/1967	Ruskin	
3,829,348 A	8/1974	Spiegel et al.	
4,209,172 A	6/1980	Yamamoto	
4,235,441 A	11/1980	Ciccarello	
4,258,921 A	3/1981	Worst	
4,266,773 A	5/1981	Treadwell	
4,603,862 A	8/1986	Chen	

FIG. 1 is a perspective view of a first embodiment of a golf ball with indicia in the form of three colored parallel lines according to the present invention.
FIG. 2 is a top plan view thereof.
FIG. 3 is a side view thereof.
FIG. 4 is a perspective view of a second embodiment of a golf ball according to the present invention having two blue, spaced apart parallel outer lines and a red line between and parallel to the two blue lines.
FIG. 5 is a top plan view of FIG. 4; and,
FIG. 6 is a side view of FIG. 4.
The shading in FIGS. 1-3 represents a color contrast consonant with the visual appearance shown in the drawings. In FIGS. 4-6, the lines are lined for color.

1 Claim, 6 Drawing Sheets



(56)

References Cited

U.S. PATENT DOCUMENTS

D329,485 S * 9/1992 Hollinger D21/795
 5,427,378 A 6/1995 Murphy
 5,437,446 A 8/1995 Youngkin
 5,439,224 A 8/1995 Bertoncino
 D369,192 S 4/1996 Imswiler
 D370,705 S 6/1996 Cullen, III
 5,564,707 A 10/1996 Dinh
 5,662,530 A 9/1997 Sellar
 5,713,799 A 2/1998 Balmat
 D408,481 S 4/1999 Disco
 D411,599 S 6/1999 Sullivan
 D414,229 S 9/1999 Sohn
 D415,541 S 10/1999 Stahl et al.
 D417,477 S 12/1999 Sullivan
 6,213,012 B1 4/2001 Arms
 6,231,459 B1 5/2001 Pettigrew et al.
 D458,978 S 6/2002 Lombardi
 6,422,949 B1 7/2002 Byrne et al.
 6,453,807 B1 9/2002 Ramey
 D487,911 S 3/2004 Cheney
 D523,100 S 6/2006 Sano
 7,223,178 B2 5/2007 Henry
 D544,930 S 6/2007 Farrell
 7,691,005 B2 * 4/2010 Mitsuba 473/280
 D627,020 S 11/2010 Martin
 7,963,869 B2 6/2011 Boyer et al.
 D655,358 S * 3/2012 Barrett D21/708
 D669,550 S * 10/2012 Nelson D21/782
 8,403,768 B2 * 3/2013 Aittola 473/280
 2002/0002086 A1 1/2002 Inoue et al.
 2003/0144068 A1 7/2003 Yang
 2004/0220001 A1 11/2004 Oister et al.
 2005/0170920 A1 8/2005 Boyer et al.
 2006/0293113 A1 12/2006 Pelz
 2007/0084095 A1 * 4/2007 Wellington 40/327
 2008/0096691 A1 4/2008 Kang
 2008/0305880 A1 12/2008 Brown
 2011/0207553 A1 * 8/2011 Reid et al. 473/353
 2012/0028726 A1 2/2012 Aittola
 2012/0258815 A1 10/2012 Barrett

FOREIGN PATENT DOCUMENTS

CN 301968362 * 6/2012
 GB 2043359 1/1996
 GB 2051948 1/1996
 GB 2077843 2/1999

WO 00/67853 11/2000
 WO D071271-022 * 6/2009
 WO 2012/138598 A2 10/2012

OTHER PUBLICATIONS

Golfer's Avenue, Golf Putting Aids, <http://www.golfersavenue.com/golf-putting-aids.html>, Jun. 27, 2011, 2 pages.
 Westheimer, G., Visual Acuity, in Moses RA, Hart WM, editor. Chapter 7 of Adler's Physiology of the Eye, Ninth Edition, Clinical application St. Louis, Missouri: The C.V. Mosby Company, 1987, 19 pages.
 Westheimer, G., Visual acuity and spatial modulation thresholds. In: Jameson D., Hurvich LM, editor. Handbook of sensory physiology. Visual psychophysics. vol. 7. Berlin: Springer-Verlag; 1972, pt. 4, pp. 170-187.
 Striped Table Tennis Ball shown on webpage: <http://www.activinstinct.com/table-tennis/balls/adidas-stripes-table-tennis-ballbox-of-6/#> Retrieved on Aug. 21, 2010, 1 page.
 Sayim, Bilge et al., Contrast polarity, chromaticity, and stereoscopic depth modulate contextual interactions in vernier acuity, Journal of Vision, <http://jov.journalofvision.org/8/8/12/article.aspx>, Feb. 9, 2011, 15 pages.
 D.W. Quail Golf, In-Line Golf Ball Line Marking Kit, <http://www.dwquailgolf.com/training/inline.html>, Jun. 29, 2011, 2 pages.
 Taylor Made Golf, "Easy-To-See Alignment Lines", <<http://www.taylormadegolf.com/products/putters/Ghost-Series-putter/product-detail-technology/params/easy-to-see-alignment-line-technology>>, dated May 5, 2011, 2 pages.
 Ping, "Easy Alignment", <<http://www.ping.com/clubs/puttersdetail.aspx?id=8499&tid=515>>, dated May 5, 2011, 1 page.
 Scotty Cameron, "Studio Select ® Squareback 1", <<http://www.scottycameron.com/putters/puttermodel.aspx?id=386>>, dated May 5, 2011, 1 page.
 Scotty Cameron, "Studio Select ® Fastback 1.5", <<http://www.scottycameron.com/putters/puttermodel.aspx?id=385>>, dated May 5, 2011, 1 page.
 Edel Golf (<http://edelgolf.com>), Edel Golf and AimPoint Technologies Form Strategic Partnership, Press Release, pp. 1-5, Jan. 28, 2010, Austin, Texas (http://edelgolf.com/index.php?option=com_content&task=article&id=22&Itemid=14&j=ns).

* cited by examiner

FIG. 1

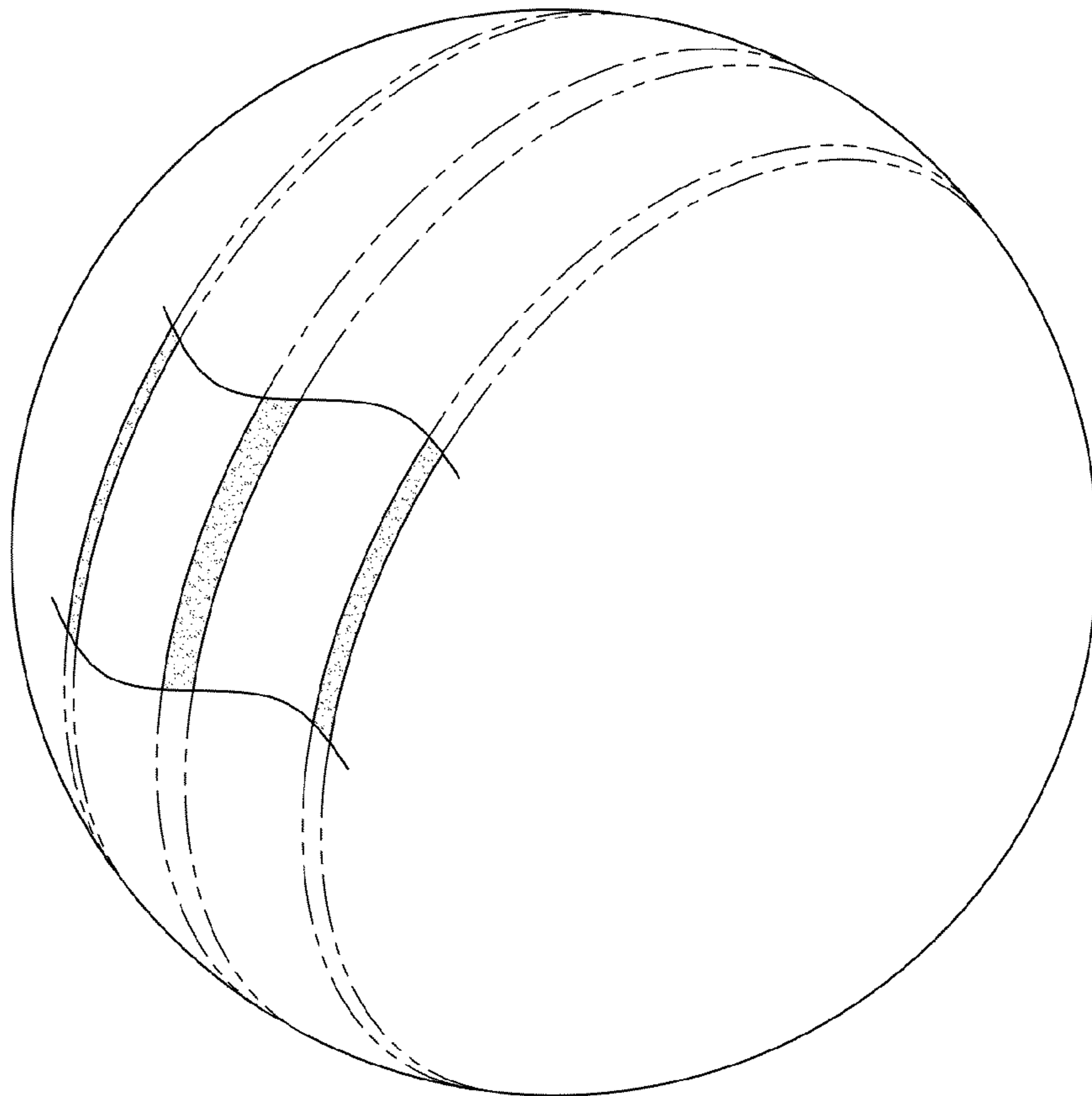


FIG. 2

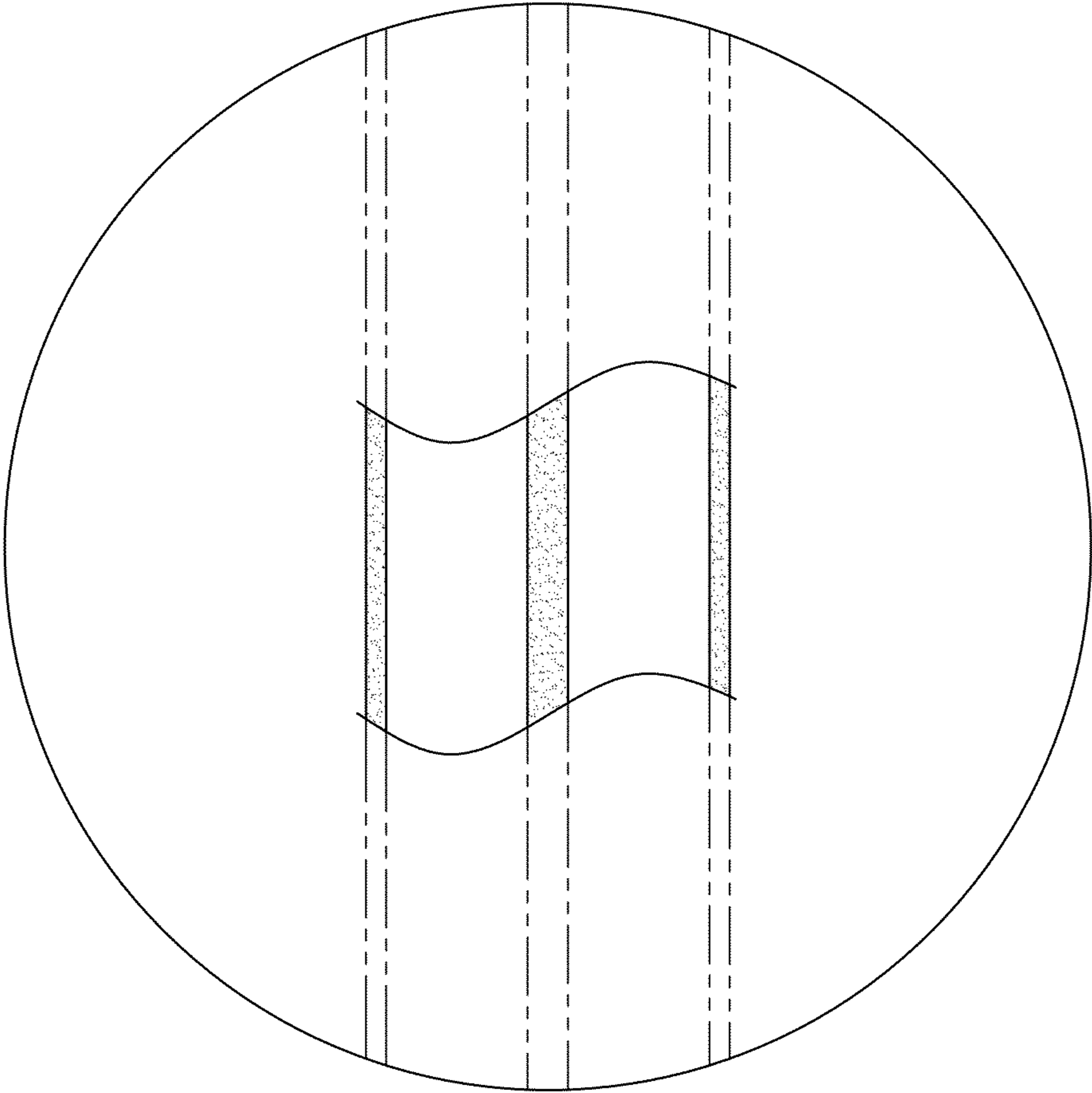


FIG. 3

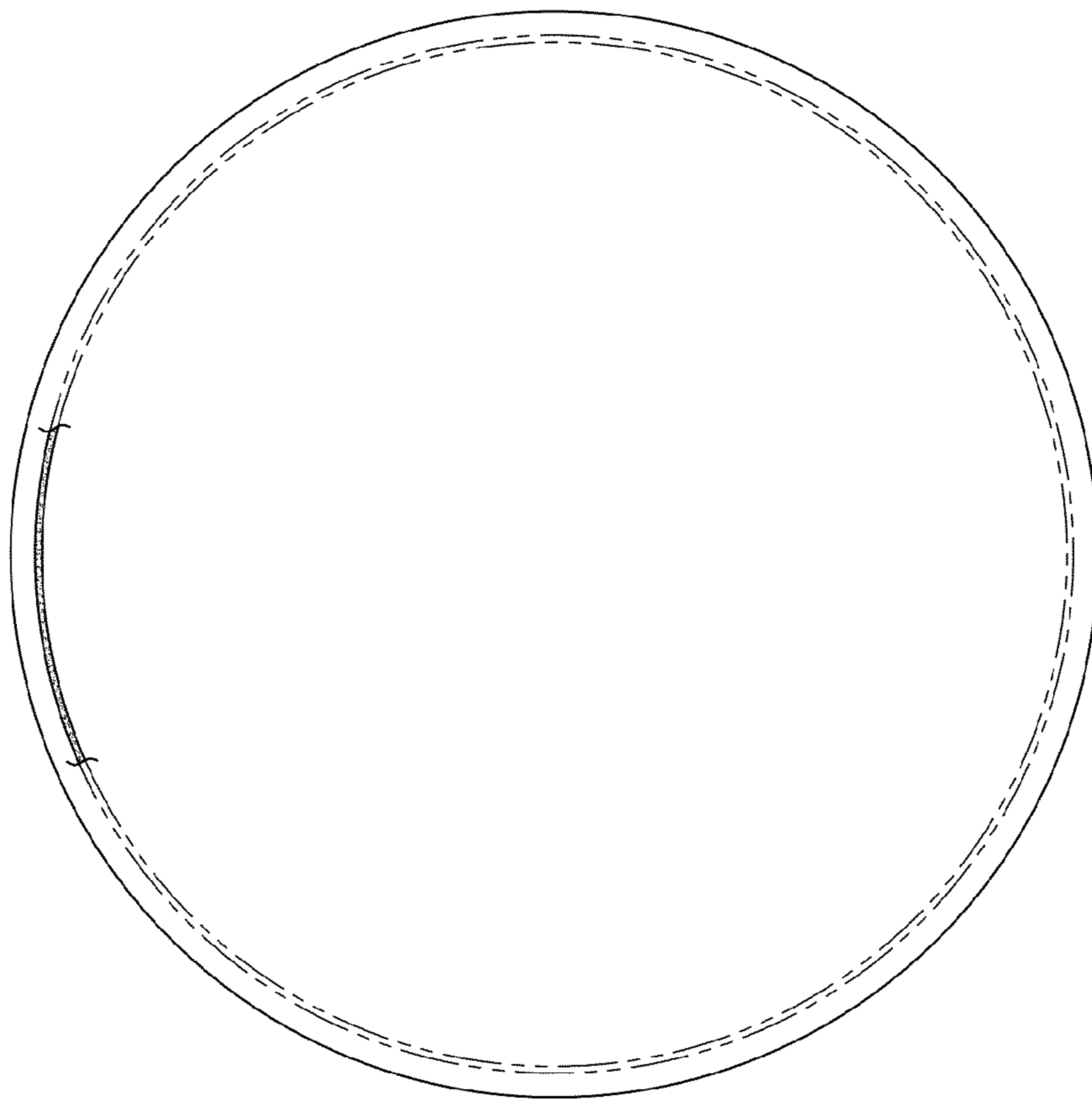


FIG. 4

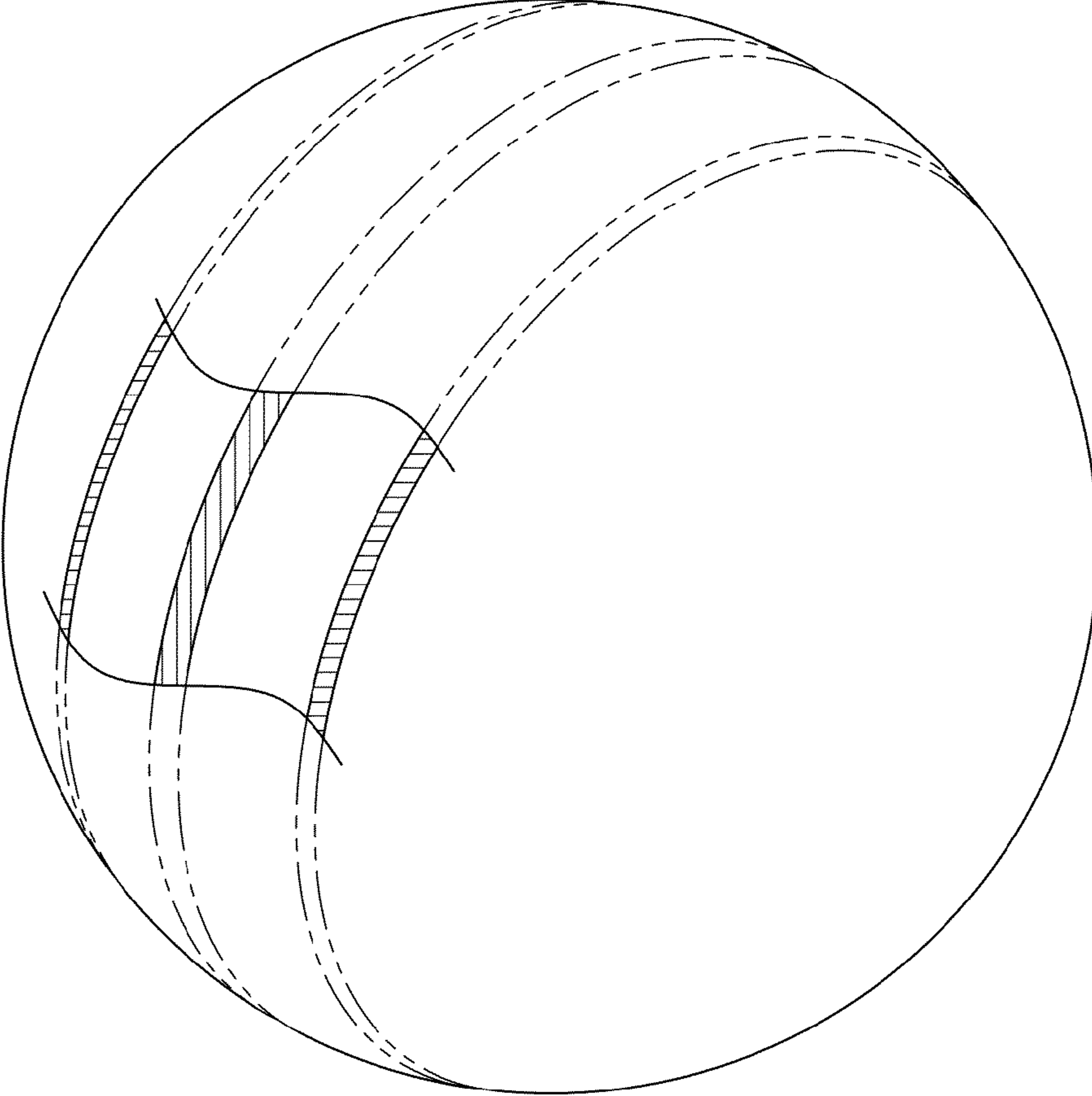


FIG. 5

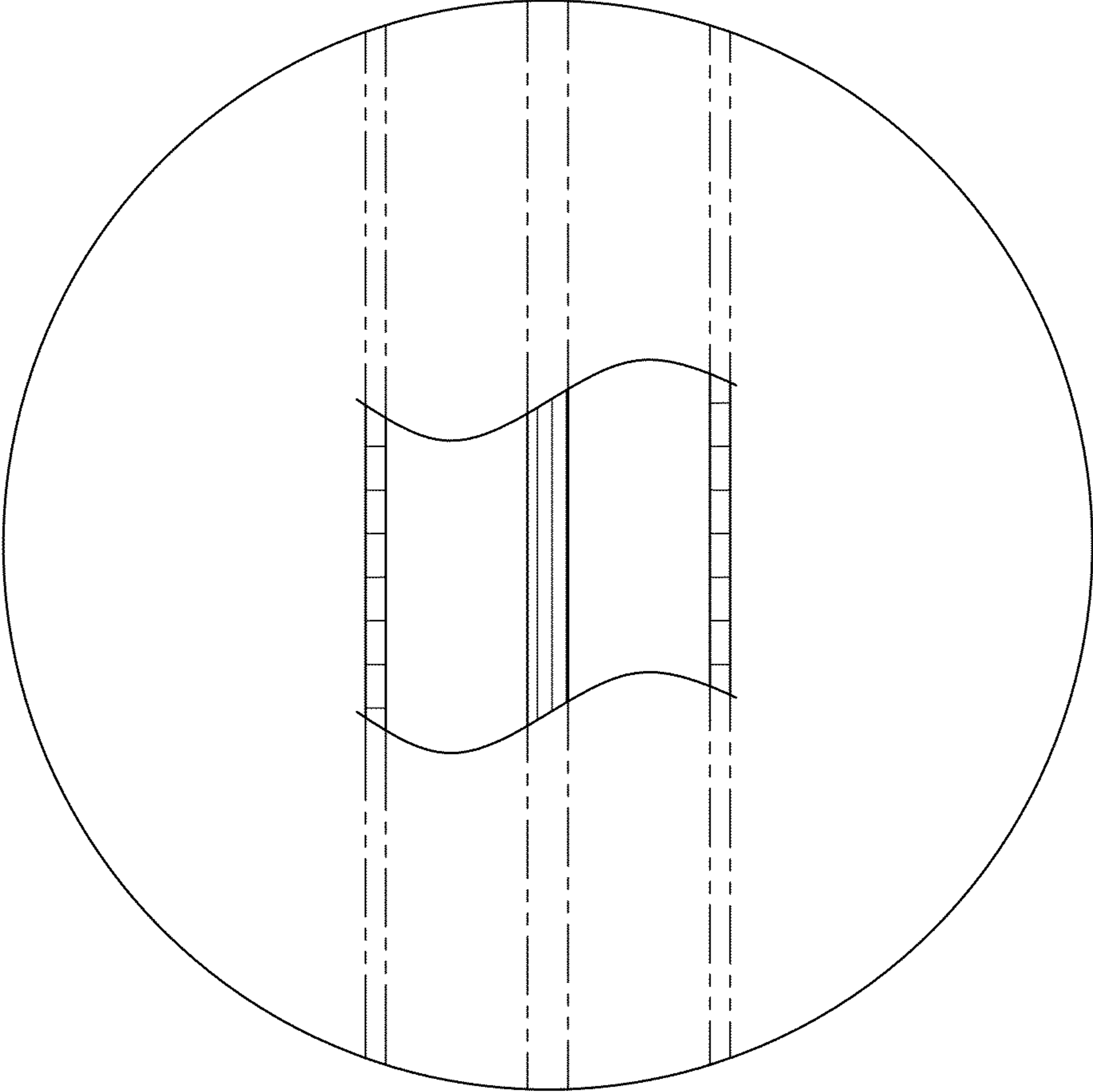


FIG. 6

